



US00D789545S

(12) **United States Design Patent** (10) **Patent No.:** **US D789,545 S**
Pippel et al. (45) **Date of Patent:** **** Jun. 13, 2017**

- (54) **USER INTERFACE FOR ULTRASOUND DEVICE**
- (71) Applicant: **Access Business Group International LLC**, Ada, MI (US)
- (72) Inventors: **Bradley J. Pippel**, Grandville, MI (US); **Muchen Wu**, Kentwood, MI (US); **Michael E. Miles**, Grand Rapids, MI (US); **David J. Anderson**, Ada, MI (US)
- (73) Assignee: **Access Business Group International LLC**, Ada, MI (US)
- (**) Term: **15 Years**
- (21) Appl. No.: **29/564,488**
- (22) Filed: **May 13, 2016**
- (51) **LOC (10) Cl.** **24-01**
- (52) **U.S. Cl.**
USPC **D24/186; D24/187**
- (58) **Field of Classification Search**
USPC D24/158-161, 185, 186, 107, 187; D13/168, 169, 171, 174
CPC ... A61B 8/4405; A61B 8/4411; A61B 8/4427; A61B 8/462; A61B 8/0437; A61B 8/0883; A61B 8/4444; A61B 8/4455; A61B 8/4483; A61B 8/4461
See application file for complete search history.

- (56) **References Cited**
U.S. PATENT DOCUMENTS
- | | | | |
|--------------|---------|-----------------|---------|
| D452,012 S | 12/2001 | Phillips | |
| D459,315 S | 6/2002 | Harris et al. | |
| D506,260 S | 6/2005 | Ryan | |
| D533,514 S | 12/2006 | Hidalgo | |
| D541,225 S * | 4/2007 | Katsuyama | D13/168 |
| D544,605 S | 6/2007 | Gumisawa et al. | |
| D545,433 S | 6/2007 | Messerly et al. | |

- | | | | |
|--------------|---------|-------------------|---------|
| D553,249 S | 10/2007 | Wakisaka et al. | |
| D572,206 S | 7/2008 | Ikeda et al. | |
| D584,244 S * | 1/2009 | Ohlert | D13/171 |
| D616,993 S | 6/2010 | Muis et al. | |
| D667,557 S | 9/2012 | Boudier | |
| D695,405 S | 12/2013 | Moon et al. | |
| D704,341 S * | 5/2014 | Ryu | D24/187 |
| D721,814 S | 1/2015 | Creed et al. | |
| D732,673 S | 6/2015 | Lewis, Jr. et al. | |
| D742,531 S * | 11/2015 | Pippel | D24/187 |
| D750,784 S | 3/2016 | Anderson et al. | |
| D760,668 S * | 7/2016 | Mishan | D13/168 |
| D765,867 S * | 9/2016 | Pippel | D24/187 |
| D765,868 S * | 9/2016 | Pippel | D24/187 |

(Continued)

Primary Examiner — Anhdao Doan
 (74) *Attorney, Agent, or Firm* — Warner Norcross & Judd LLP

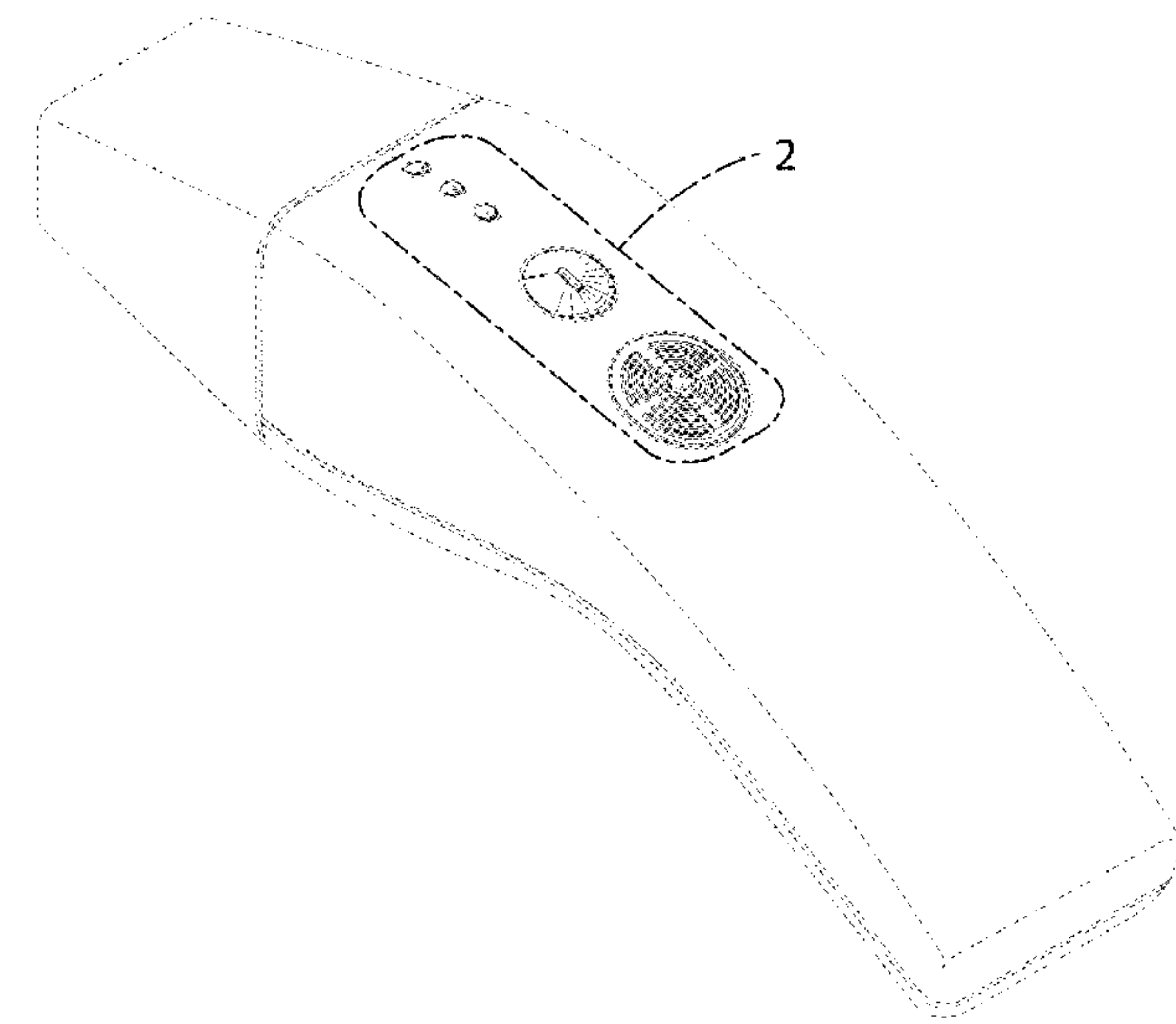
(57) **CLAIM**
 The ornamental design for a user interface for ultrasound device, as shown and described.

DESCRIPTION

FIG. 1 is a perspective view of a user interface for ultrasound device embodying the new design;
 FIG. 2 is an enlarged view of a portion in region labeled 2 of FIG. 1;
 FIG. 3 is a right side view of the design, the left side view being a mirror image thereof;
 FIG. 4 is a front view thereof;
 FIG. 5 is a rear view thereof;
 FIG. 6 is a top view thereof;
 FIG. 7 is an enlarged view of a portion in region labeled 7 of FIG. 6; and,
 FIG. 8 is a bottom view thereof.

The portions shown in broken lines in FIGS. 1-8 are shown for environmental purposes and form no part of the claimed design. The broken lines immediately adjacent the solid lines form the boundary of the claimed design.

1 Claim, 3 Drawing Sheets



(56)

References Cited

U.S. PATENT DOCUMENTS

D767,770 S *	9/2016	Purfey	D24/186
2013/0109950 A1 *	5/2013	Herzog	A61B 8/0825 600/407
2013/0158363 A1 *	6/2013	Zoghbi	A61B 5/01 600/301
2015/0190114 A1	7/2015	Ninomiya et al.	
2015/0366538 A1 *	12/2015	McKenna	A61B 8/4433 600/437

* cited by examiner

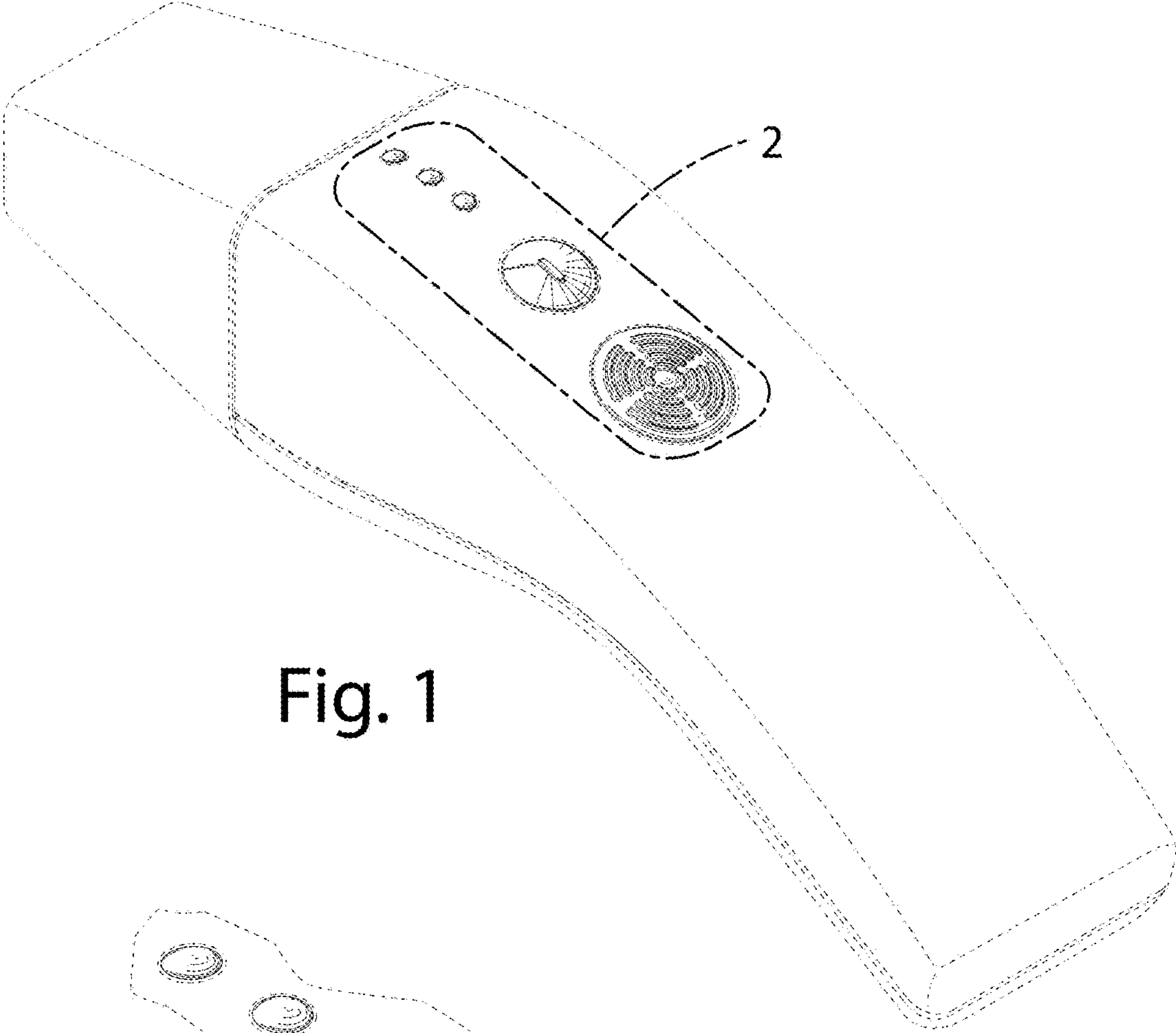


Fig. 1

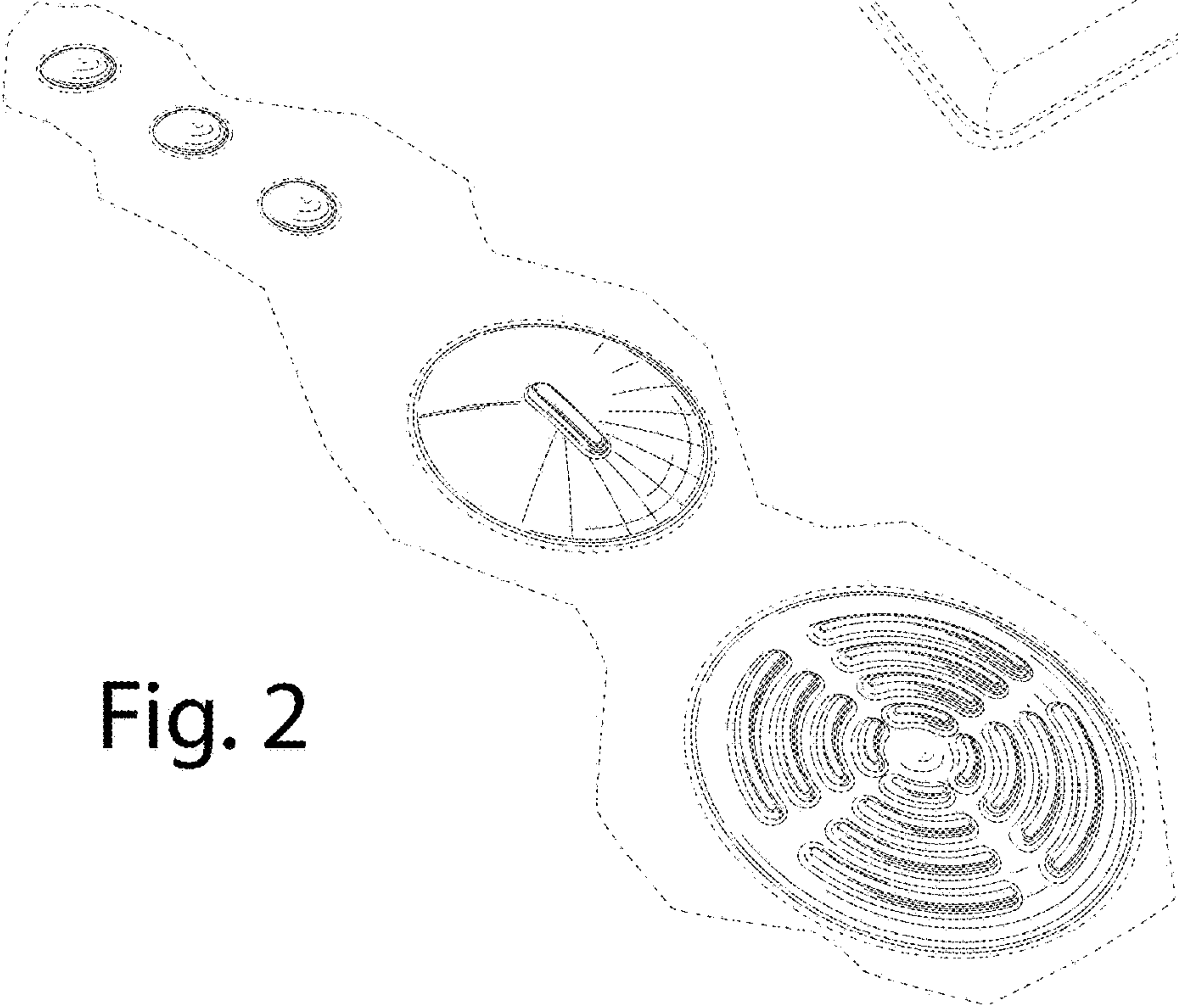


Fig. 2

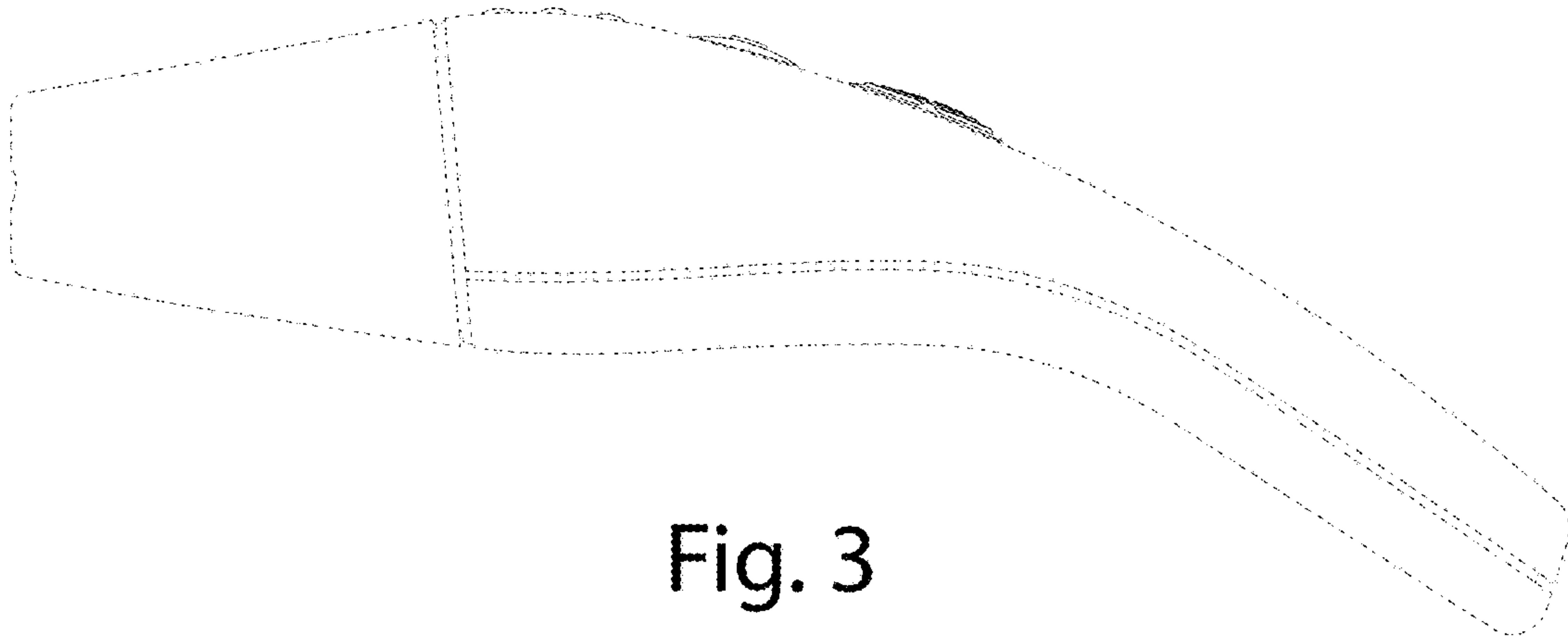


Fig. 3

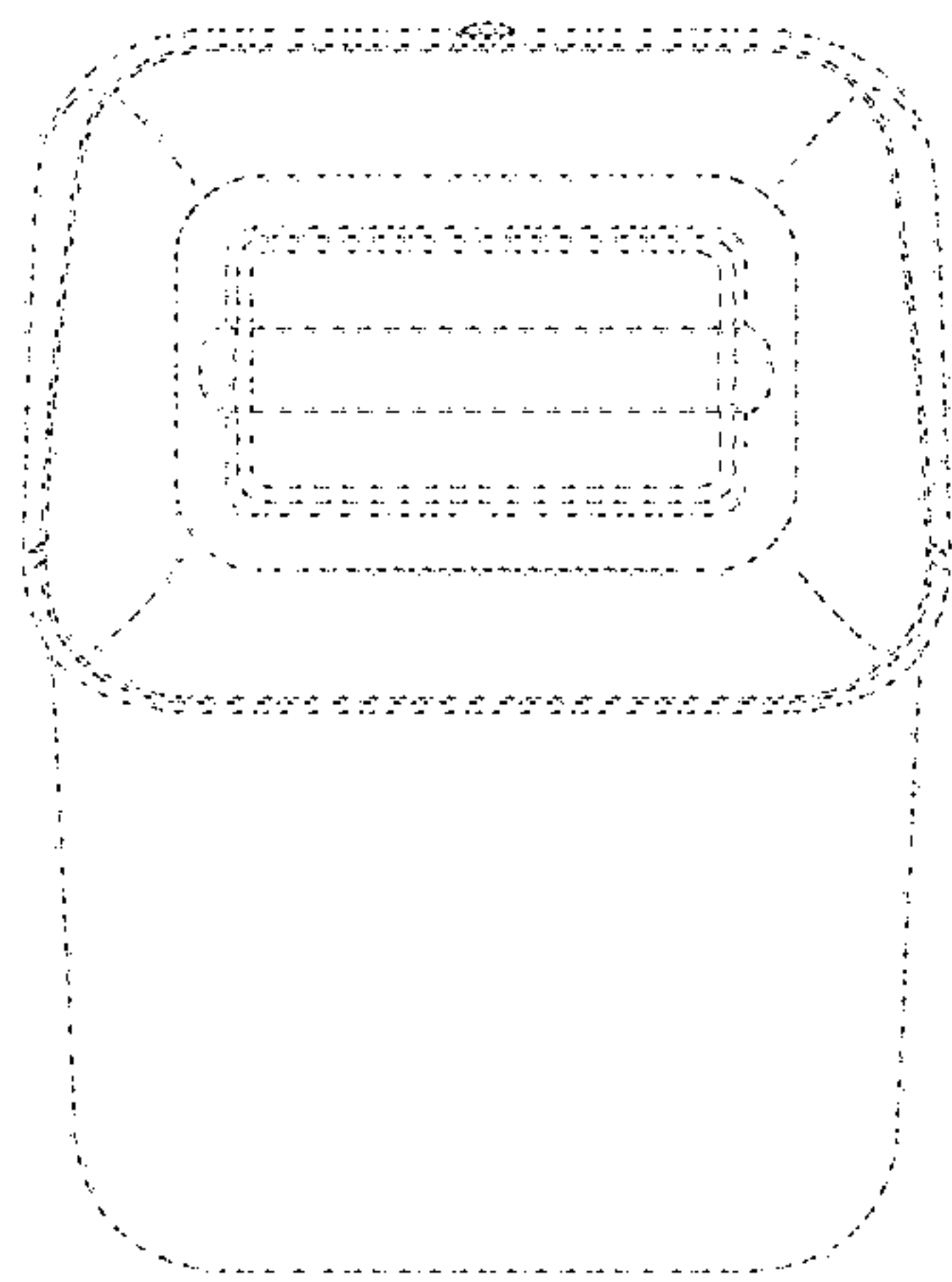


Fig. 4

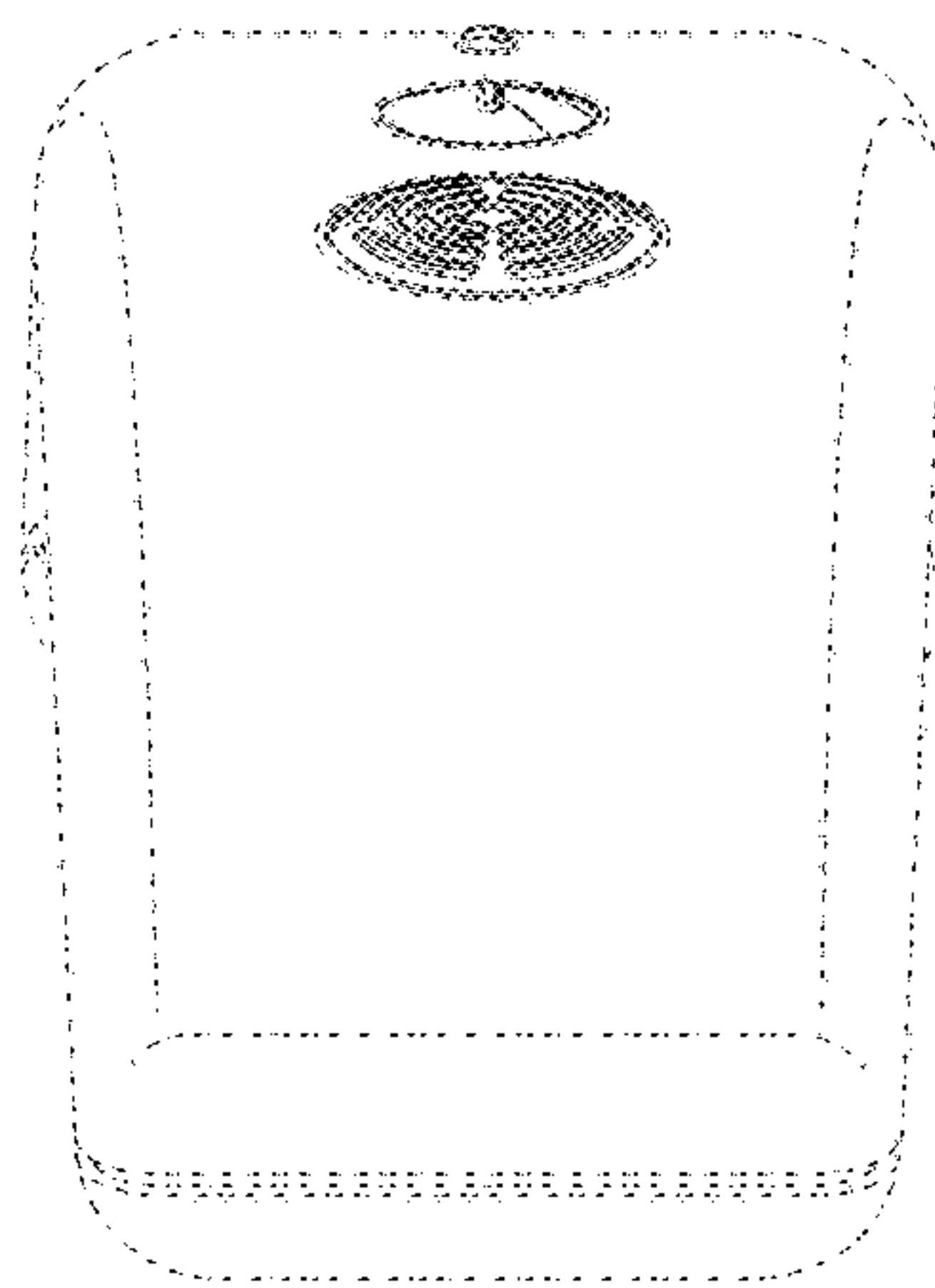


Fig. 5

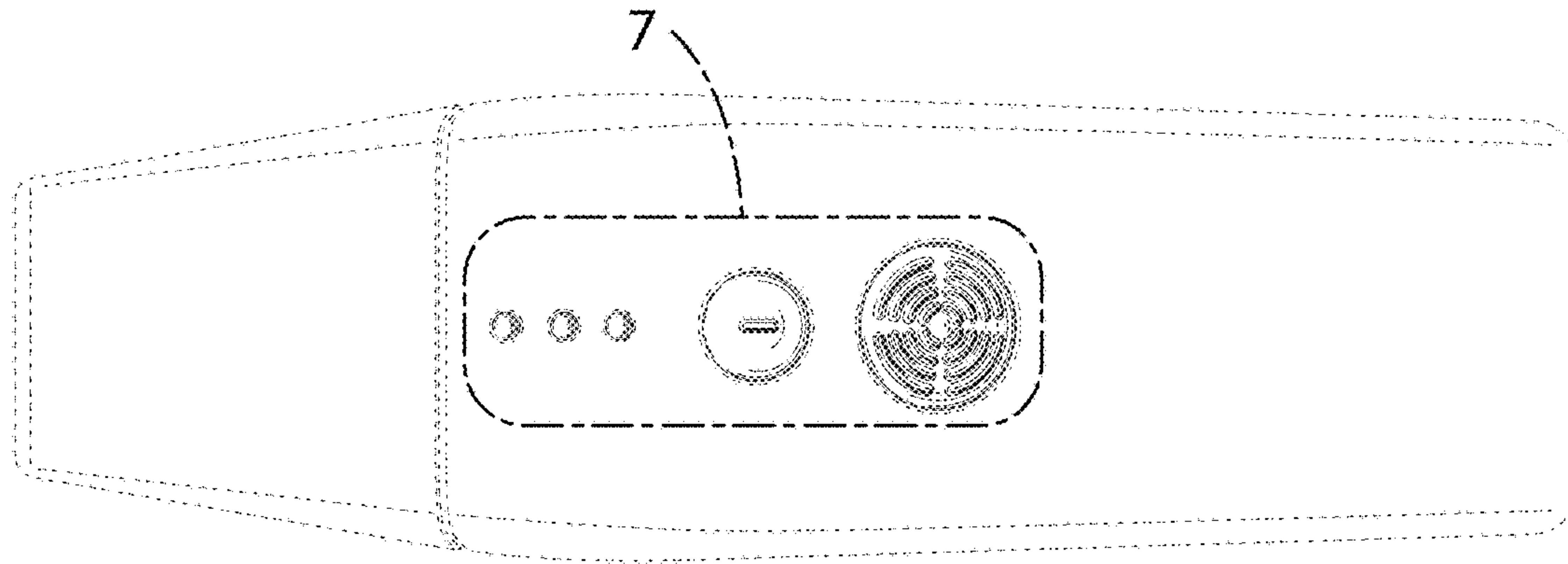


Fig. 6

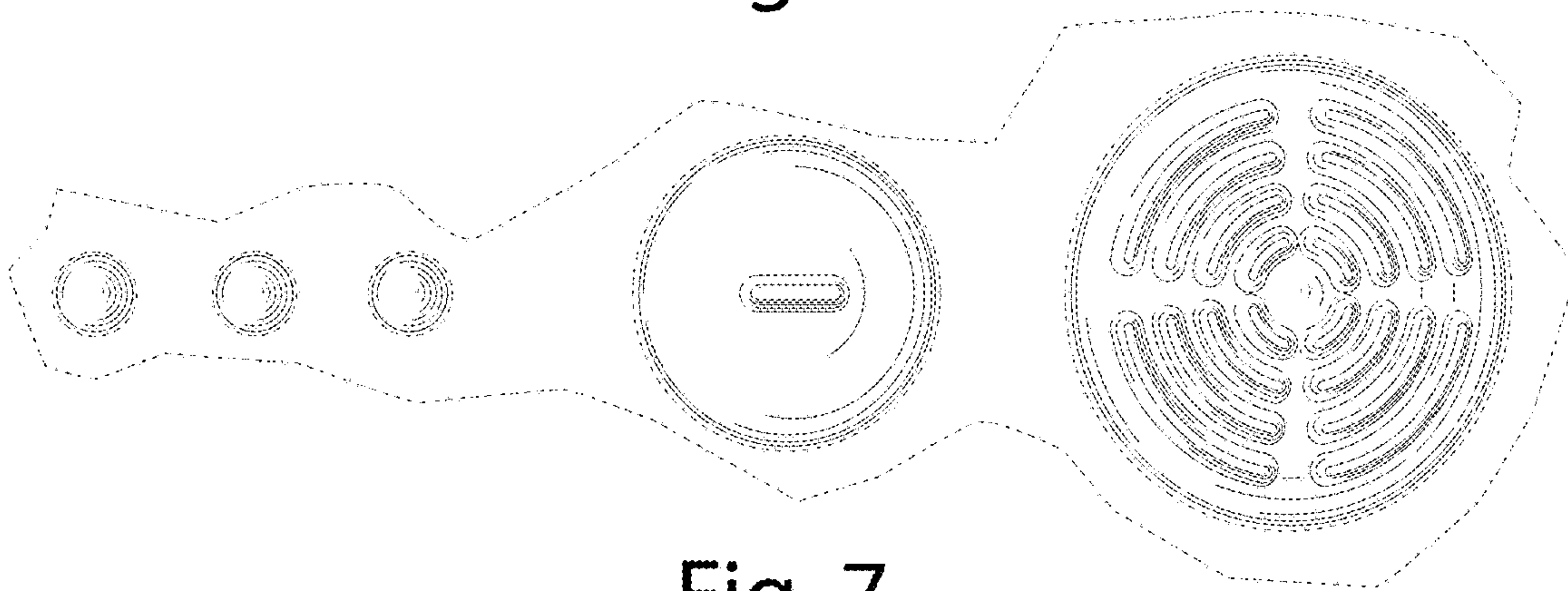


Fig. 7

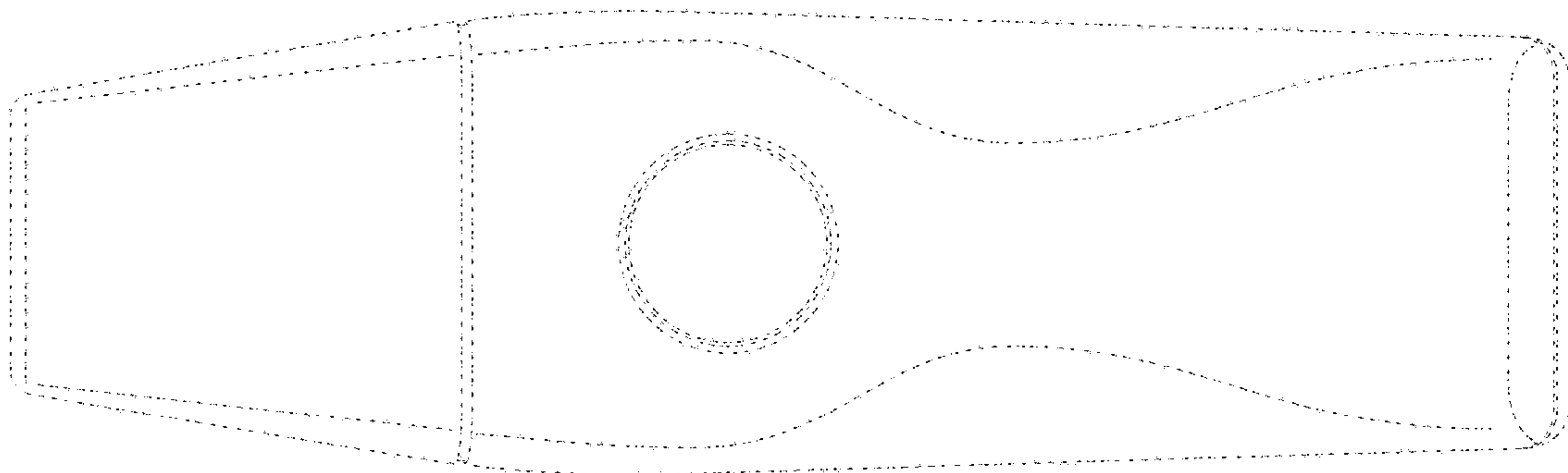


Fig. 8