



US00D789542S

(12) **United States Design Patent**
Lillquist et al.

(10) **Patent No.:** **US D789,542 S**

(45) **Date of Patent:** **** Jun. 13, 2017**

(54) **FITNESS WATCH**

(71) Applicant: **Garmin Switzerland GmbH**,
Schaffhausen (CH)

(72) Inventors: **Robert S. Lillquist**, Kansas City, MO
(US); **Jin-Ming Chen**, New Taipei
(TW); **Adam W. Roush**, Prairie Village,
KS (US); **Warren R. Stevens**, Olathe,
KS (US); **Chih-Chiang Chan**, New
Taipei (TW)

(73) Assignee: **Garmin Switzerland GmbH** (CH)

(**) Term: **15 Years**

(21) Appl. No.: **29/555,026**

(22) Filed: **Feb. 17, 2016**

(51) **LOC (10) Cl.** **24-01**

(52) **U.S. Cl.**
USPC **D24/167**

(58) **Field of Classification Search**
USPC D24/107, 167, 185, 186; D10/1, 30, 38,
D10/40, 46, 52, 70, 96, 98, 102, 122,
D10/123; D14/344
CPC G04G 3/00; G04G 3/04; G04G 17/00; G04G
99/00; G04B 1/00
See application file for complete search history.

(56) **References Cited**

U.S. PATENT DOCUMENTS

D269,546 S *	6/1983	Rogers	D10/30
D427,079 S *	6/2000	Houlihan	D10/30
D452,006 S *	12/2001	Komulainen	D10/31
D586,674 S *	2/2009	Solarewicz	D10/32
D618,119 S *	6/2010	Tonohori	D10/38
D711,268 S *	8/2014	Kim	D10/70
D741,206 S *	10/2015	Lim	D10/38
D743,827 S *	11/2015	Prince	D10/122
D748,501 S *	2/2016	Cerrato	D10/30
D750,622 S *	3/2016	Chen	D10/38

D756,240 S *	5/2016	Register	D10/30
D756,805 S *	5/2016	Delhotal	D10/30
D757,583 S *	5/2016	Roush	D10/70
D758,885 S *	6/2016	Yoshida	D10/128
D759,826 S *	6/2016	Martinez	D24/187
D761,129 S *	7/2016	Calvani	D10/126
D765,072 S *	8/2016	Kwon	D10/38
D765,655 S *	9/2016	Tao	D10/38
D770,306 S *	11/2016	Voirin	D10/30

(Continued)

OTHER PUBLICATIONS

[https://www.wired.com/2016/05/garmin-vivomove-analog-smartwatch/The Garmin Vivomove Isn't a Smartwatch. It's a Smarter Watch, May 4, 2016.*](https://www.wired.com/2016/05/garmin-vivomove-analog-smartwatch/The_Garmin_Vivomove_Isn't_a_Smartwatch_It's_a_Smarter_Watch,_May_4,_2016.*)

(Continued)

Primary Examiner — Wan Laymon

Assistant Examiner — Clint A Samuel

(74) *Attorney, Agent, or Firm* — Samuel M. Korte; Max M. Ali

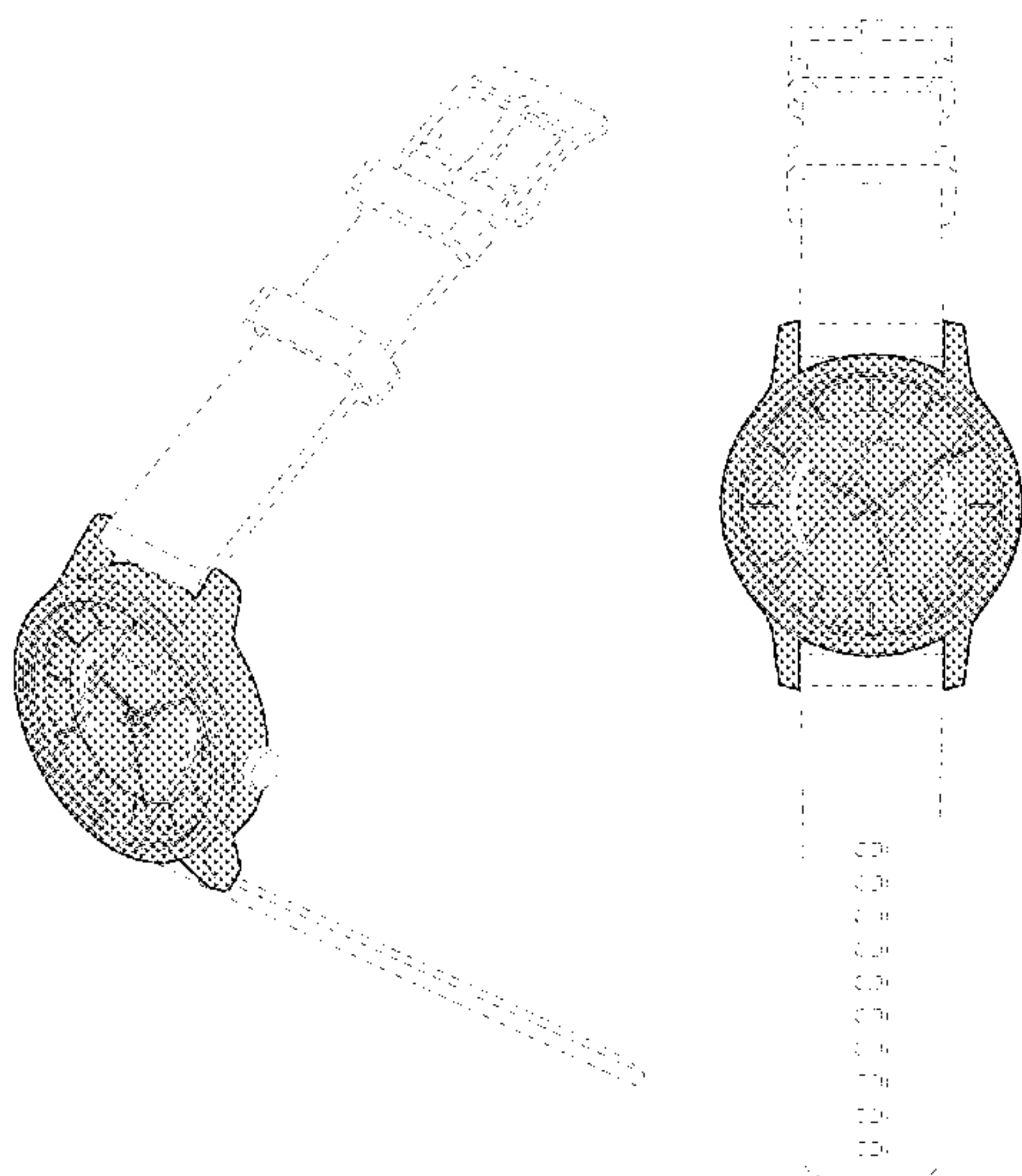
(57) **CLAIM**

The ornamental design for a fitness watch, as shown and described.

DESCRIPTION

FIG. 1 is a front perspective view of a fitness watch according to the present invention;
FIG. 2 is a rear perspective view of the fitness watch;
FIG. 3 is a top view of the fitness watch;
FIG. 4 is a front view of the fitness watch;
FIG. 5 is a bottom view of the fitness watch;
FIG. 6 is a rear view of the fitness watch;
FIG. 7 is a left side view of the fitness watch; and,
FIG. 8 is a right side view of the fitness watch.
The structural features depicted by broken lines have been shown for the purpose of illustrating portions of the fitness watch that form no part of the claimed design.

1 Claim, 4 Drawing Sheets



(56)

References Cited

U.S. PATENT DOCUMENTS

D771,505 S	*	11/2016	Cerrato	D10/30
D772,081 S	*	11/2016	Lee	D10/30
D772,866 S	*	11/2016	Park	D10/38
D772,868 S	*	11/2016	Park	D10/39
D773,458 S	*	12/2016	Park	D10/39
D773,944 S	*	12/2016	Wang	D10/30

OTHER PUBLICATIONS

<https://buy.garmin.com/en-US/US/p/532348#additional>,
vivomove™ Copyright 1996-2017.*

Printout from <http://www.timex.com/metro> , published prior to Feb. 17, 2016.

Printout from <http://www.timex.com/weekender> , published prior to Feb. 17, 2016.

Printout from <http://www2.witherings.com/us/en/products/activite/> , published prior to May 21, 2015.

Printout from https://www.fossil.com/us.en.connected_accessories/g-grant-chronograph-dark-brown-leather-smartwatch-sku-ltw10001p.html , published prior to Feb. 17, 2016.

Printout from <https://www.martianwatches.com/product/alphat10/> , published prior to Feb. 17, 2016.

Printout from <https://withings.com/us/en/products/activite-pop> , published prior to Feb. 17, 2016.

* cited by examiner

Fig. 1

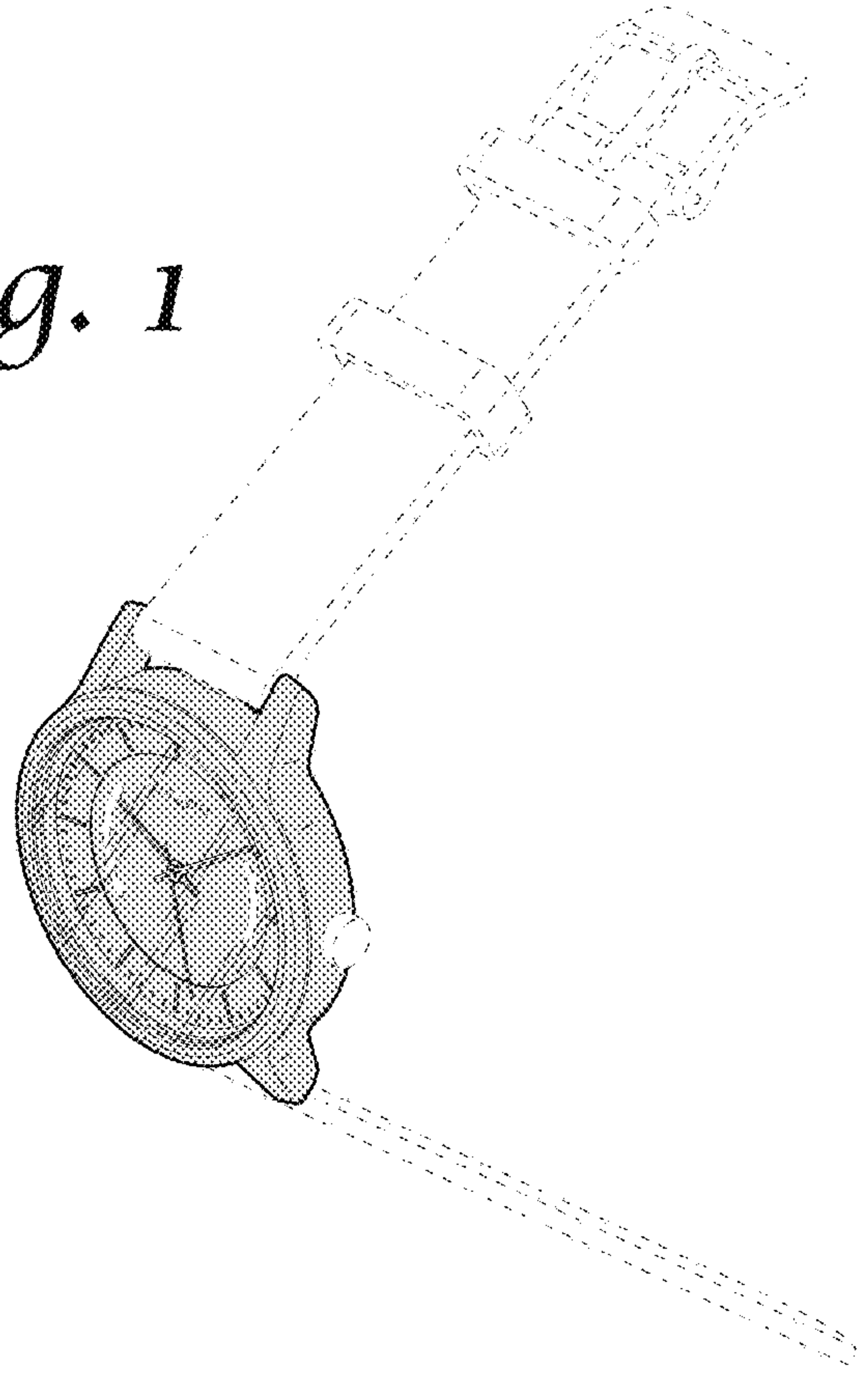
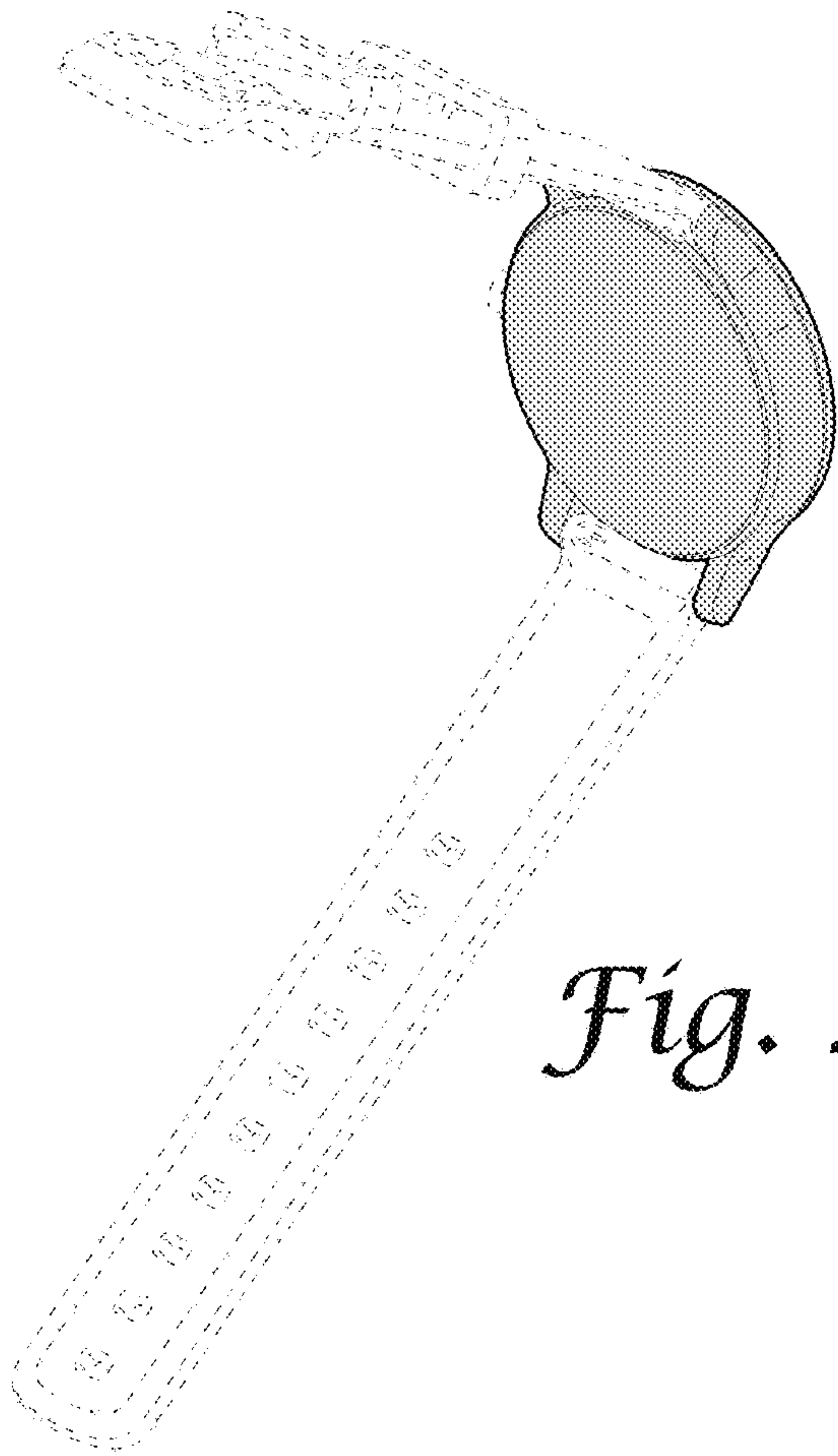


Fig. 2



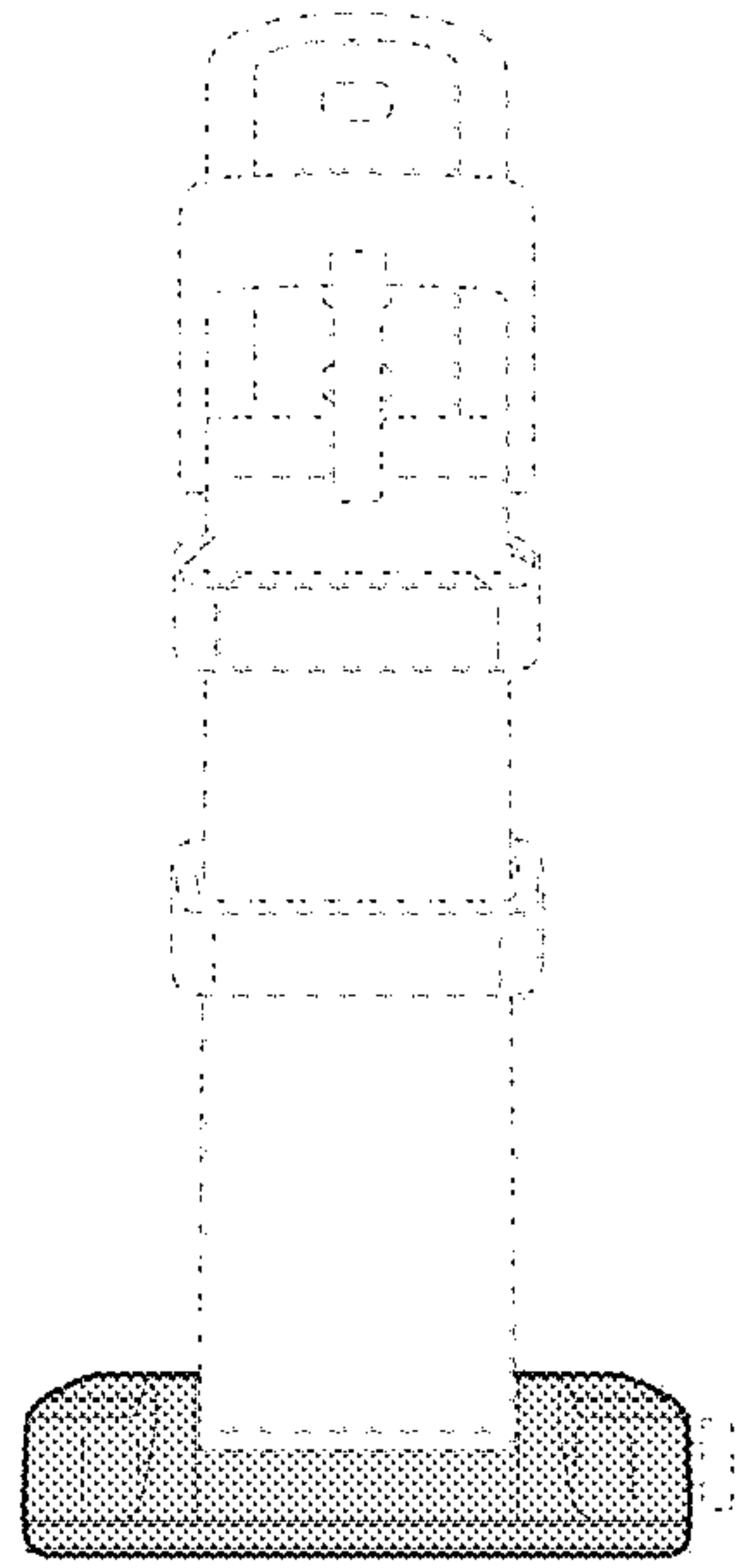


Fig. 3

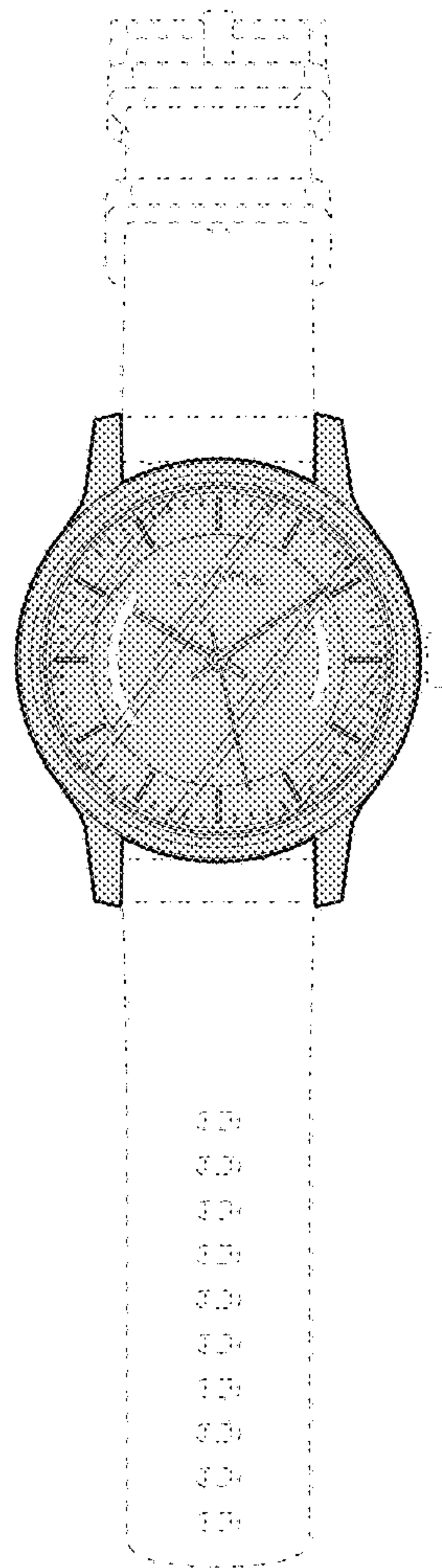


Fig. 4

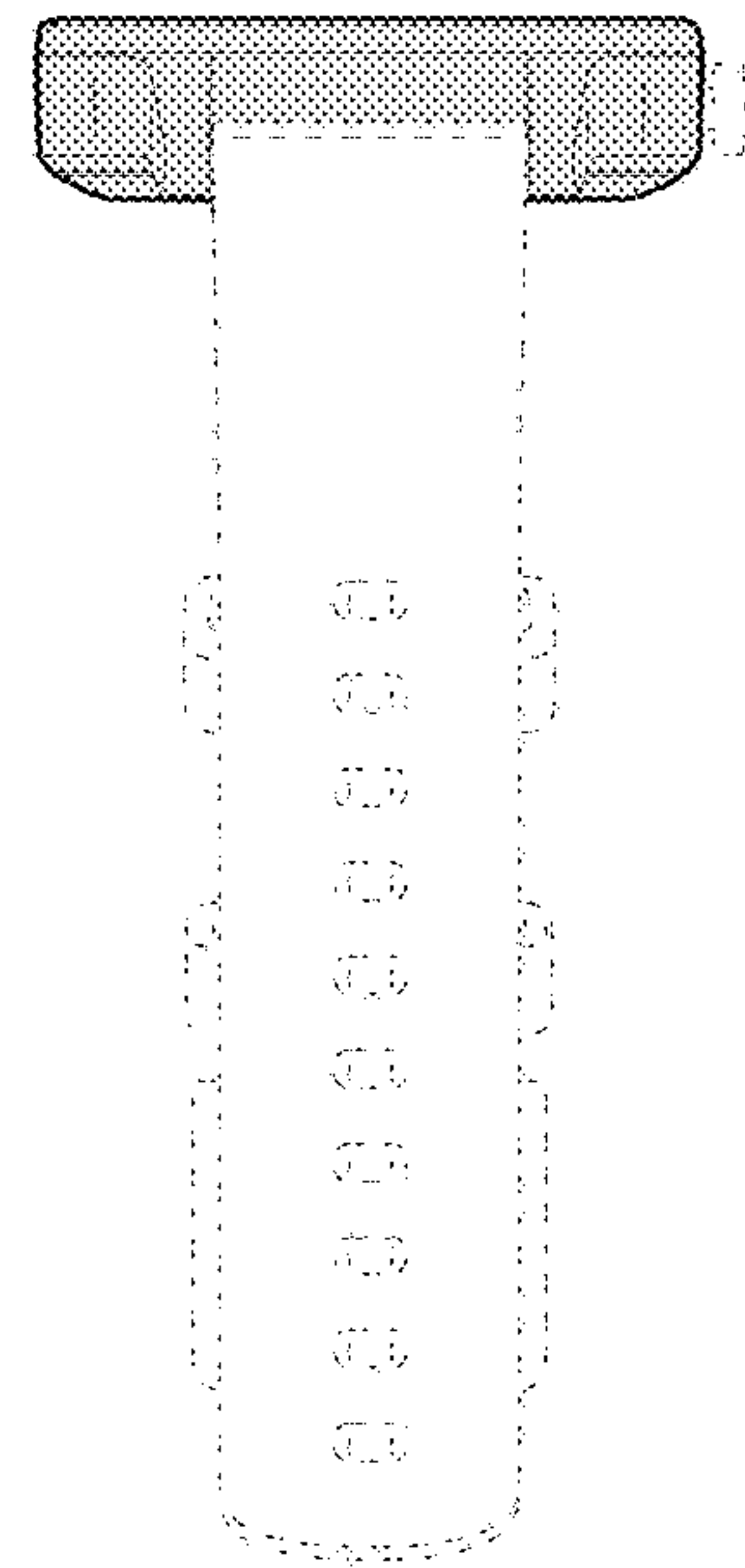


Fig. 5

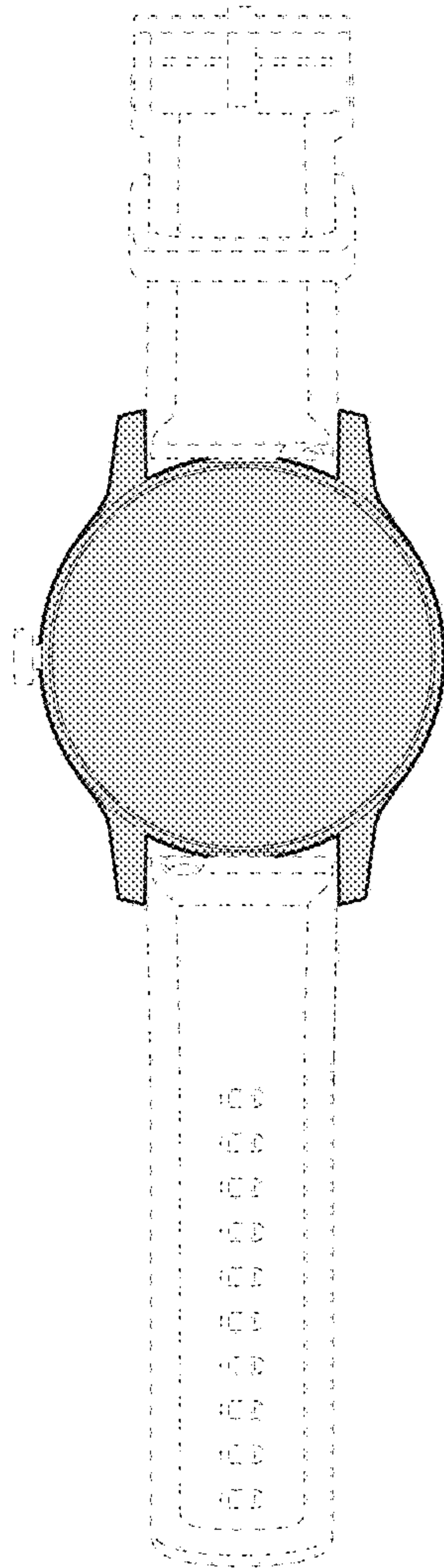


Fig. 6

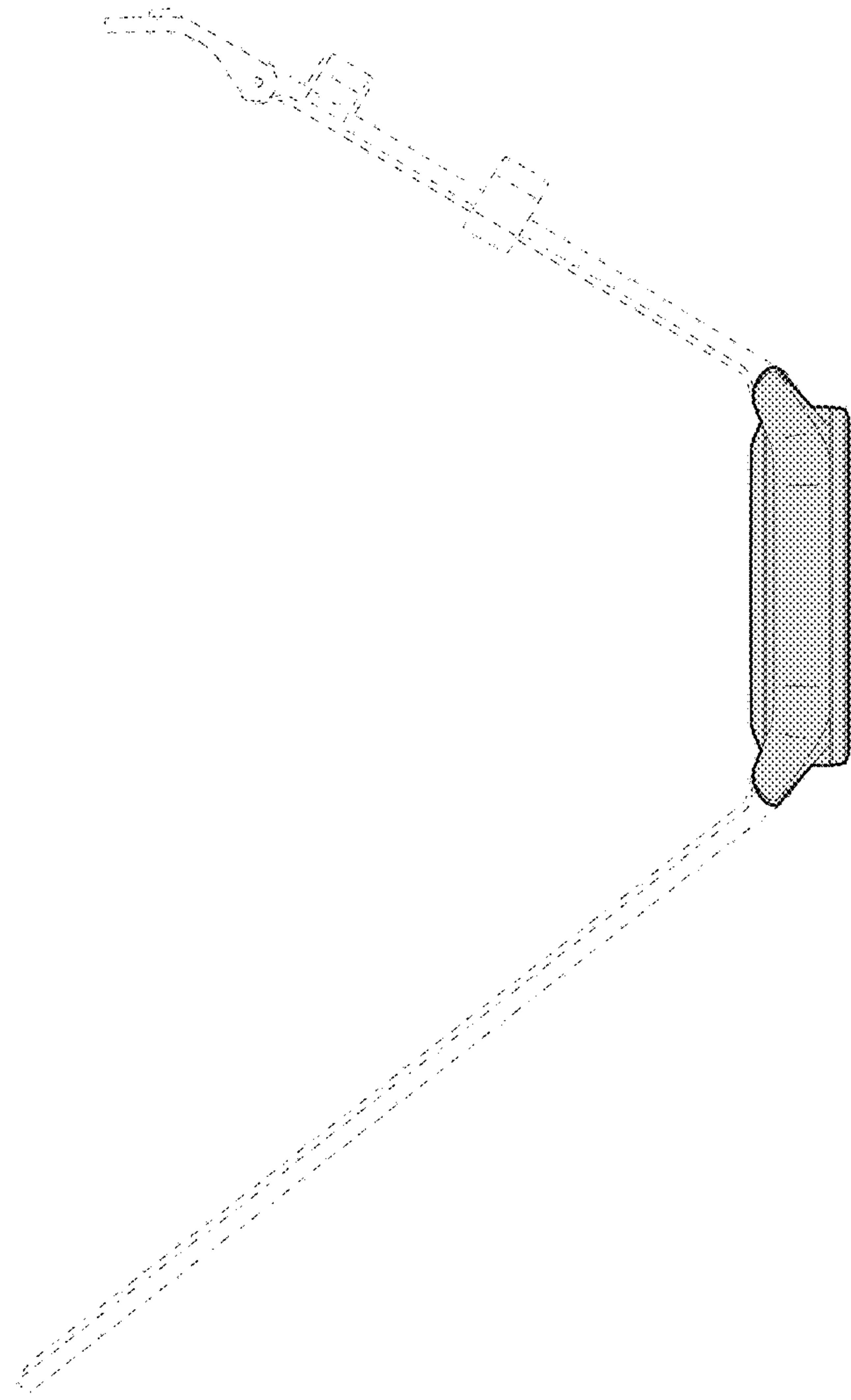


Fig. 7

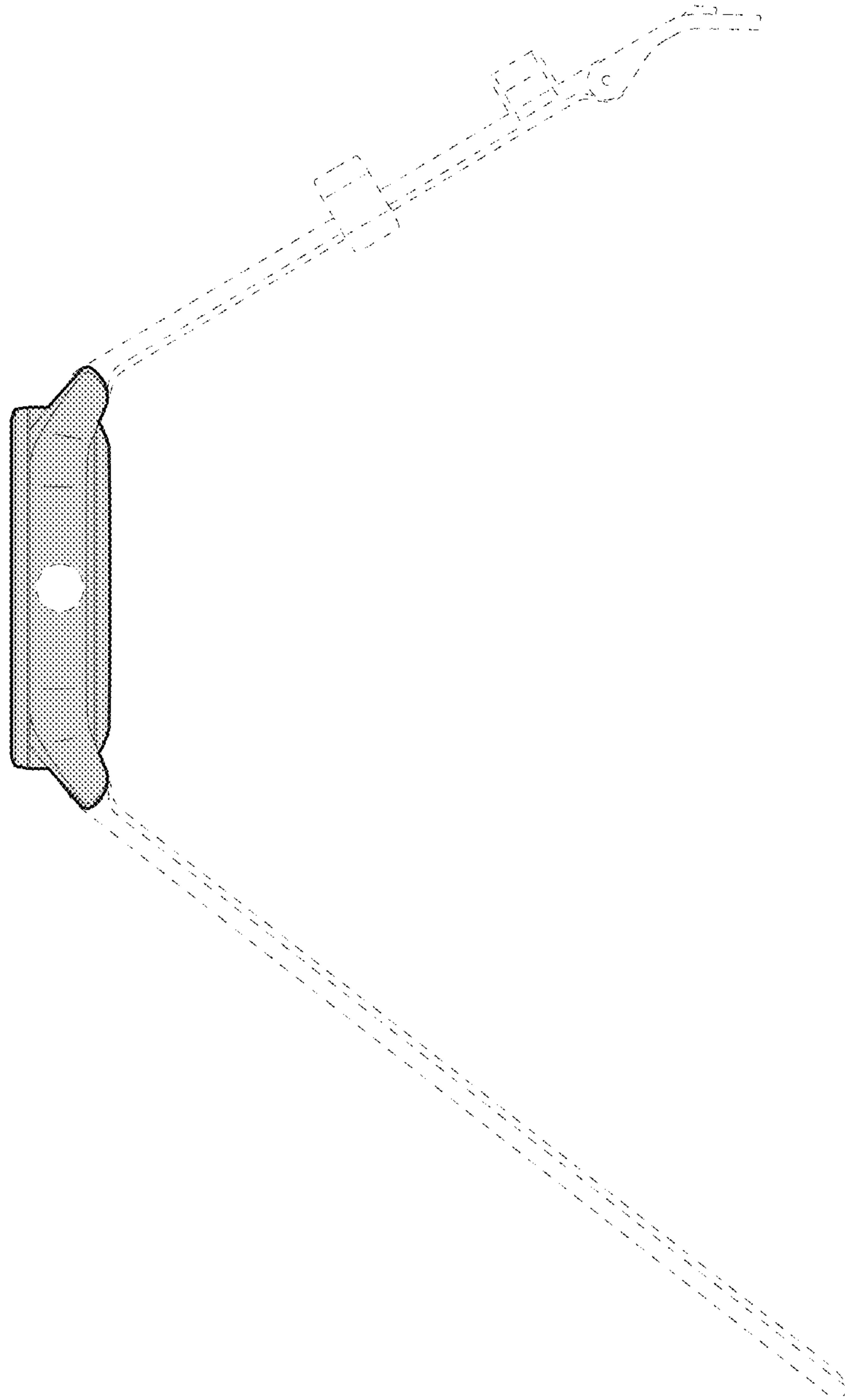


Fig. 8