



US00D789540S

(12) **United States Design Patent**
Gyorgy

(10) **Patent No.:** **US D789,540 S**

(45) **Date of Patent:** **** Jun. 13, 2017**

- (54) **ORTHOPEdic PLATE**
- (71) Applicant: **Veterinary Implants Direct, LLC,**
Rancho Santa Margarita, CA (US)
- (72) Inventor: **Pelle Gyorgy,** Nyiregyhaza (HU)
- (73) Assignee: **Veterinary Implants Direct, LLC.,**
Rancho Santa Margarita, CA (US)
- (**) Term: **15 Years**
- (21) Appl. No.: **29/553,259**
- (22) Filed: **Jan. 29, 2016**
- (51) **LOC (10) Cl.** **24-02**
- (52) **U.S. Cl.**
USPC **D24/155**
- (58) **Field of Classification Search**
USPC D24/155-157; D12/133
CPC A61B 17/8061; A61B 17/7059; A61B
17/8052; A61B 17/8605; A61B 17/8085;
A61B 17/809; A61B 17/8014; A61B
17/8033; A61B 17/8004; A61B 17/888;
A61B 17/842; A61B 17/8023; A61B
17/8009; A61B 17/86; A61B 17/1739;
A61B 17/8066; A61B 17/1671; A61B
17/1757; A61B 17/8071; A61B 17/176;
A61B 2017/1782; A61B 2017/1775
See application file for complete search history.

D631,403 S *	1/2011	Knopf	D12/133
D701,795 S *	4/2014	Brown, Jr.	D12/133
D727,216 S *	4/2015	Brown, Jr.	D12/133
D727,217 S *	4/2015	Brown, Jr.	D12/133
9,597,119 B2 *	3/2017	Jackson	A61B 17/7035
2010/0137920 A1 *	6/2010	Hammill, Sr.	A61B 17/7034 606/308
2011/0040336 A1 *	2/2011	Hammill, Sr.	A61B 17/7037 606/305
2012/0083850 A1 *	4/2012	Kaufman	A61B 17/701 606/305
2014/0296925 A1 *	10/2014	Lawson	A61B 17/8033 606/289

* cited by examiner

Primary Examiner — Charles Hanson

(74) *Attorney, Agent, or Firm* — Marcus C. Dawes;
Daniel L. Dawes

(57) **CLAIM**

The ornamental design for an orthopedic plate, as shown and described in the FIGURES.

DESCRIPTION

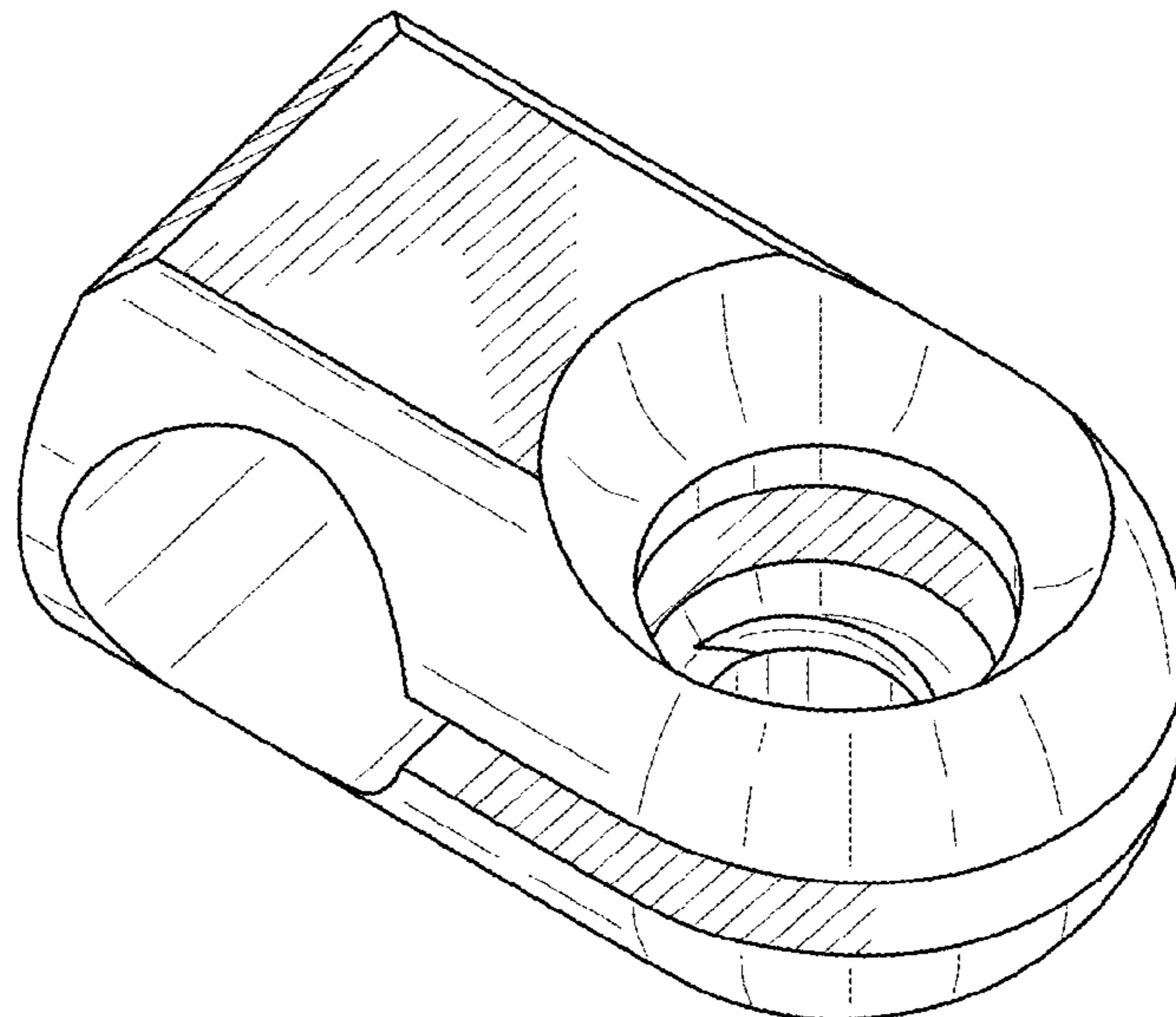
- FIG. 1 is a perspective view of an orthopedic plate, showing my new design.
- FIG. 2 is a plan elevational view of the right side of the orthopedic plate of FIG. 1.
- FIG. 3 is a plan elevational view of the front side of the orthopedic plate of FIG. 1
- FIG. 4 is a top view of the orthopedic plate of FIG. 1.
- FIG. 5 is a plan elevational view of the left side of the orthopedic plate of FIG. 1.
- FIG. 6 is a plan elevational view of the back side of the orthopedic plate of FIG. 1; and,
- FIG. 7 is a bottom view of the orthopedic plate of FIG. 1.

1 Claim, 2 Drawing Sheets

(56) **References Cited**

U.S. PATENT DOCUMENTS

5,580,184 A *	12/1996	Riccitelli	F16D 1/0864 280/779
D413,842 S *	9/1999	Garven, Jr.	D12/133
6,520,598 B1 *	2/2003	Cheng	B60B 1/006 301/111.01
D573,861 S *	7/2008	Hammer	D8/72



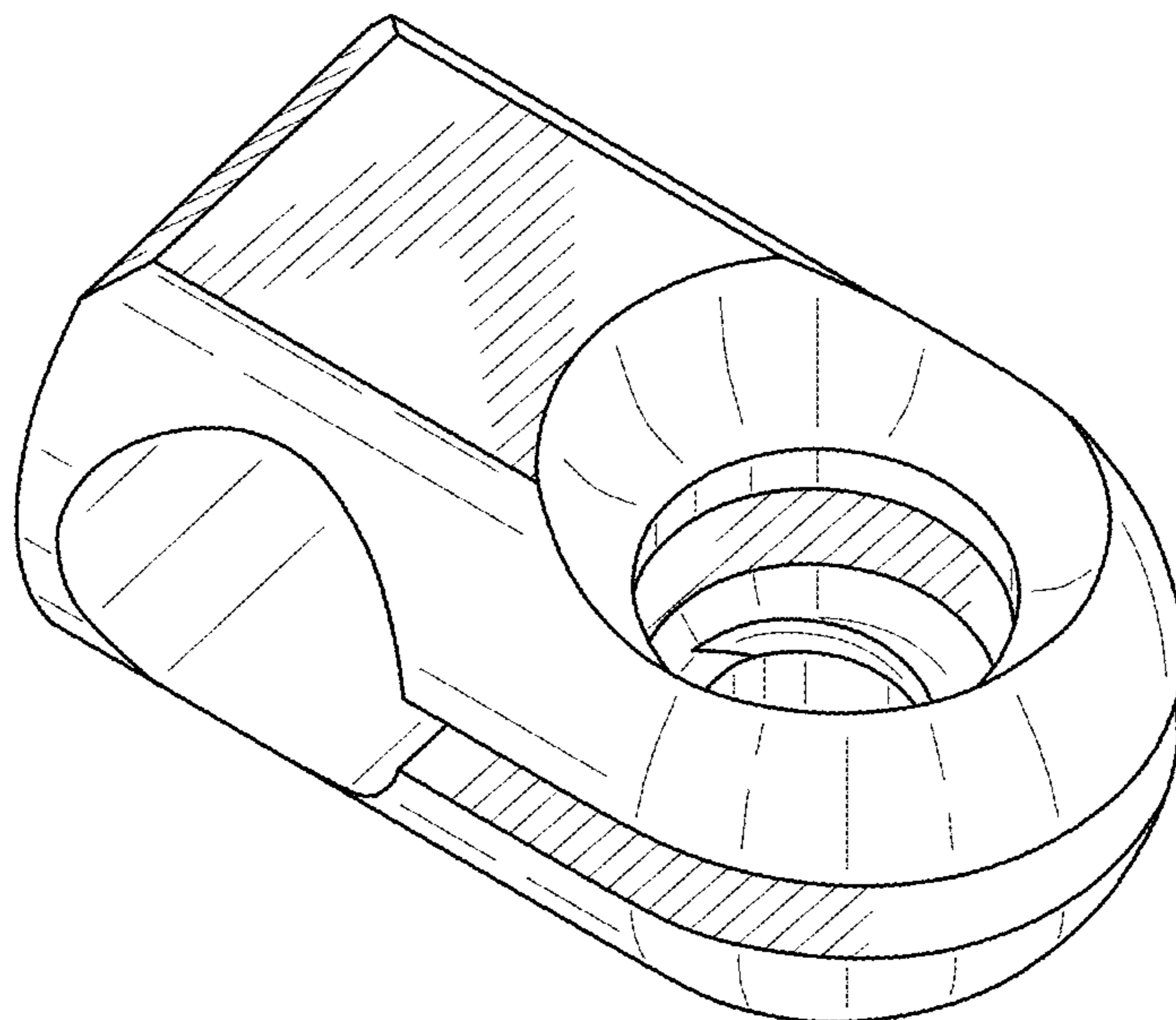


FIG. 1

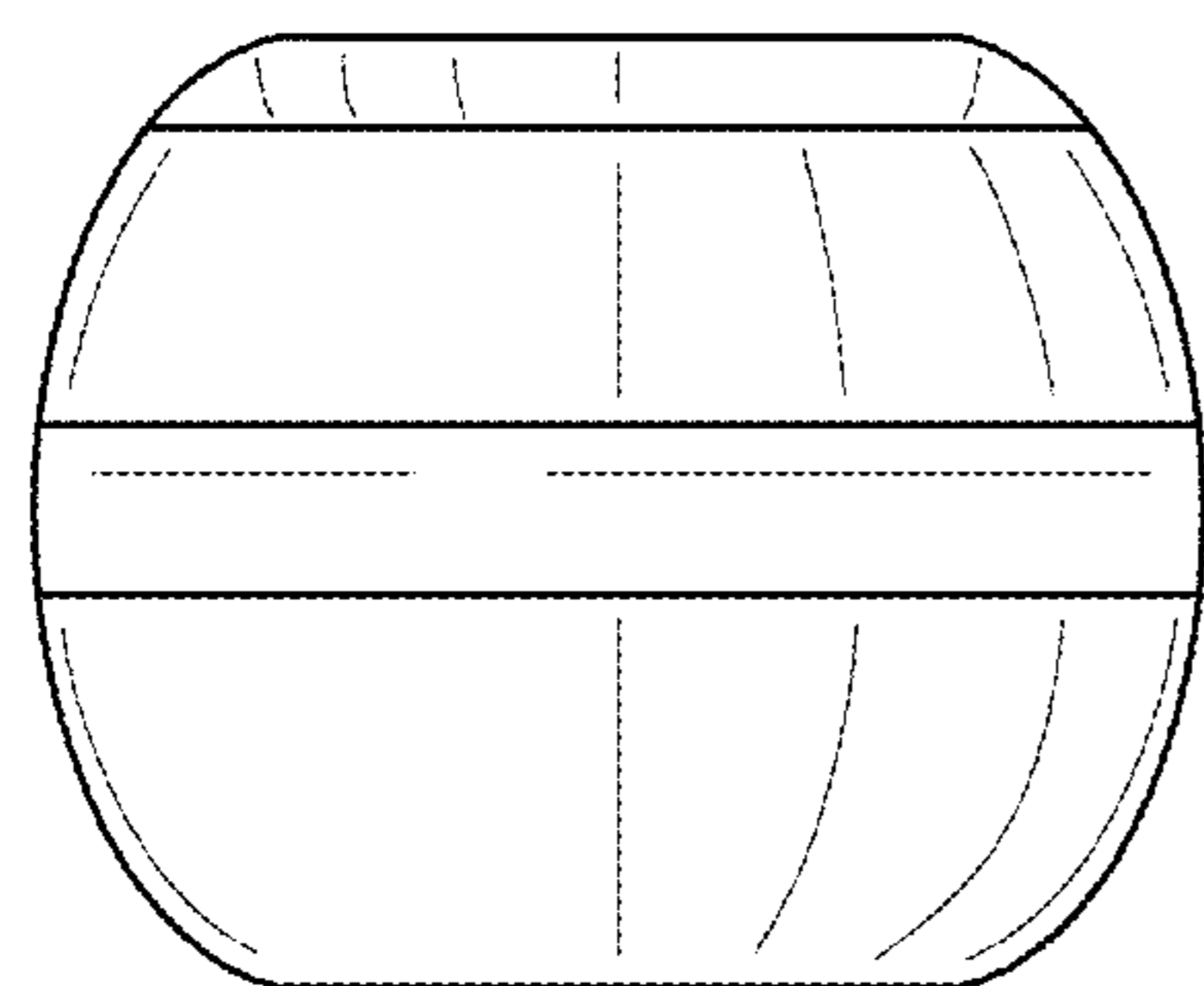


FIG. 3

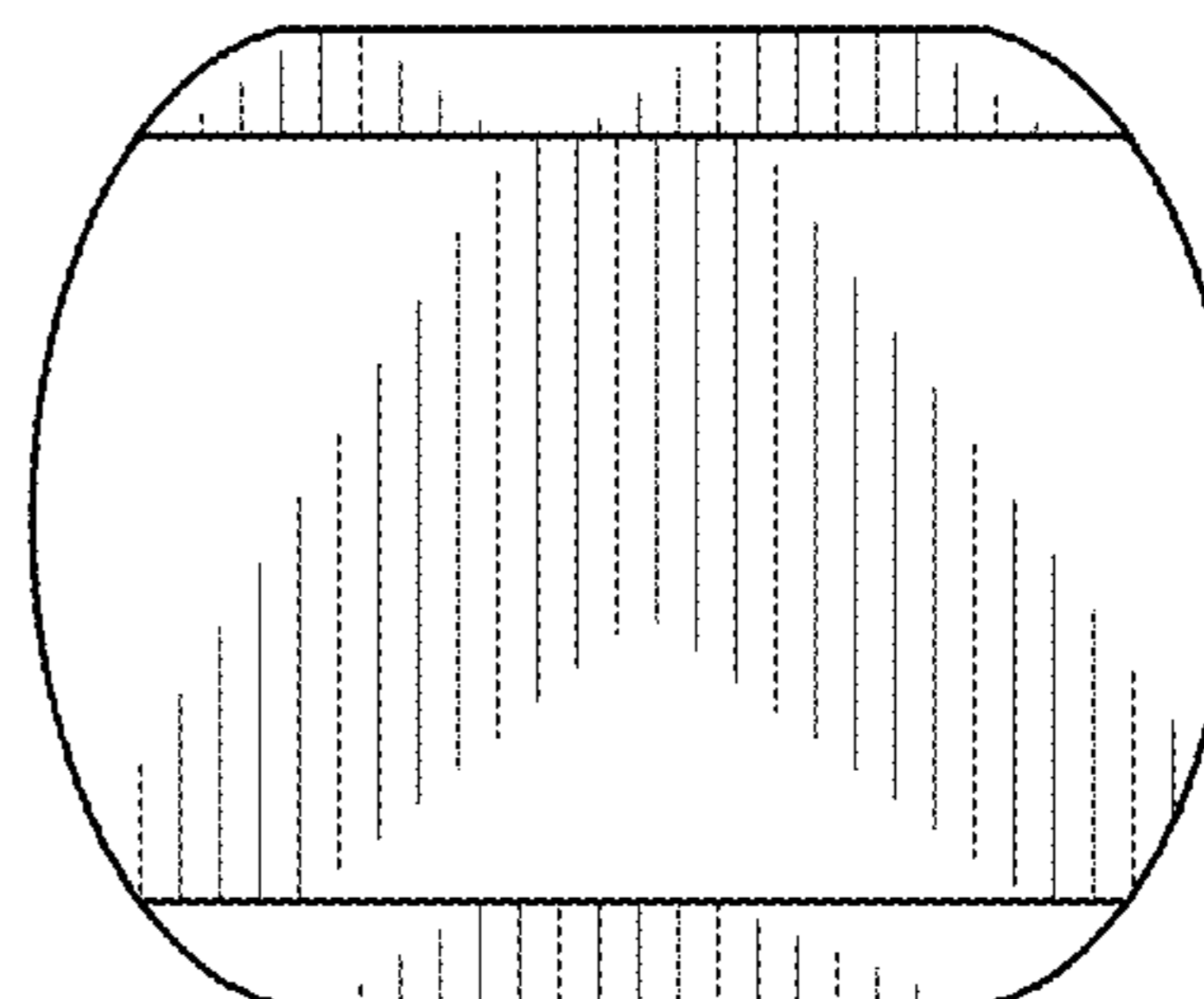


FIG. 6

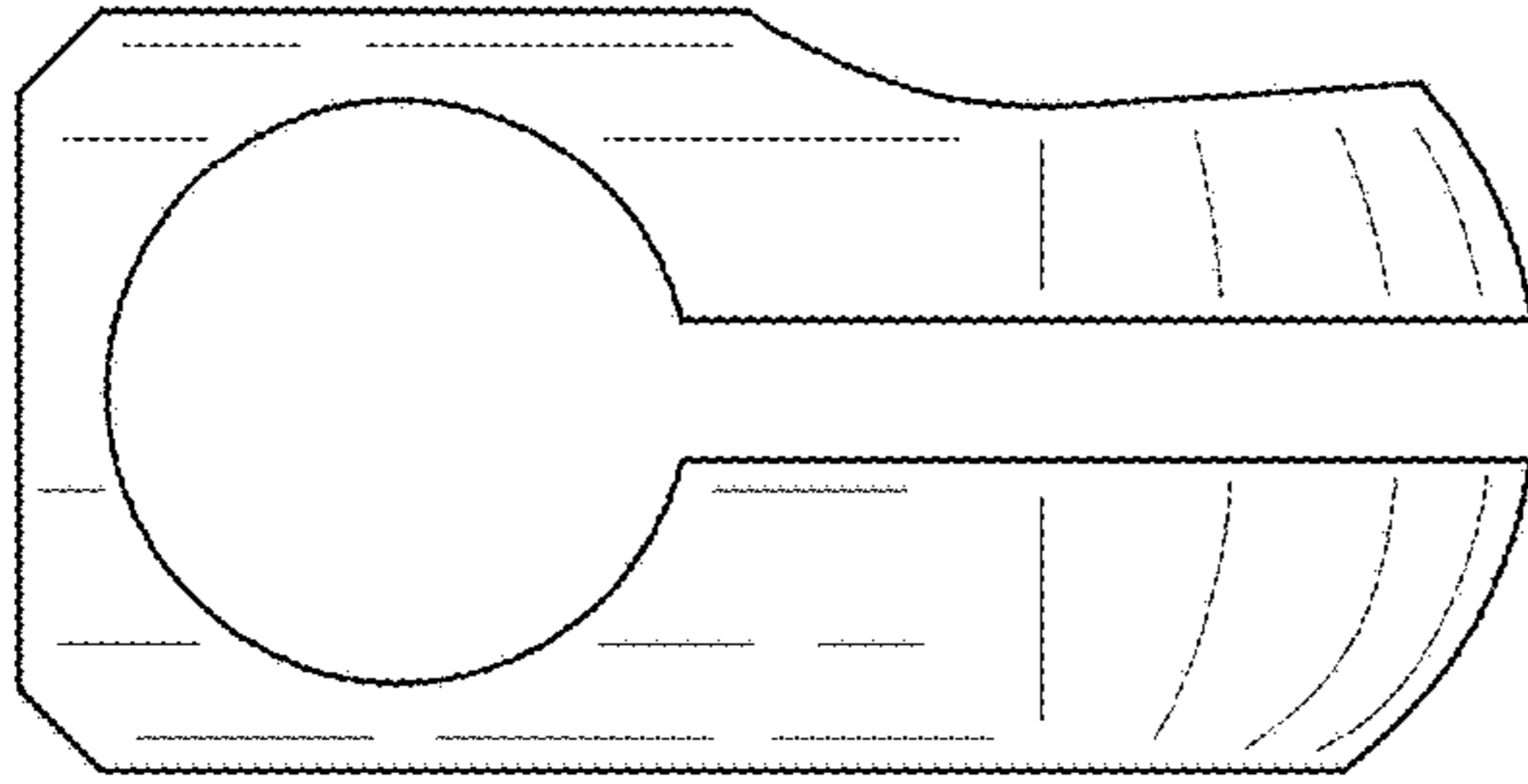


FIG. 2

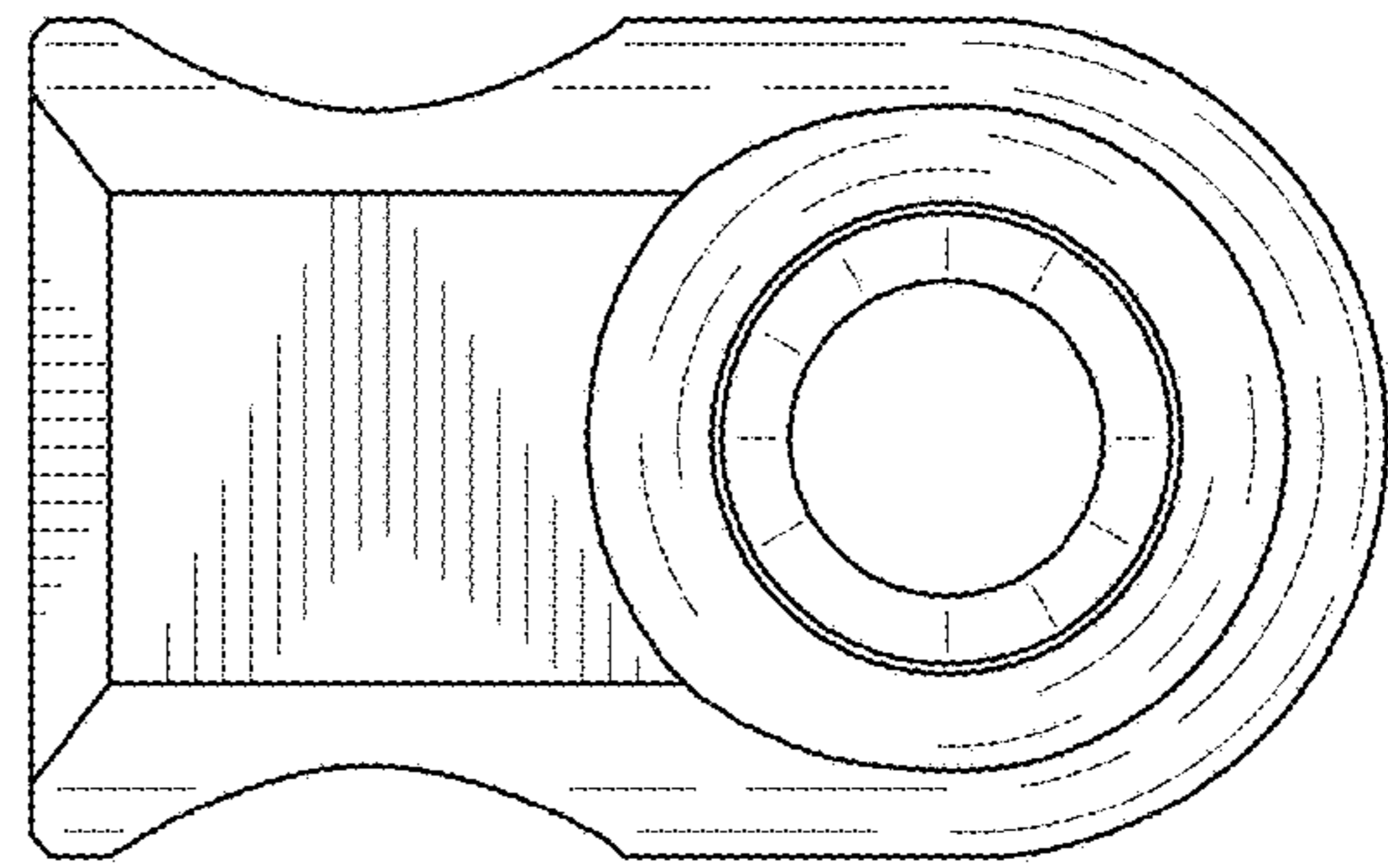


FIG. 4

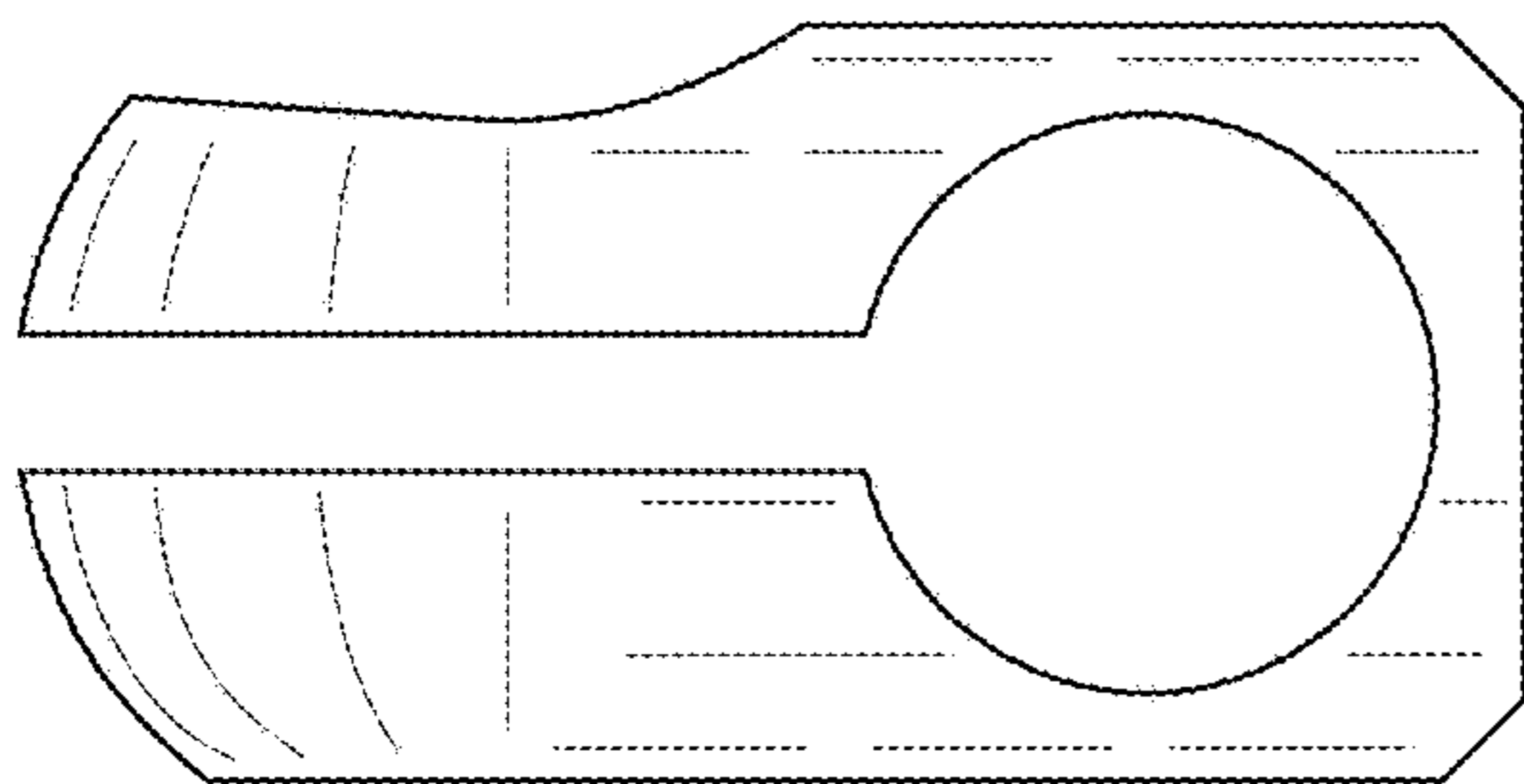


FIG. 5

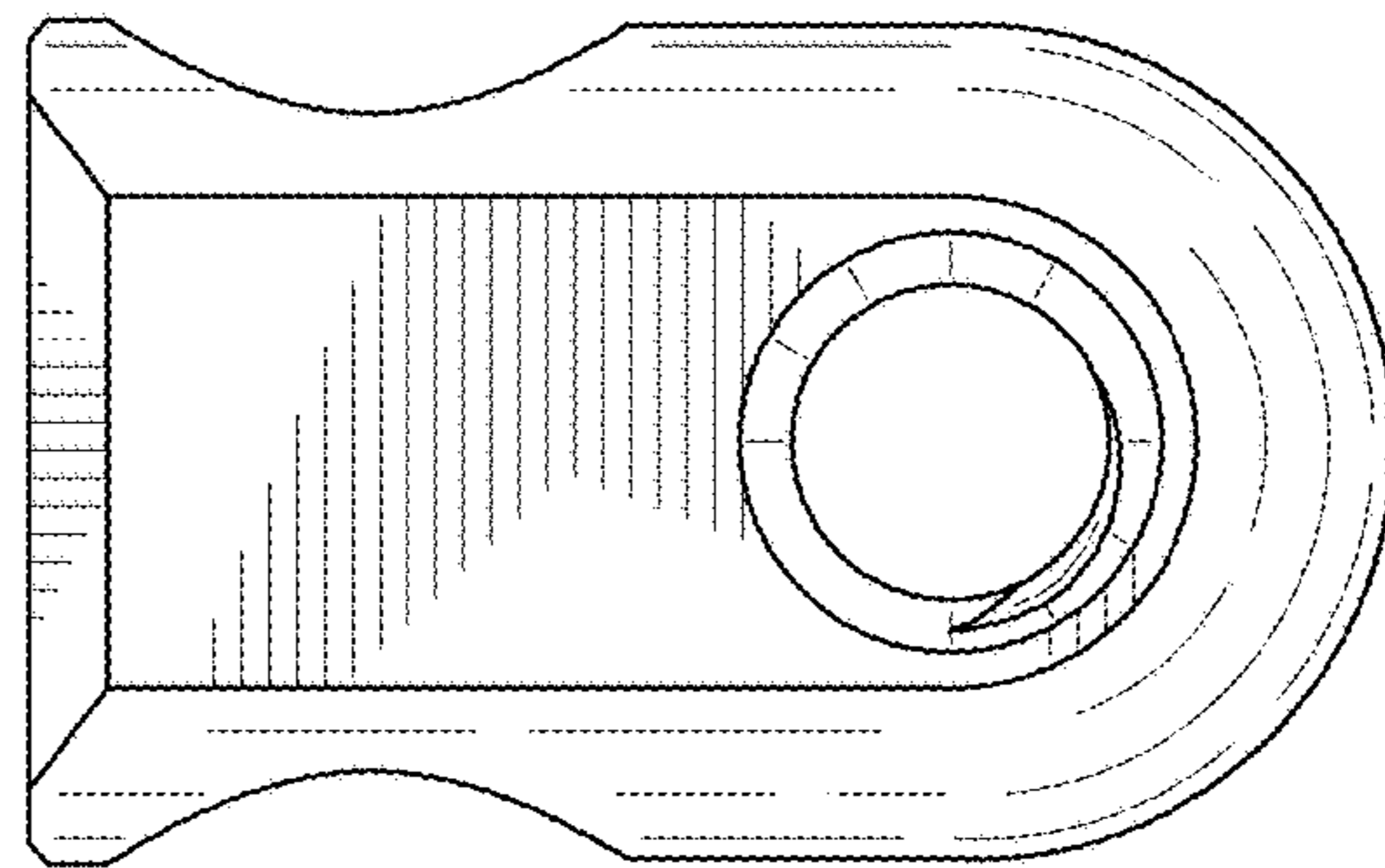


FIG. 7