



US00D789539S

(12) **United States Design Patent** (10) **Patent No.:** **US D789,539 S**  
**Kleiner et al.** (45) **Date of Patent:** **\*\* Jun. 13, 2017**

- (54) **FUSION CAGE**
- (71) Applicant: **Spinal Surgical Strategies LLC**,  
Denver, CO (US)
- (72) Inventors: **Jeffrey B. Kleiner**, Denver, CO (US);  
**Edward John Grimberg, Jr.**, Golden,  
CO (US)
- (73) Assignee: **Spinal Surgical Strategies, LLC**,  
Denver, CO (US)
- (\*\*) Term: **15 Years**
- (21) Appl. No.: **29/532,670**
- (22) Filed: **Jul. 9, 2015**
- (51) **LOC (10) Cl.** ..... **24-02**
- (52) **U.S. Cl.**  
USPC ..... **D24/155**
- (58) **Field of Classification Search**  
USPC ..... D24/155, 133, 135  
CPC ..... A61F 2/4611; A61F 2/442; A61F 2/447;  
A61F 2220/0025; A61F 2310/00023;  
A61F 2310/00017; A61F 2002/4475;  
A61F 2002/30841; A61F 2002/2835;  
A61F 2002/30904; A61F 2002/30785;  
A61F 2002/443; A61F 2002/30578  
See application file for complete search history.

- D627,468 S 11/2010 Richter et al.  
7,867,277 B1 \* 1/2011 Tohmeh ..... A61F 2/4455  
623/17.11
- D631,967 S 2/2011 Horton  
7,892,261 B2 2/2011 Bonutti  
7,938,857 B2 \* 5/2011 Garcia-  
Bengochea ..... A61B 17/1671  
623/17.11
- D650,481 S 12/2011 Gottlieb et al.  
D653,757 S \* 2/2012 Binder ..... D24/155
- D674,900 S 1/2013 Janice et al.  
D677,791 S 3/2013 Danacioglu et al.  
D681,205 S 4/2013 Farris et al.  
8,562,685 B2 10/2013 Ullrich, Jr. et al.  
D700,332 S 2/2014 Tyber  
8,758,443 B2 6/2014 Ullrich, Jr. et al.
- (Continued)

**OTHER PUBLICATIONS**

U.S. Appl. No. 29/506,748, filed Oct. 20, 2014, Grimberg et al.  
(Continued)

*Primary Examiner* — Charles Hanson  
(74) *Attorney, Agent, or Firm* — Sheridan Ross P.C.

(57) **CLAIM**

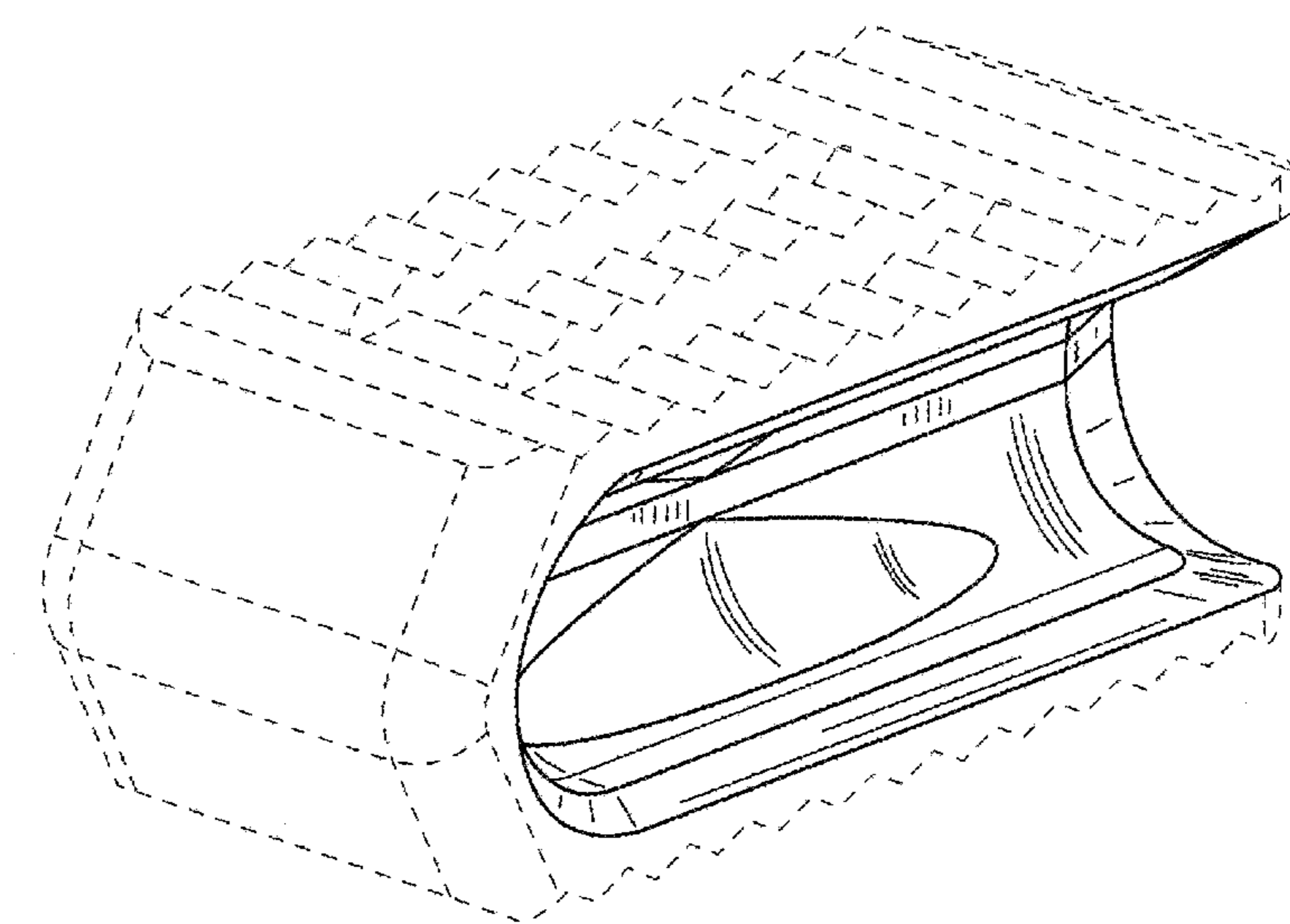
The ornamental design for a fusion cage, as shown and described.

**DESCRIPTION**

FIG. 1 is a front perspective view of the fusion cage;  
 FIG. 2 is a front elevation view thereof;  
 FIG. 3 is a rear elevation view thereof;  
 FIG. 4 is a left elevation view thereof;  
 FIG. 5 is a right elevation view thereof;  
 FIG. 6 is a top plan view thereof; and,  
 FIG. 7 is a bottom plan view thereof.  
 The broken lines shown in the views are included for the purpose of illustrating portions of the fusion cage that form no part of the claimed design.

**1 Claim, 7 Drawing Sheets**

- (56) **References Cited**
- U.S. PATENT DOCUMENTS
- |           |    |         |               |
|-----------|----|---------|---------------|
| 6,008,433 | A  | 12/1999 | Stone         |
| D444,878  | S  | 7/2001  | Walter        |
| D445,188  | S  | 7/2001  | Walter        |
| 6,823,871 | B2 | 11/2004 | Schmieding    |
| D524,443  | S  | 7/2006  | Blain         |
| D541,940  | S  | 5/2007  | Blain         |
| D611,147  | S  | 3/2010  | Hanson et al. |
| D615,653  | S  | 5/2010  | Horton        |
| D623,748  | S  | 9/2010  | Horton et al. |
| D623,749  | S  | 9/2010  | Horton et al. |



(56)

**References Cited**

U.S. PATENT DOCUMENTS

D708,747 S	7/2014	Curran et al.	
8,845,727 B2 *	9/2014	Gottlieb .....	A61F 2/442 623/17.11
D721,808 S	1/2015	Oi	
D724,213 S	3/2015	Tyber	
8,992,622 B2	3/2015	Ullrich, Jr. et al.	
D735,336 S	7/2015	Lovell	
D750,249 S *	2/2016	Grimberg, Jr. ....	D24/155
2003/0125739 A1	7/2003	Bagga et al.	
2006/0100705 A1	5/2006	Puno et al.	
2011/0144755 A1 *	6/2011	Baynham .....	A61F 2/447 623/17.16
2012/0065613 A1 *	3/2012	Pepper .....	A61B 17/8833 604/500
2014/0100657 A1 *	4/2014	McCormack .....	A61F 2/4405 623/17.11

OTHER PUBLICATIONS

Notification of Grant (with English translation) for Chinese Patent Application No. 2301630005382.7, dated Jul. 8, 2016, 5 page.

\* cited by examiner

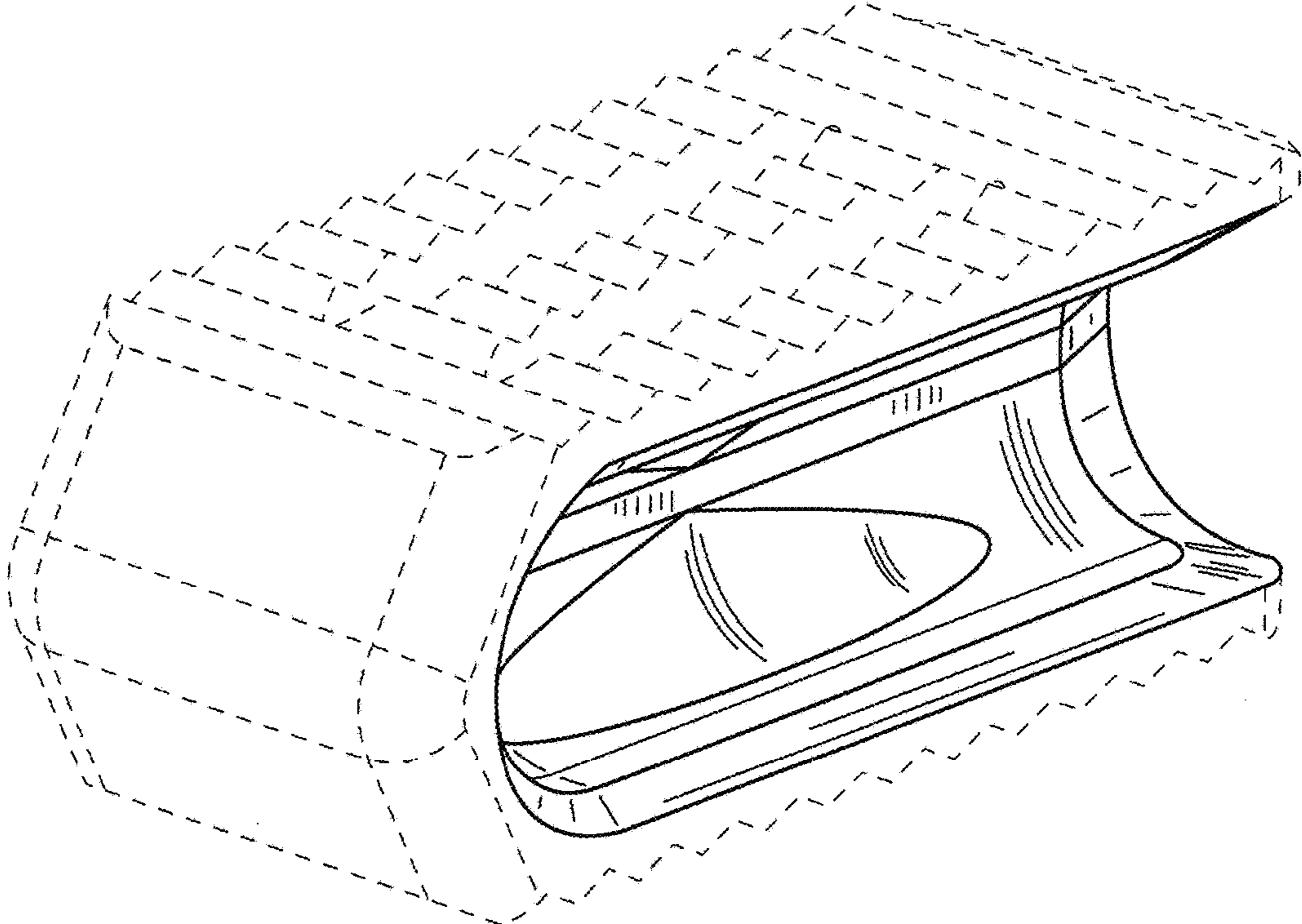


FIG.1

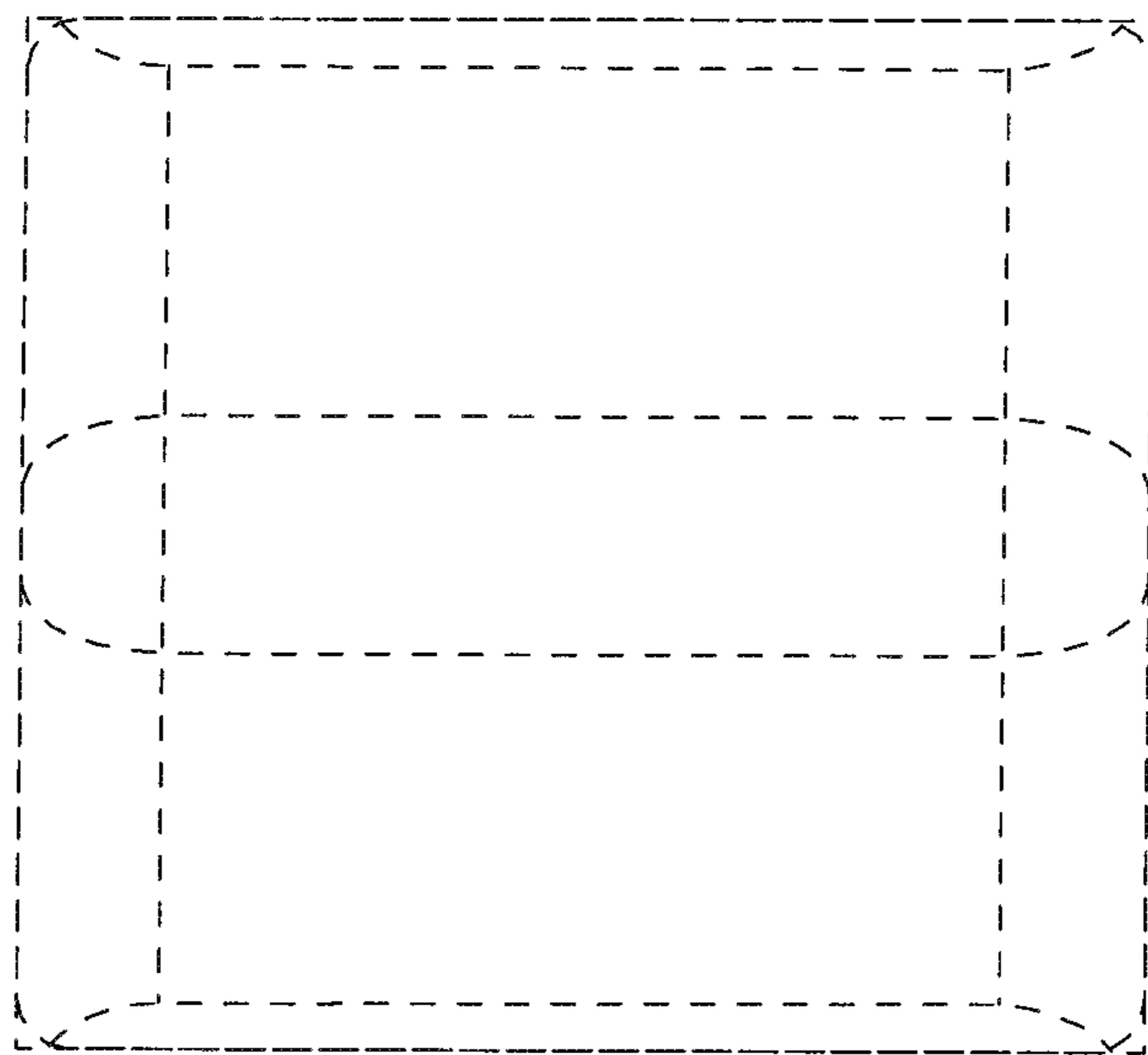


FIG.2

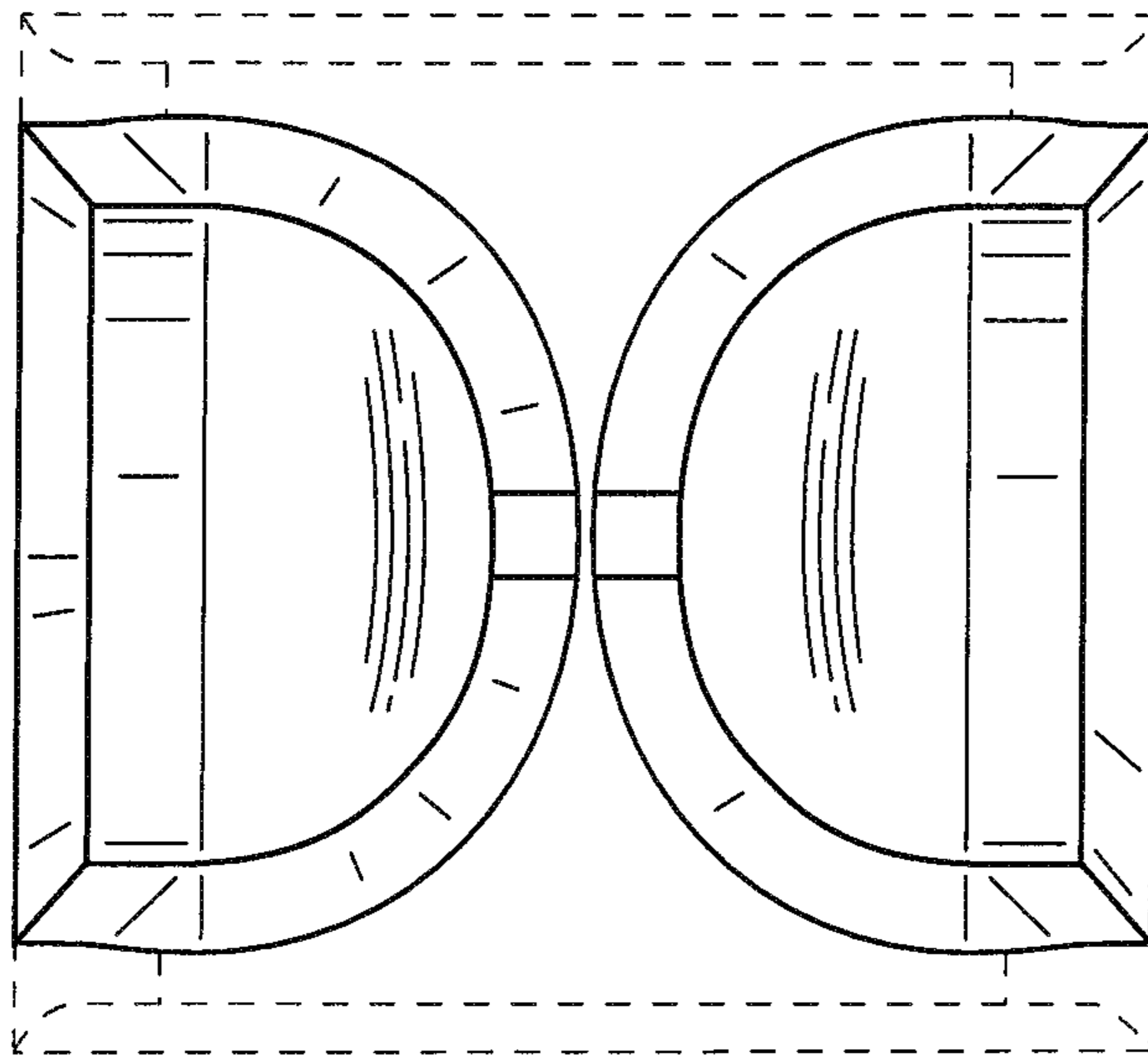


FIG.3

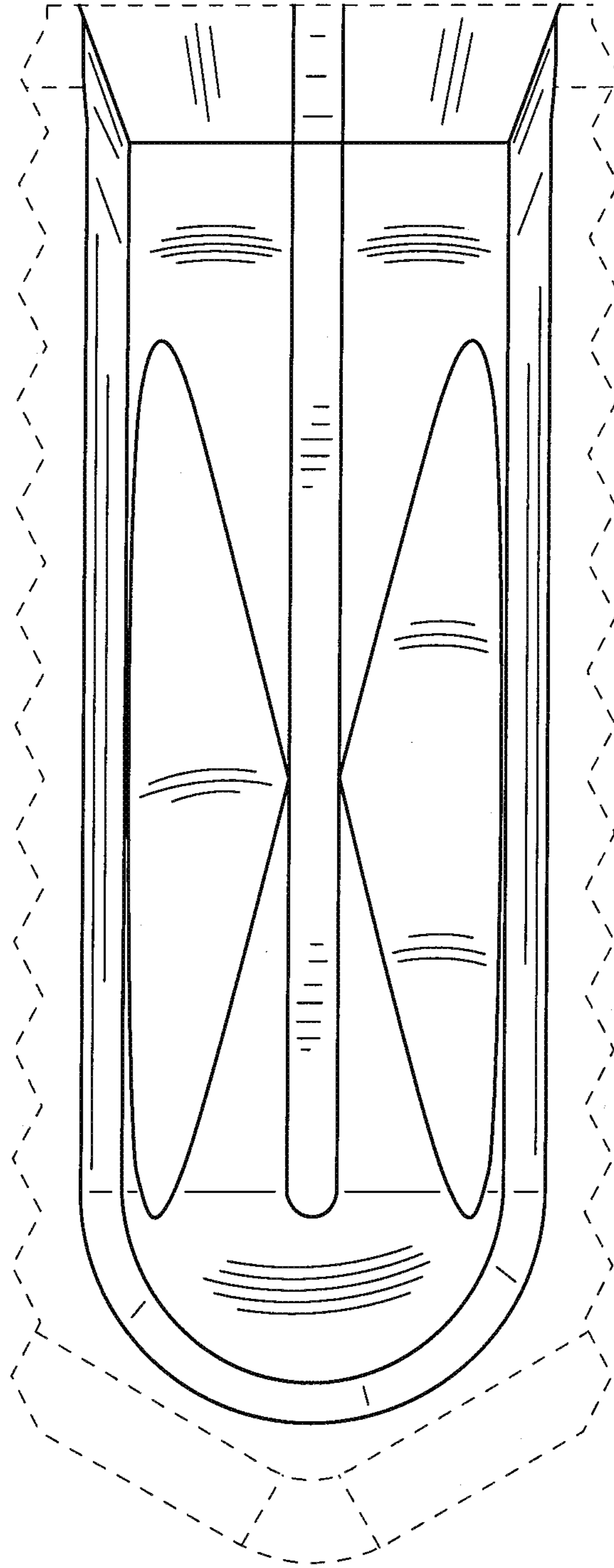


FIG.4

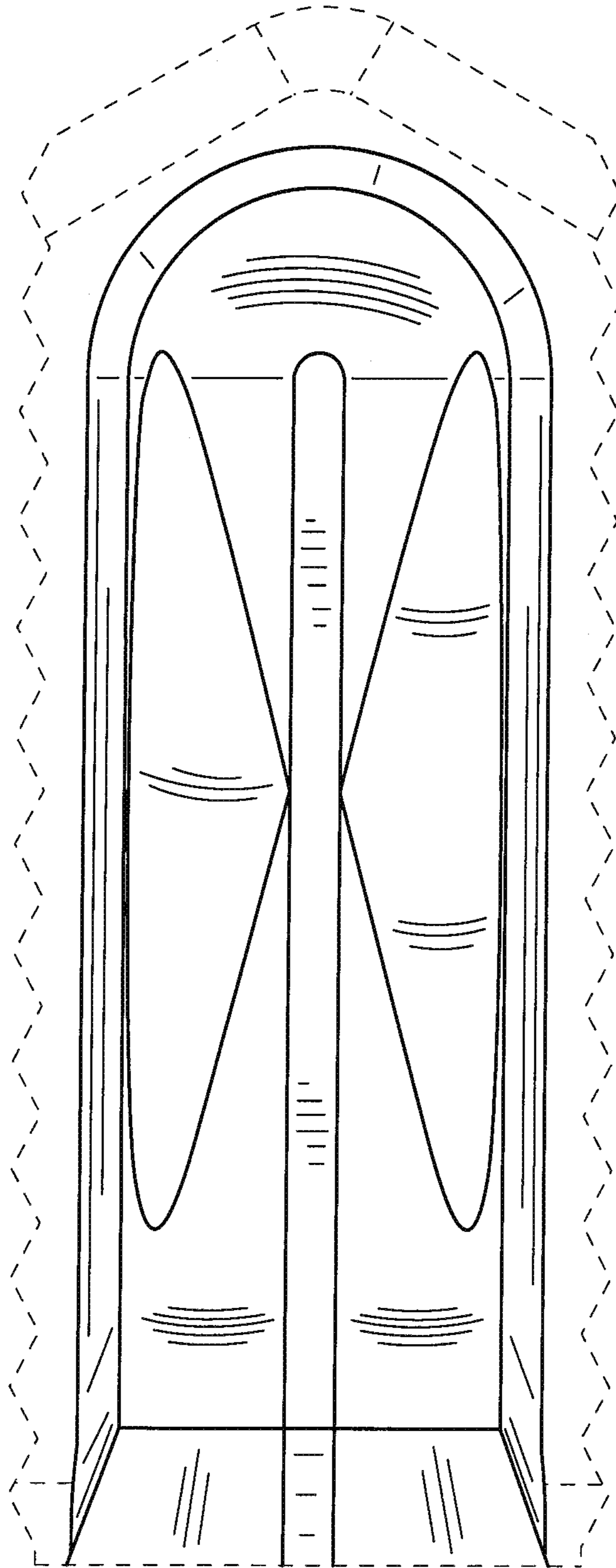


FIG.5

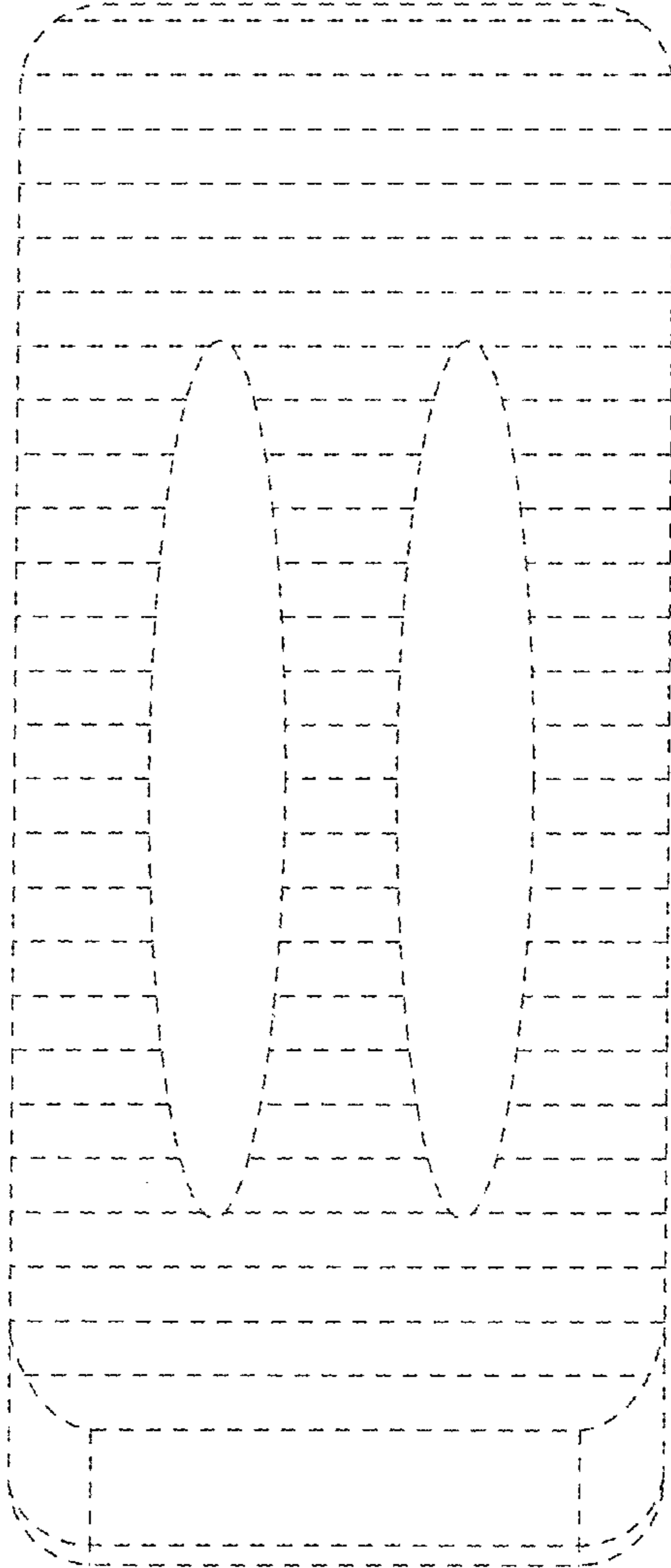


FIG. 6



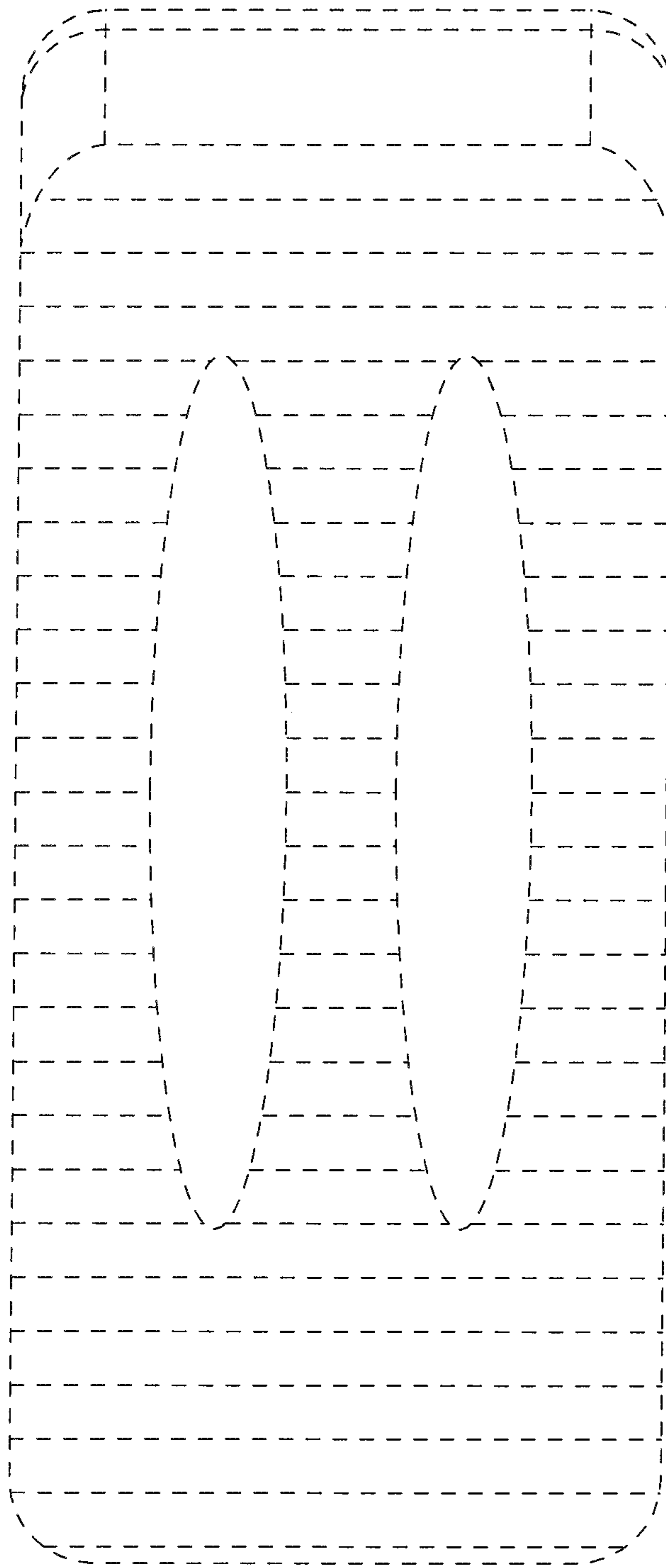


FIG.7