



US00D789538S

(12) **United States Design Patent**  
**McMurtrey**

(10) **Patent No.:** **US D789,538 S**  
(45) **Date of Patent:** **\*\* Jun. 13, 2017**

(54) **ARTIFICIAL COMPOSITE NEURAL TISSUE  
CONSTRUCT DEVICE**

(71) Applicant: **Richard J. McMurtrey**, Orem, UT  
(US)

(72) Inventor: **Richard J. McMurtrey**, Orem, UT  
(US)

(\*\*) Term: **14 Years**

(21) Appl. No.: **29/499,603**

(22) Filed: **Aug. 15, 2014**

(51) **LOC (10) Cl.** ..... **24-02**

(52) **U.S. Cl.**  
USPC ..... **D24/155**

(58) **Field of Classification Search**  
USPC ..... D24/155  
CPC .... C12N 5/0697; C12N 5/0062; C12M 21/08;  
C12M 23/06; C12M 25/02  
See application file for complete search history.

(56) **References Cited**

**U.S. PATENT DOCUMENTS**

- 7,655,457 B2 \* 2/2010 Kuwabara ..... C12M 21/08  
435/283.1
- 7,745,209 B2 \* 6/2010 Martin ..... C12M 23/04  
435/294.1
- 7,759,113 B2 \* 7/2010 Vacanti ..... A61L 27/3604  
424/422
- 8,251,687 B2 \* 8/2012 Bertholdt ..... A61L 27/20  
425/117

- 8,500,822 B2 \* 8/2013 Morita ..... A61L 27/36  
424/93.7
- 8,546,117 B2 \* 10/2013 Kruse ..... C12N 5/0062  
435/174
- 8,747,880 B2 \* 6/2014 Forgacs ..... A61F 2/04  
424/422

\* cited by examiner

*Primary Examiner* — Charles Hanson

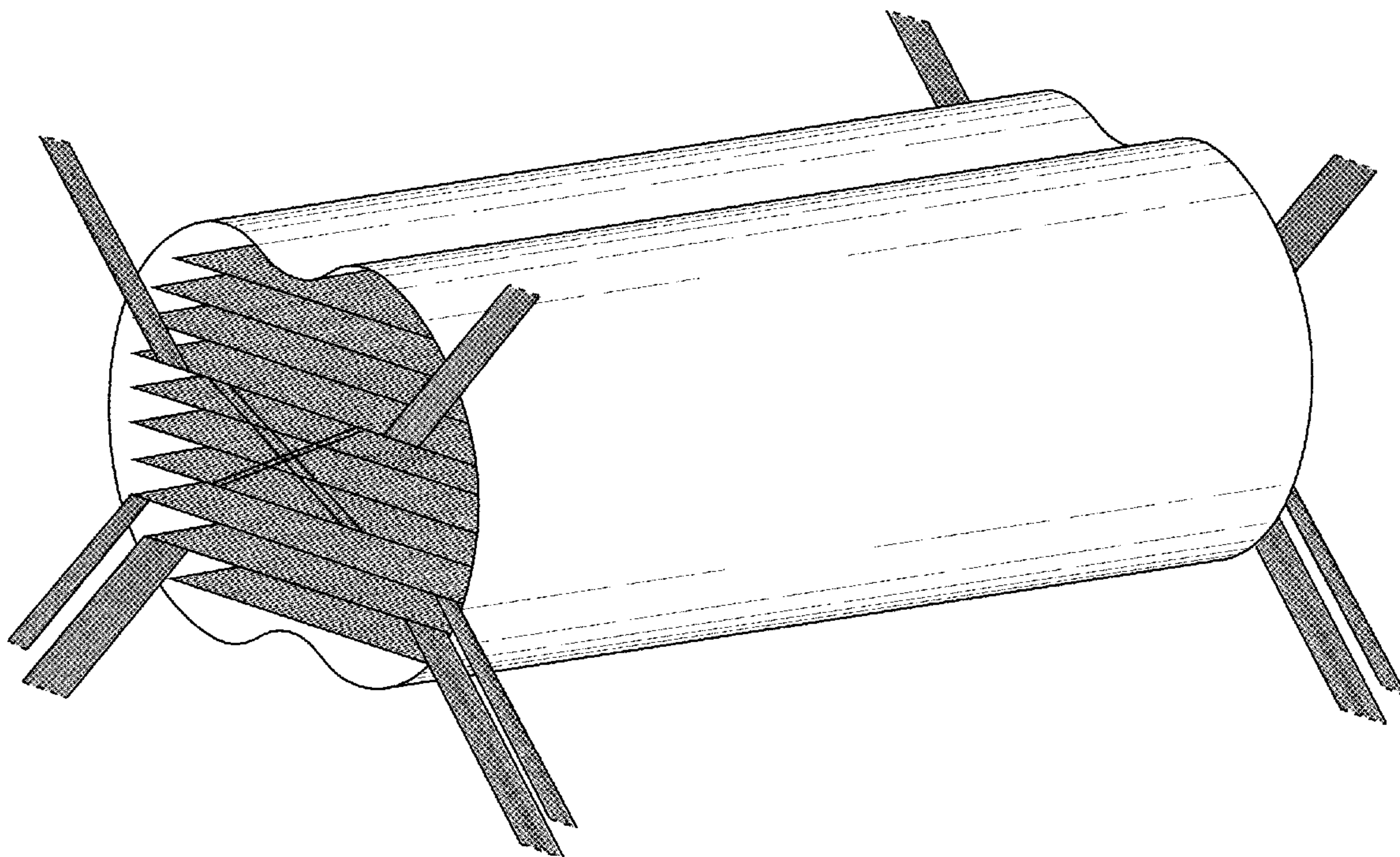
(57) **CLAIM**

I claim the ornamental design for an artificial composite neural tissue construct device, as shown and described.

**DESCRIPTION**

FIG. 1 is a perspective view of an artificial composite neural tissue construct device showing my new design;  
 FIG. 2 is a side view thereof;  
 FIG. 3 is a side view thereof;  
 FIG. 4 is a front view thereof, the back view being the same;  
 FIG. 5 is a perspective view thereof, including a magnified inset of the layered fibers;  
 FIG. 6 is a further magnified view of the layered fibers; and,  
 FIG. 7 is a perspective view thereof; including a magnified inset of the extension fibers.  
 The broken line showing at the end of the extension fibers is included for the purpose of illustration portions that do not form part of the claimed design.

**1 Claim, 7 Drawing Sheets**



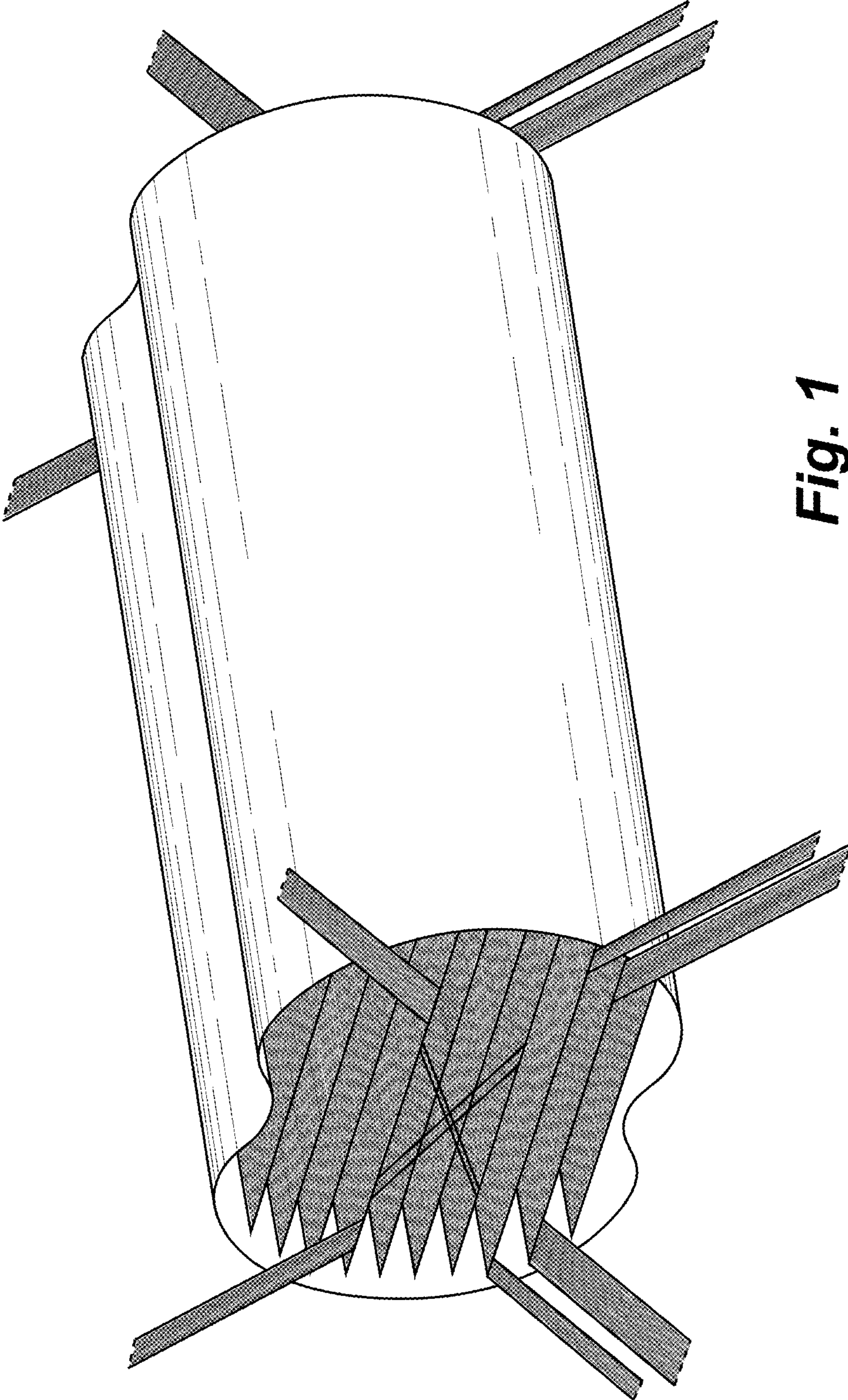
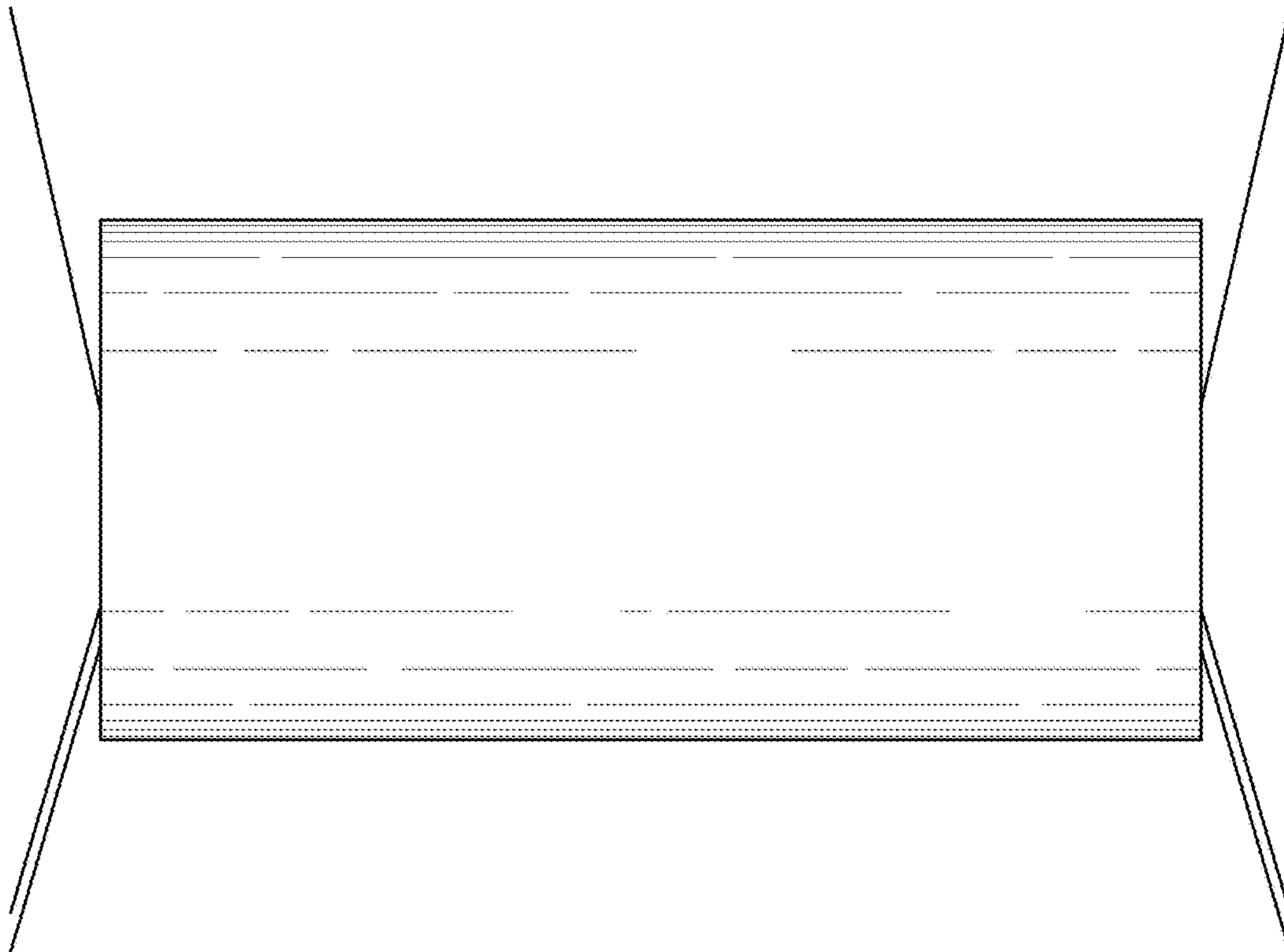
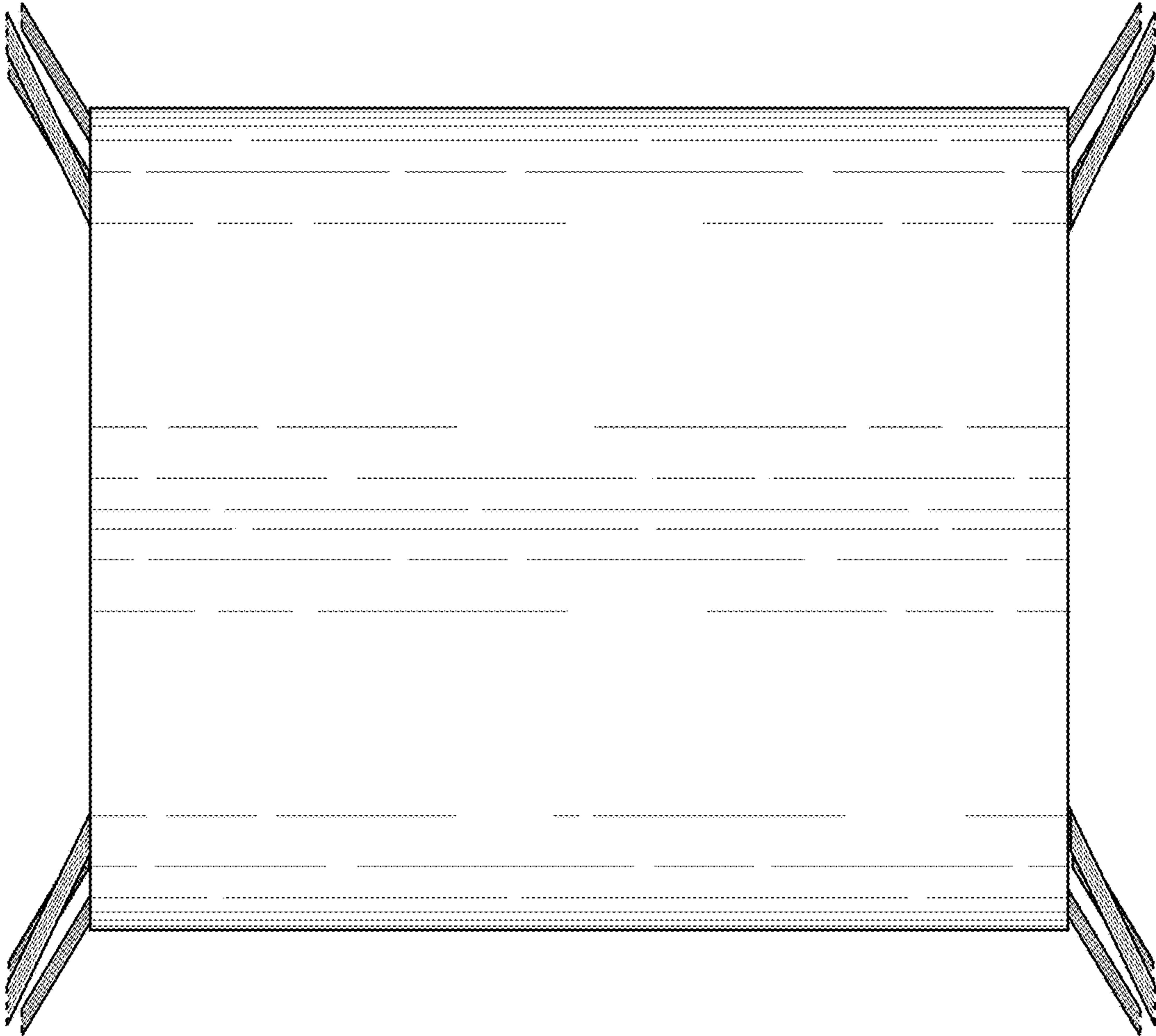


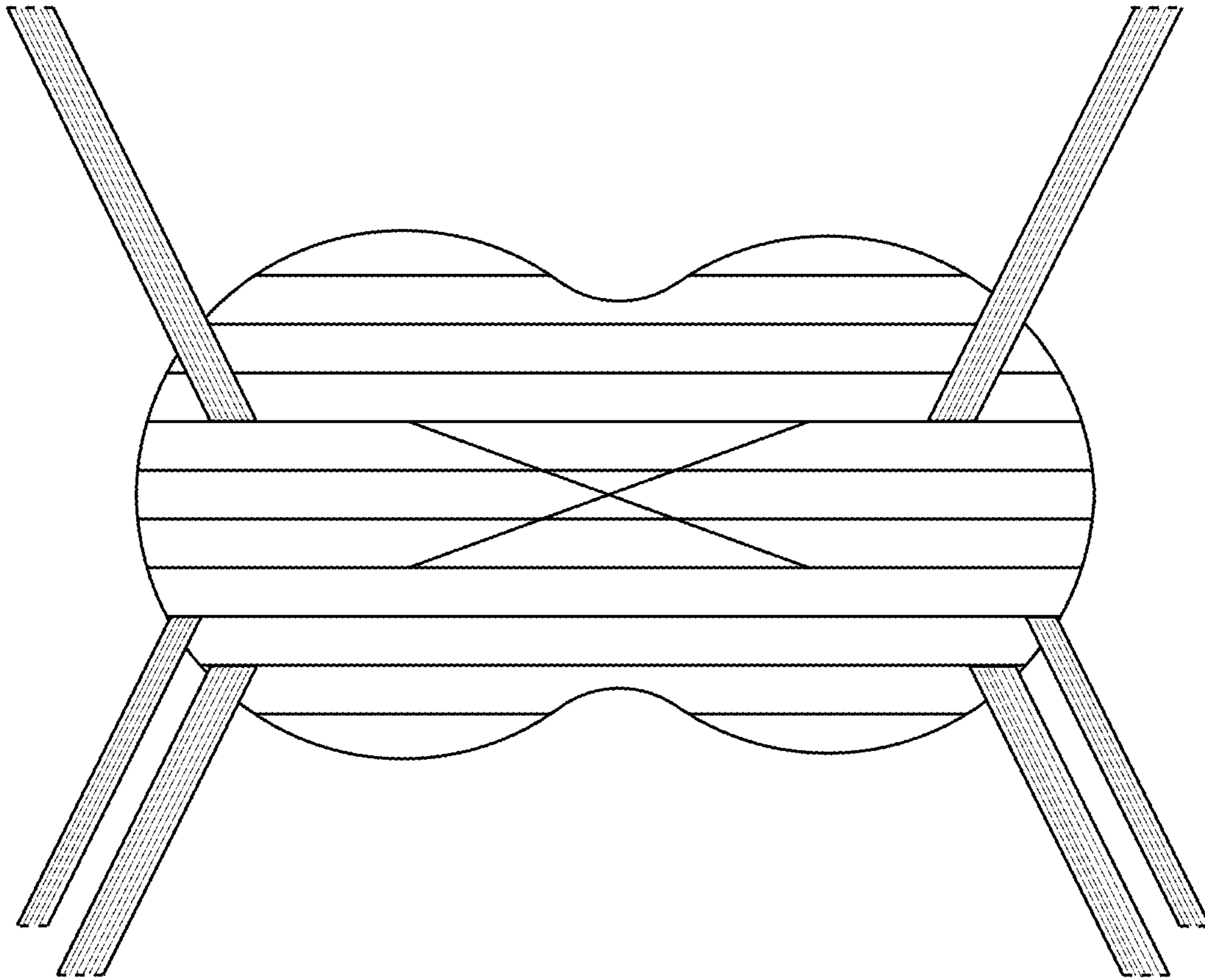
Fig. 1



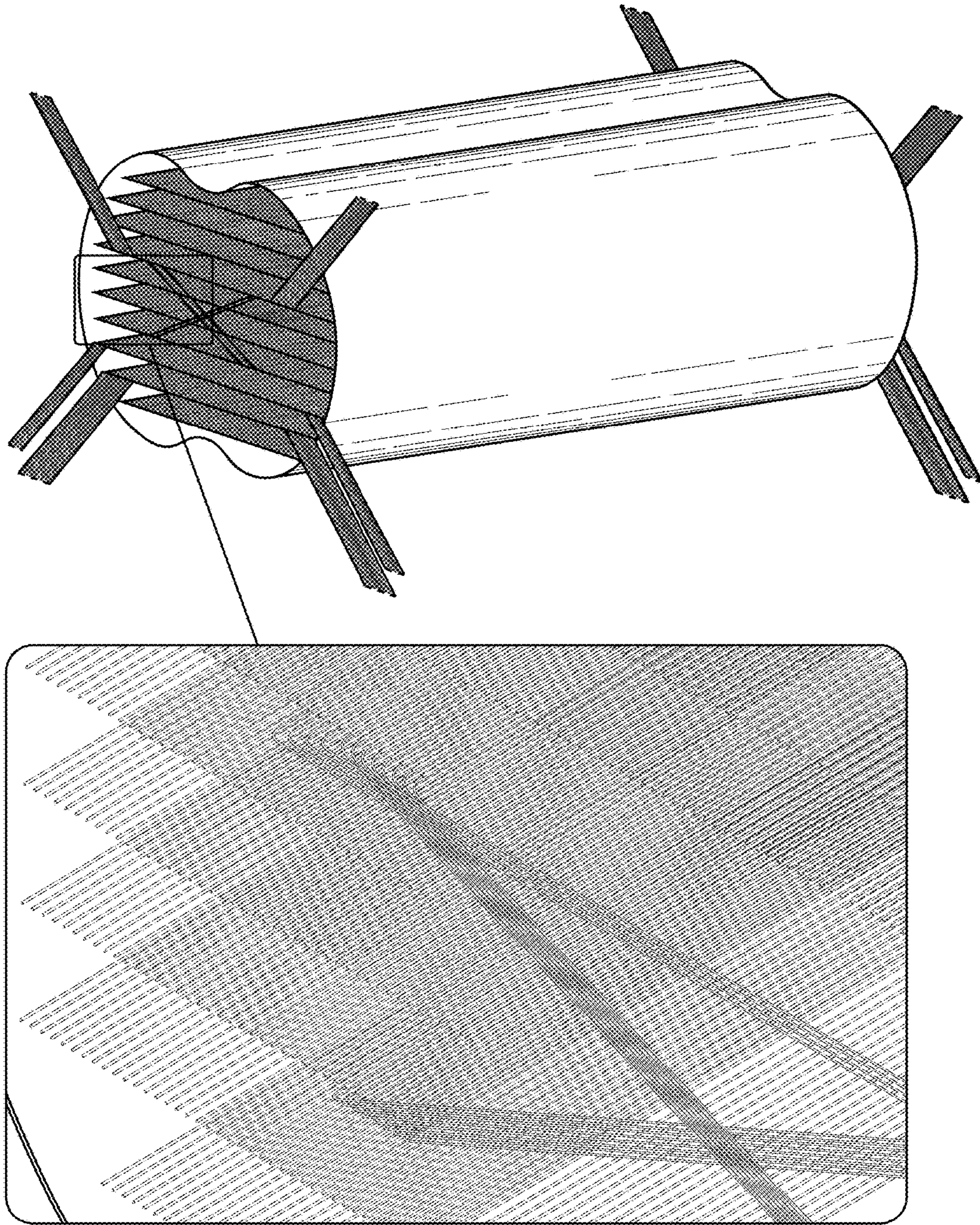
**Fig. 2**



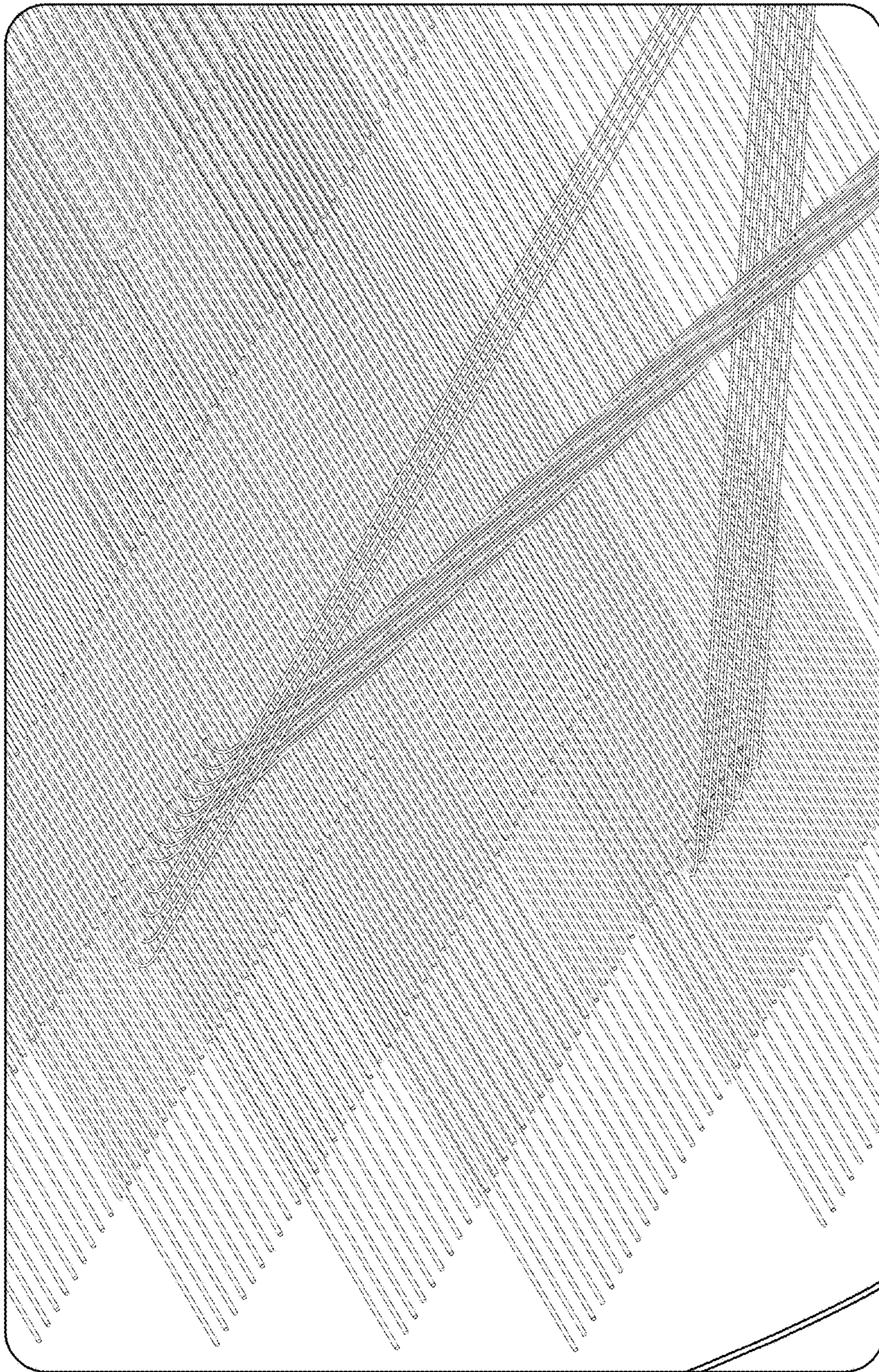
**Fig. 3**



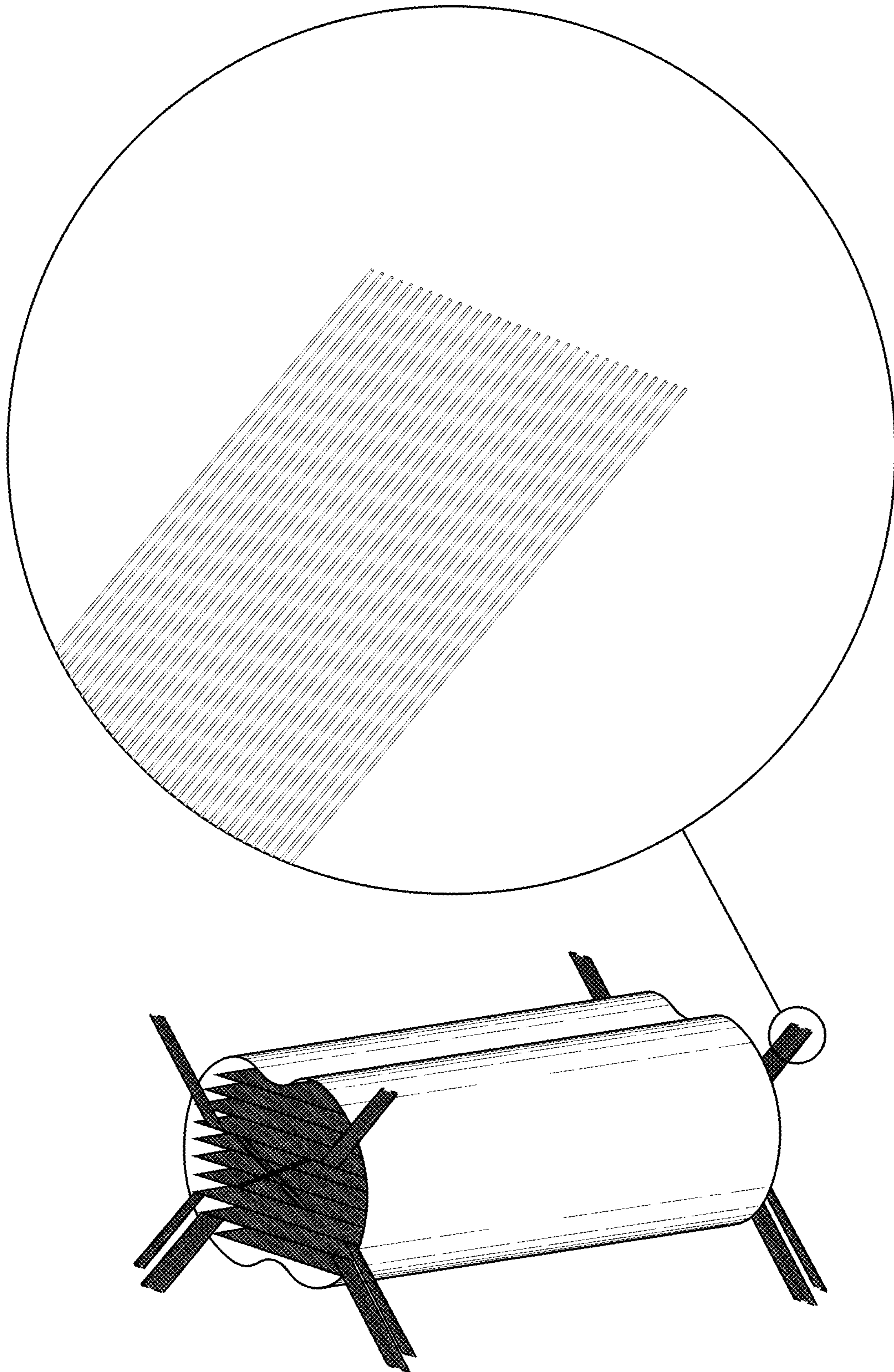
**Fig. 4**



**Fig. 5**



**Fig. 6**



**Fig. 7**