



US00D789537S

(12) **United States Design Patent**  
**Korenfeld et al.**

(10) **Patent No.:** **US D789,537 S**  
(45) **Date of Patent:** **\*\* \*Jun. 13, 2017**

(54) **OPHTHALMIC SURGICAL MANIPULATOR**

(71) Applicant: **Katalyst Surgical, LLC**, Chesterfield, MO (US)

(72) Inventors: **Michael S Korenfeld**, Wildwood, MO (US); **Gregg D Scheller**, Wildwood, MO (US); **Eric J Bass**, Webster Groves, MO (US)

(73) Assignee: **Katalyst Surgical, LLC**, Chesterfield, MO (US)

(\*) Notice: This patent is subject to a terminal disclaimer.

(\*\*) Term: **14 Years**

(21) Appl. No.: **29/524,133**

(22) Filed: **Apr. 16, 2015**

(51) **LOC (10) Cl.** ..... **24-02**

(52) **U.S. Cl.**  
USPC ..... **D24/150**

(58) **Field of Classification Search**  
USPC ..... D24/147, 146, 144, 150, 172; 606/167, 606/161, 166, 107, 4-6; 30/346; D8/20  
CPC ..... A61F 9/007; A61F 9/00709; A61F 2009/00885; A61F 2009/00887; A61F 2009/00889; A61F 9/00825; A61F 2009/00872; A61B 17/3211; A61B 17/32  
See application file for complete search history.

(56) **References Cited**

**U.S. PATENT DOCUMENTS**

- 4,706,666 A \* 11/1987 Sheets ..... A61F 2/1662  
606/107
- 4,739,761 A \* 4/1988 Grandon ..... A61F 9/0136  
606/166
- 5,451,230 A \* 9/1995 Steinert ..... A61F 9/00736  
606/1

- D393,067 S \* 3/1998 Geary ..... D24/144
- D393,715 S \* 4/1998 Strickland ..... D24/133
- D453,222 S \* 1/2002 Garito ..... D24/144
- D463,555 S \* 9/2002 Etter ..... D24/143
- 6,800,076 B2 \* 10/2004 Humayun ..... A61M 1/008  
128/898
- 6,926,728 B2 \* 8/2005 Zucherman ..... A61M 29/00  
606/190
- D565,733 S \* 4/2008 Andre ..... D24/133
- D625,412 S \* 10/2010 Garito ..... D24/144
- D637,720 S \* 5/2011 Folwaczny ..... D24/150
- D642,266 S \* 7/2011 Marsteller ..... D24/144

(Continued)

*Primary Examiner* — Lakiya Rogers

*Assistant Examiner* — Carissa C Fitts

(74) *Attorney, Agent, or Firm* — Kevin P. Rollins

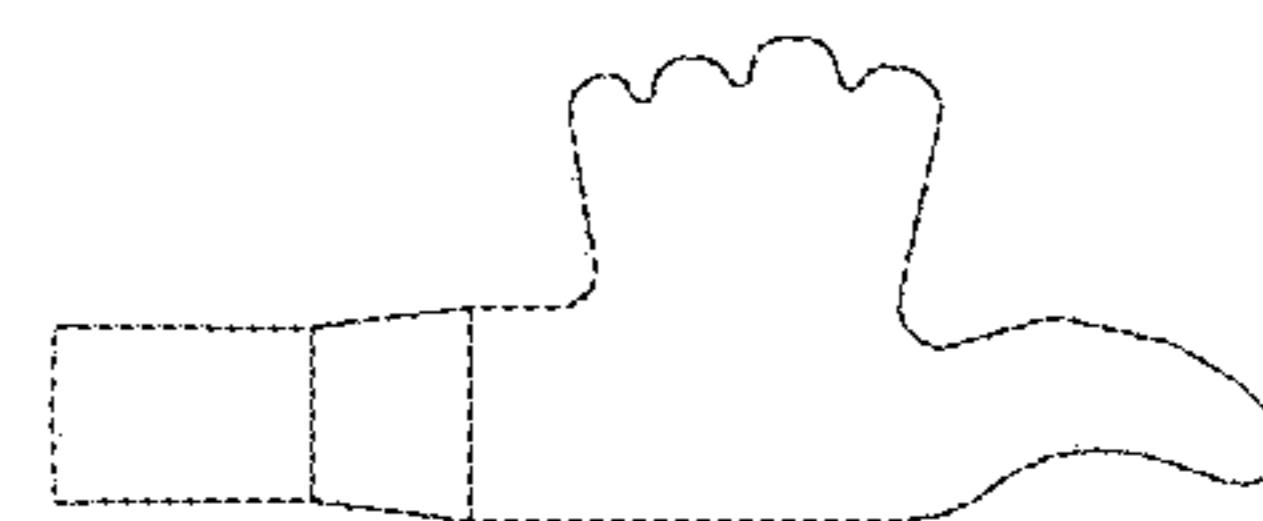
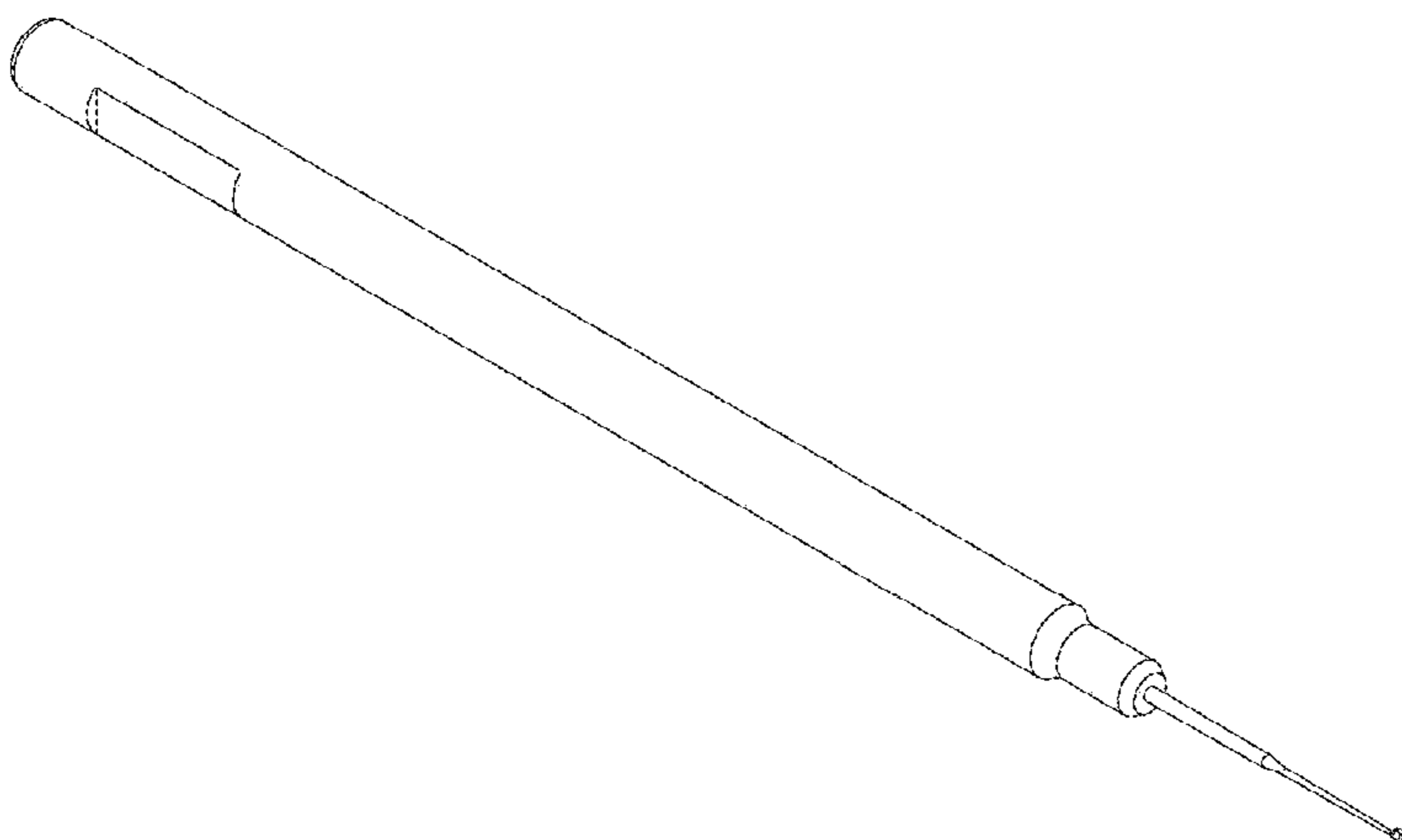
(57) **CLAIM**

We claim the ornamental design for an ophthalmic surgical manipulator, as substantially shown and described.

**DESCRIPTION**

FIG. 1 is a perspective view of an ophthalmic surgical manipulator showing our new design;  
 FIG. 2 is a top view of an ophthalmic surgical manipulator;  
 FIG. 3 is a top partial view of a tip portion of an ophthalmic surgical manipulator;  
 FIG. 4 is a bottom view of an ophthalmic surgical manipulator;  
 FIG. 5 is a bottom partial view of a tip portion of an ophthalmic surgical manipulator;  
 FIG. 6 is a side view of an ophthalmic surgical manipulator;  
 FIG. 7 is side partial view of a tip portion of an ophthalmic surgical manipulator;  
 FIG. 8 is an enlarged front view of an ophthalmic surgical manipulator; and,  
 FIG. 9 is an enlarged back view of an ophthalmic surgical manipulator.

**1 Claim, 6 Drawing Sheets**



(56)

**References Cited**

U.S. PATENT DOCUMENTS

8,052,705 B2 \* 11/2011 Bar-On ..... A61F 9/00736  
D24/150  
D694,891 S \* 12/2013 Dietrich ..... A61F 9/00736  
606/161  
D752,748 S \* 3/2016 Van Dalen ..... D24/172  
2002/0115902 A1 \* 8/2002 Dejuan, Jr. .... A61N 5/1017  
600/3  
2009/0112258 A1 \* 4/2009 Kreidler ..... A61B 17/06066  
606/222

\* cited by examiner

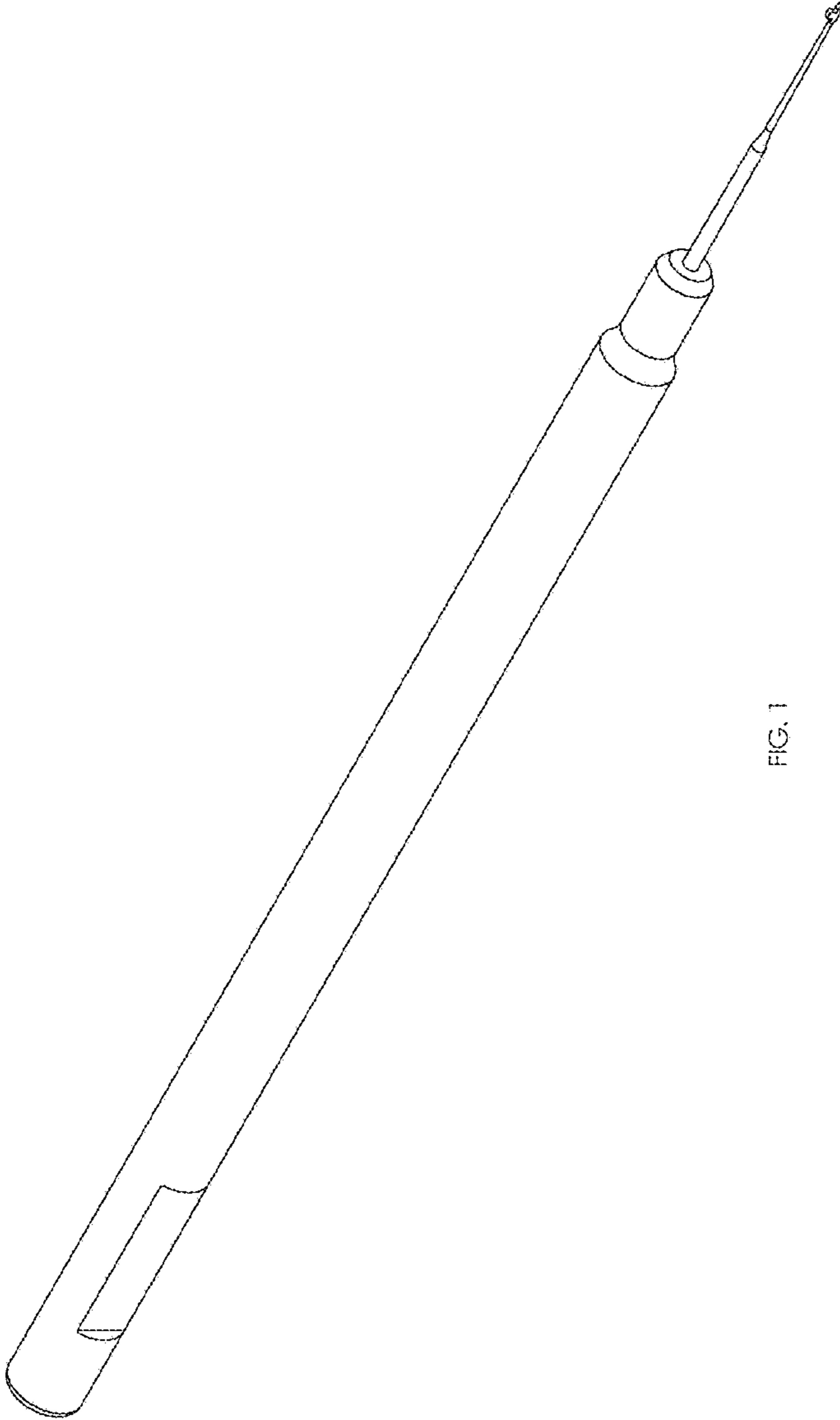


FIG. 1

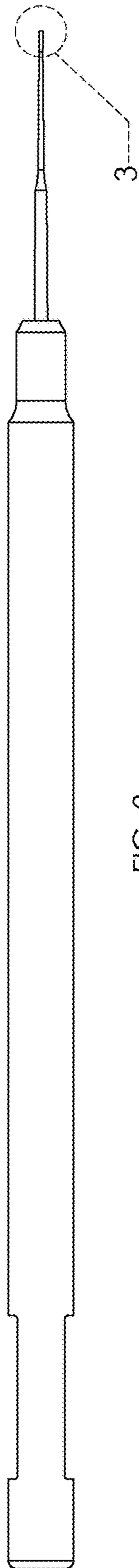


FIG. 2

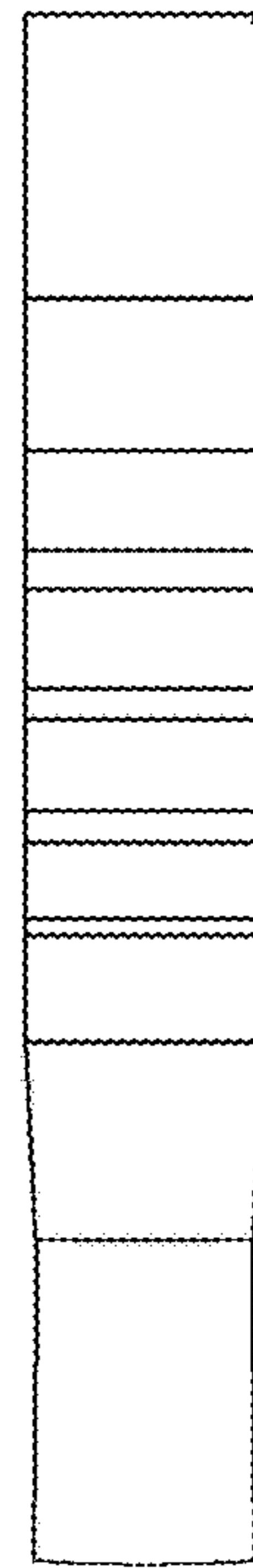


FIG. 3

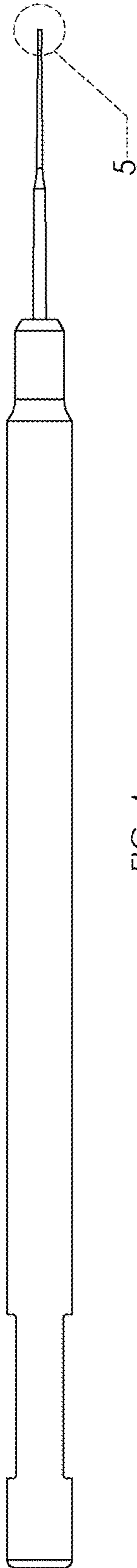


FIG. 4

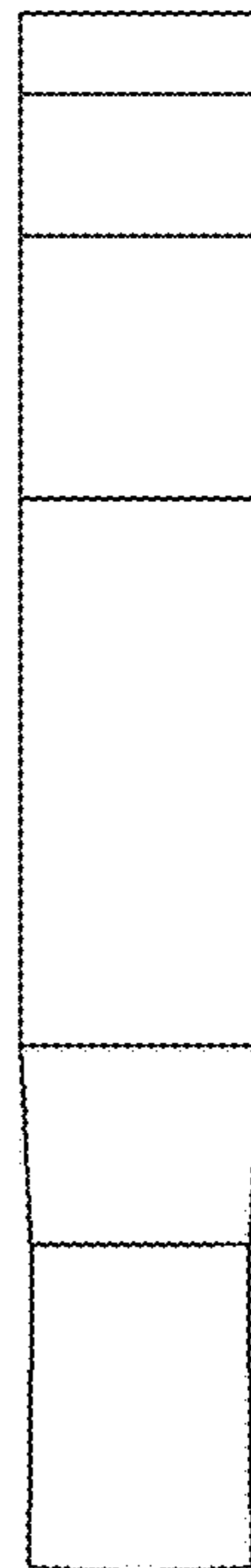


FIG. 5

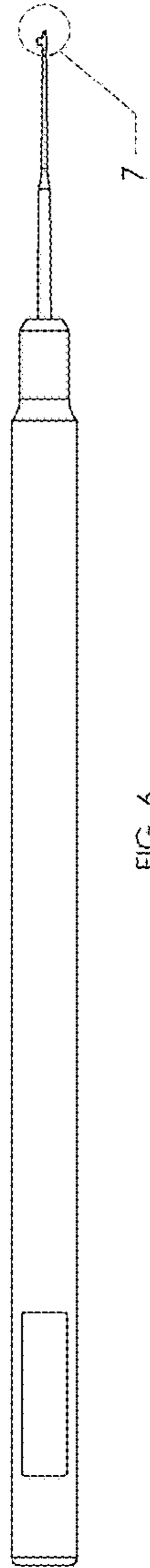


FIG. 6

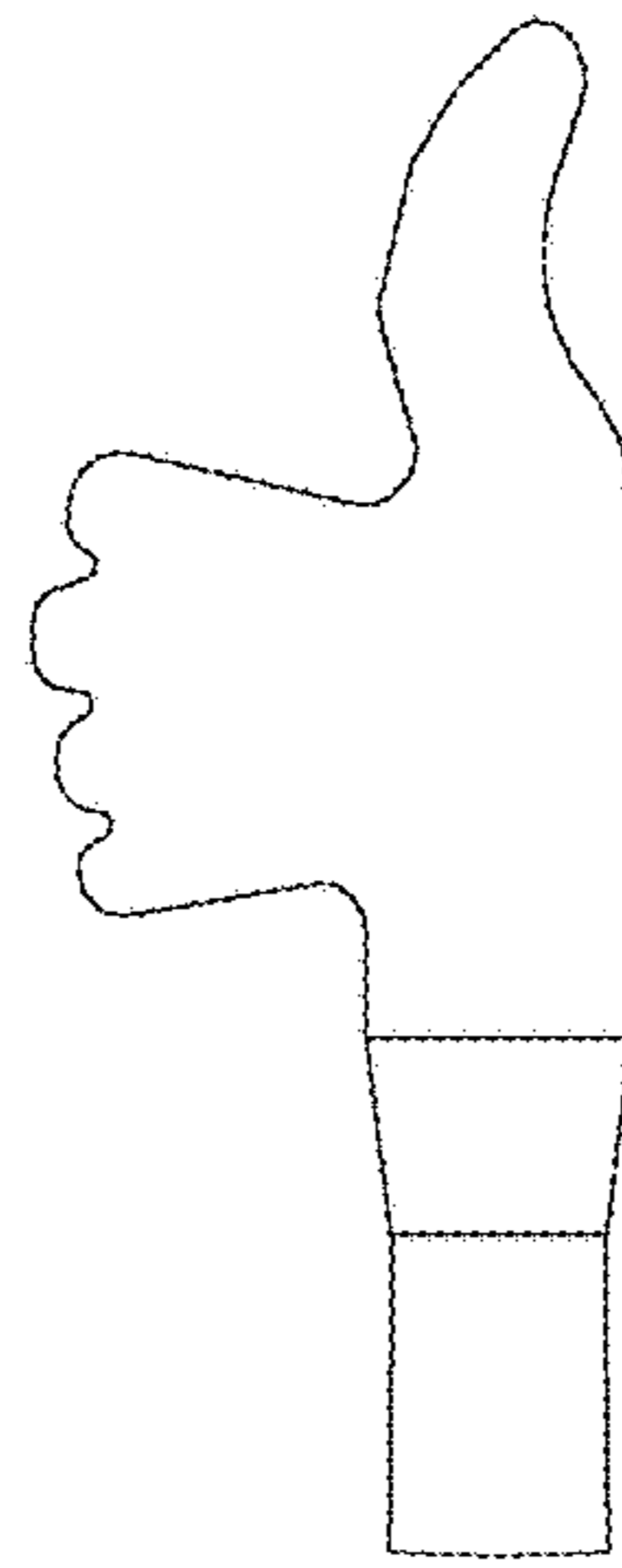


FIG. 7

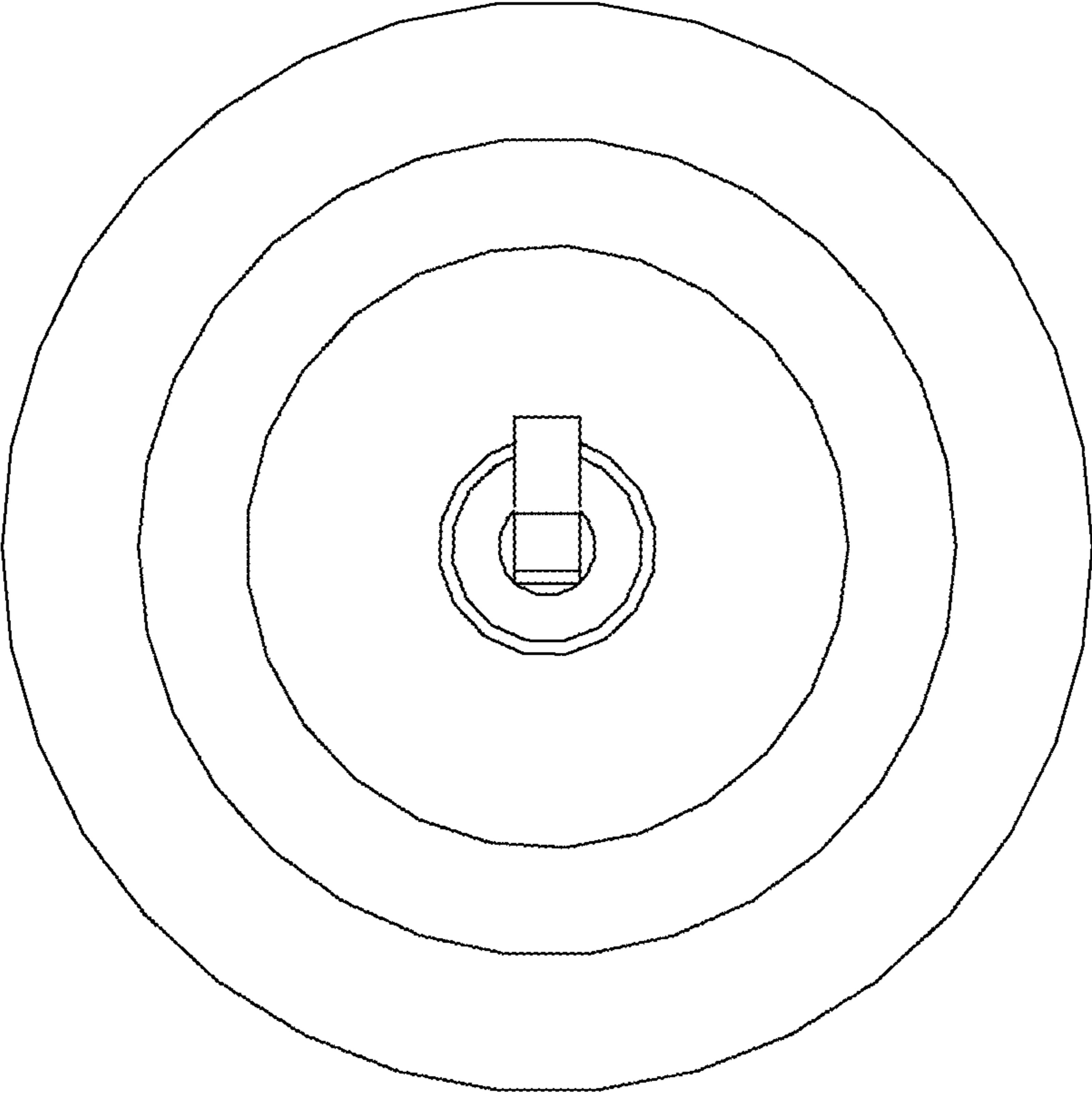


FIG. 8

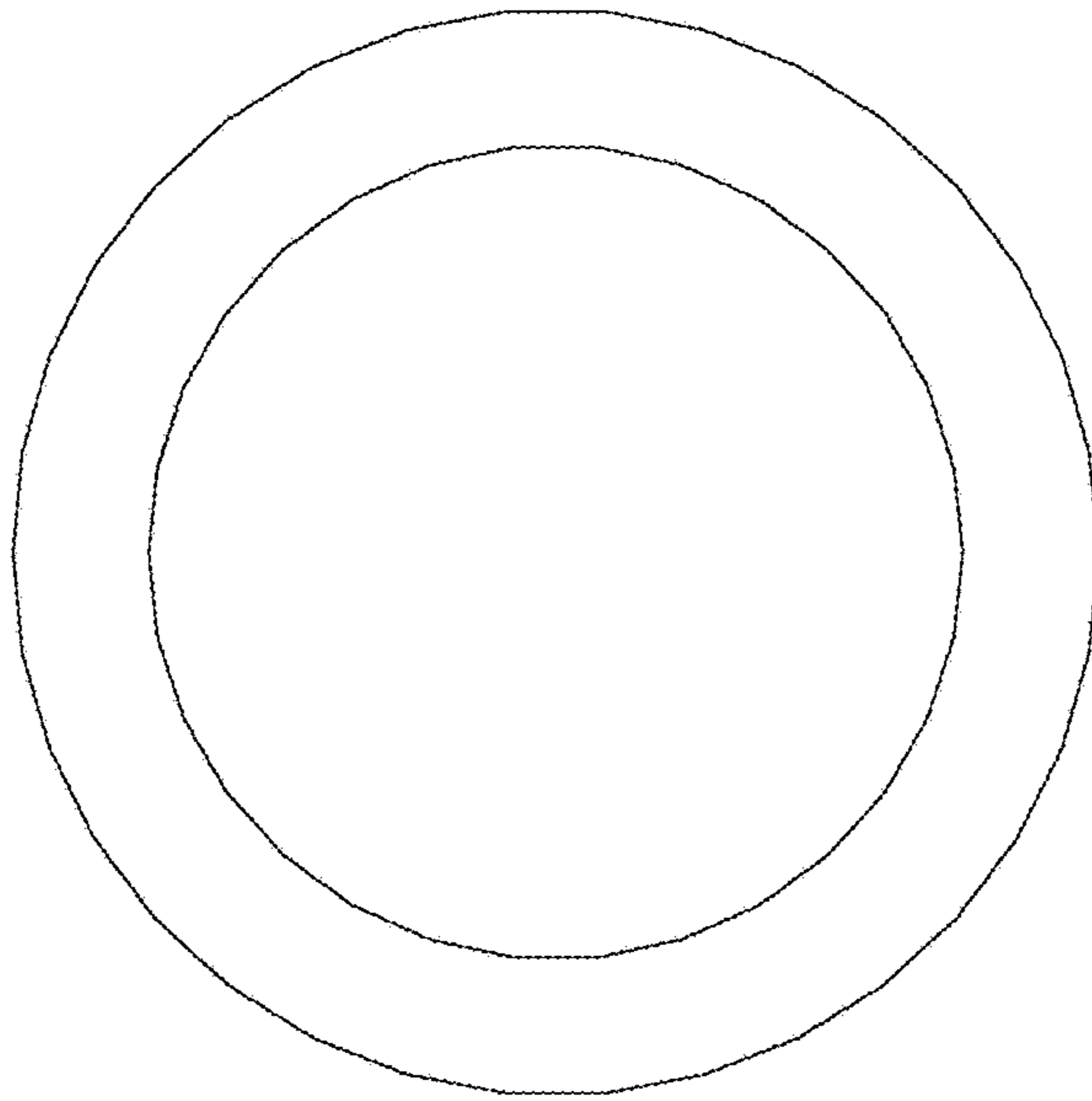


FIG. 9