



US00D789536S

(12) **United States Design Patent**
Korenfeld et al.

(10) **Patent No.:** **US D789,536 S**

(45) **Date of Patent:** **** Jun. 13, 2017**

(54) **OPHTHALMIC SURGICAL MANIPULATOR**

(71) Applicant: **Katalyst Surgical, LLC**, Chesterfield, MO (US)

(72) Inventors: **Michael S Korenfeld**, Wildwood, MO (US); **Gregg D Scheller**, Wildwood, MO (US); **Eric J Bass**, Webster Groves, MO (US)

(73) Assignee: **Katalyst Surgical, LLC**, Chesterfield, MO (US)

(**) Term: **14 Years**

(21) Appl. No.: **29/524,131**

(22) Filed: **Apr. 16, 2015**

(51) **LOC (10) Cl.** **24-02**

(52) **U.S. Cl.**
USPC **D24/150**

(58) **Field of Classification Search**
USPC D24/147, 146, 144, 150, 172; 606/167, 606/161, 166, 107, 4-6; 30/346; D8/20
CPC A61F 9/007; A61F 9/00709; A61F 2009/00885; A61F 2009/00887; A61F 2009/00889; A61F 9/00825; A61F 2009/00872; A61B 17/3211; A61B 17/32
See application file for complete search history.

(56) **References Cited**

U.S. PATENT DOCUMENTS

- 4,706,666 A * 11/1987 Sheets A61F 2/1662 606/107
- 4,739,761 A * 4/1988 Grandon A61F 9/0136 606/166
- 5,451,230 A * 9/1995 Steinert A61F 9/00736 606/1
- D393,067 S * 3/1998 Geary D24/144
- D393,715 S * 4/1998 Strickland D24/133

- D453,222 S * 1/2002 Garito D24/144
- D463,555 S * 9/2002 Etter D24/143
- 6,800,076 B2 * 10/2004 Humayun A61M 1/008 128/898
- 6,926,728 B2 * 8/2005 Zucherman A61M 29/00 606/190
- D565,733 S * 4/2008 Andre D24/133
- D625,412 S * 10/2010 Garito D24/144
- D642,266 S * 7/2011 Marsteller D24/150
- 8,052,705 B2 * 11/2011 Bar-On A61F 9/00736 606/161
- D694,891 S * 12/2013 Dietrich D24/172

(Continued)

Primary Examiner — Lakiya Rogers

Assistant Examiner — Carissa C Fitts

(74) *Attorney, Agent, or Firm* — Kevin P. Rollins

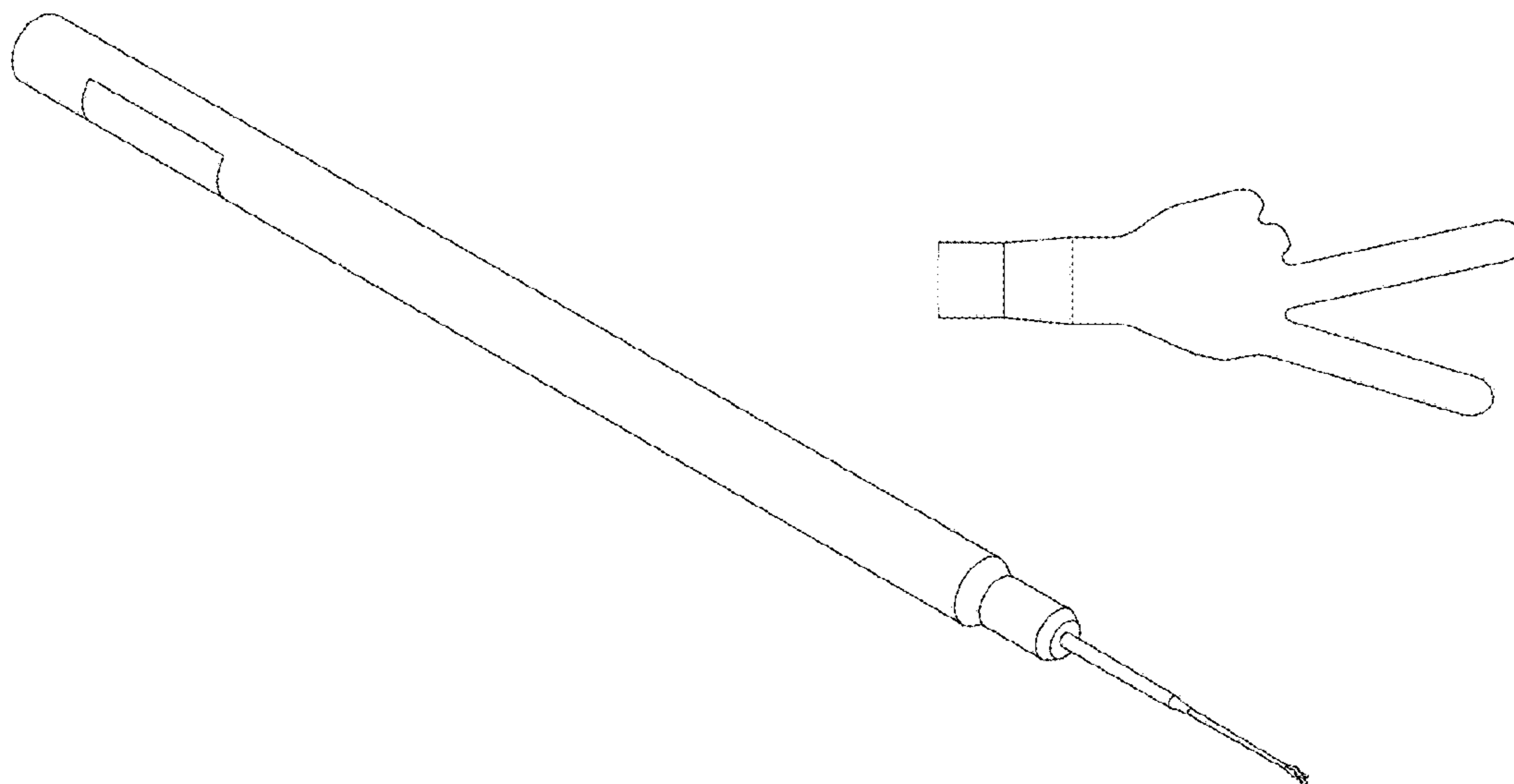
(57) **CLAIM**

We claim the ornamental design for an ophthalmic surgical manipulator, as substantially shown and described.

DESCRIPTION

FIG. 1 is a perspective view of an ophthalmic surgical manipulator showing our new design;
 FIG. 2 is a top view of an ophthalmic surgical manipulator;
 FIG. 3 is a top partial view of a tip portion of an ophthalmic surgical manipulator;
 FIG. 4 is a bottom view of an ophthalmic surgical manipulator;
 FIG. 5 is a bottom partial view of a tip portion of an ophthalmic surgical manipulator;
 FIG. 6 is a side view of an ophthalmic surgical manipulator;
 FIG. 7 is side partial view of a tip portion of an ophthalmic surgical manipulator;
 FIG. 8 is an enlarged front view of an ophthalmic surgical manipulator; and,
 FIG. 9 is an enlarged back view of an ophthalmic surgical manipulator.

1 Claim, 6 Drawing Sheets



(56)

References Cited

U.S. PATENT DOCUMENTS

D752,748 S * 3/2016 Van Dalen D24/150
2002/0115902 A1* 8/2002 Dejuan A61N 5/1017
600/3
2009/0112258 A1* 4/2009 Kreidler A61B 17/06066
606/222

* cited by examiner

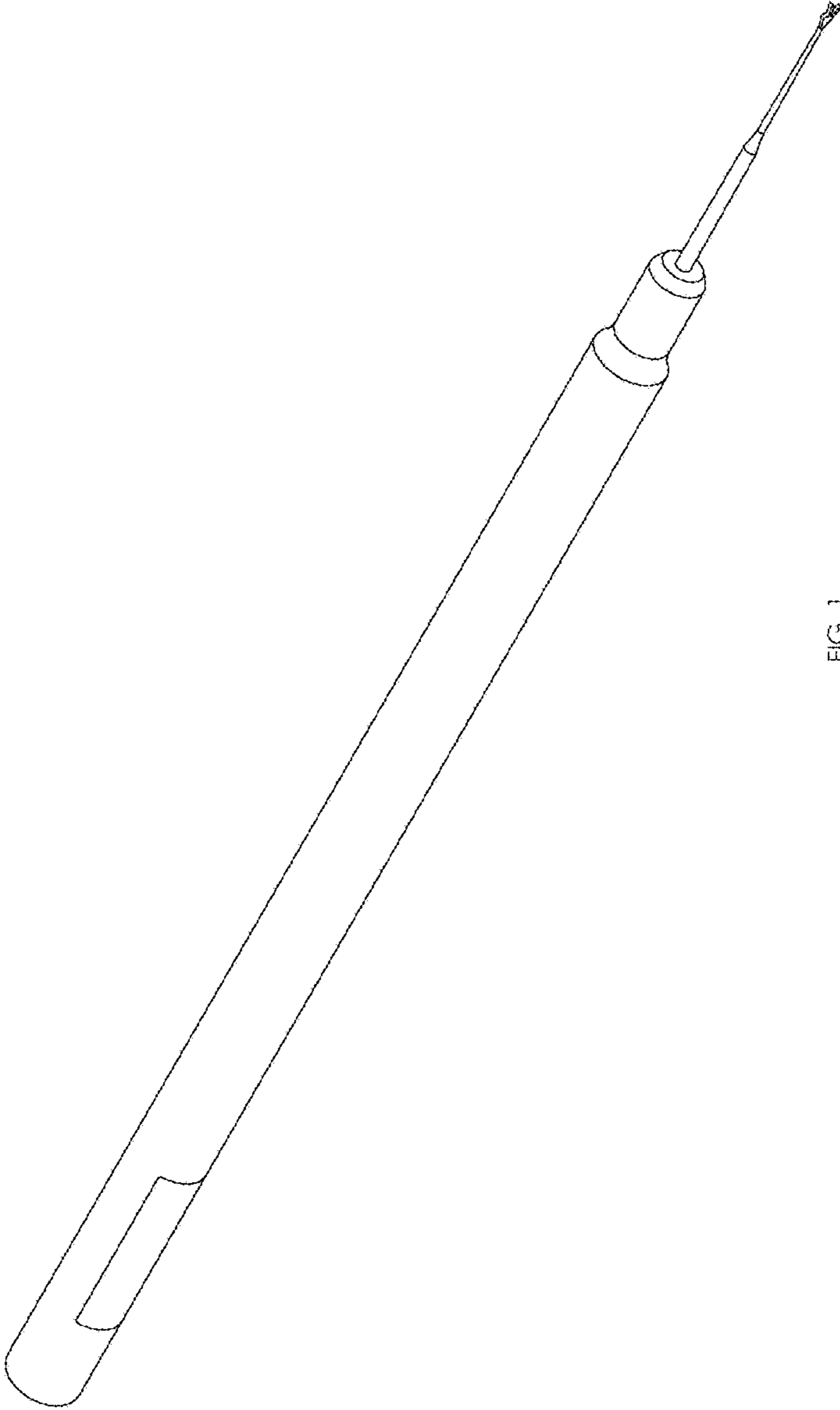


FIG. 1

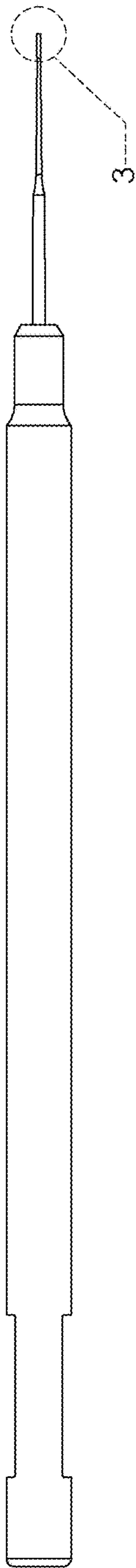


FIG. 2

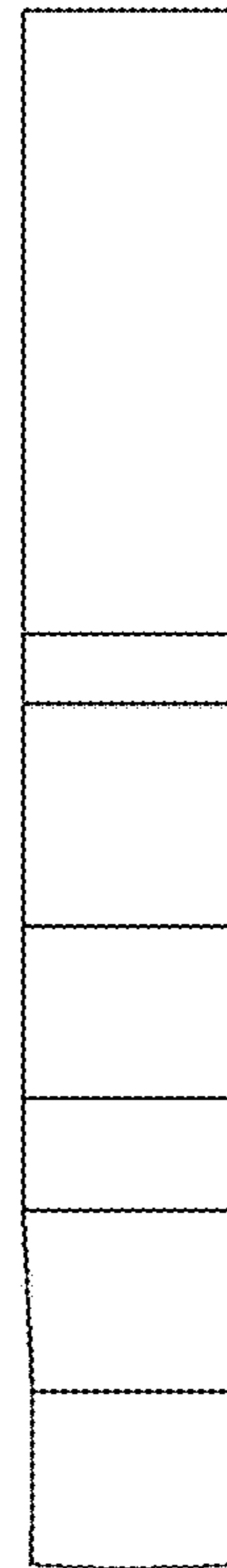


FIG. 3

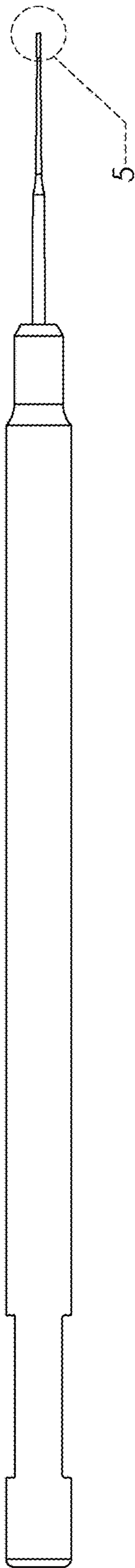


FIG. 4



FIG. 5

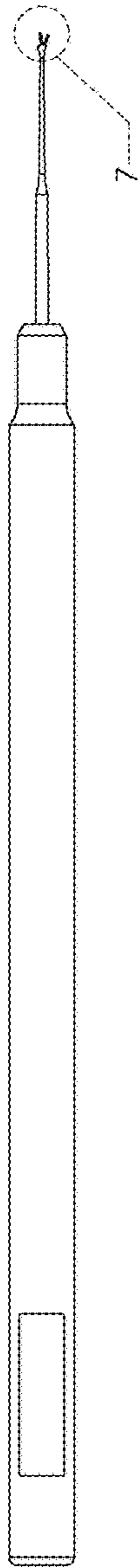


FIG. 6

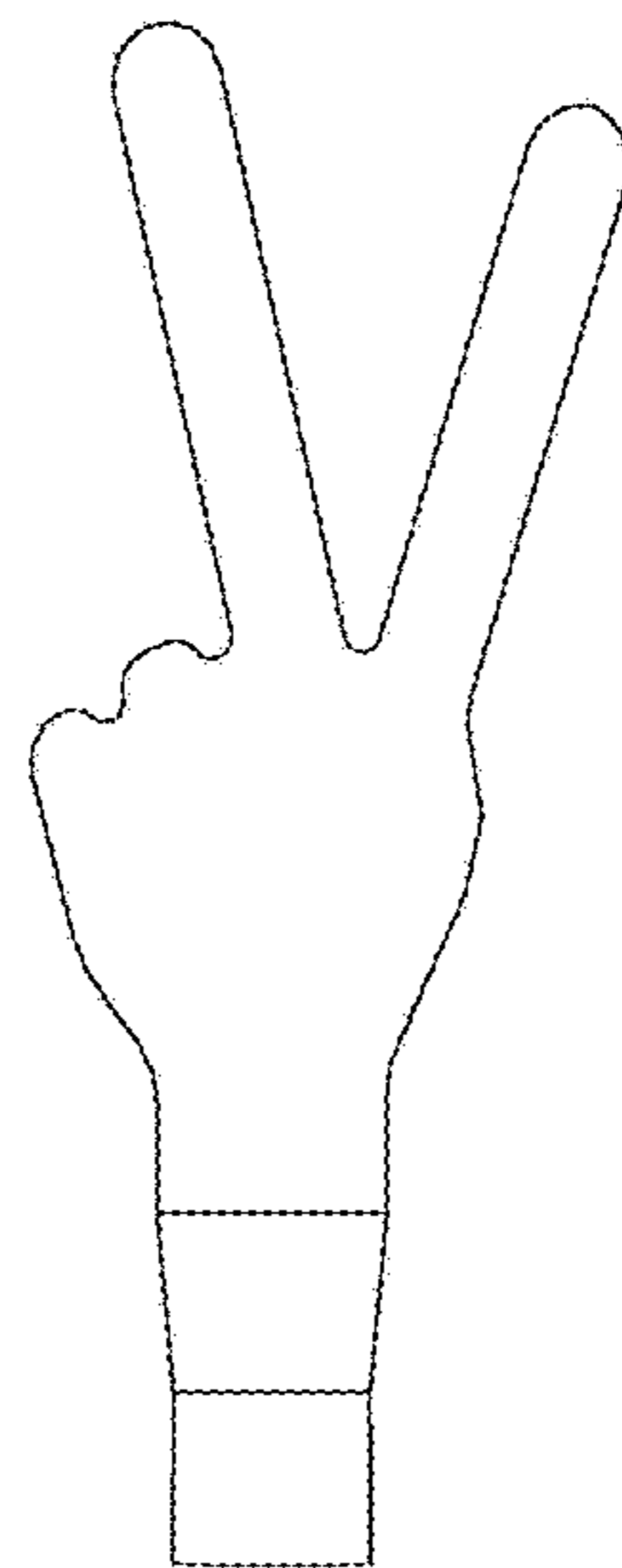


FIG. 7

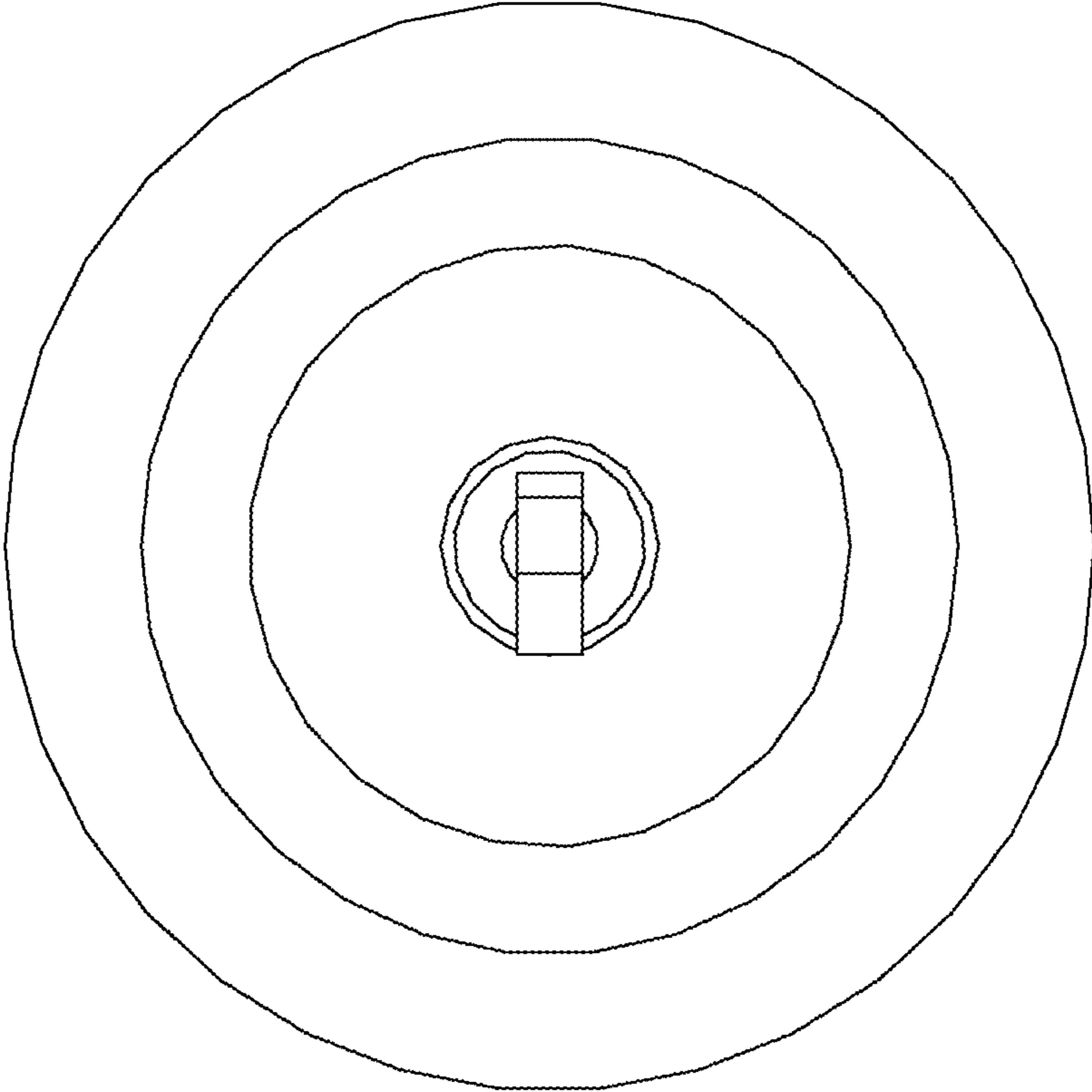


FIG. 8

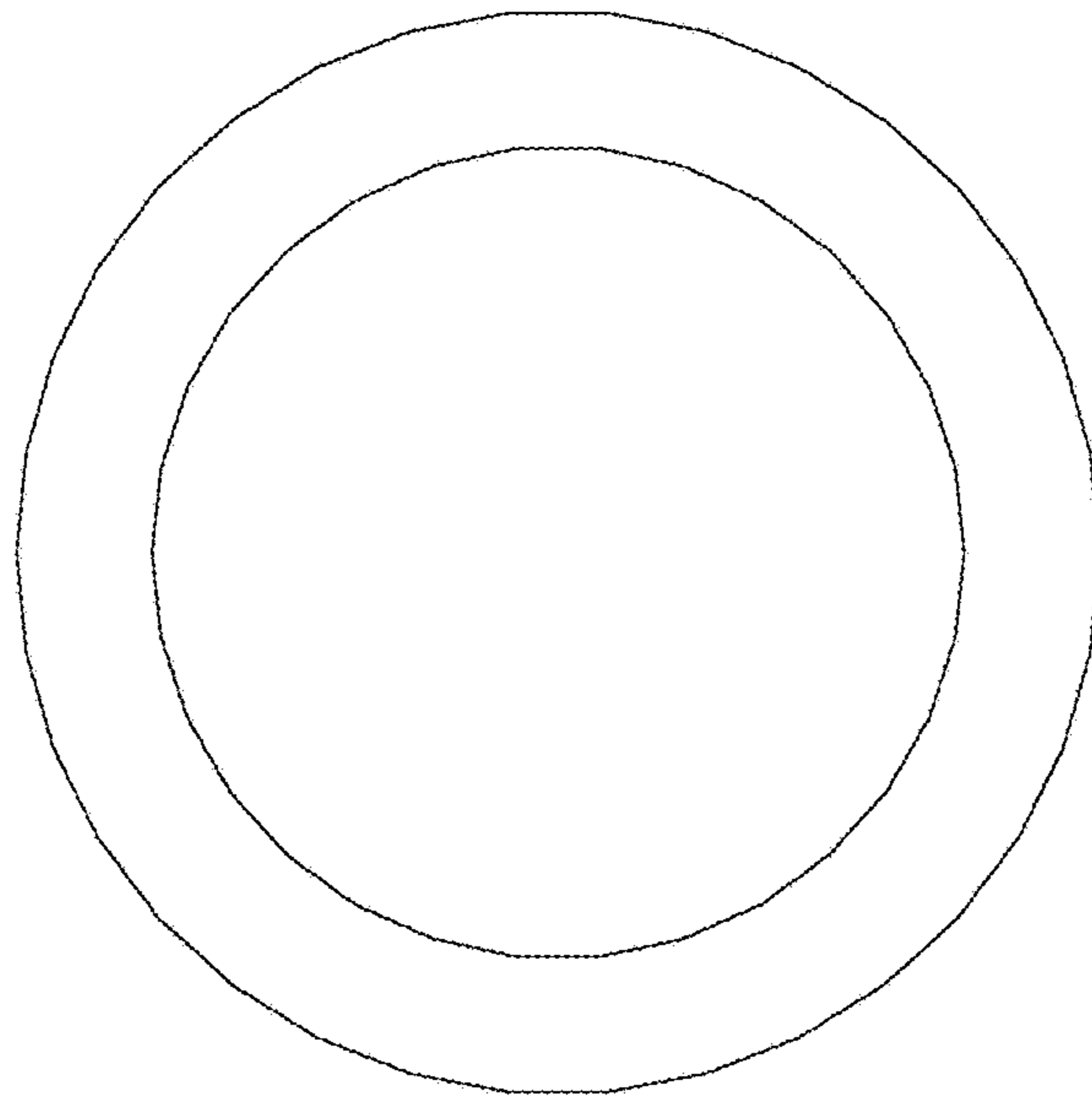


FIG. 9