



US00D789535S

(12) **United States Design Patent** (10) **Patent No.:** **US D789,535 S**
Wittner (45) **Date of Patent:** **** Jun. 13, 2017**

(54) **SHAFT INSTRUMENT FOR SHAVING TISSUE**

(71) Applicant: **Karl Storz GmbH & Co. KG,**
Tuttlingen (DE)

(72) Inventor: **Stefan Wittner,** Tuttlingen (DE)

(73) Assignee: **Karl Storz GmbH & Co. KG,**
Tuttlingen (DE)

(**) Term: **15 Years**

(21) Appl. No.: **29/548,248**

(22) Filed: **Dec. 11, 2015**

(30) **Foreign Application Priority Data**

Jun. 17, 2015 (EM) 002720714-0001

(51) **LOC (10) Cl.** **24-02**

(52) **U.S. Cl.**
USPC **D24/146**

(58) **Field of Classification Search**
USPC D24/133, 134, 135, 143, 146, 147;
606/1, 130, 170, 191, 205; 604/19, 334
See application file for complete search history.

(56) **References Cited**

U.S. PATENT DOCUMENTS

RE36,795 E	7/2000	Rydell	
6,228,083 B1	5/2001	Lands et al.	
6,325,811 B1	12/2001	Messerly	
6,976,992 B2	12/2005	Sachatello et al.	
7,204,835 B2	4/2007	Latterell et al.	
7,578,832 B2	8/2009	Johnson et al.	
D611,146 S *	3/2010	Way	D24/133
D625,806 S *	10/2010	Leroy	D24/133
D625,811 S *	10/2010	Cuschieri	D24/133
D625,813 S *	10/2010	Dapri	D24/133
D626,227 S *	10/2010	Leroy	D24/133

D634,427 S	3/2011	Nishimura	
D635,671 S *	4/2011	Way	D24/133
D639,944 S	6/2011	Schneider	
D642,262 S *	7/2011	Wagner	D24/133
D643,531 S *	8/2011	van der Weiden	D24/133
D648,434 S	11/2011	Uyama	
D650,076 S *	12/2011	Dapri	D24/133

(Continued)

OTHER PUBLICATIONS

Storz 33310MD Clickline maryland forceps insert 0/R Instruments.
1 page. [On line]. Retrieved on Jun. 13, 2011. <URL: <http://www.google.com>>.

(Continued)

Primary Examiner — Ian Simmons

Assistant Examiner — Samantha Q Lawrence

(74) *Attorney, Agent, or Firm* — Whitmyer IP Group LLC

(57) **CLAIM**

The ornamental design for a shaft instrument for shaving tissue, as shown and described.

DESCRIPTION

FIG. 1 is a front, left side isometric view of a shaft instrument for shaving tissue in accordance with the new design;

FIG. 2 is a right side elevational view thereof;

FIG. 3 is a left side elevational view thereof;

FIG. 4 is a top plan view thereof;

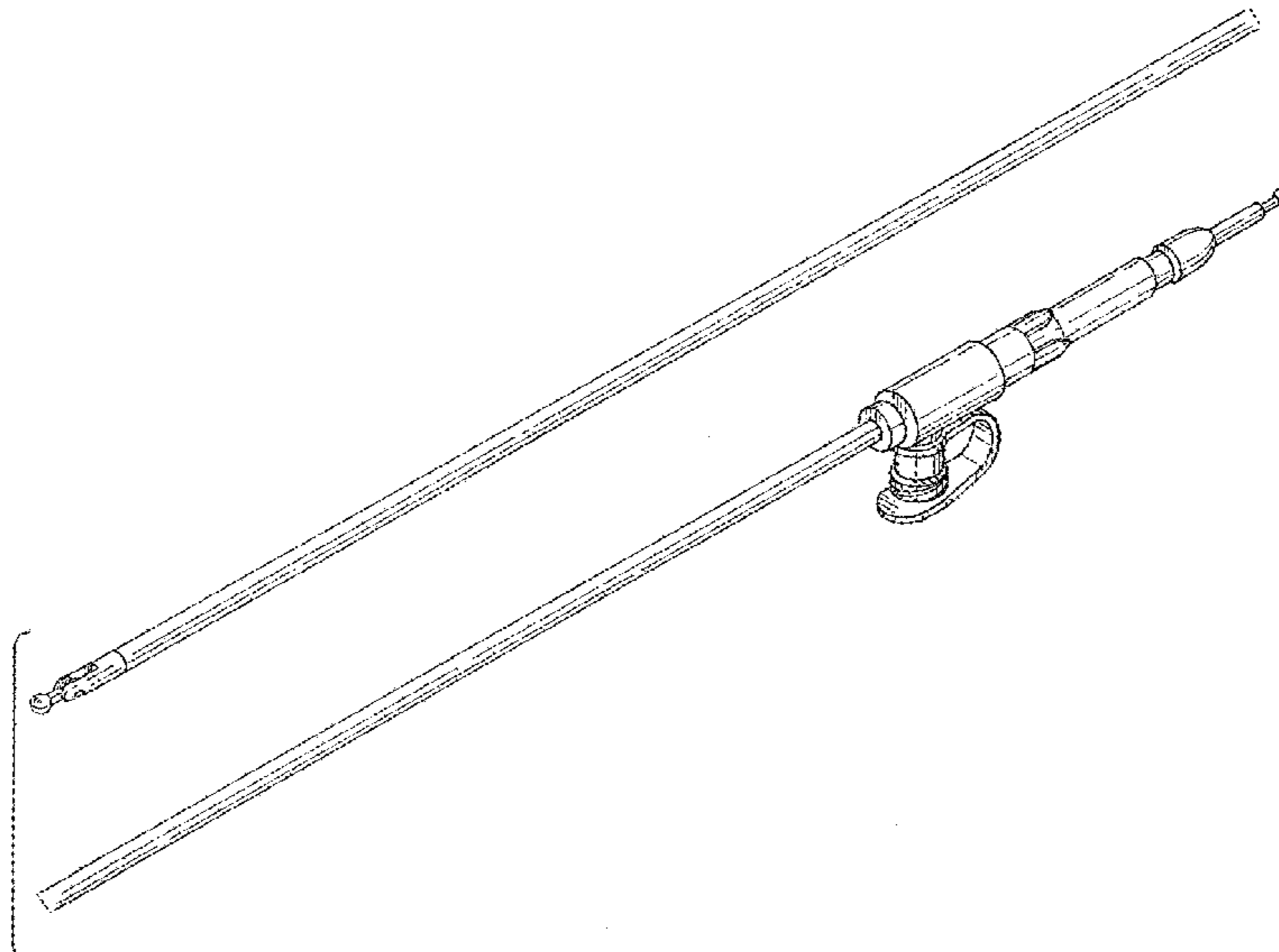
FIG. 5 is a bottom plan view thereof;

FIG. 6 is a front side elevational view thereof; and,

FIG. 7 is a rear side elevational view thereof.

FIGS. 1-5 show a break indicating two parts of the shaft instrument for shaving tissue for ease of illustration. The additional broken lines shown in FIGS. 1 and 6 illustrate portions of the shaft instrument of shaving tissue that form no part of the claimed design.

1 Claim, 6 Drawing Sheets



(56)

References Cited

U.S. PATENT DOCUMENTS

D652,140 S * 1/2012 Wagner D24/133
D652,141 S * 1/2012 Wagner D24/133
D655,414 S * 3/2012 Cuschieri D24/133
D669,983 S * 10/2012 Dapri D24/133
D670,381 S * 11/2012 Dapri D24/133
D755,375 S * 5/2016 Stammberger D24/135
D755,963 S * 5/2016 Stammberger D24/135
D761,961 S * 7/2016 Tan D24/143
D777,914 S * 1/2017 Wapler D24/133
2007/0244515 A1 10/2007 Fanous
2009/0209991 A1 8/2009 Hinchliffe et al.
2010/0076433 A1 3/2010 Taylor et al.
2010/0087818 A1 4/2010 Cunningham
2011/0029010 A1 2/2011 Castro et al.

OTHER PUBLICATIONS

Karl Storz 22310AG Forceps Insert Mangeshikar 5MMX30CM. 2 pages. [On line]. Retrieved on Jun. 13, 2011. <URL: <http://www.google.com>>.

Karl Storz GmbH & Co. KG, Tuttlingen; "Karl Storz RoBi Rotating Bipolar Forceps and Scissors Named Innovation of the Year by Laparoendoscopy Society"; <http://www.karlstorz.de>; Oct. 14, 2005; 6 pages.

* cited by examiner

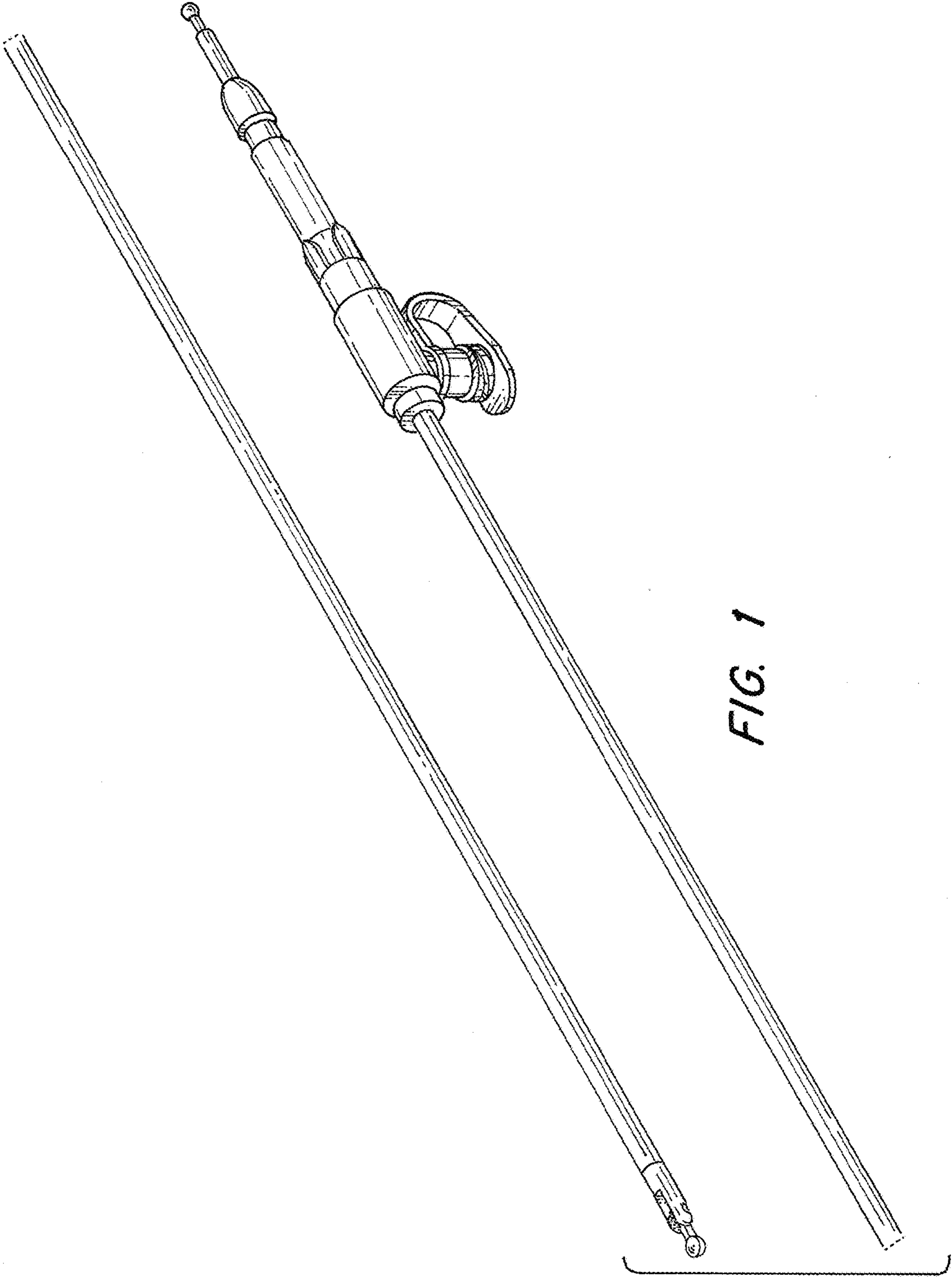


FIG. 1

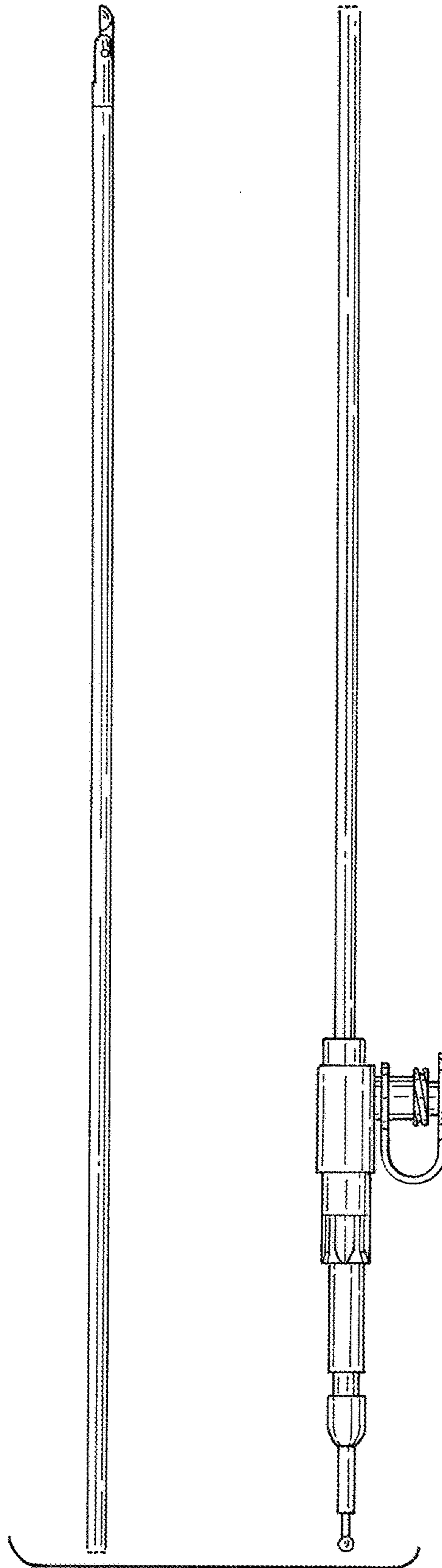


FIG. 2

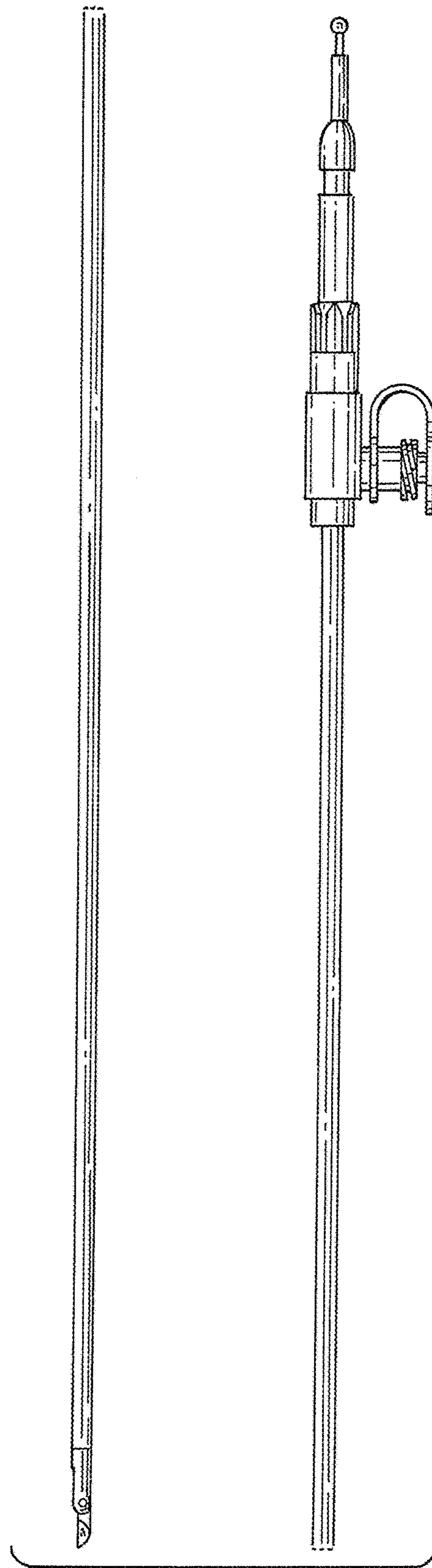


FIG. 3

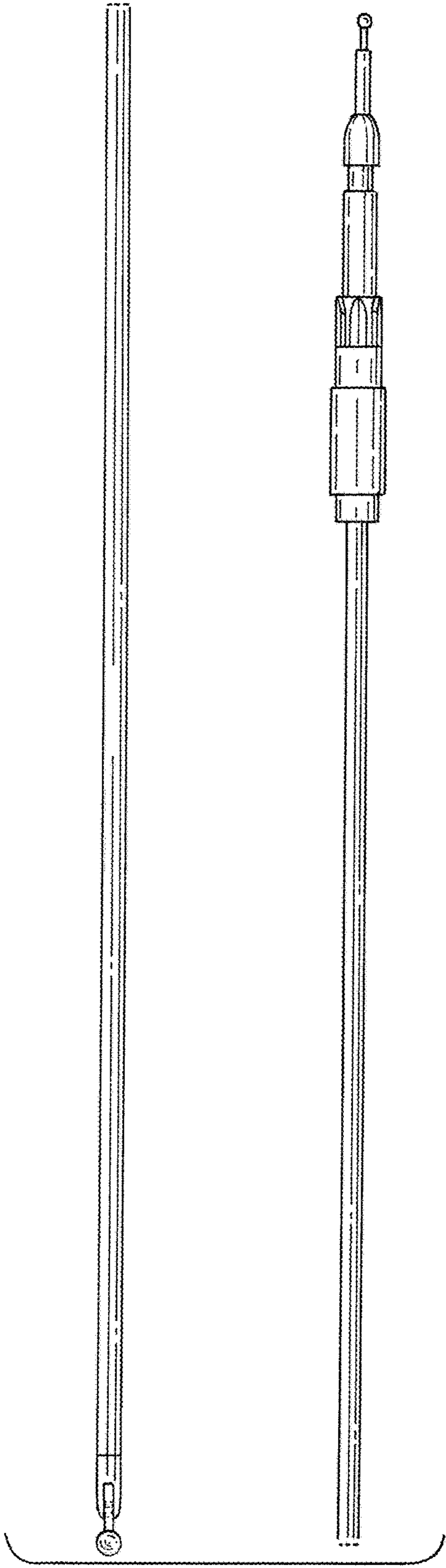


FIG. 4

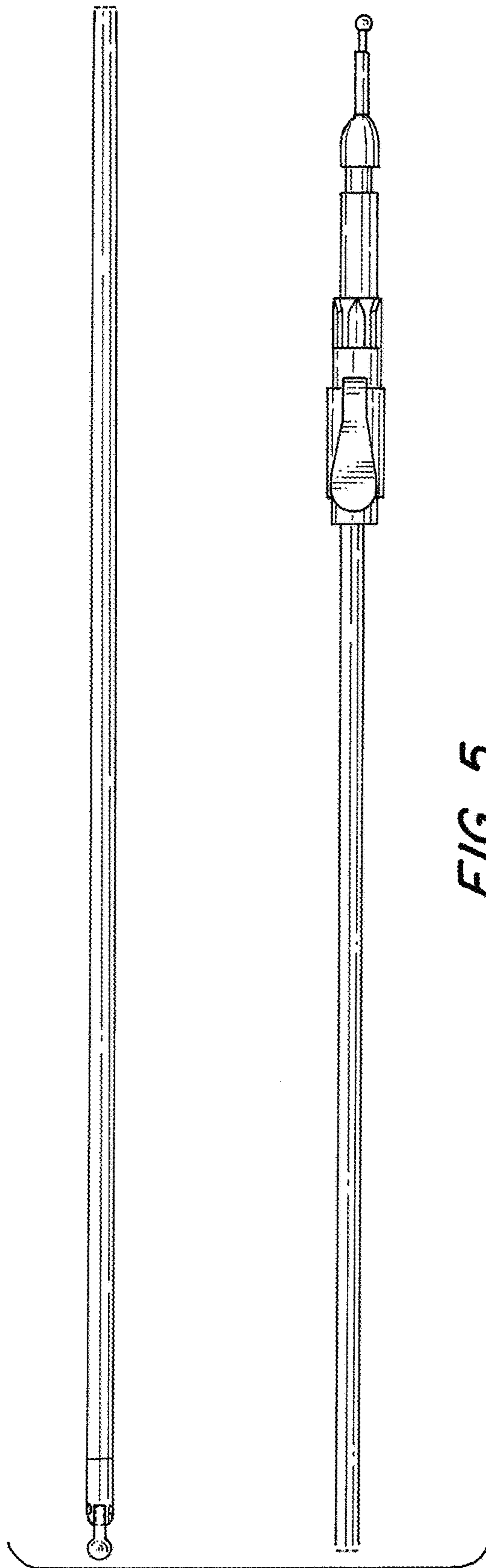


FIG. 5

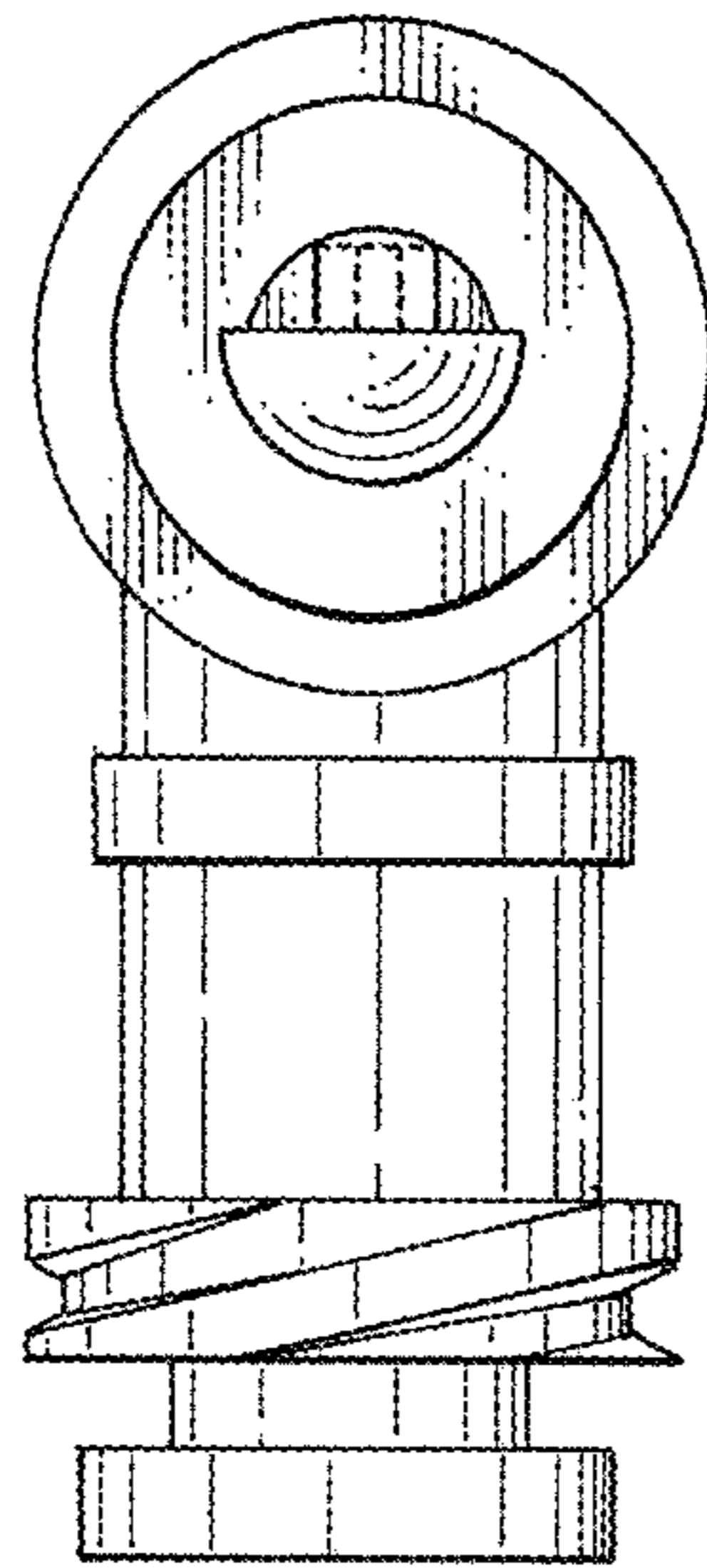


FIG. 6

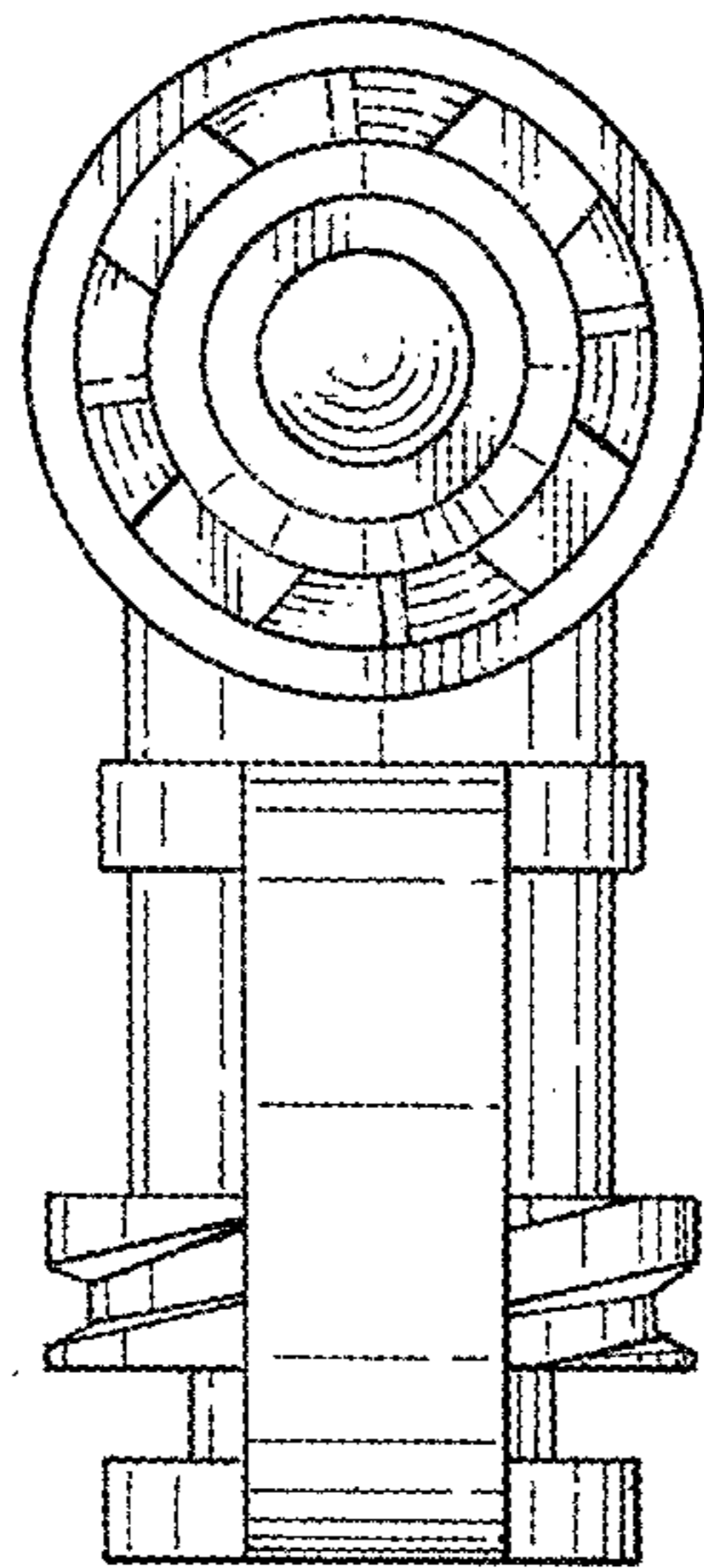


FIG. 7