



US00D789534S

(12) **United States Design Patent**
Bastia

(10) **Patent No.:** **US D789,534 S**
(45) **Date of Patent:** **** Jun. 13, 2017**

(54) **PRESSURE MEASURING APPARATUS**

(71) Applicant: **THD S.P.A.**, Correggio (Reggio Emilia)
(IT)

(72) Inventor: **Filippo Bastia**, Soliera (IT)

(73) Assignee: **THD S.P.A.**, Correggio (IT)

(**) Term: **15 Years**

(21) Appl. No.: **29/545,940**

(22) Filed: **Nov. 17, 2015**

(30) **Foreign Application Priority Data**

May 20, 2015 (EM) 002704072-0002

(51) **LOC (10) Cl.** **24-02**

(52) **U.S. Cl.**

USPC **D24/138**; D10/98; D24/216; D24/232

(58) **Field of Classification Search**

USPC D10/78, 97, 98; D24/133, 137, 138, 216,
D24/232, 233, 234

CPC A61B 5/00; A61B 5/0002; A61B 5/0004;
A61B 5/0048; A61B 5/0051; A61B
5/0053; A61B 5/0055; A61B 5/0057;
A61B 5/20; A61B 5/227; A61B 5/224

See application file for complete search history.

(56) **References Cited**

U.S. PATENT DOCUMENTS

D602,796 S * 10/2009 Lhuillery D10/97
7,890,295 B2 * 2/2011 Shin A61B 5/14532
702/182

8,827,920 B2 * 9/2014 Lee A61B 7/026
600/523
D717,680 S * 11/2014 Park D10/70
9,103,766 B2 * 8/2015 Schentag G01N 21/17
9,186,073 B2 * 11/2015 Petrucelli A61B 5/022
9,241,631 B2 * 1/2016 Valdes A61B 5/0022
9,554,750 B2 * 1/2017 Quackenbush A61B 5/6847

* cited by examiner

Primary Examiner — Antoine D Davis

(74) *Attorney, Agent, or Firm* — Pearne & Gordon LLP

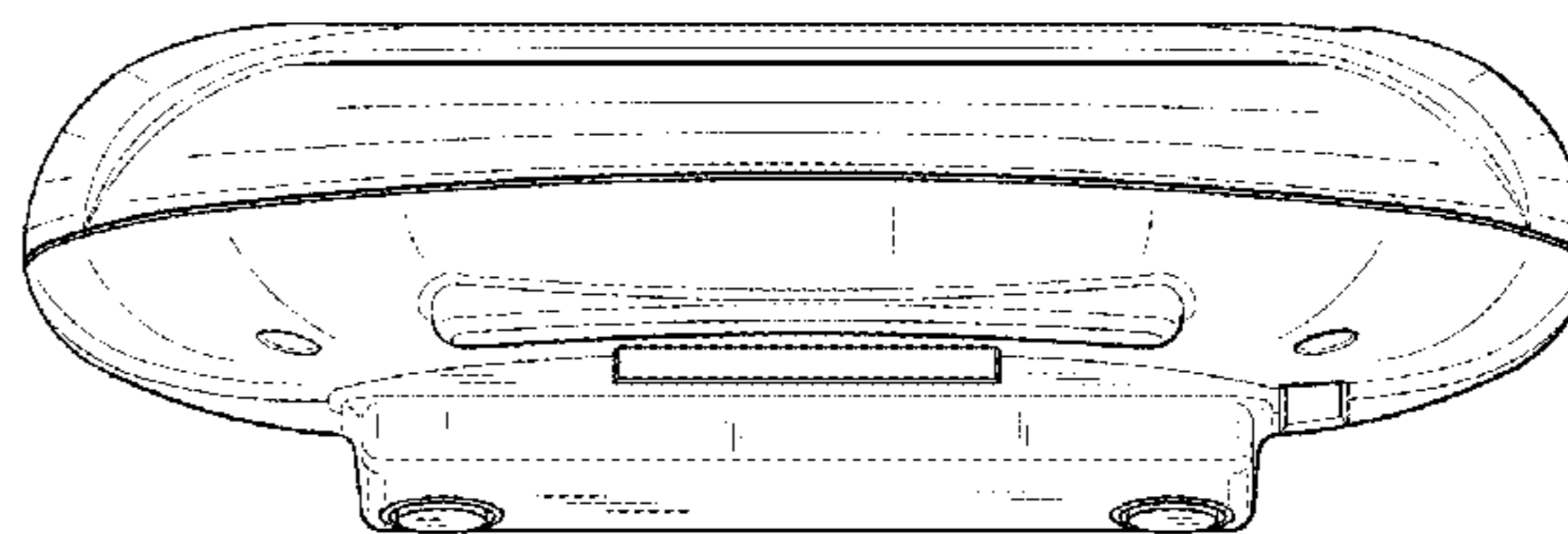
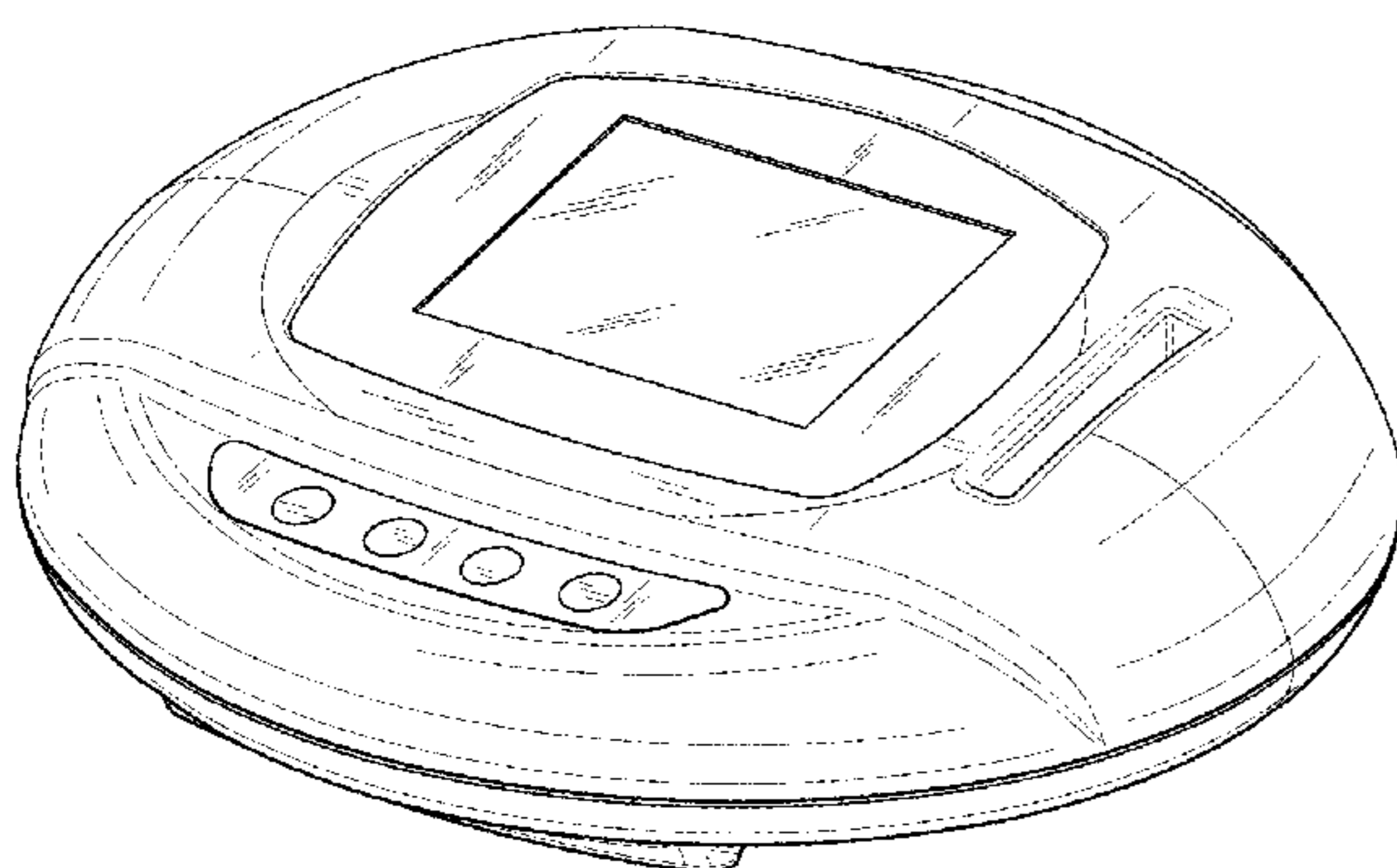
(57) **CLAIM**

The ornamental design for a pressure measuring apparatus,
as shown and described.

DESCRIPTION

FIG. 1 is a top-front-left perspective view of a pressure
measuring apparatus, showing my new design;
FIG. 2 is a top plan view thereof;
FIG. 3 is a front elevational view thereof;
FIG. 4 is a left side elevational view thereof;
FIG. 5 is a right side elevational view thereof;
FIG. 6 is a bottom plan view thereof; and,
FIG. 7 is a rear elevational view thereof.

1 Claim, 4 Drawing Sheets



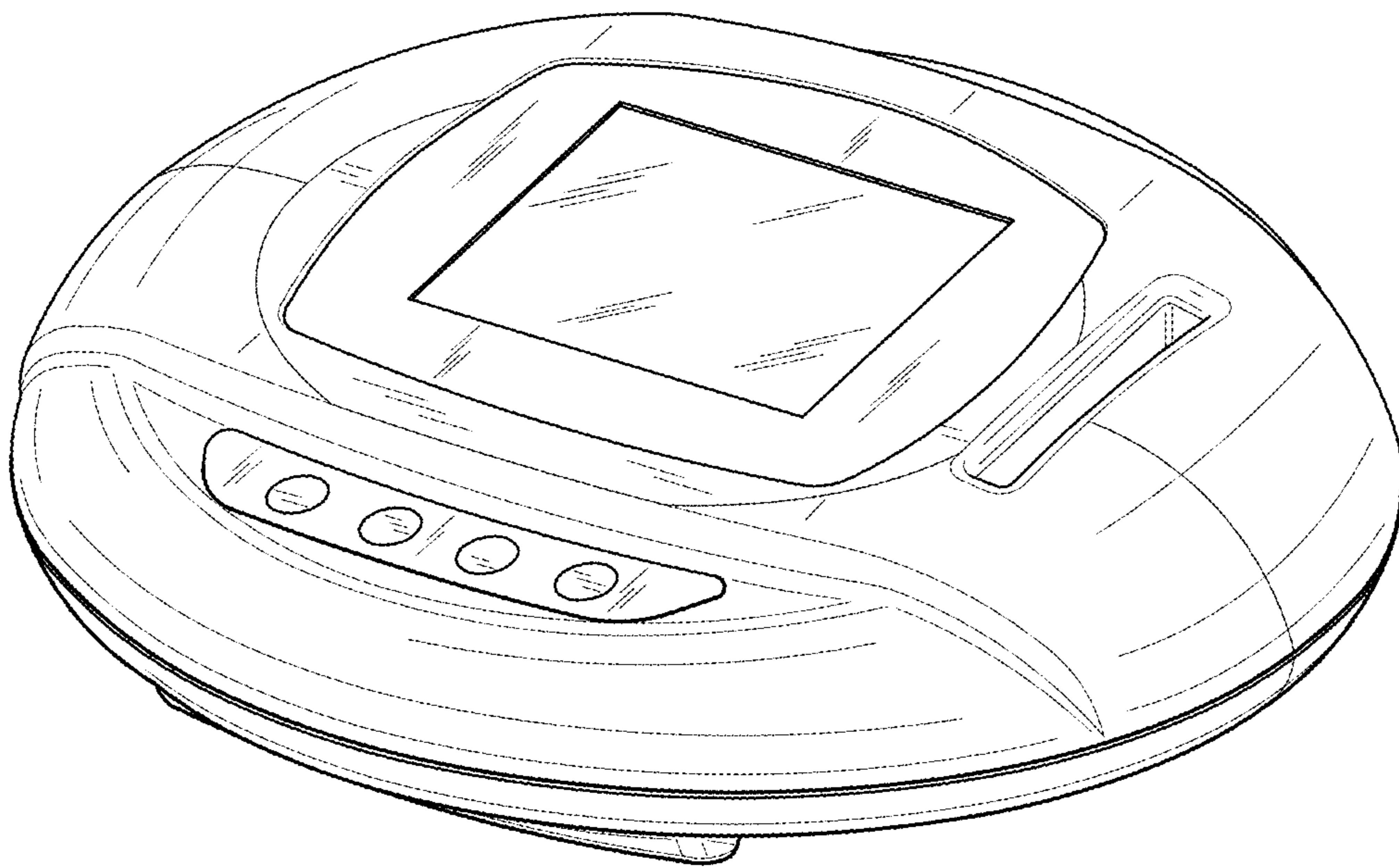


FIG. 1

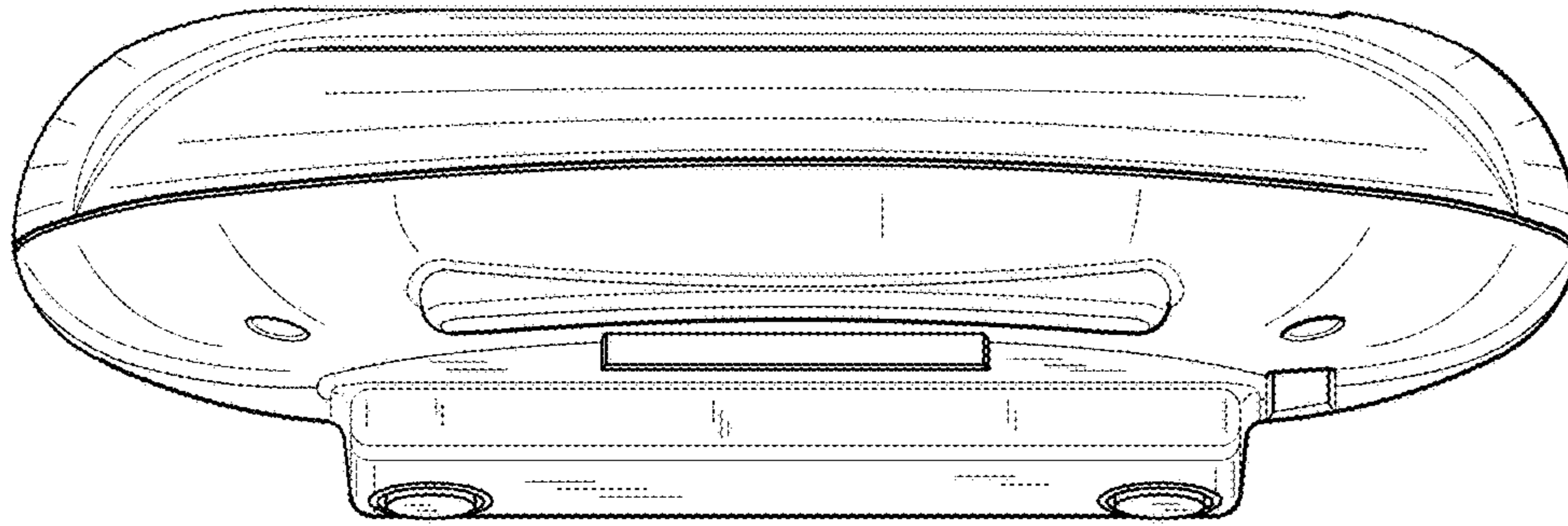


FIG. 3

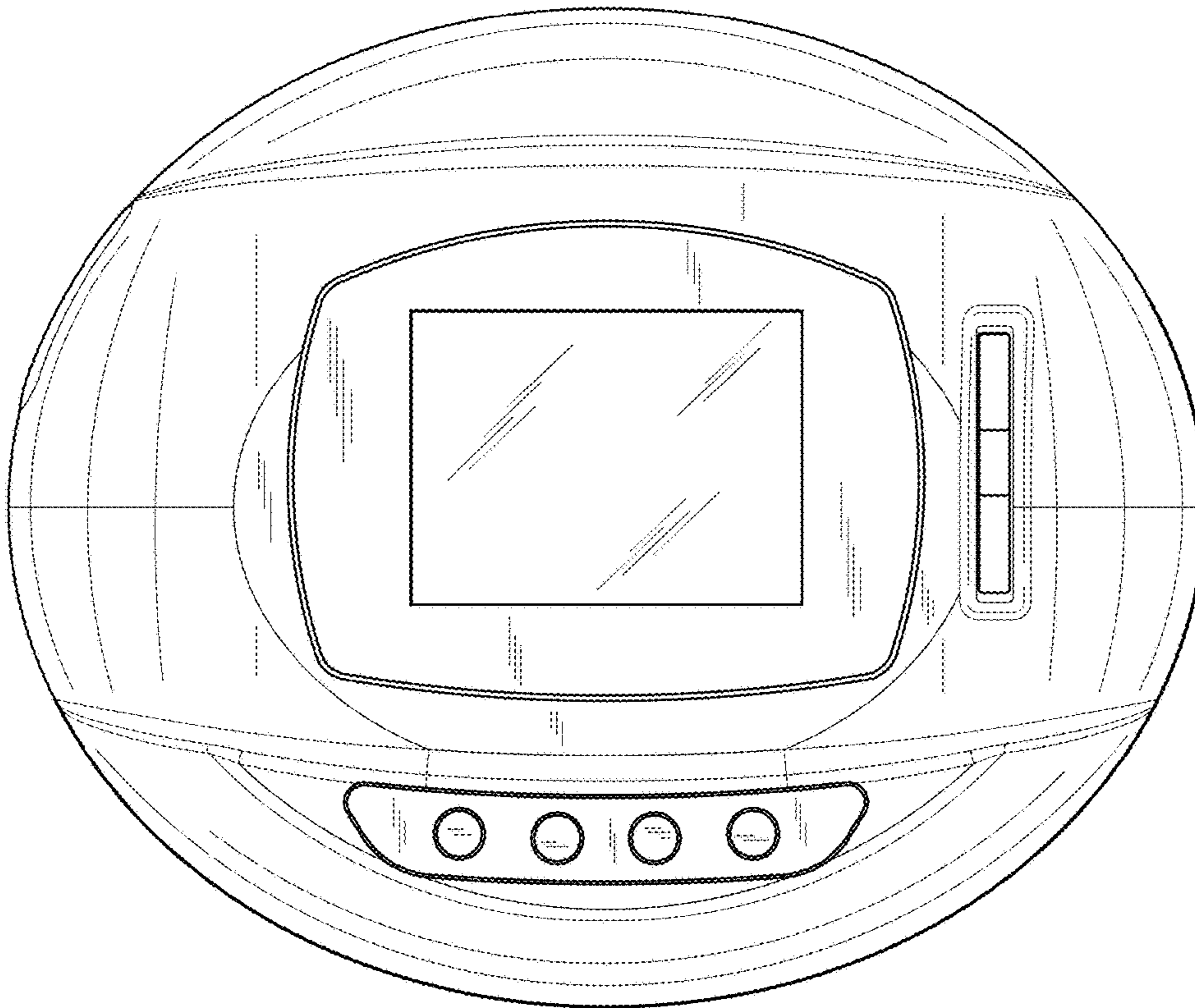


FIG. 2

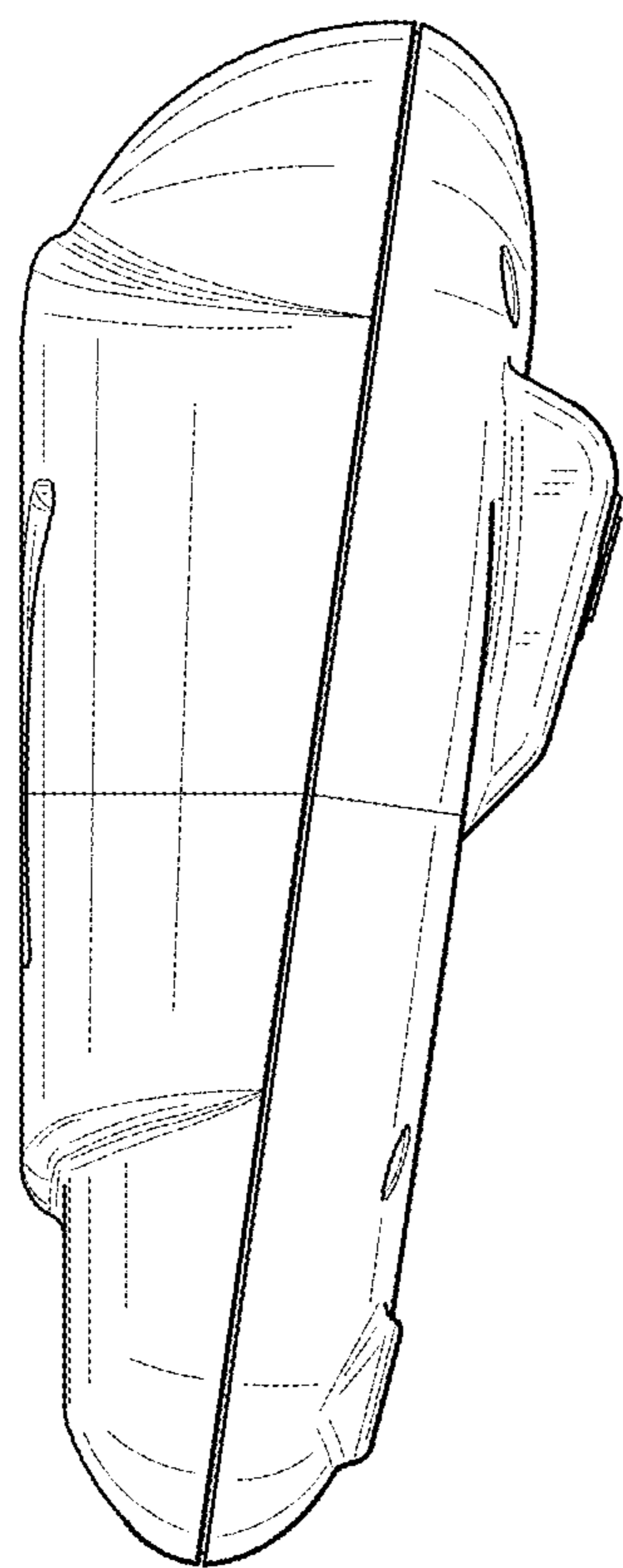


FIG. 4

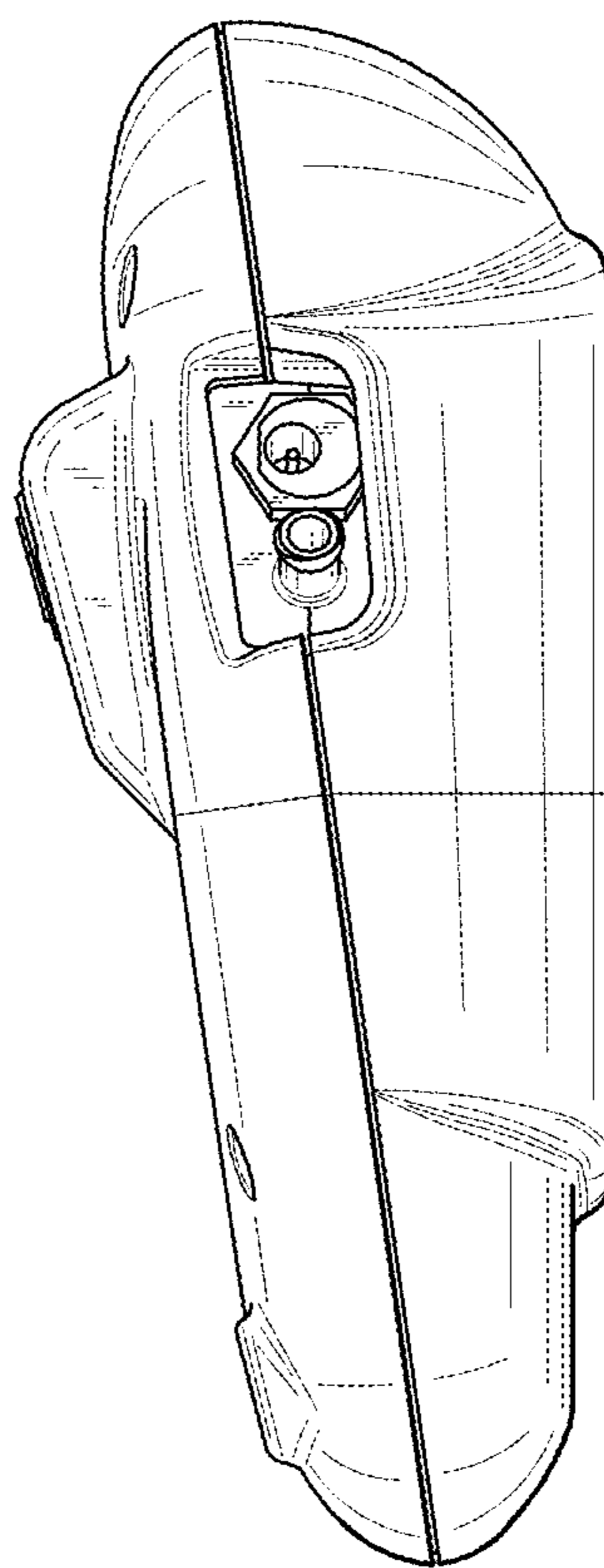


FIG. 5

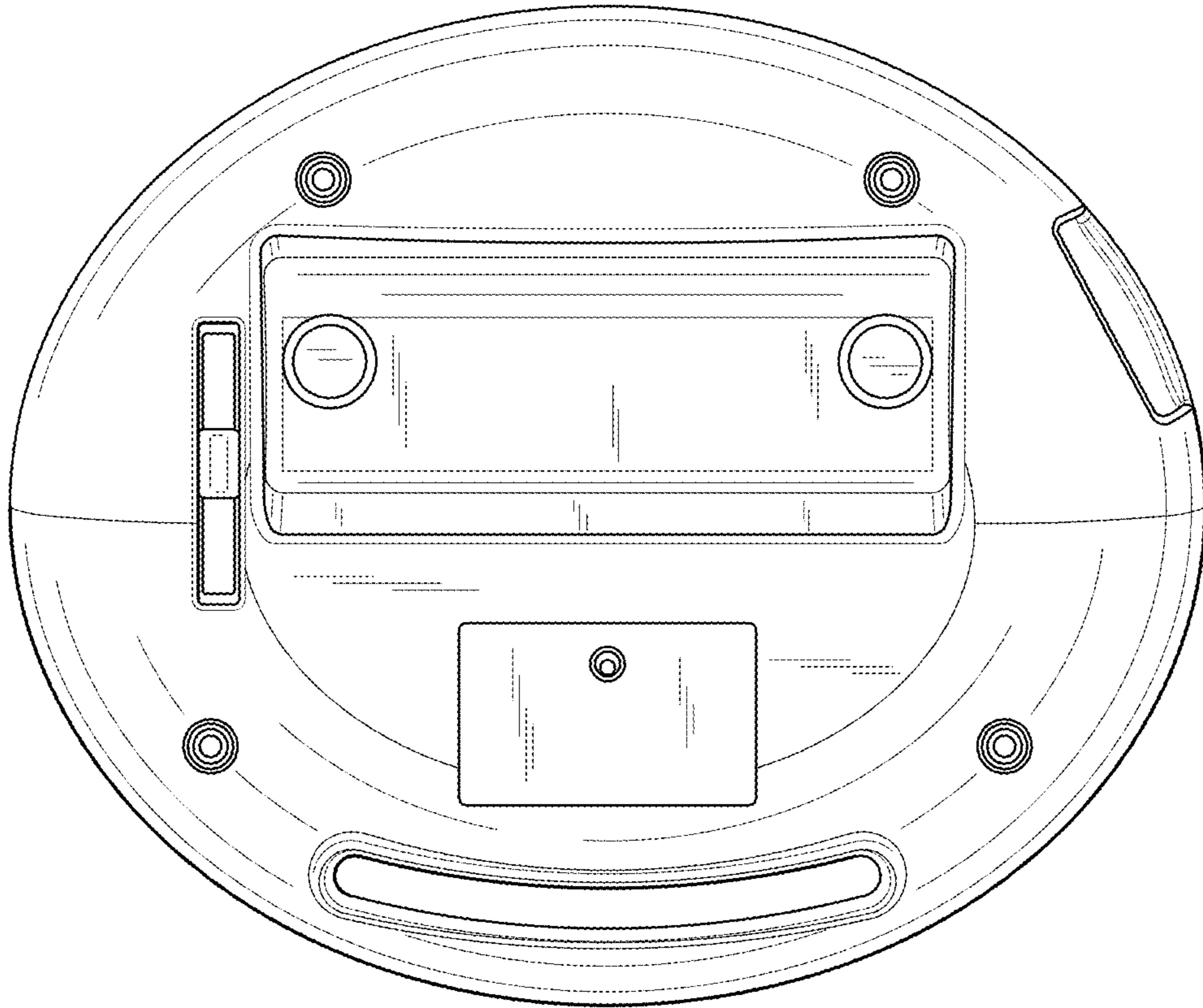


FIG. 6

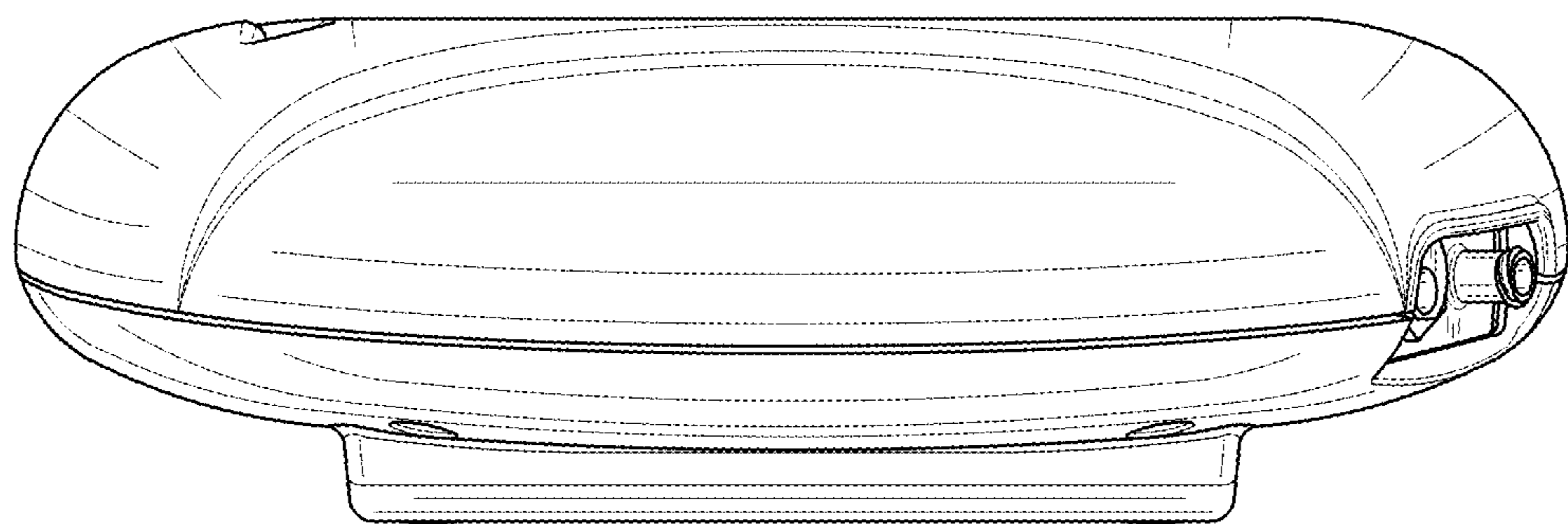


FIG. 7