



US00D789529S

(12) **United States Design Patent**  
**Davis et al.**

(10) **Patent No.:** **US D789,529 S**  
(45) **Date of Patent:** **\*\* Jun. 13, 2017**

(54) **TIP CAP FOR FLUID DELIVERY DEVICE**

(71) Applicant: **NEOMED, INC.**, Woodstock, GA (US)

(72) Inventors: **Benjamin Martin Davis**, Woodstock, GA (US); **Aaron N. Ingram**, Canton, GA (US); **Mark M. Costello**, Co. Mayo (IE)

(73) Assignee: **NEOMED, INC.**, Woodstock, GA (US)

(\*\*) Term: **15 Years**

(21) Appl. No.: **29/569,925**

(22) Filed: **Jul. 1, 2016**

**Related U.S. Application Data**

(63) Continuation-in-part of application No. 14/844,922, filed on Sep. 3, 2015, which is a continuation-in-part of application No. 29/533,173, filed on Jul. 15, 2015, which is a continuation-in-part of application No. 29/521,665, filed on Mar. 25, 2015.

(51) **LOC (10) Cl.** ..... **24-02**

(52) **U.S. Cl.**  
USPC ..... **D24/130**

(58) **Field of Classification Search**  
USPC ..... D24/129, 130; D9/453  
CPC ..... A61J 1/1412; A61J 1/1418; A61J 1/1425;  
A61J 1/1431  
See application file for complete search history.

(56) **References Cited**

**U.S. PATENT DOCUMENTS**

3,344,786 A 10/1967 Berg et al.  
3,712,749 A 1/1973 Roberts  
3,937,211 A 2/1976 Merten  
(Continued)

**FOREIGN PATENT DOCUMENTS**

JP H10297655 A 11/1998  
WO 2008128074 A2 10/2008  
WO 2014049097 A1 4/2014

**OTHER PUBLICATIONS**

Baxa Self-Righting Luer Tip Caps; www.iso-med.com; 1 pg; date unknown.

(Continued)

*Primary Examiner* — Richelle G Shelton

(74) *Attorney, Agent, or Firm* — Gardner Groff Greenwald & Villanueva, PC

(57) **CLAIM**

The ornamental design for a tip cap for fluid delivery device, as shown and described.

**DESCRIPTION**

FIG. 1 is a top perspective view of a tip cap for fluid delivery device according to an embodiment of the design;

FIG. 2 is a bottom perspective view thereof.

FIG. 3 is a front elevation view thereof, the rear, and right elevation views being identical;

FIG. 4 is a top plan view thereof;

FIG. 5 is a bottom plan view thereof; and

FIG. 6 is a cross-sectional view thereof, taken along line 6-6 of FIG. 5.

FIG. 7 is a top perspective view of a tip cap for fluid delivery device according to another embodiment of the design;

FIG. 8 is a bottom perspective view thereof;

FIG. 9 is a front elevation view thereof, the rear, left and right elevation views being identical;

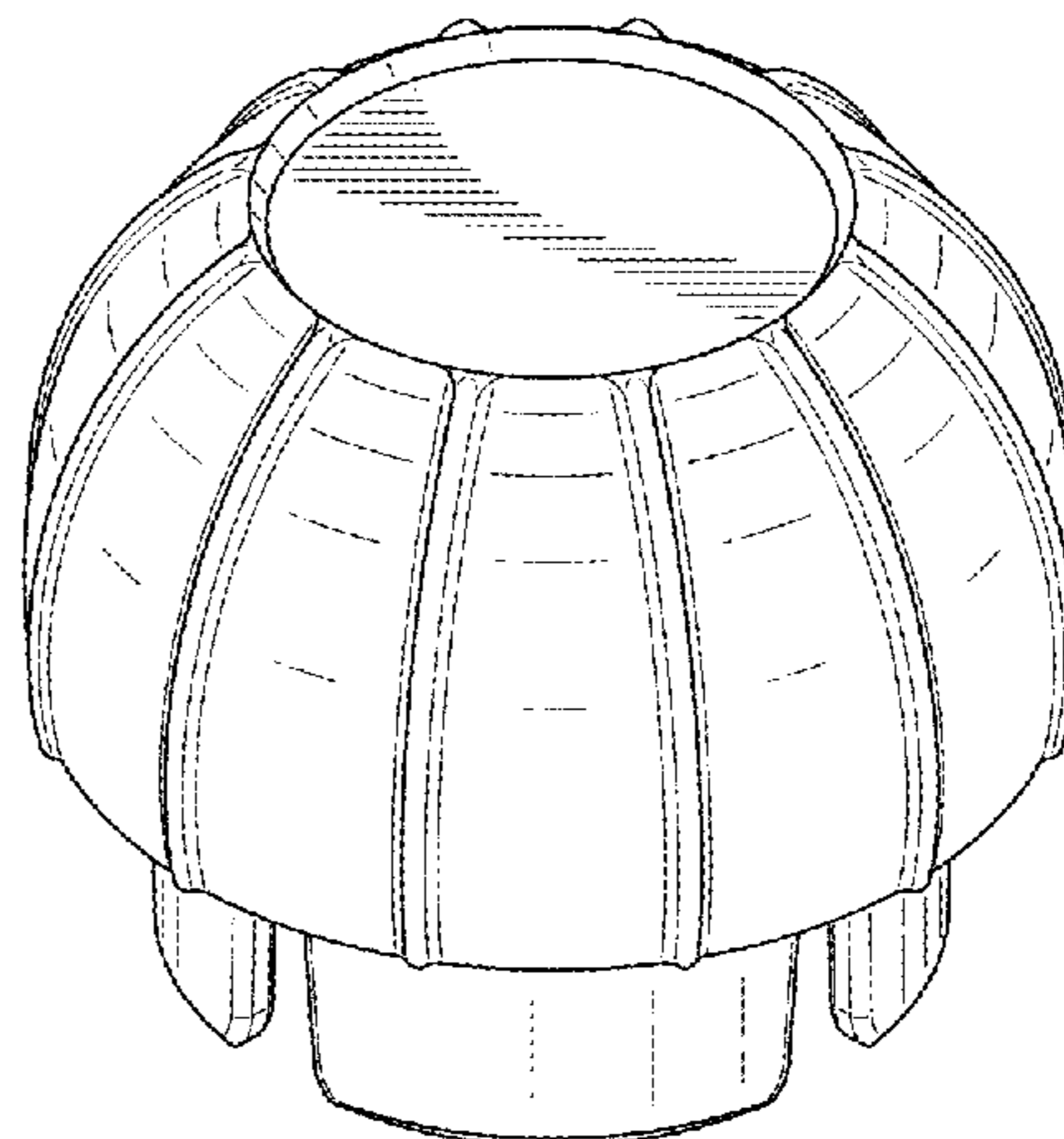
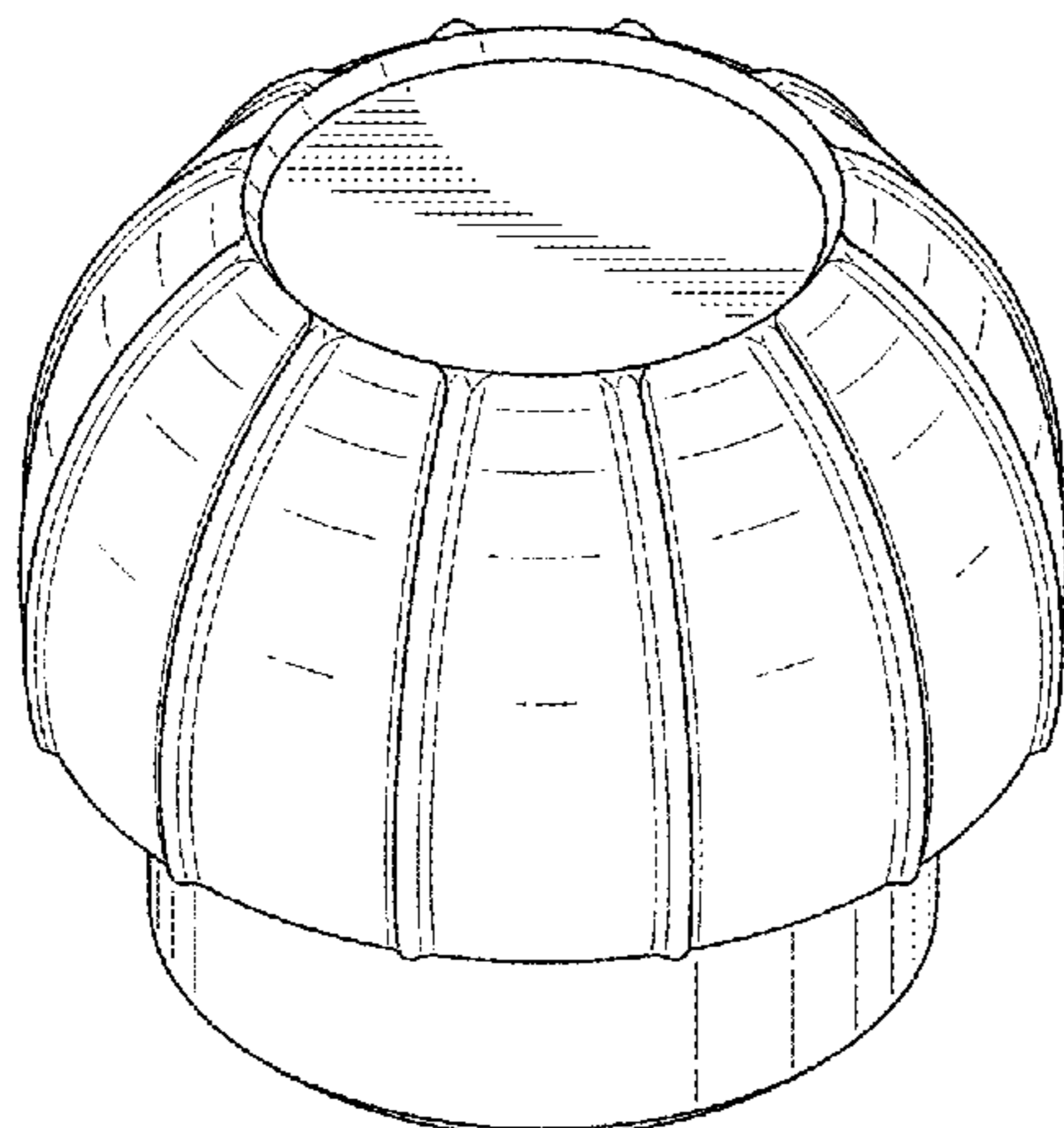
FIG. 10 is a top plan view thereof;

FIG. 11 is a bottom plan view thereof; and,

FIG. 12 is a cross-sectional view taken along line 12-12 of FIG. 11.

The broken lines shown in FIGS. 6 and 12 illustrate the planes upon which the cross sections are taken and form no part of the claimed design.

**1 Claim, 4 Drawing Sheets**



(56)

References Cited

U.S. PATENT DOCUMENTS

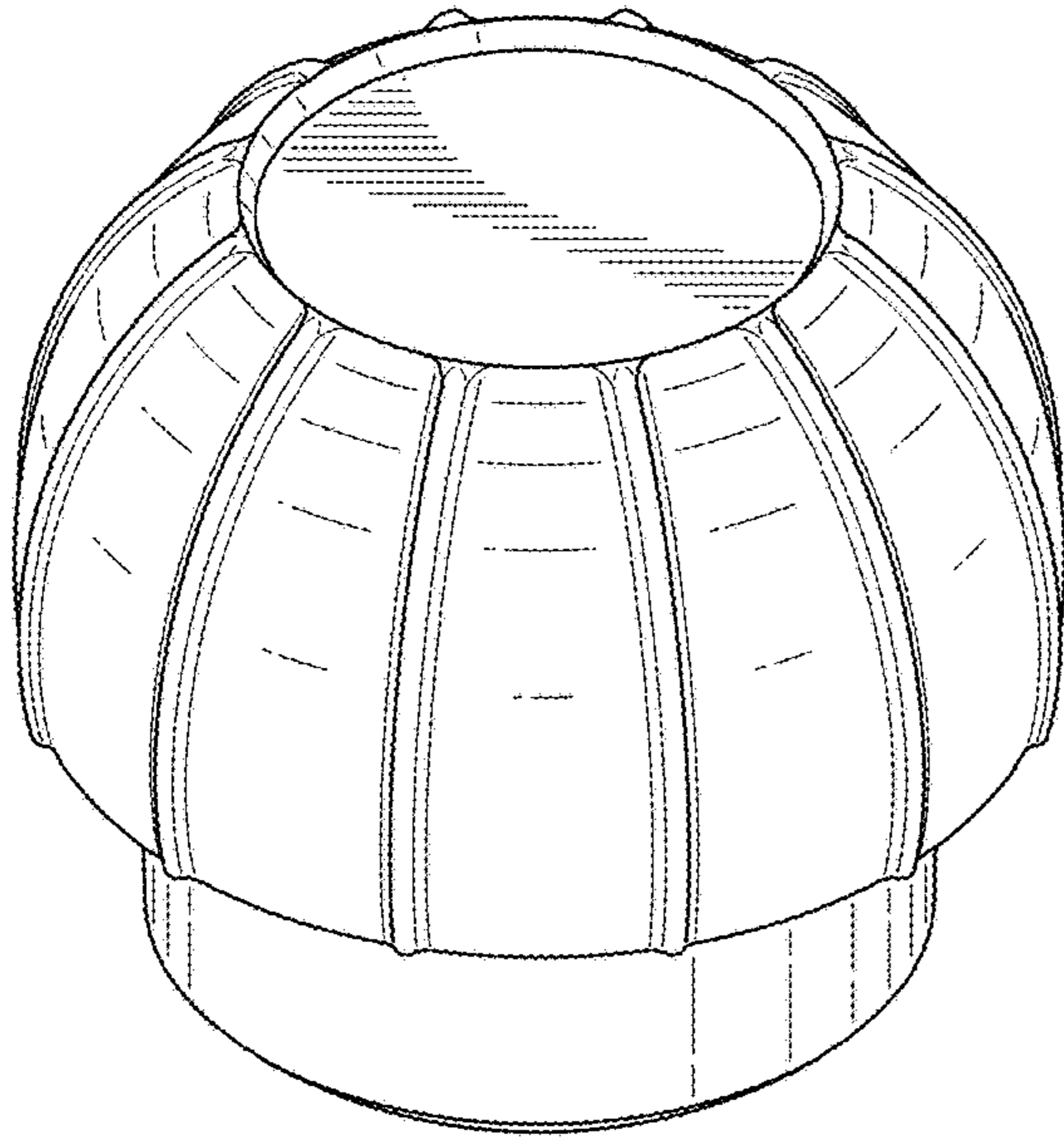
4,043,334 A 8/1977 Brown et al.  
 4,286,591 A 9/1981 Raines  
 D309,710 S 8/1990 Groves  
 D310,028 S 8/1990 Brandt et al.  
 D378,233 S 2/1997 Warner  
 5,797,885 A 8/1998 Rubin  
 D432,916 S 10/2000 Drinkwater et al.  
 6,749,092 B2 6/2004 Olechowski et al.  
 D547,657 S \* 7/2007 Tacchella ..... D9/454  
 D596,487 S 7/2009 Batton et al.  
 D602,355 S 10/2009 Waaland  
 D617,187 S 6/2010 Murray  
 8,099,932 B2 1/2012 Peacop et al.  
 8,343,041 B2 1/2013 Byers et al.  
 D682,688 S 5/2013 Murray  
 D684,055 S 6/2013 Kwon  
 D684,057 S 6/2013 Kwon  
 D686,495 S 7/2013 Murray  
 8,528,757 B2 9/2013 Bisio  
 D692,143 S \* 10/2013 shahidi bonjar ..... D24/112  
 D705,061 S 5/2014 Jo et al.  
 D710,695 S 8/2014 Pritikin  
 D712,744 S 9/2014 Neputy et al.  
 D713,247 S 9/2014 Webster et al.

D715,143 S 10/2014 Hewitt et al.  
 D715,146 S 10/2014 Holmes  
 D726,308 S 4/2015 Shubin, Sr. et al.  
 9,016,473 B2 4/2015 Tamarindo  
 D731,647 S 6/2015 Nishioka et al.  
 D735,038 S 7/2015 Tamarindo  
 D741,996 S 10/2015 Strong et al.  
 D759,486 S \* 6/2016 Ingram ..... D9/453  
 2010/0252564 A1 \* 10/2010 Martinez ..... A21C 15/005  
 220/796  
 2016/0067422 A1 \* 3/2016 Davis ..... A61M 5/3202  
 604/192

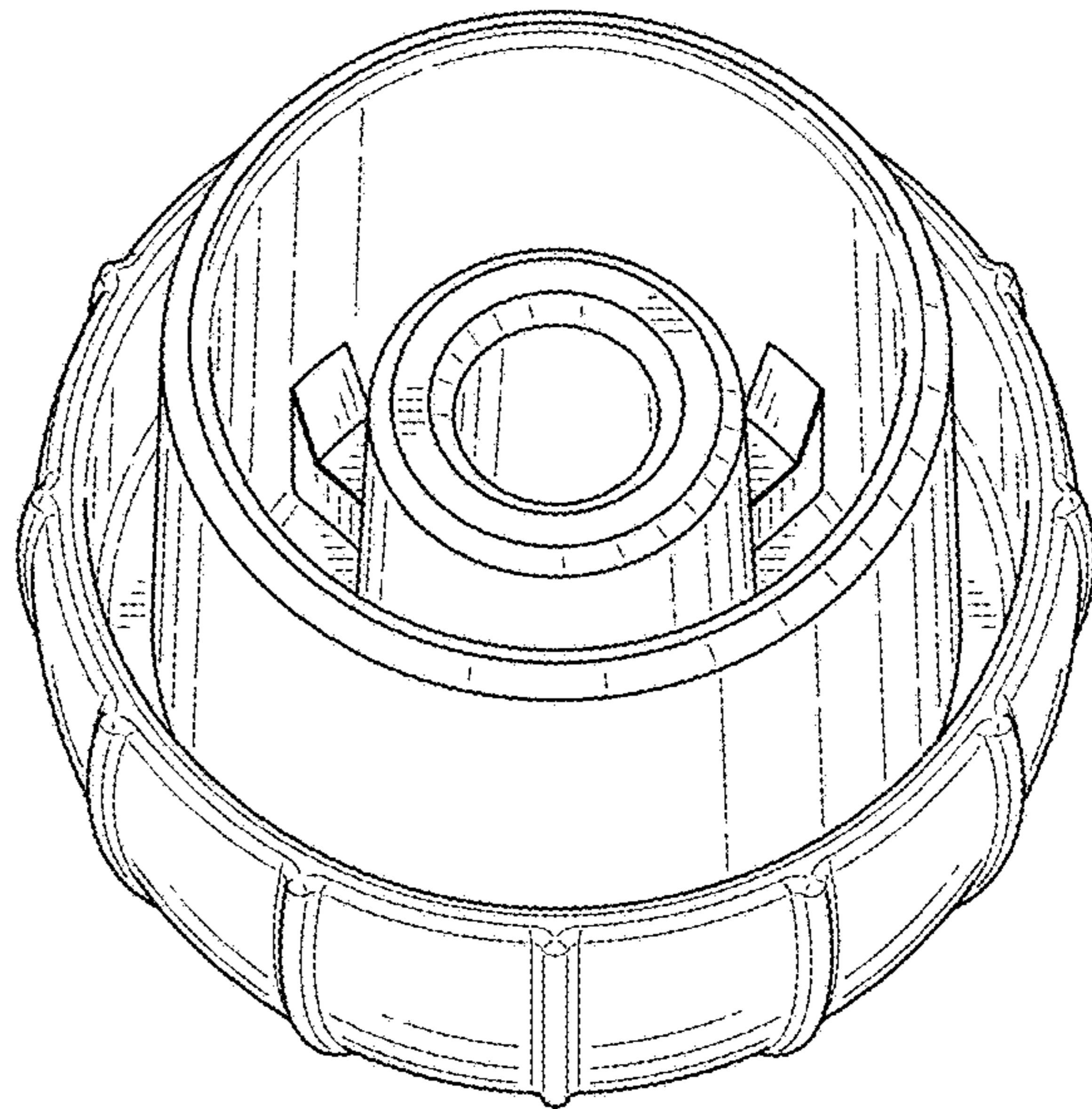
OTHER PUBLICATIONS

NeoMed Self-Righting Tip Cap; 1 pg; 2008.  
 Comar Tip Caps; 1 pg; date unknown.  
 International Search Report & Written Opinion for PCT/US2015/048380; 10 pgs; Oct. 29, 2015.  
 New ISO Tubing Connector Standards: A Follow-Up to the Sentinel Event Alert Webinar PowerPoint Presentation; www.jointcommission.org; 50 pgs; Dec. 3, 2014.  
 New Tube Feeding Connectors Webinar PowerPoint Presentation; www.oley.org; 24 pgs; Jun. 24, 2014.

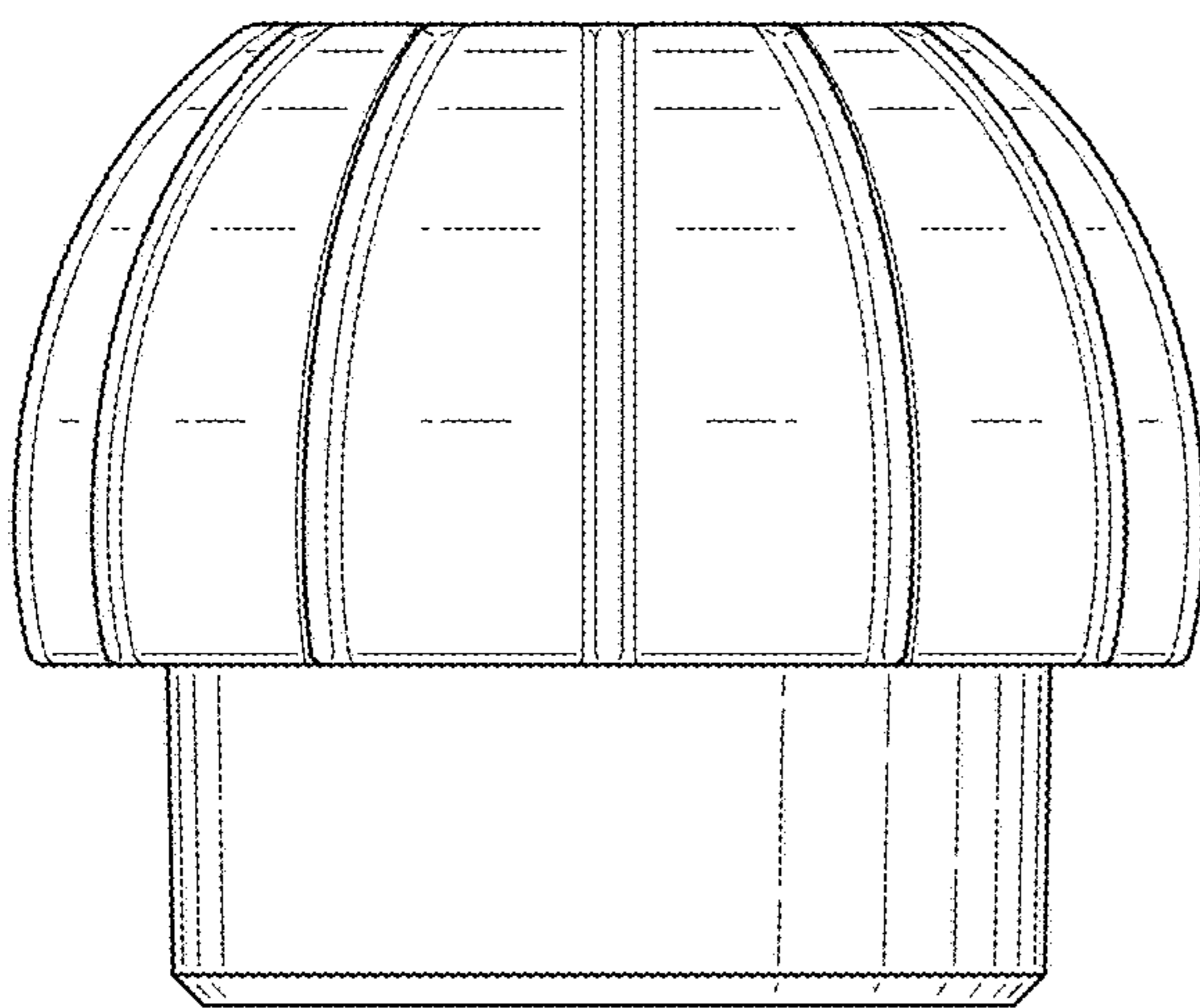
\* cited by examiner



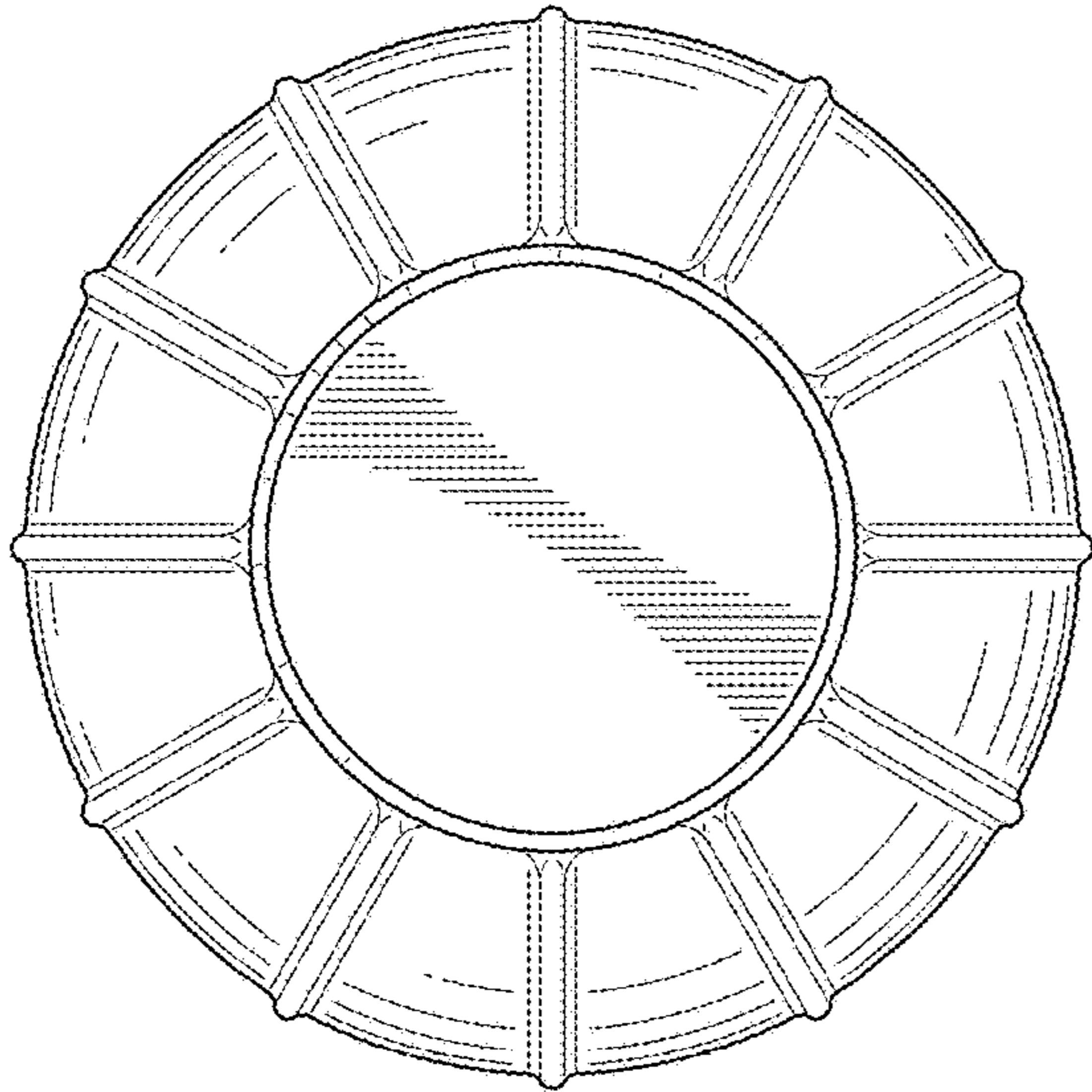
*FIG. 1*



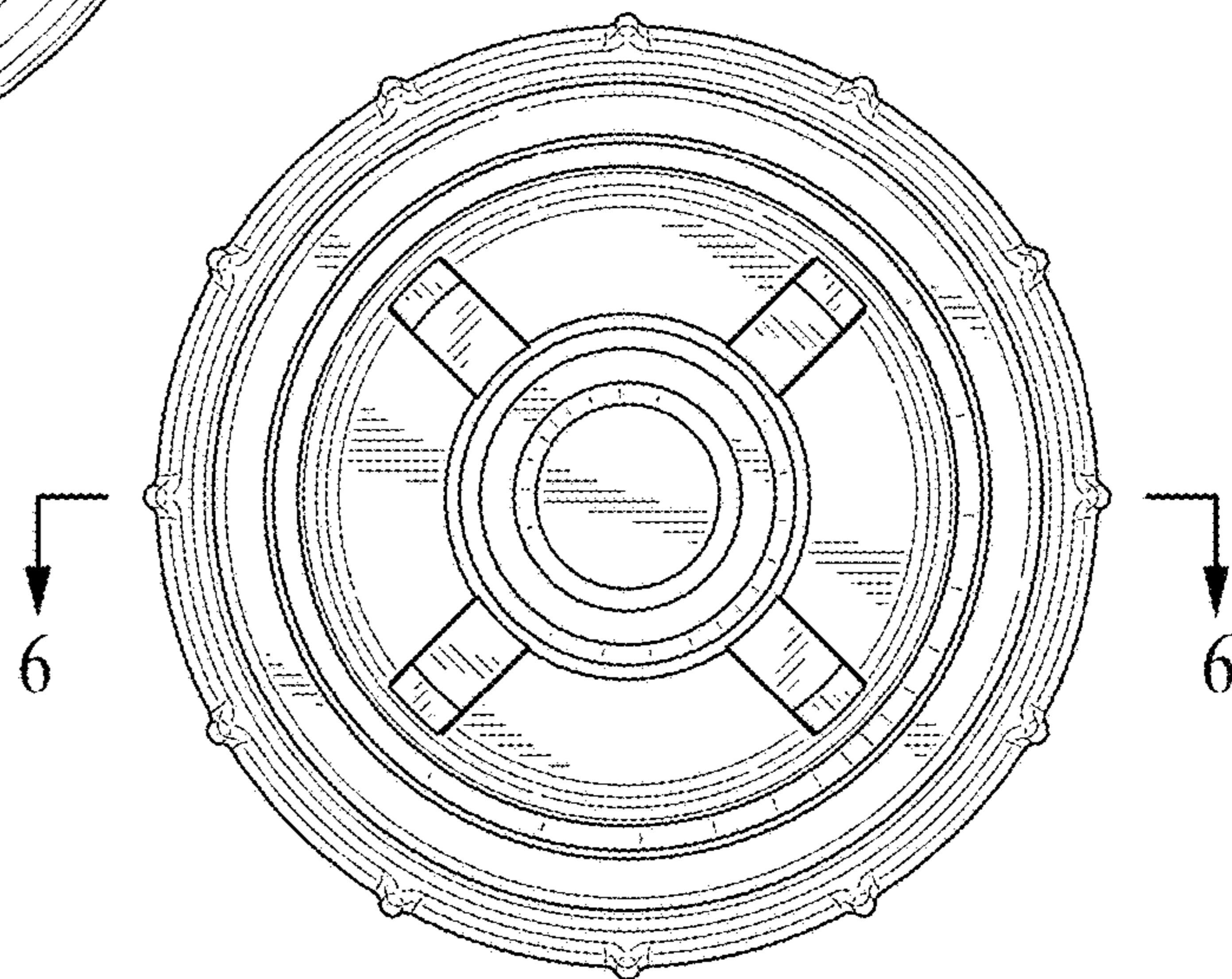
*FIG. 2*



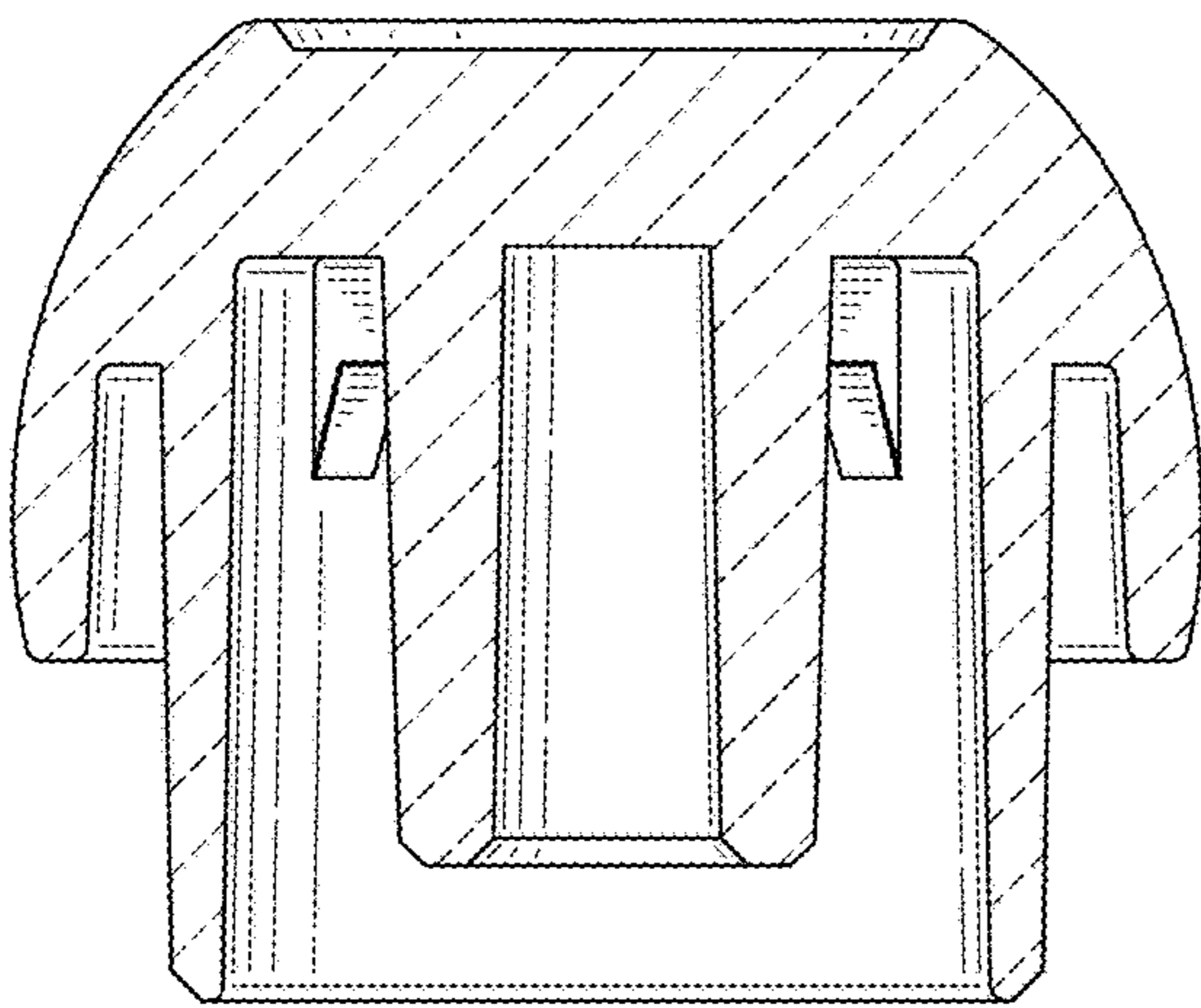
*FIG. 3*



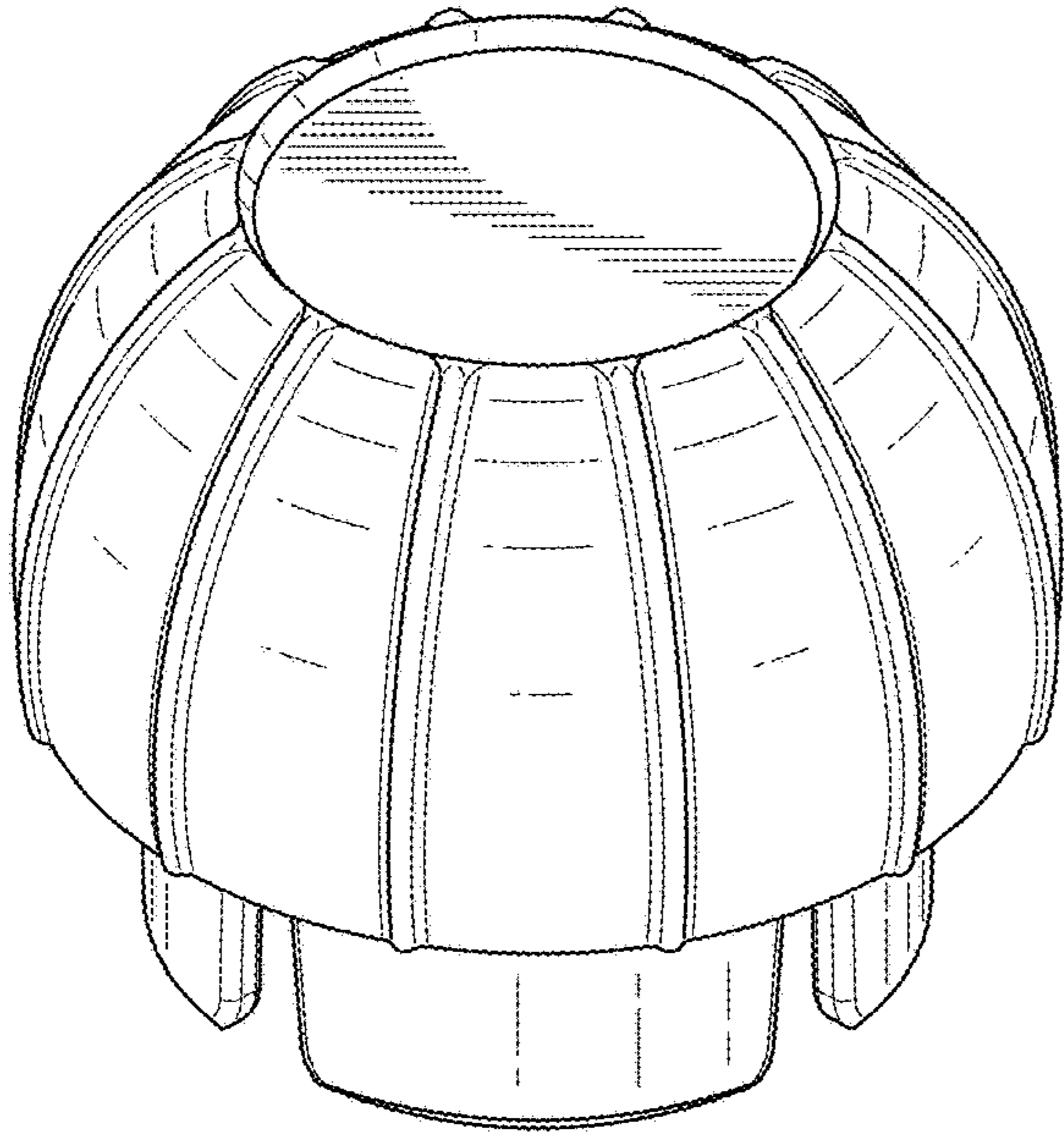
*FIG. 4*



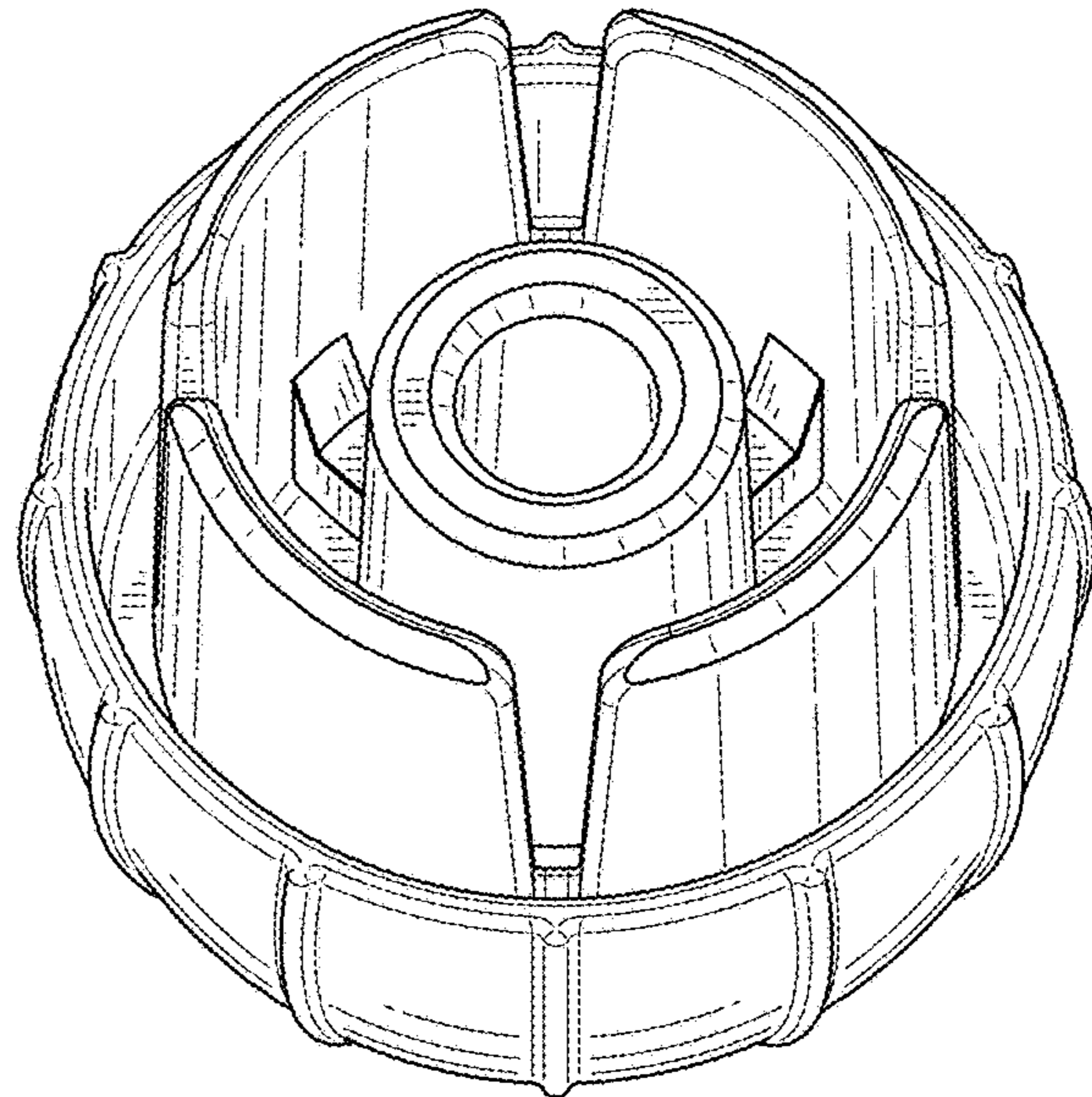
*FIG. 5*



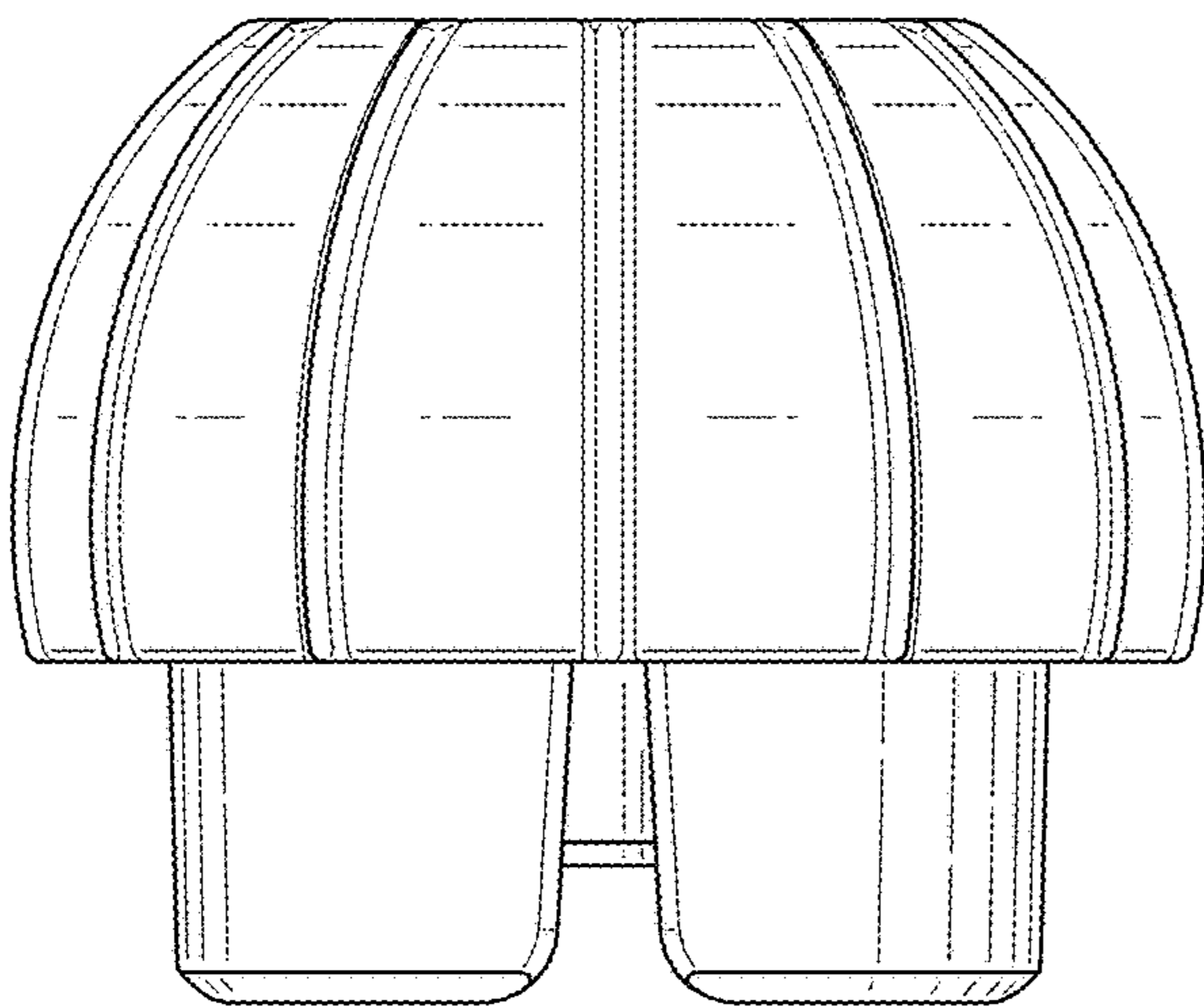
*FIG. 6*



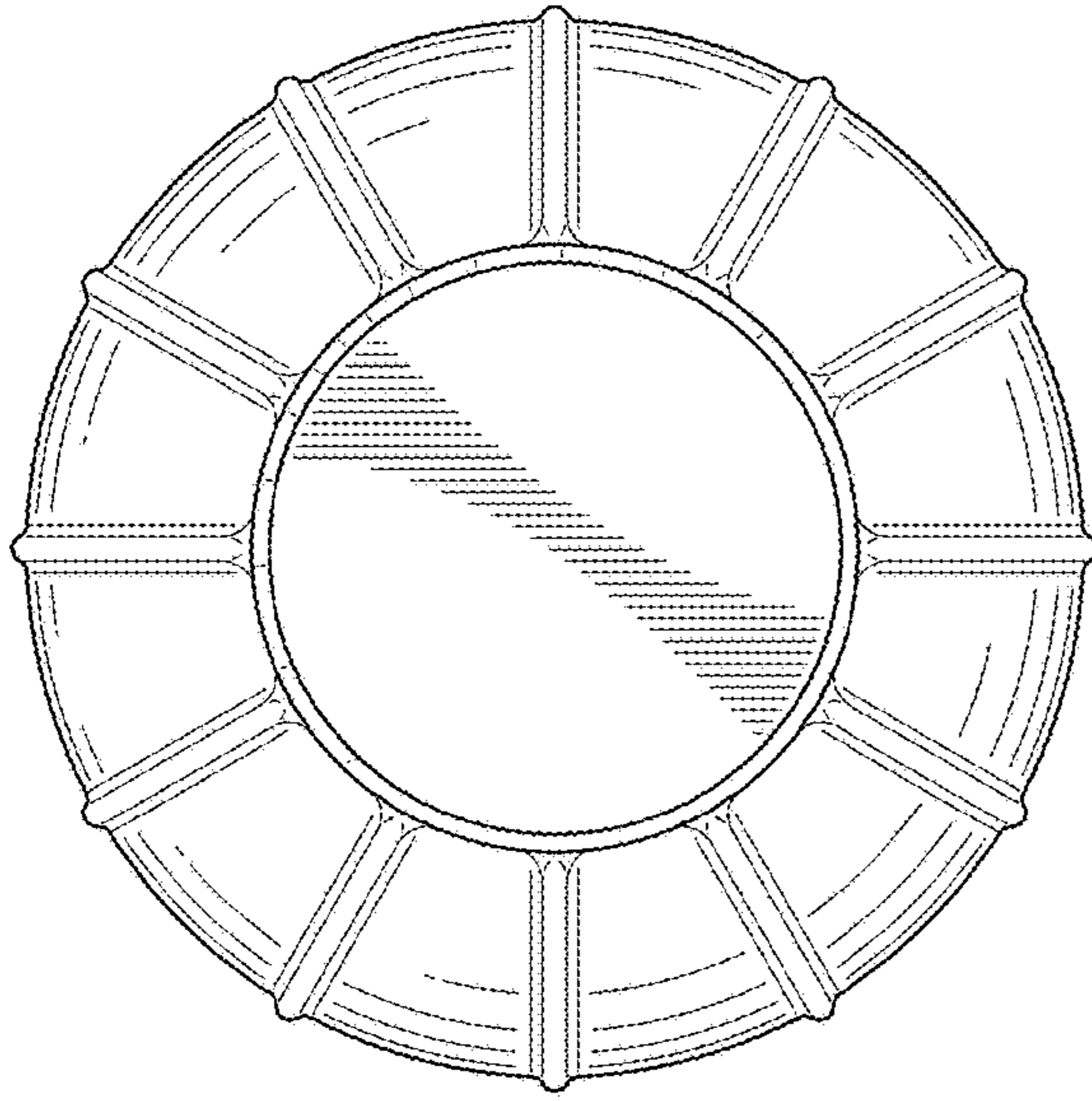
*FIG. 7*



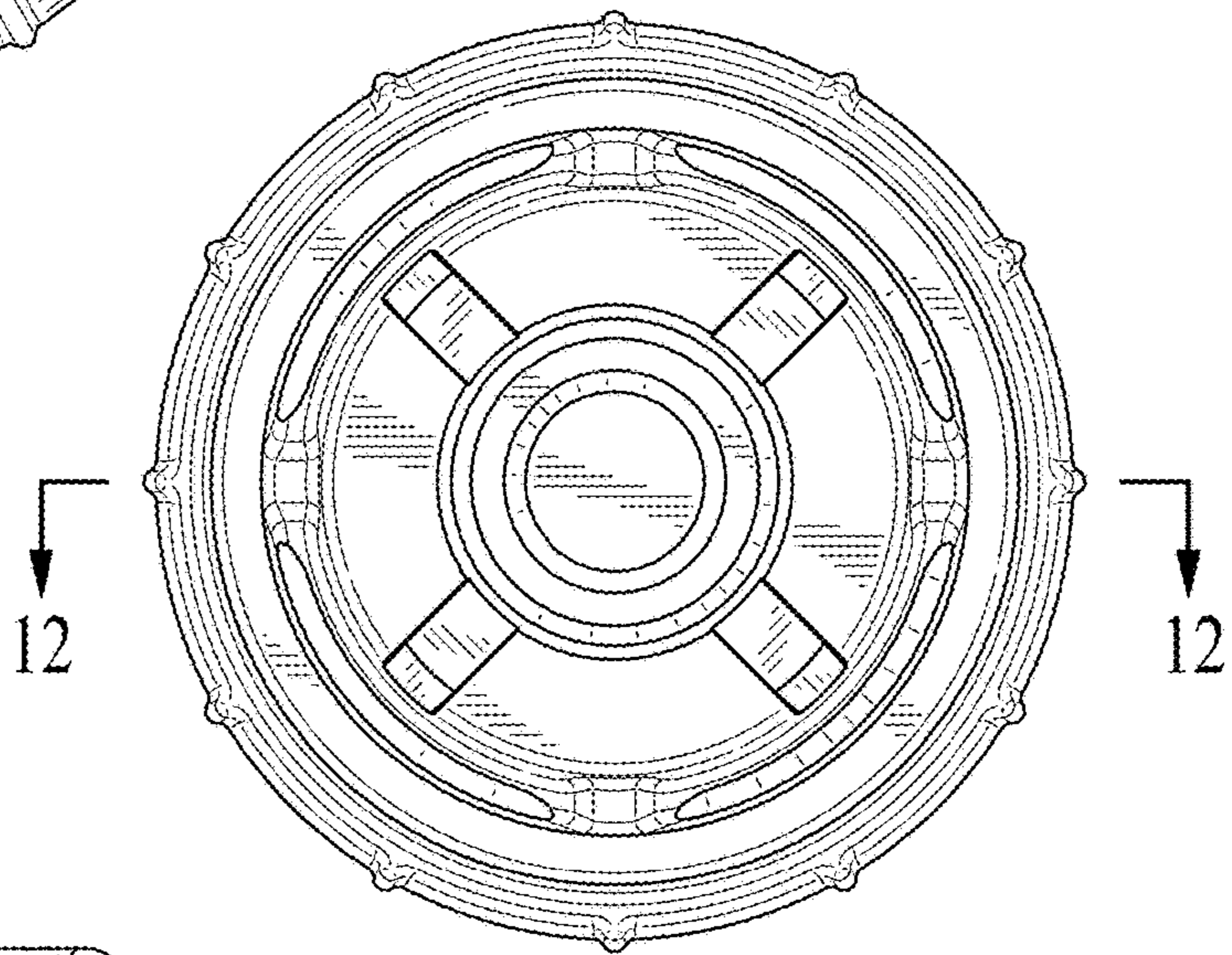
*FIG. 8*



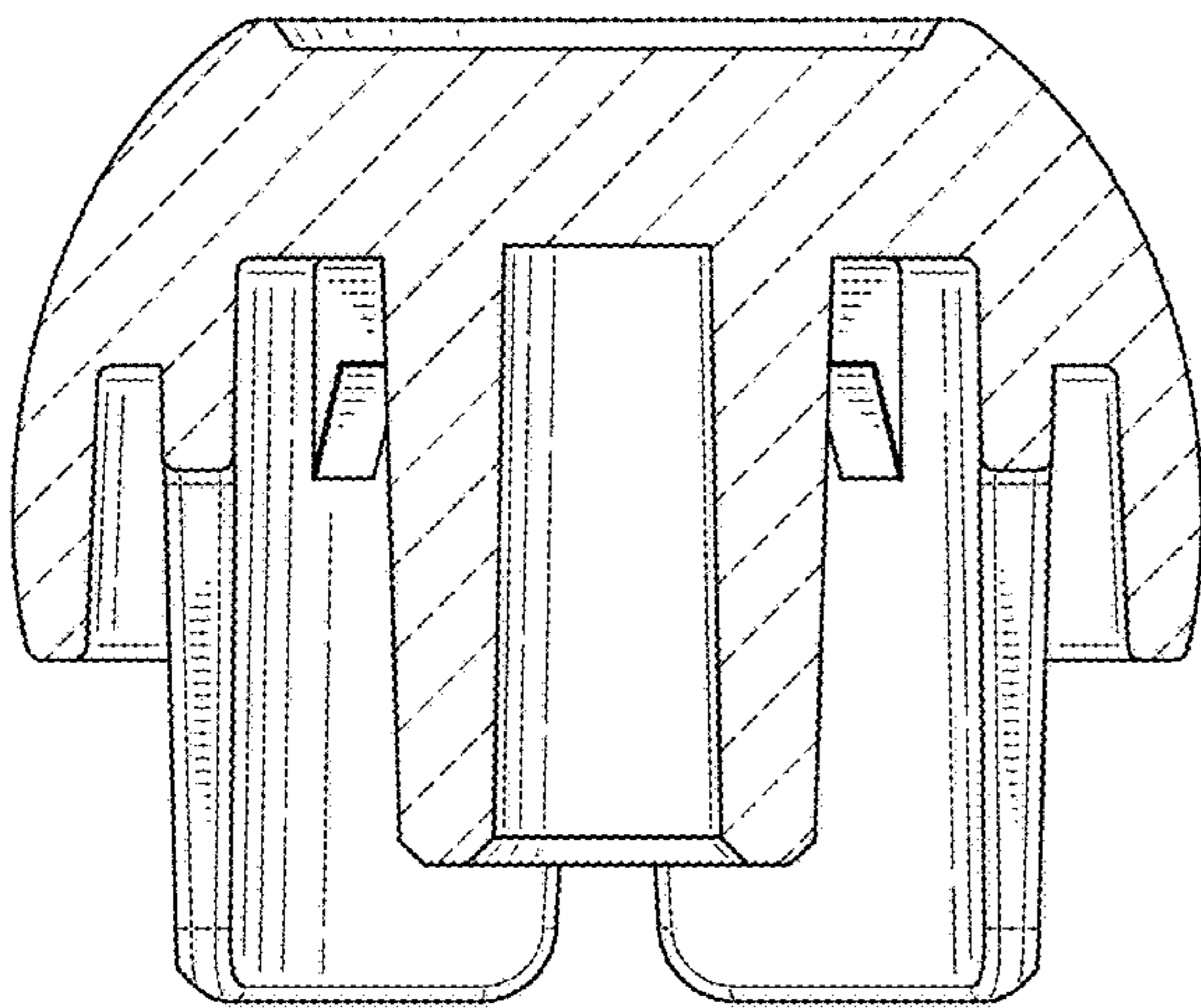
*FIG. 9*



*FIG. 10*



*FIG. 11*



*FIG. 12*