



US00D789528S

(12) **United States Design Patent** (10) **Patent No.:** **US D789,528 S**  
**Wohlfahrt et al.** (45) **Date of Patent:** **\*\* Jun. 13, 2017**

(54) **AUTOINJECTOR CAP**  
(71) Applicant: **Sanofi-Aventis Deutschland GmbH**,  
Frankfurt (DE)  
(72) Inventors: **Tobias Wohlfahrt**, Munich, DE (US);  
**Christian Rogge**, Munich (DE)  
(73) Assignee: **Sanofi-Aventis Deutschland GMBH**,  
Frankfurt am Main (DE)

D623,738 S \* 9/2010 Van der Stappen ..... D24/130  
D627,061 S 11/2010 Van der Stappen  
D629,895 S \* 12/2010 Demleitner ..... D24/133  
D665,497 S \* 8/2012 Marshall ..... D24/130  
8,298,194 B2 10/2012 Moller  
D676,552 S \* 2/2013 McLoughlin ..... D24/130  
D683,016 S 5/2013 Mirza  
D687,543 S 8/2013 Pala  
D688,796 S \* 8/2013 Niunoya ..... D24/127  
D696,773 S 12/2013 Schneider  
D696,774 S 12/2013 Guarraia  
D696,775 S 12/2013 Guarraia  
D697,205 S 1/2014 Schneider

(\*\*) Term: **14 Years**

(Continued)

(21) Appl. No.: **29/520,139**

**OTHER PUBLICATIONS**

(22) Filed: **Mar. 11, 2015**

Examination Report in NZ Application No. 420861, dated Nov. 10, 2015, 2 pages.

(30) **Foreign Application Priority Data**

(Continued)

Jan. 7, 2015 (EM) ..... 002609784-0015  
Jan. 7, 2015 (EM) ..... 002609784-0018

*Primary Examiner* — David Muller  
*Assistant Examiner* — Nathan Johnston

(51) **LOC (10) Cl.** ..... **24-02**

(74) *Attorney, Agent, or Firm* — Fish & Richardson P.C.

(52) **U.S. Cl.**  
USPC ..... **D24/130**

(57) **CLAIM**

(58) **Field of Classification Search**  
USPC ..... D24/127–131, 112–114, 133, 186;  
606/181, 185; 604/264, 523–528, 272,  
604/187, 158, 164.01–164.11, 181, 184,  
604/227; 600/101, 139, 143;  
128/200.24, 207.14, 207.15  
CPC ..... A61M 5/178; A61M 3/00; A61M 5/20;  
A61M 5/31; A61M 5/3146; A61M  
5/3129; A61M 5/3148; A61M 5/315  
See application file for complete search history.

The ornamental design for an autoinjector cap, as shown and described.

**DESCRIPTION**

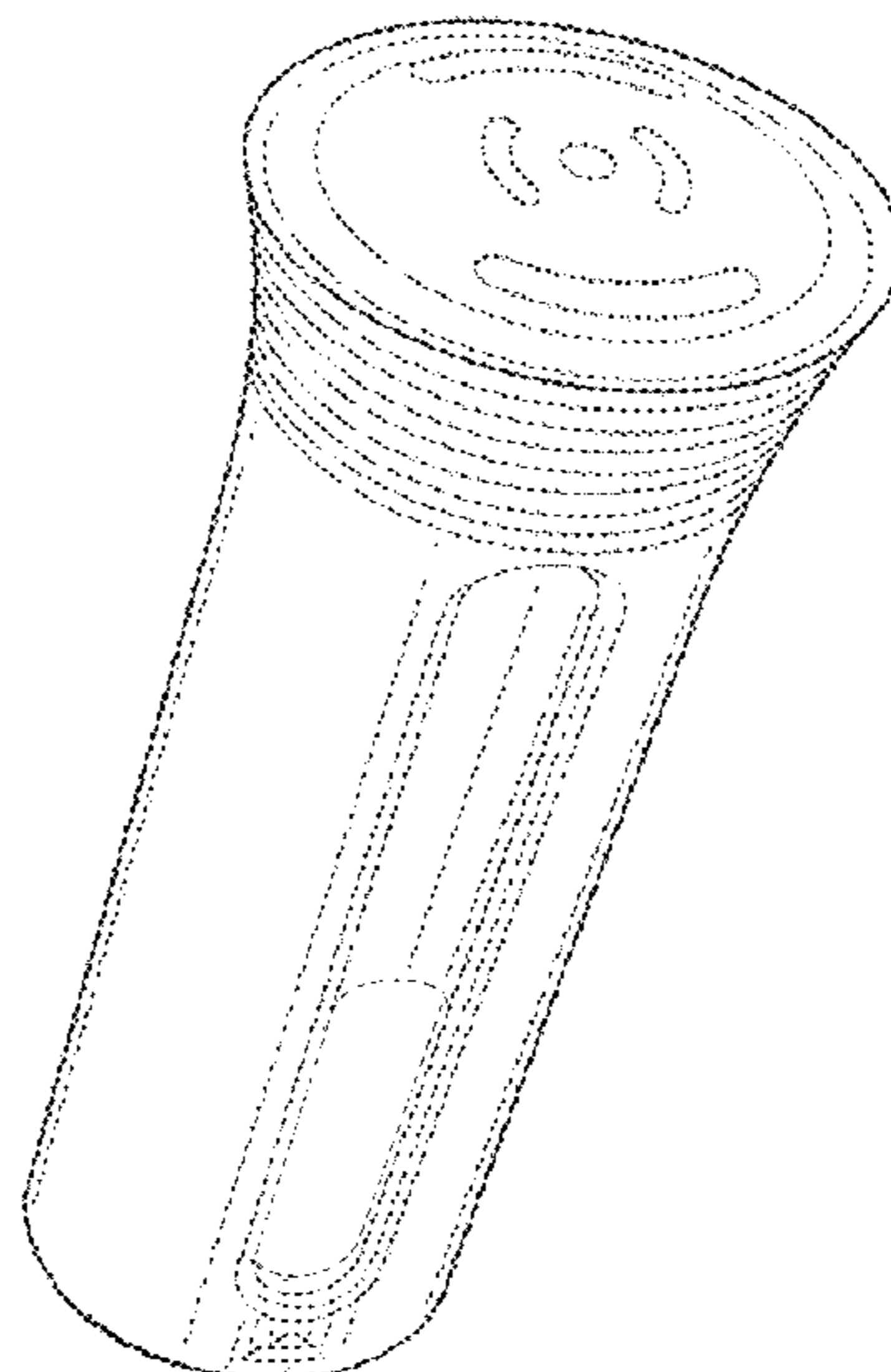
(56) **References Cited**

**U.S. PATENT DOCUMENTS**

D484,977 S 1/2004 Ryan  
D568,468 S \* 5/2008 Sudo ..... D24/130  
D581,046 S \* 11/2008 Sudo ..... D24/130  
D616,089 S \* 5/2010 Van der Stappen ..... D24/113

FIG. 1 is a front top left perspective view of an autoinjector cap showing our new design;  
FIG. 2 is a front elevation view thereof;  
FIG. 3 is a rear elevation view thereof;  
FIG. 4 is a left side view thereof;  
FIG. 5 is a right side view thereof;  
FIG. 6 is a top plan view thereof; and,  
FIG. 7 is a bottom plan view thereof.  
The broken lines of even length shown in the drawings illustrate portions of the autoinjector cap that forms no part of the claimed design.

**1 Claim, 6 Drawing Sheets**



(56)

**References Cited**

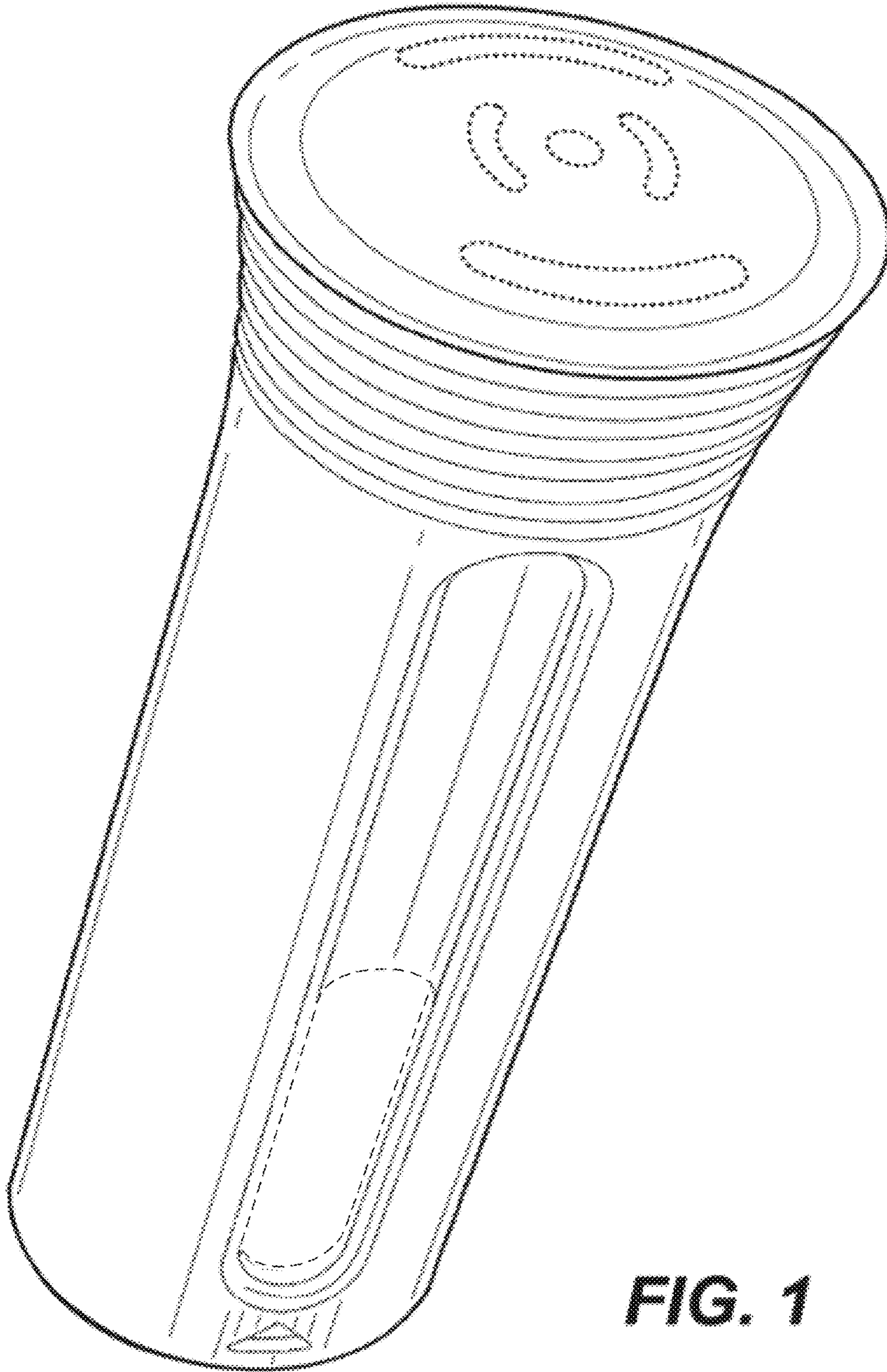
U.S. PATENT DOCUMENTS

8,740,860	B2	6/2014	Theucher	
D708,317	S	7/2014	Schneider	
D714,932	S	10/2014	Hall	
D728,782	S	5/2015	Dubuc	
D732,161	S	6/2015	Ohashi	
D732,661	S	6/2015	Dubuc	
D733,869	S *	7/2015	Ratjen .....	D24/113
D737,430	S *	8/2015	Wargner .....	D24/112
D739,011	S	9/2015	Morrison, Jr.	
D739,932	S *	9/2015	Ratjen .....	D24/113
D743,539	S	11/2015	Chung	
D745,664	S	12/2015	Pocock	
D750,779	S *	3/2016	Ahluwalia .....	D24/133
D751,192	S *	3/2016	She .....	D24/127

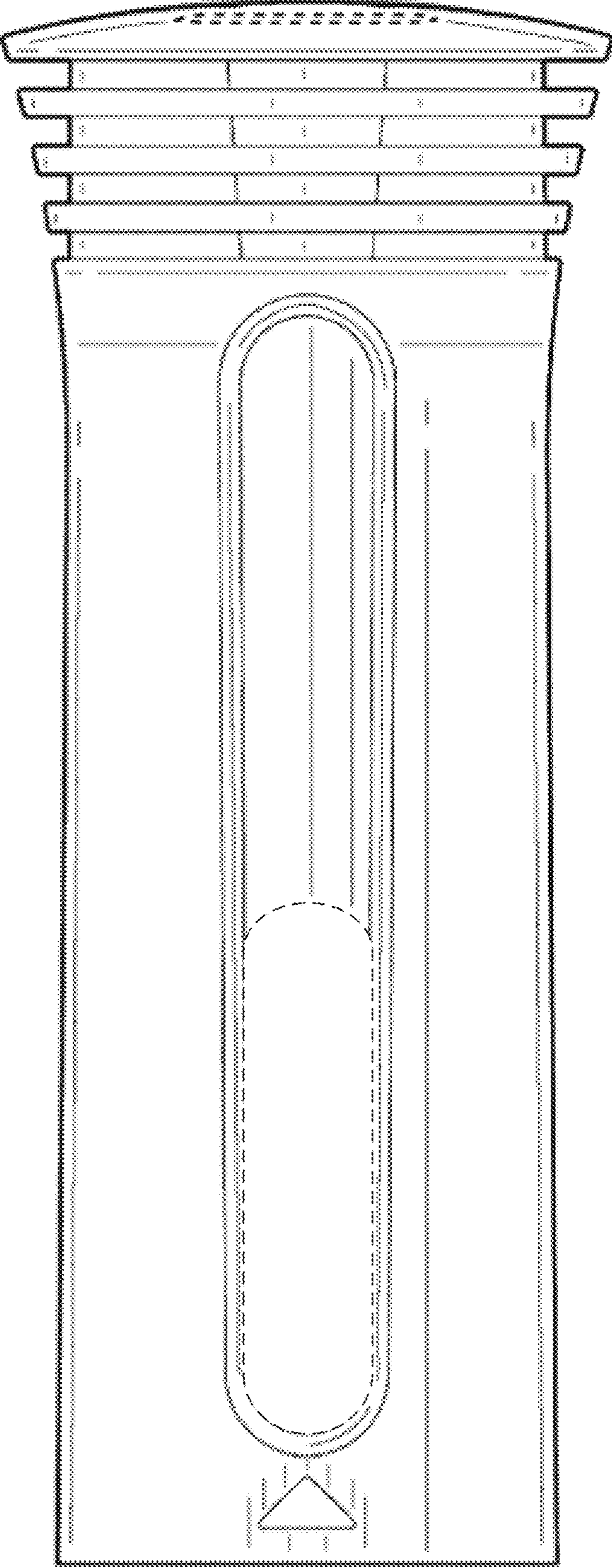
OTHER PUBLICATIONS

Screenshots relating to "Auto Injector citations by SHL Group,"  
publically visible from Dec. 30, 2014, 4 pages.

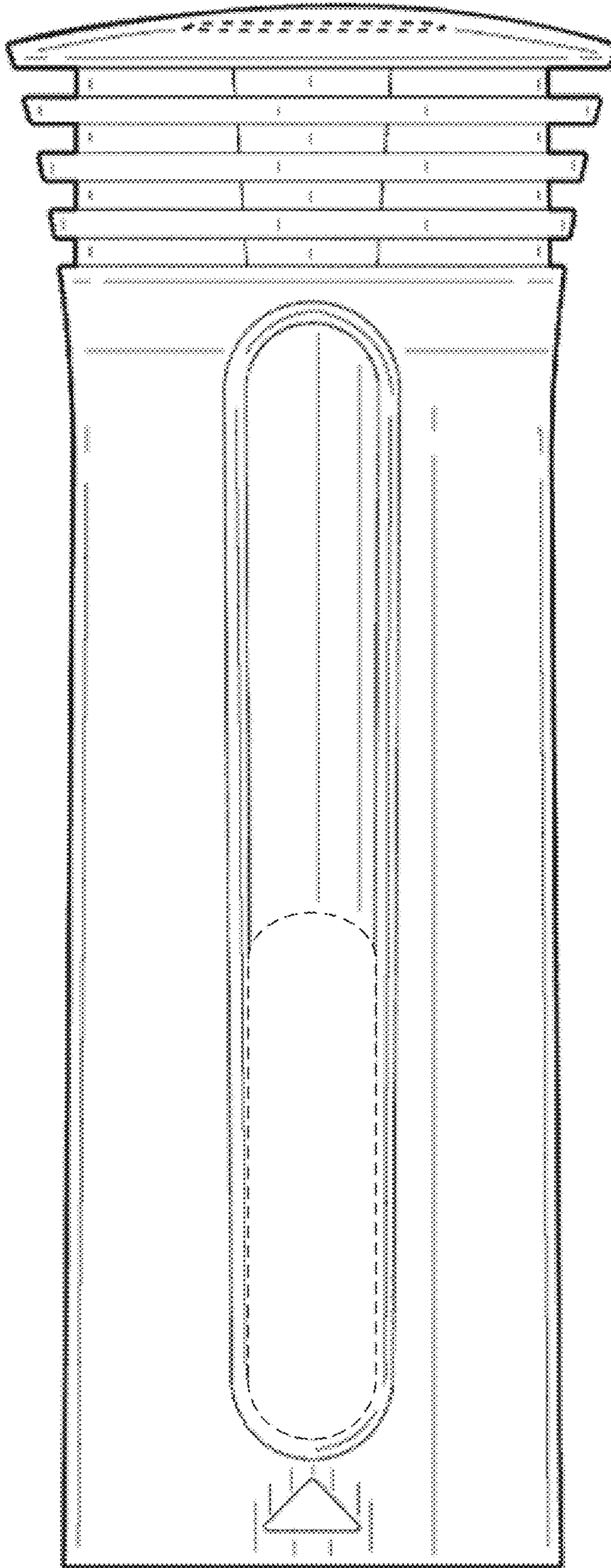
\* cited by examiner



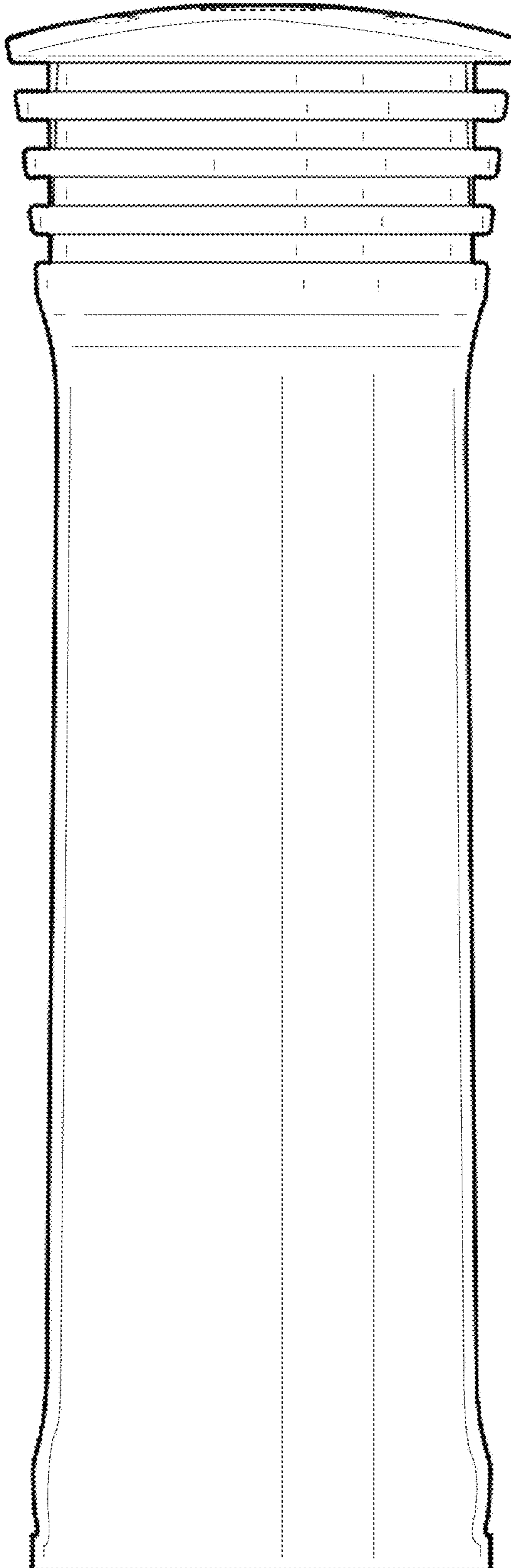
**FIG. 1**



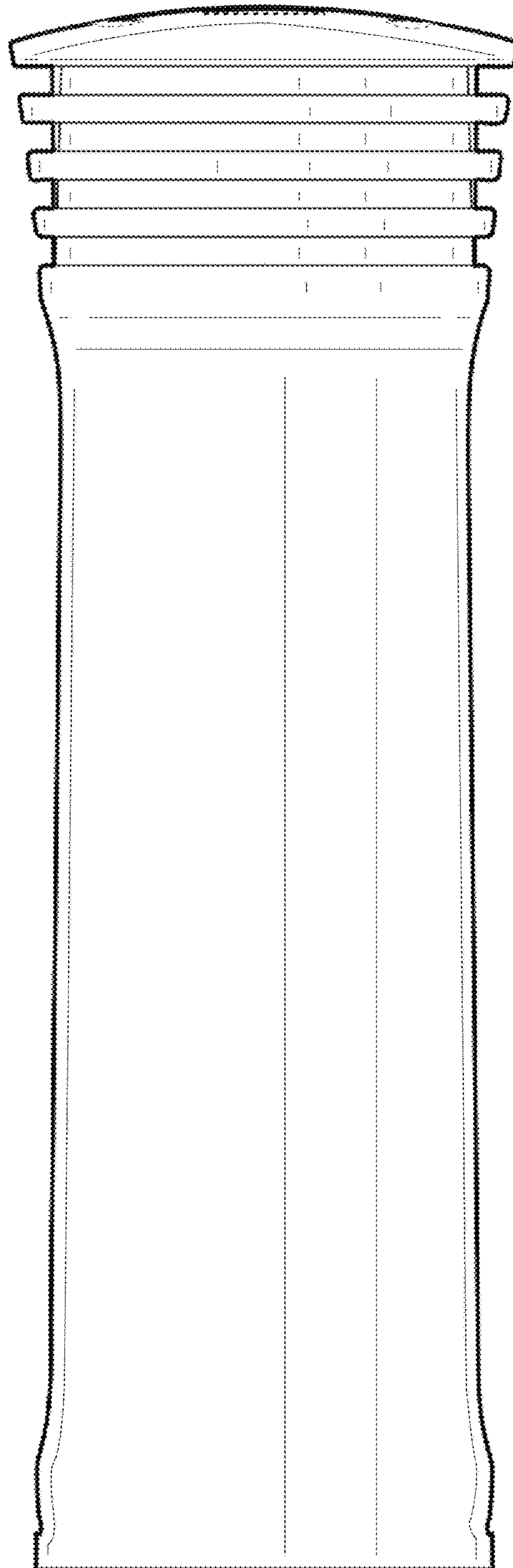
**FIG. 2**



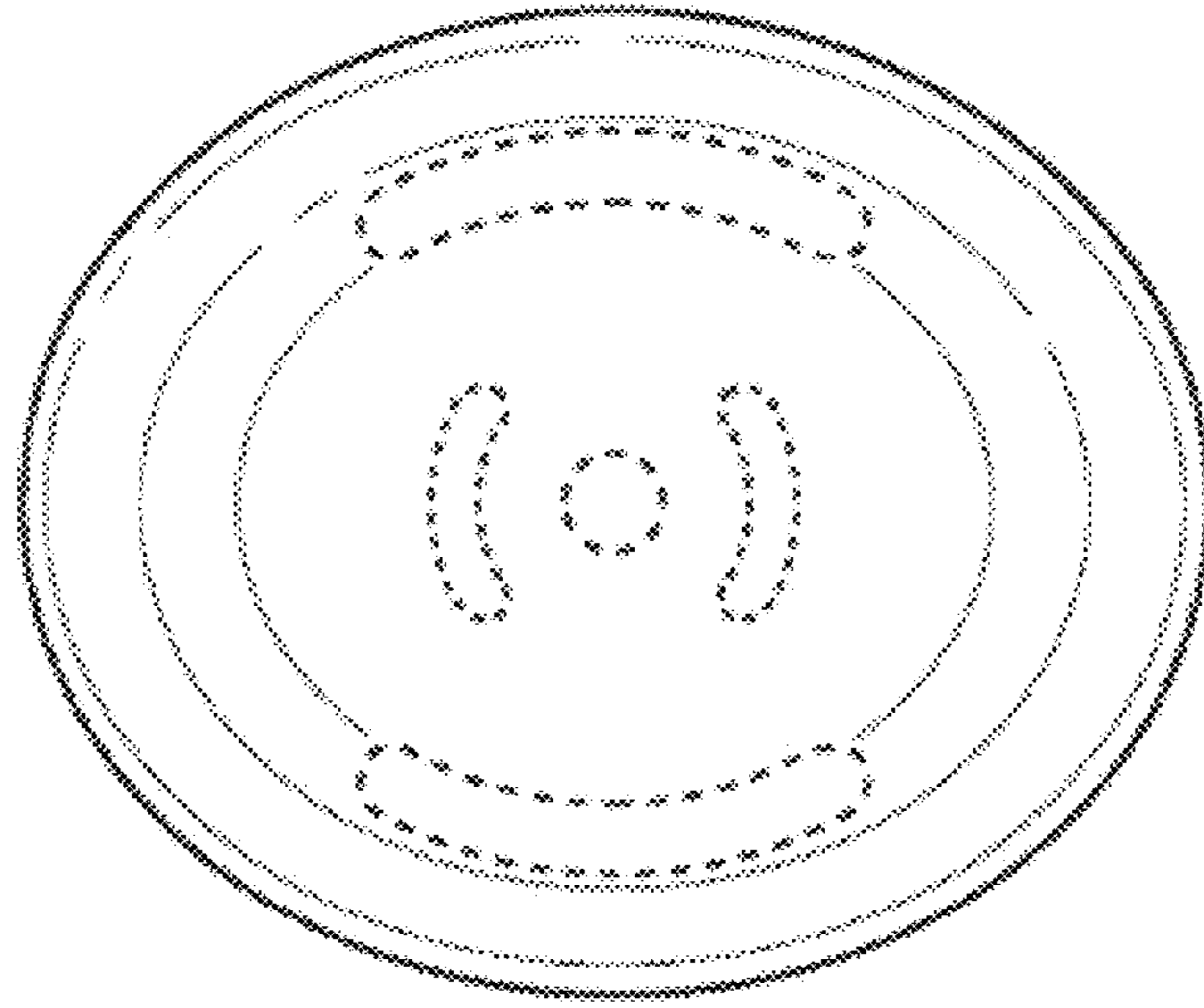
**FIG. 3**



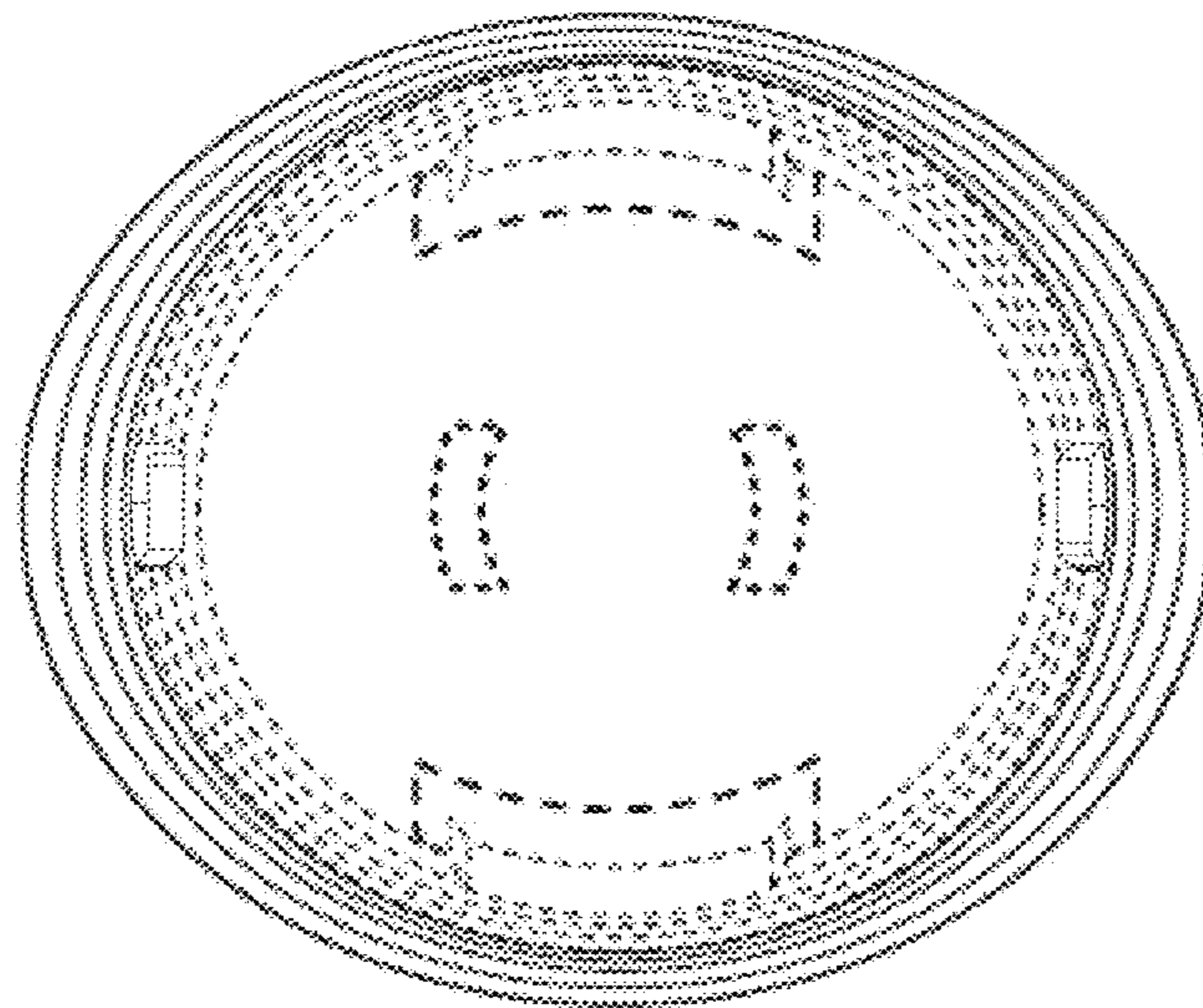
**FIG. 4**



**FIG. 5**



**FIG. 6**



**FIG. 7**