



US00D789525S

(12) **United States Design Patent**  
**Fites et al.**

(10) **Patent No.:** **US D789,525 S**  
(45) **Date of Patent:** **\*\* Jun. 13, 2017**

(54) **ABSORBENT ARTICLE SUBSTRATE WITH A PATTERN**

(71) Applicant: **The Procter & Gamble Company**,  
Cincinnati, OH (US)

(72) Inventors: **Theodore Cory Fites**, Cincinnati, OH  
(US); **Sarah Ann Sanborn**, Frankfurt  
am Main (DE); **Jennifer Lynn DuSold**,  
Cincinnati, OH (US)

(73) Assignee: **The Procter & Gamble Company**,  
Cincinnati, OH (US)

(\*\*) Term: **14 Years**

(21) Appl. No.: **29/494,315**

(22) Filed: **Jun. 19, 2014**

(51) **LOC (10) Cl.** ..... **24-04**

(52) **U.S. Cl.**  
USPC ..... **D24/126**

(58) **Field of Classification Search**  
USPC .... D24/124–126; D5/60, 21, 25, 26, 35, 39,  
D5/29, 47, 59, 61, 56  
CPC ..... A61F 13/476; A61F 13/4704; A61F  
13/47245; A61F 13/4702; A61F 13/533;  
A61F 13/47263; A61F 13/15203; B32B  
3/266; B41M 3/12; B41M 3/18; B44F  
1/00; B44F 3/00; B44F 5/00; B44F 9/10;  
B44F 11/04; B44F 11/06; D03D 1/0047;  
D03D 25/003; D04H 1/00; D10B  
2503/04; D21H 27/02  
See application file for complete search history.

(56) **References Cited**

**U.S. PATENT DOCUMENTS**

D566,266 S \* 4/2008 Johnson ..... D24/126  
D567,371 S \* 4/2008 Diego ..... D24/126  
D580,050 S \* 11/2008 Rinaldi ..... D24/126

D594,554 S \* 6/2009 Rinaldi ..... D24/126  
D594,980 S \* 6/2009 Rinaldi ..... D24/126  
D601,352 S \* 10/2009 Skinner ..... D24/126  
D624,179 S \* 9/2010 Baquer Molas ..... D24/126  
D657,454 S \* 4/2012 Gehrke ..... D24/126  
D657,456 S \* 4/2012 Gehrke ..... D24/126  
D660,959 S \* 5/2012 Gehrke ..... D24/126  
D681,197 S \* 4/2013 Johnson ..... D24/126  
D686,320 S \* 7/2013 Hawes ..... D24/126  
D691,715 S \* 10/2013 Mason ..... D24/126  
D722,159 S \* 2/2015 Cutshaw ..... D24/126  
9,211,218 B2 \* 12/2015 Rinnert ..... A61F 13/511  
2005/0217791 A1 10/2005 Costello et al.

\* cited by examiner

*Primary Examiner* — Michael A. Pratt

*Assistant Examiner* — Michelle E Wilson

(74) *Attorney, Agent, or Firm* — Sarah M. DeCristofaro

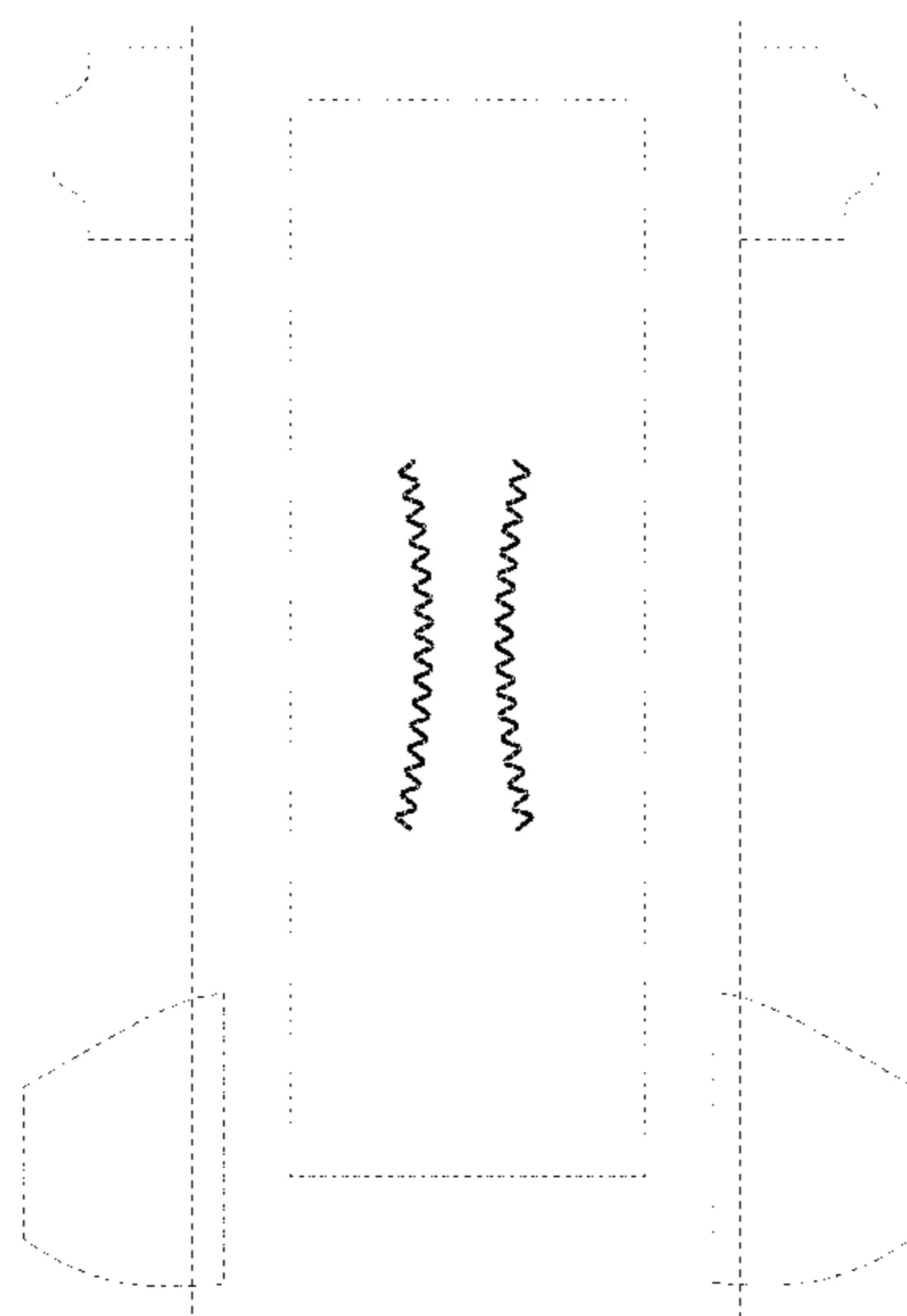
(57) **CLAIM**

The ornamental design for an absorbent article substrate with a pattern, as shown and described.

**DESCRIPTION**

FIG. 1 is a front view of an embodiment of an absorbent article substrate with a pattern;  
FIG. 2 is a rear view of the embodiment of an absorbent article substrate with a pattern shown in FIG. 1;  
FIG. 3 is a top end view of the embodiment of an absorbent article substrate with a pattern shown in FIG. 1;  
FIG. 4 is a left side view of the embodiment of an absorbent article substrate with a pattern shown in FIG. 1;  
FIG. 5 is a right side view of the embodiment of an absorbent article substrate with a pattern shown in FIG. 1;  
and,  
FIG. 6 is a bottom end view of the embodiment of an absorbent article substrate with a pattern shown in FIG. 1.  
The broken lines, including those showing the diaper tabs and ears, are included for the purpose of illustrating environment and form no part of the claimed design.

**1 Claim, 3 Drawing Sheets**



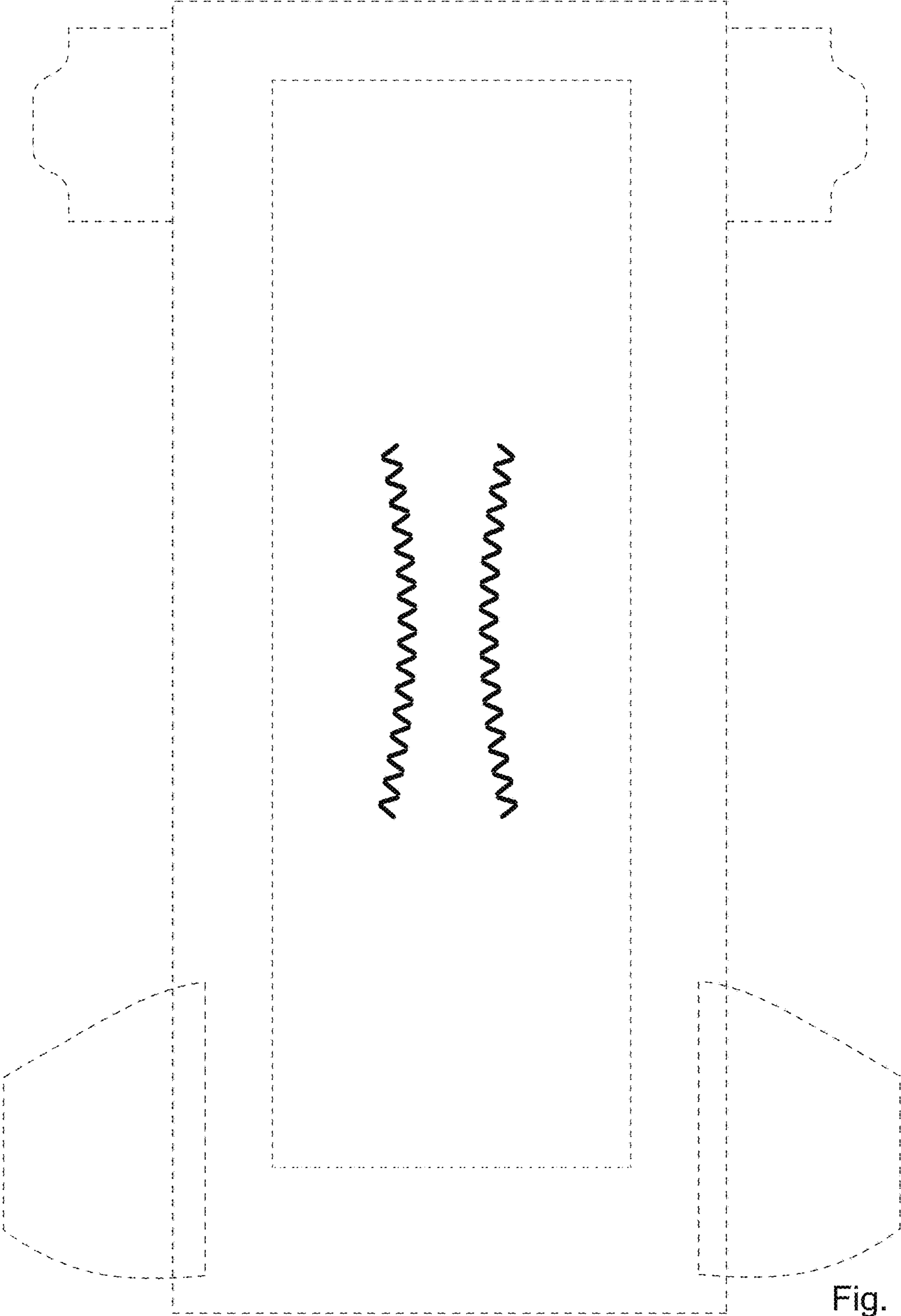


Fig. 1

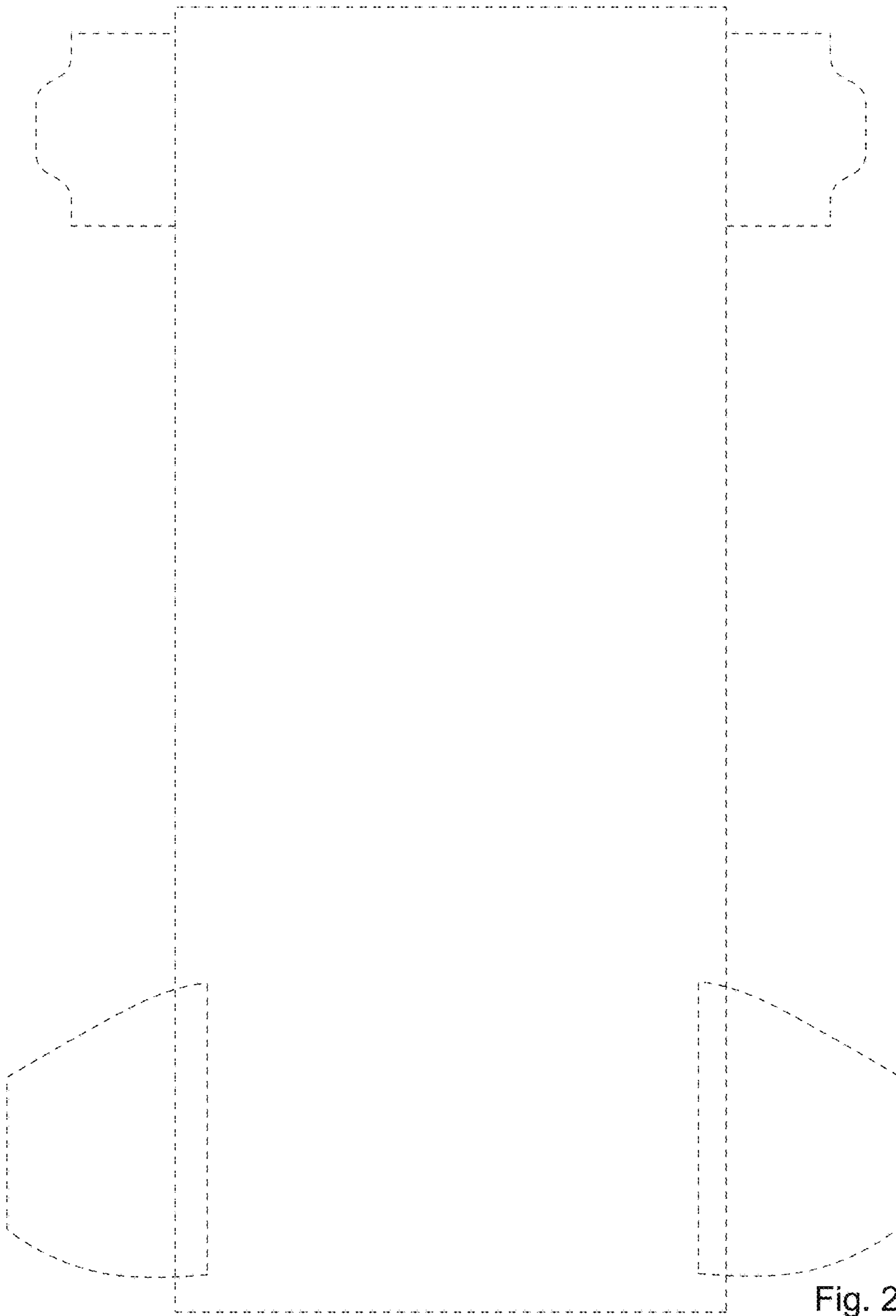


Fig. 2

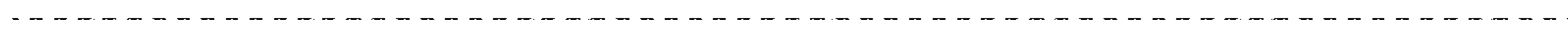


Fig. 3

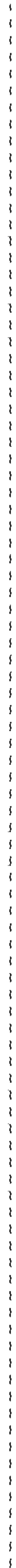


Fig. 4

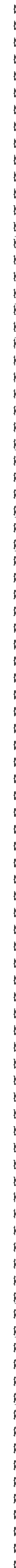


Fig. 5

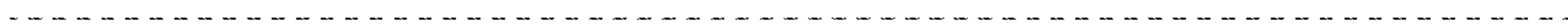


Fig. 6