



US00D789524S

(12) **United States Design Patent**  
**Fites et al.**

(10) **Patent No.:** **US D789,524 S**  
(45) **Date of Patent:** **\*\* Jun. 13, 2017**

(54) **ABSORBENT ARTICLE SUBSTRATE WITH A PATTERN**

(71) Applicant: **The Procter & Gamble Company**,  
Cincinnati, OH (US)

(72) Inventors: **Theodore Cory Fites**, Cincinnati, OH  
(US); **Ann Cecilia Tapp**, West Chester,  
OH (US); **Jennifer Lynn DuSold**,  
Cincinnati, OH (US)

(73) Assignee: **The Procter & Gamble Company**,  
Cincinnati, OH (US)

(\*\*) Term: **14 Years**

(21) Appl. No.: **29/494,312**

(22) Filed: **Jun. 19, 2014**

(51) **LOC (10) Cl.** ..... **24-04**

(52) **U.S. Cl.**  
USPC ..... **D24/126**

(58) **Field of Classification Search**  
USPC ..... D24/124–126  
CPC ..... A61F 13/47218; A61F 13/4704; A61F  
13/476; A61F 13/15203; A61F 13/4756;  
A61F 13/5616; A61F 13/4758; A61F  
2013/4706  
See application file for complete search history.

(56) **References Cited**

**U.S. PATENT DOCUMENTS**

D403,765 S *	1/1999	Brown	.....	D24/125
D412,575 S *	8/1999	Trombetta	.....	D24/124
D430,665 S *	9/2000	Kirkbride	.....	D24/125
D432,649 S *	10/2000	Brown	.....	D24/125
D434,849 S *	12/2000	Kirkbride	.....	D24/125
D448,476 S *	9/2001	Page	.....	D24/124
D448,846 S *	10/2001	Page	.....	D24/124
D463,549 S *	9/2002	Gannon	.....	D24/124
D482,784 S *	11/2003	Babusik	.....	D24/124

D482,785 S *	11/2003	Lord	.....	D24/124
D482,786 S *	11/2003	Harriz	.....	D24/125
D503,230 S *	3/2005	Christianson	.....	D24/125
D510,435 S *	10/2005	Christianson	.....	D24/125
D511,001 S *	10/2005	Christianson	.....	D24/125
D541,932 S *	5/2007	Lemaire	.....	D24/124
D542,409 S *	5/2007	Wannaborworn	.....	D24/125
D553,244 S *	10/2007	Martynus	.....	D24/126
D561,334 S *	2/2008	Martynus	.....	D24/125
D566,266 S *	4/2008	Johnson	.....	D24/126
D567,371 S *	4/2008	Diego	.....	D24/126
D578,213 S *	10/2008	Rinaldi	.....	D24/126
D579,560 S *	10/2008	Rinaldi	.....	D24/126

(Continued)

*Primary Examiner* — Michael A. Pratt

*Assistant Examiner* — Michelle E Wilson

(74) *Attorney, Agent, or Firm* — Sarah M. DeCristofaro

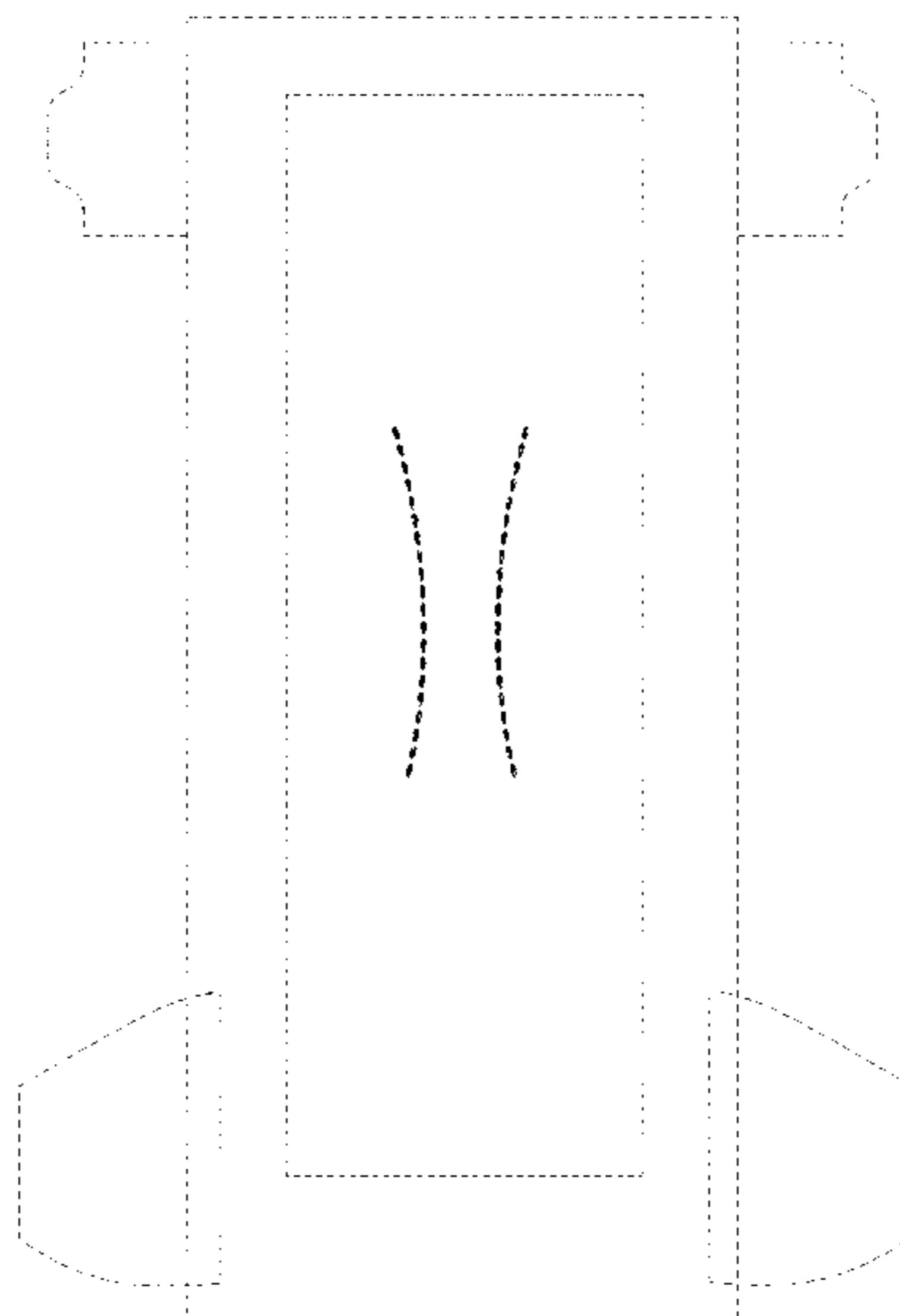
(57) **CLAIM**

The ornamental design for an absorbent article substrate with a pattern, as shown and described.

**DESCRIPTION**

FIG. 1 is a front view of an embodiment of an absorbent article substrate with a pattern;  
FIG. 2 is a rear view of the embodiment of an absorbent article substrate with a pattern shown in FIG. 1;  
FIG. 3 is a top end view of the embodiment of an absorbent article substrate with a pattern shown in FIG. 1;  
FIG. 4 is a left side view of the embodiment of an absorbent article substrate with a pattern shown in FIG. 1;  
FIG. 5 is a right side view of the embodiment of an absorbent article substrate with a pattern shown in FIG. 1; and,  
FIG. 6 is a bottom end view of the embodiment of an absorbent article substrate with a pattern shown in FIG. 1. The broken lines, including those showing the diaper tabs and ears, are included for the purpose of illustrating environment and form no part of the claimed design.

**1 Claim, 3 Drawing Sheets**



(56)

## References Cited

## U.S. PATENT DOCUMENTS

D580,050 S \* 11/2008 Rinaldi ..... D24/126  
D589,609 S \* 3/2009 Bissah ..... D24/124  
D594,554 S \* 6/2009 Rinaldi ..... D24/126  
D594,980 S \* 6/2009 Rinaldi ..... D24/126  
D597,665 S \* 8/2009 Rinaldi ..... D24/126  
D600,805 S \* 9/2009 Hood ..... D24/124  
D601,352 S \* 10/2009 Skinner ..... D24/126  
D602,157 S \* 10/2009 Plante ..... D24/124  
D607,560 S \* 1/2010 Bruzadin ..... D24/124  
D614,766 S \* 4/2010 Hernandez ..... D24/125  
D624,179 S \* 9/2010 Baquer Molas ..... D24/126  
D634,003 S \* 3/2011 Norman ..... D24/126  
D645,144 S \* 9/2011 Mason ..... D24/126  
D646,381 S \* 10/2011 Casini ..... D24/124  
D648,849 S \* 11/2011 Houle ..... D24/124  
D651,306 S \* 12/2011 Misiti ..... D24/125  
D657,454 S \* 4/2012 Gehrke ..... D24/126  
D657,456 S \* 4/2012 Gehrke ..... D24/126  
D660,959 S \* 5/2012 Gehrke ..... D24/126  
D681,197 S \* 4/2013 Johnson ..... D24/126  
D686,320 S \* 7/2013 Hawes ..... D24/126  
D691,715 S \* 10/2013 Mason ..... D24/126  
D715,923 S \* 10/2014 Cardin ..... D24/125  
D721,804 S \* 1/2015 Cutshaw ..... D24/126  
D722,159 S \* 2/2015 Cutshaw ..... D24/126  
D723,158 S \* 2/2015 Cardin ..... D24/125  
D738,493 S \* 9/2015 Cardin ..... D24/125  
9,211,218 B2 \* 12/2015 Rinnert ..... A61F 13/511  
D756,508 S \* 5/2016 Hood ..... D24/125  
D764,659 S \* 8/2016 Blank ..... D24/126  
D773,040 S \* 11/2016 Fites ..... D24/126  
D773,653 S \* 12/2016 Kremer ..... D24/124  
2005/0217791 A1 10/2005 Costello et al.

\* cited by examiner

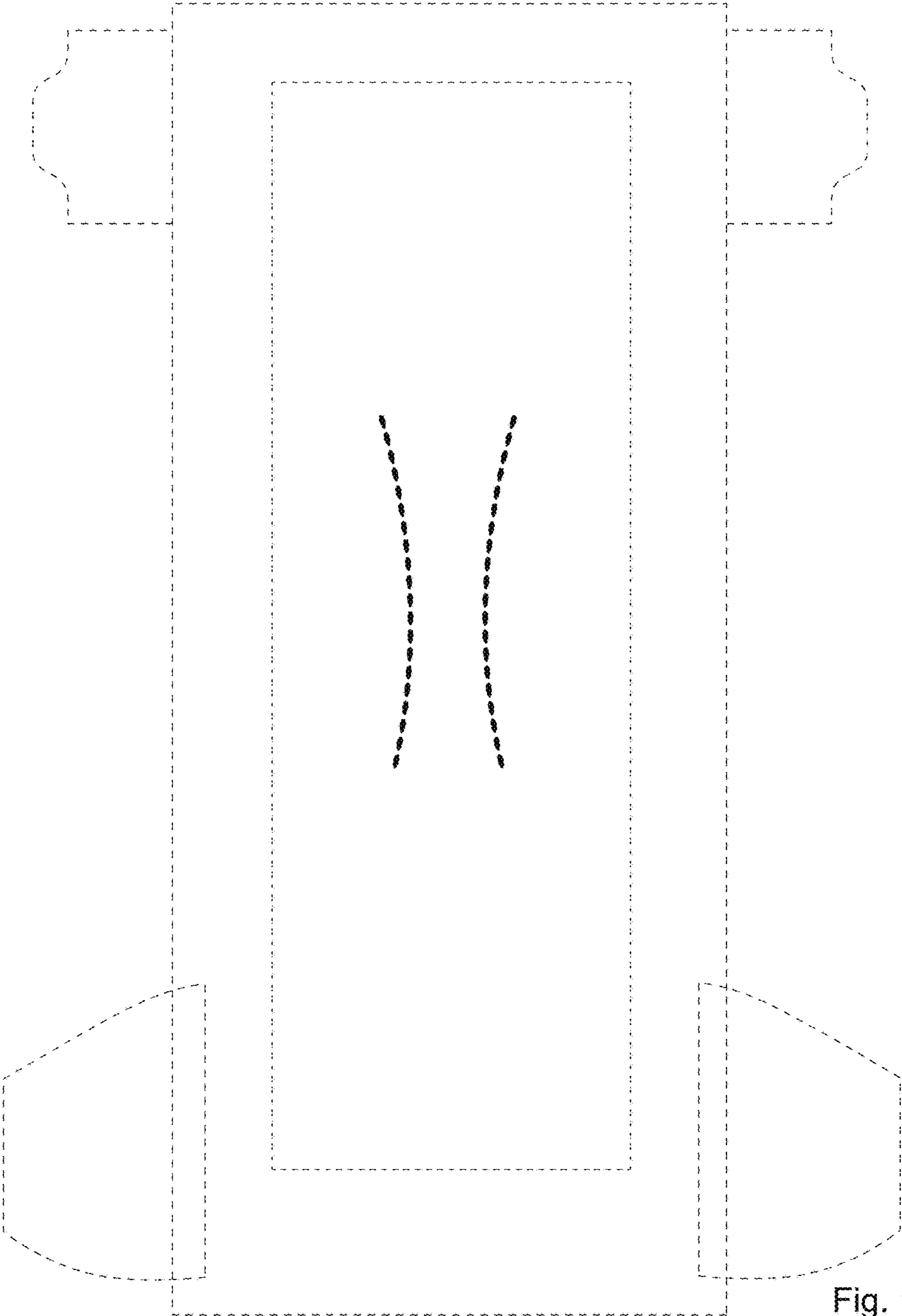


Fig. 1

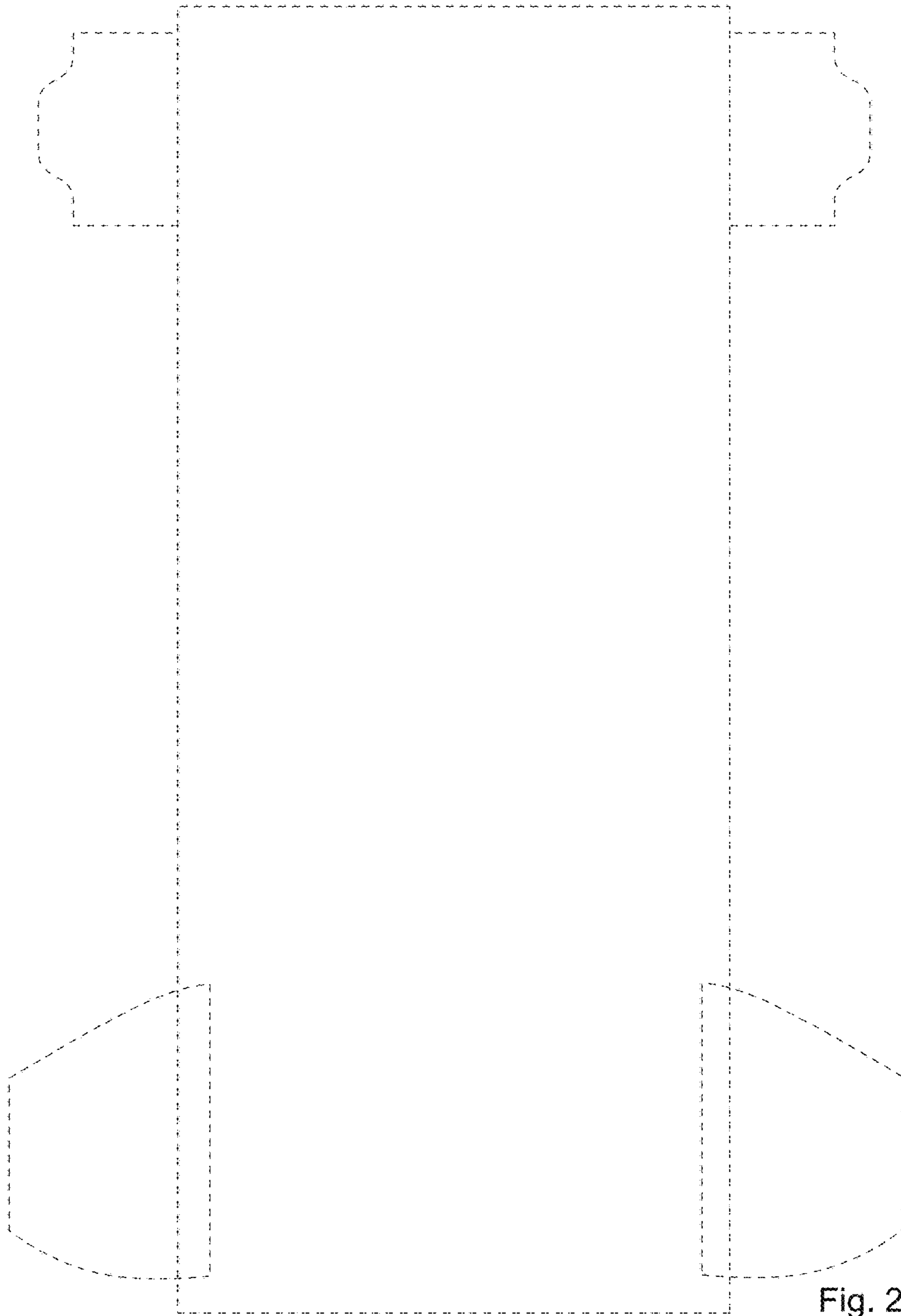


Fig. 2

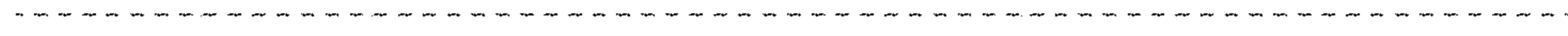


Fig. 3

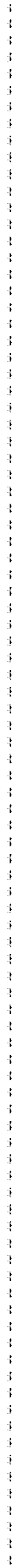


Fig. 4

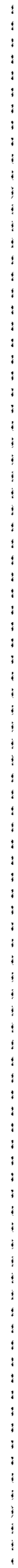


Fig. 5

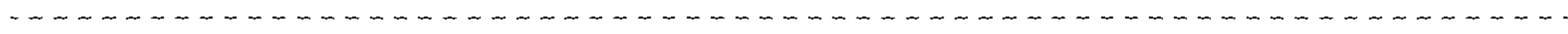


Fig. 6