



US00D789521S

(12) **United States Design Patent** (10) **Patent No.:** **US D789,521 S**
Dombrowski et al. (45) **Date of Patent:** **** Jun. 13, 2017**

(54) **LIQUID APPLICATOR**
(71) Applicant: **3M INNOVATIVE PROPERTIES COMPANY**, St. Paul, MN (US)
(72) Inventors: **Alan R. Dombrowski**, Woodbury, MN (US); **Jason L. Aveldson**, Prior Lake, MN (US); **Theresa A. McCarthy-Pohl**, Stillwater, MN (US)
(73) Assignee: **3M INNOVATIVE PROPERTIES COMPANY**, Saint Paul, MN (US)
(**) Term: **15 Years**
(21) Appl. No.: **29/549,235**
(22) Filed: **Dec. 21, 2015**
(51) **LOC (10) Cl.** **24-02**
(52) **U.S. Cl.**
USPC **D24/119**
(58) **Field of Classification Search**
USPC D24/114, 119, 127, 128, 130, 133, 147, D24/184; 128/919; 604/2, 192, 195, 604/197, 263
See application file for complete search history.

(56) **References Cited**
U.S. PATENT DOCUMENTS
D351,229 S 10/1994 Wirt
5,658,084 A 8/1997 Wirt
D442,280 S 5/2001 Crawford
D458,367 S 6/2002 Zaspel
D496,457 S 9/2004 Prais
7,540,681 B2 6/2009 Cybulski
D601,695 S 10/2009 Crawford
8,186,897 B2* 5/2012 Kaufman A45D 34/042
401/132
D678,783 S 3/2013 Wilcox
8,556,529 B2* 10/2013 Law A61M 35/006
401/132

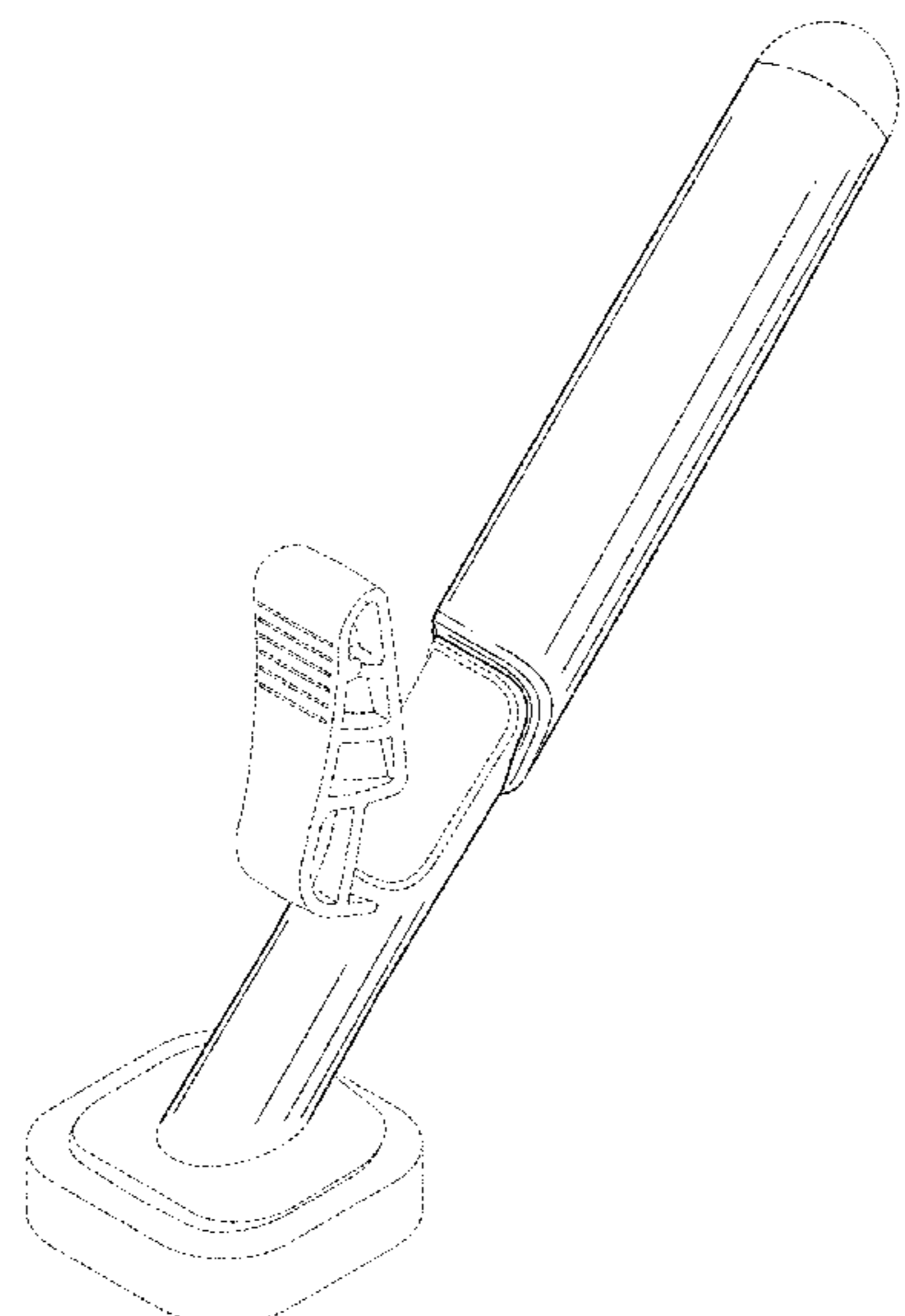
8,899,859 B2* 12/2014 Guzman A61M 35/006
401/108
8,979,785 B2* 3/2015 Korogi A61M 35/006
604/19
9,016,967 B2* 4/2015 Law A61M 35/006
401/134
9,283,364 B2* 3/2016 Lockwood A61M 35/006
D767,121 S* 9/2016 Dombrowski D24/119
2002/0072715 A1 6/2002 Newby
2002/0151853 A1 10/2002 Crawford
2004/0054334 A1 3/2004 Prais
2013/0202482 A1 8/2013 Froimson
2015/0094640 A1 4/2015 Dombrowski
* cited by examiner

Primary Examiner — Garth Rademaker
Assistant Examiner — Samantha Q Lawrence
(74) *Attorney, Agent, or Firm* — 3M Innovative Properties Company; Lynn R. Hunsberger

(57) **CLAIM**
The ornamental design for a liquid applicator, as shown and described.

DESCRIPTION
FIG. 1 is a perspective view of the new design for a liquid applicator;
FIG. 2 is a right side view thereof, the left side view being a mirror image thereof;
FIG. 3 is a front view thereof;
FIG. 4 is a rear view thereof;
FIG. 5 is a top view thereof; and,
FIG. 6 is a bottom view thereof.
The broken lines shown in FIGS. 1-6 illustrate portions of the liquid applicator that form no part of the claimed design. The dash dot lines shown in FIGS. 1-6 illustrate a boundary line that forms no part of the claimed design. In addition, the surface shading illustrated in the drawings is provided to merely highlight the contour of the design; it is not intended to be illustrative of texture or gloss.

1 Claim, 3 Drawing Sheets



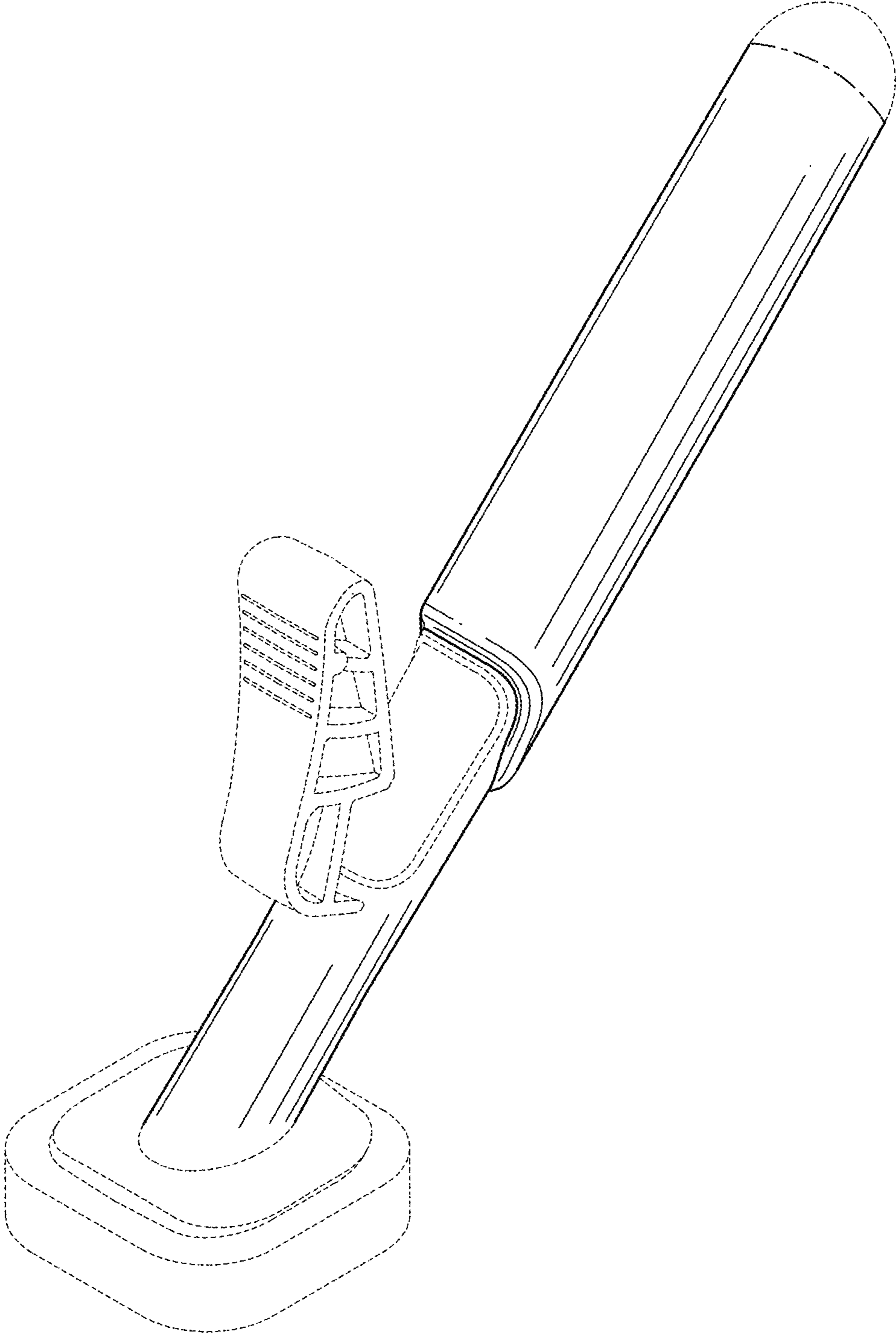


FIG. 1

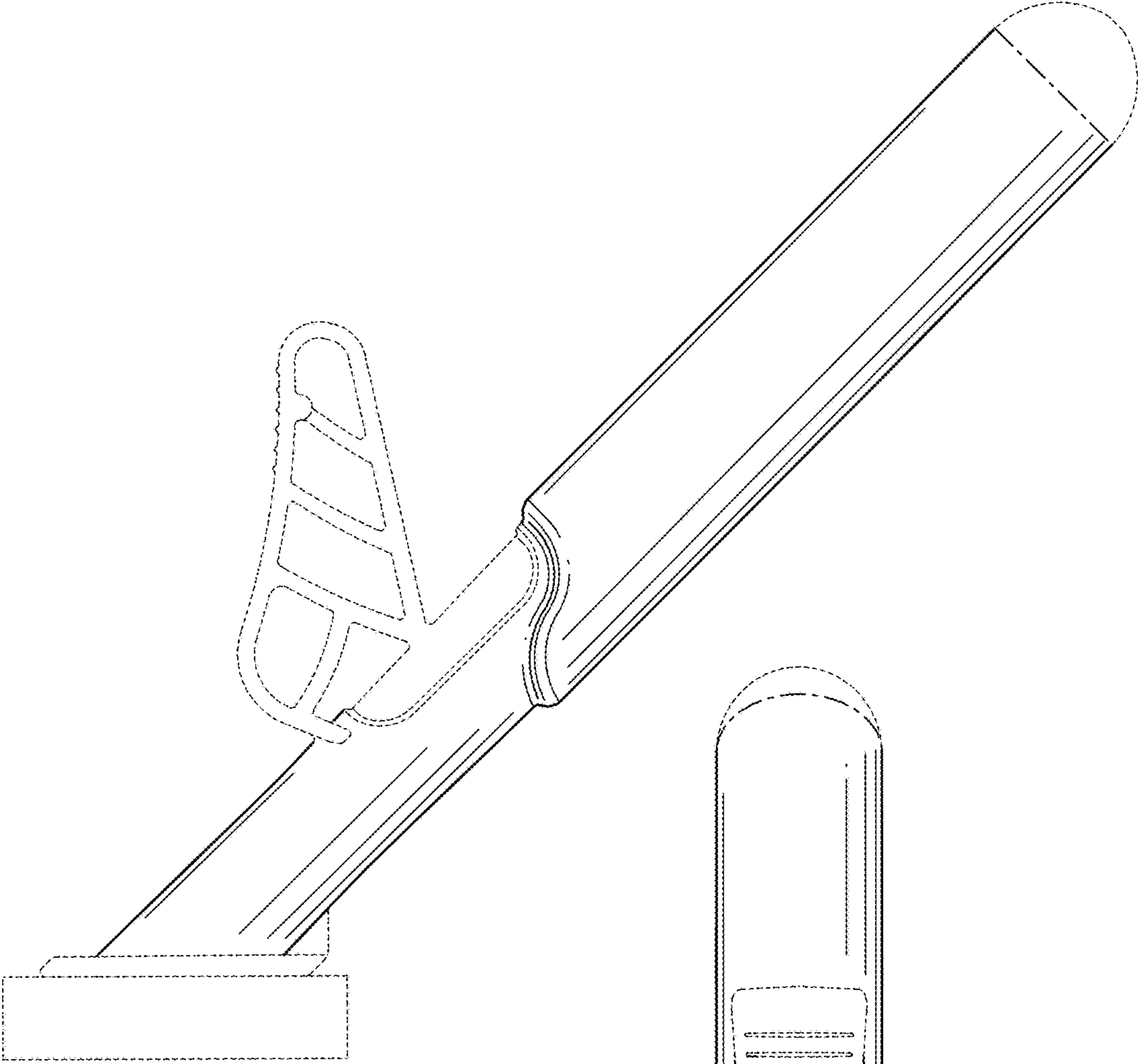


FIG. 2

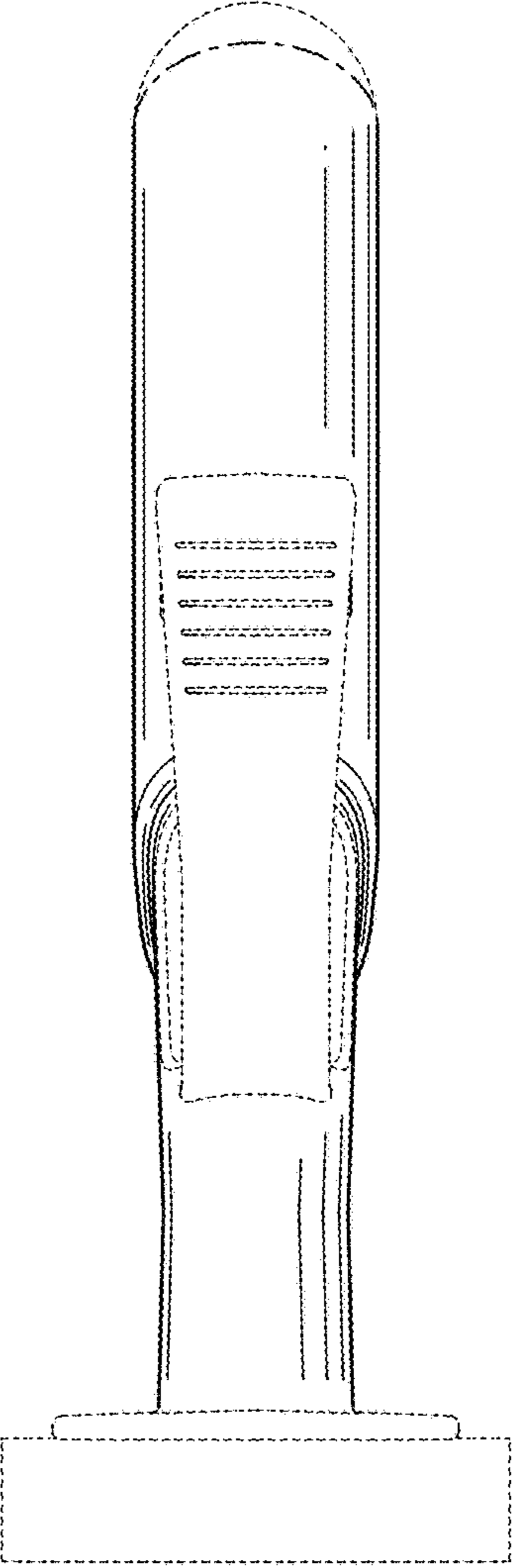


FIG. 3

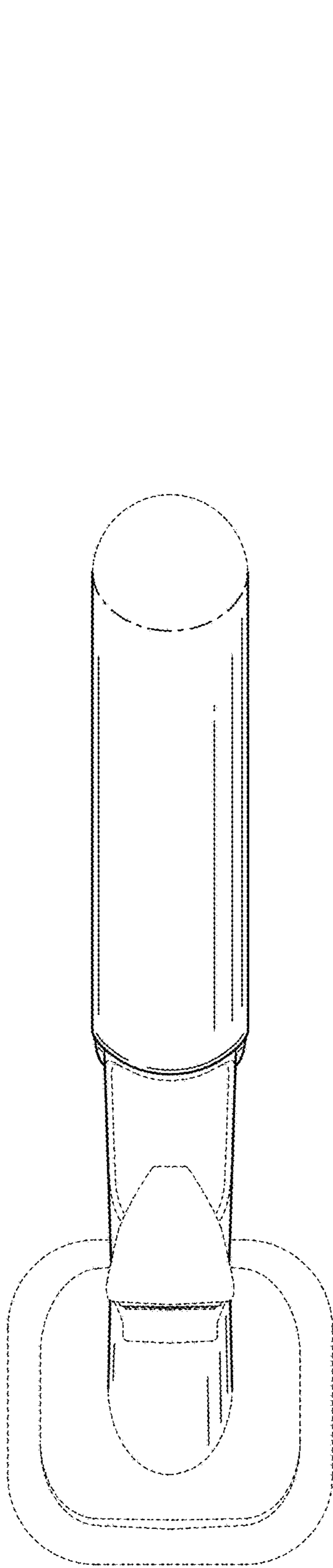


FIG. 5

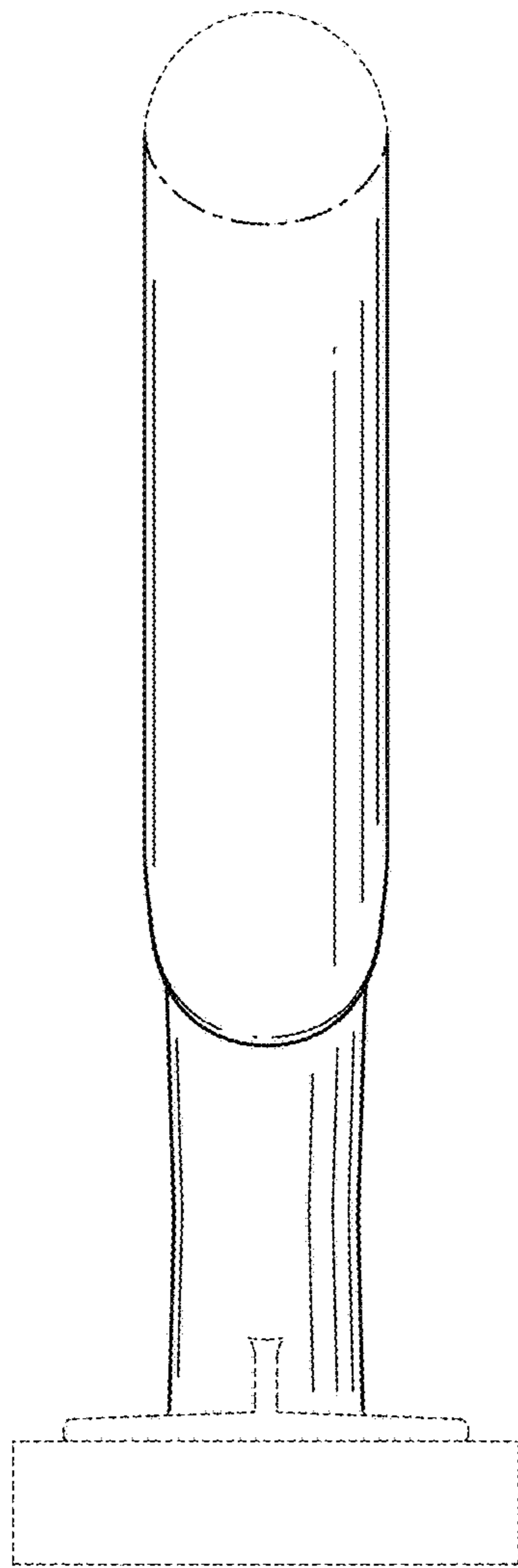


FIG. 4

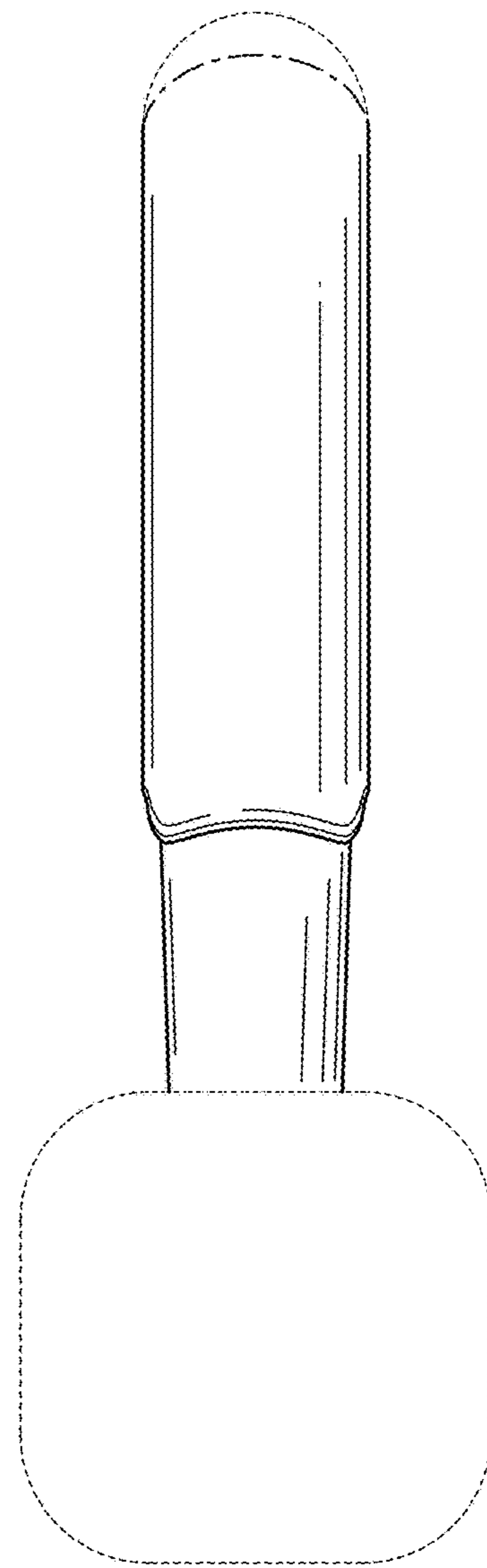


FIG. 6