



US00D789519S

(12) **United States Design Patent** (10) **Patent No.:** **US D789,519 S**
Ratjen et al. (45) **Date of Patent:** **** Jun. 13, 2017**

(54) **MEDICAMENT INJECTION DEVICE**

FOREIGN PATENT DOCUMENTS

(71) Applicants: **SANOFI**, Paris (FR); **REGENERON PHARMACEUTICALS, INC.**, Tarrytown, NY (US)

NO 2013/135566 9/2013

Primary Examiner — David Muller
Assistant Examiner — Nathan Johnston

(72) Inventors: **Jochen Ratjen**, Nacka (SE); **Katja Wessel**, Stockholm (SE)

(74) *Attorney, Agent, or Firm* — McDonnell Boehnen Hulbert & Berghoff LLP

(73) Assignee: **SANOFI**, Paris (FR)

(57) **CLAIM**

(**) Term: **15 Years**

The ornamental design for a medicament injection device, as shown and described.

(21) Appl. No.: **29/582,552**

(22) Filed: **Oct. 28, 2016**

DESCRIPTION

Related U.S. Application Data

(60) Division of application No. 29/501,280, filed on Sep. 3, 2014, now Pat. No. Des. 782,033, which is a continuation-in-part of application No. 29/483,790, filed on Mar. 3, 2014, now Pat. No. Des. 739,932.

The file of this patent contains at least one drawing executed in color. Copies of this patent with color drawings will be provided by the Office upon request and payment of the necessary fee.

(51) **LOC (10) Cl.** **24-02**

FIG. 1 is a perspective view of the injection device viewed from the front and right of and above the injection device;

(52) **U.S. Cl.**
USPC **D24/112**

FIG. 2 is a bottom plan view thereof;

(58) **Field of Classification Search**
USPC D24/112–114, 133, 186, 104, 130, 127;
606/181, 185; 604/264, 272, 115, 232,
604/187, 158, 164.08, 192, 263, 163, 181,
604/184, 198, 227
CPC A61M 5/2033; A61M 5/3204; A61M
2005/208; A61M 2005/206; A61M
2005/2418

FIG. 3 is a top plan view thereof;

FIG. 4 is a perspective view of a second embodiment of the injection device viewed from the front and right of and above the injection device;

See application file for complete search history.

FIG. 5 is a bottom plan view thereof;

FIG. 6 is a top plan view thereof;

FIG. 7 is a perspective view of a third embodiment of the injection device viewed from the front and right of and above the injection device;

FIG. 8 is a bottom plan view thereof; and,

FIG. 9 is a top plan view thereof.

(56) **References Cited**

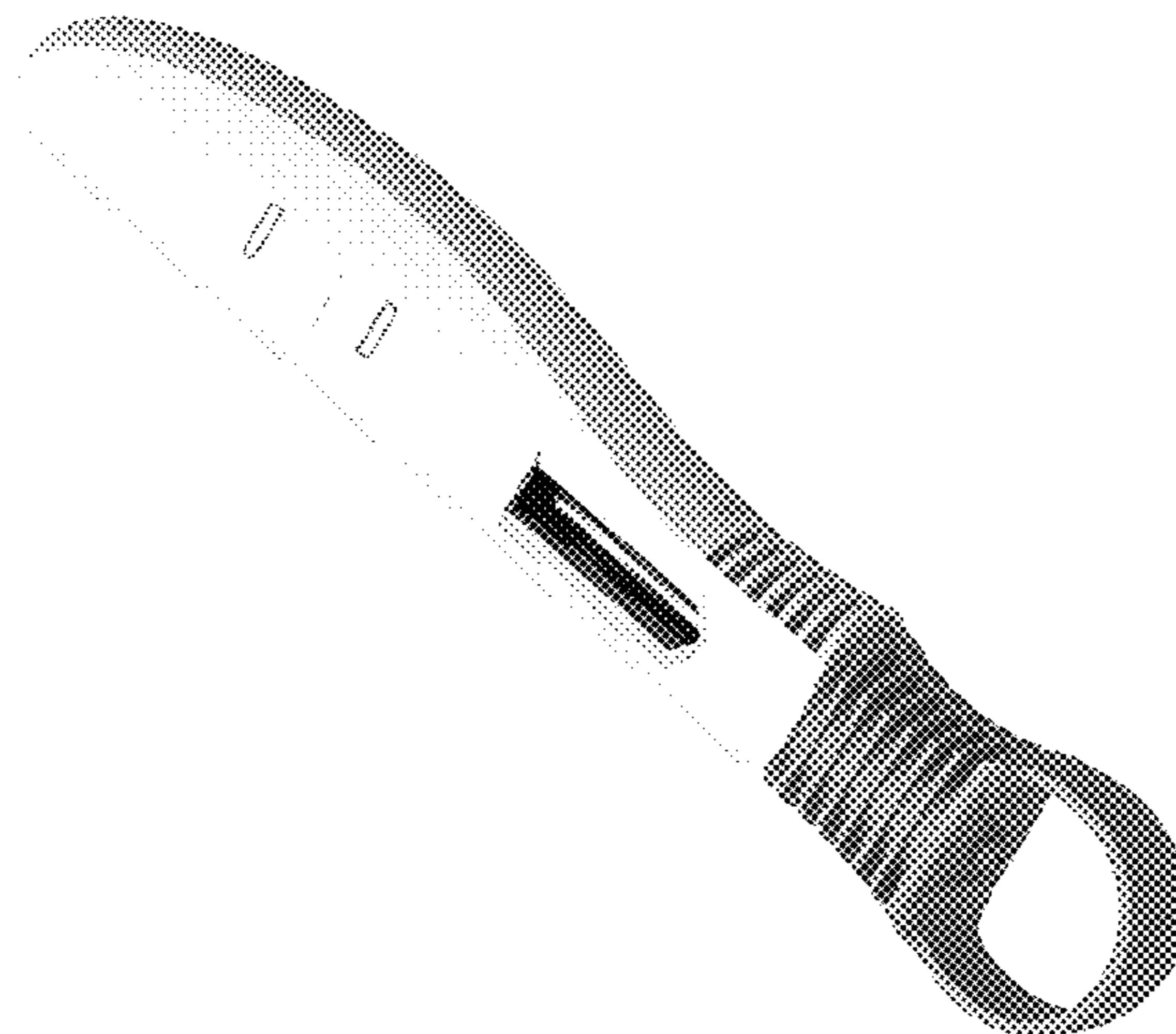
The broken lines shown in the figures are for the purpose of illustrating portions of the article and forms no part of the claimed design. The broken line, which defines the bounds of the claimed invention, forms no part of the claimed design.

U.S. PATENT DOCUMENTS

4,636,202 A	1/1987	Lowin et al.
5,045,066 A	9/1991	Scheuble et al.
5,501,670 A	3/1996	Sak
5,921,966 A	7/1999	Bendek et al.

(Continued)

1 Claim, 9 Drawing Sheets
(9 of 9 Drawing Sheet(s) Filed in Color)



(56)

References Cited

U.S. PATENT DOCUMENTS

D449,104 S	10/2001	Baker et al.					
RE37,439 E	11/2001	Firth et al.					
6,585,685 B2	7/2003	Staylor et al.					
6,585,698 B1 *	7/2003	Packman	A61M 5/24				
			604/207				
D484,244 S	12/2003	Starnes					
D531,308 S *	10/2006	Bendek	D24/114				
D545,439 S *	6/2007	Draudt	D24/186				
D551,295 S	9/2007	Chen					
D616,024 S *	5/2010	Siegel	D19/163				
D621,045 S	8/2010	Trissel et al.					
D628,632 S	12/2010	Liu					
8,057,433 B2	11/2011	Cuca et al.					
D652,516 S	1/2012	Sherwood et al.					
D660,419 S	5/2012	Morgan et al.					
D671,638 S	11/2012	Young et al.					
D677,380 S	3/2013	Julian et al.					
D677,785 S	3/2013	Stones et al.					
D692,559 S *	10/2013	Scheibel	D24/133				
D694,879 S	12/2013	Julian et al.					
8,652,100 B1 *	2/2014	Cowe	A61M 5/2033				
			604/117				
8,652,159 B2	2/2014	Trissel et al.					
8,740,860 B2 *	6/2014	Theucher	A61M 5/24				
			604/207				
D709,184 S *	7/2014	Lee-Sepsick	D24/112				
D726,902 S	4/2015	McLoughlin et al.					
D735,848 S	8/2015	Dubuc et al.					
D739,932 S	9/2015	Ratjen et al.					
D748,253 S	1/2016	Ratjen et al.					
D753,291 S	4/2016	Ratjen et al.					
D755,956 S *	5/2016	McLoughlin	D24/113				
D773,648 S *	12/2016	Wohlfahrt	D24/113				
D773,651 S *	12/2016	Chen	D24/113				
D774,641 S *	12/2016	Miggels	D24/113				
D782,033 S *	3/2017	Ratjen	D24/112				
2014/0330203 A1	11/2014	McLoughlin et al.					
2015/0182691 A1	7/2015	McLoughlin et al.					

* cited by examiner

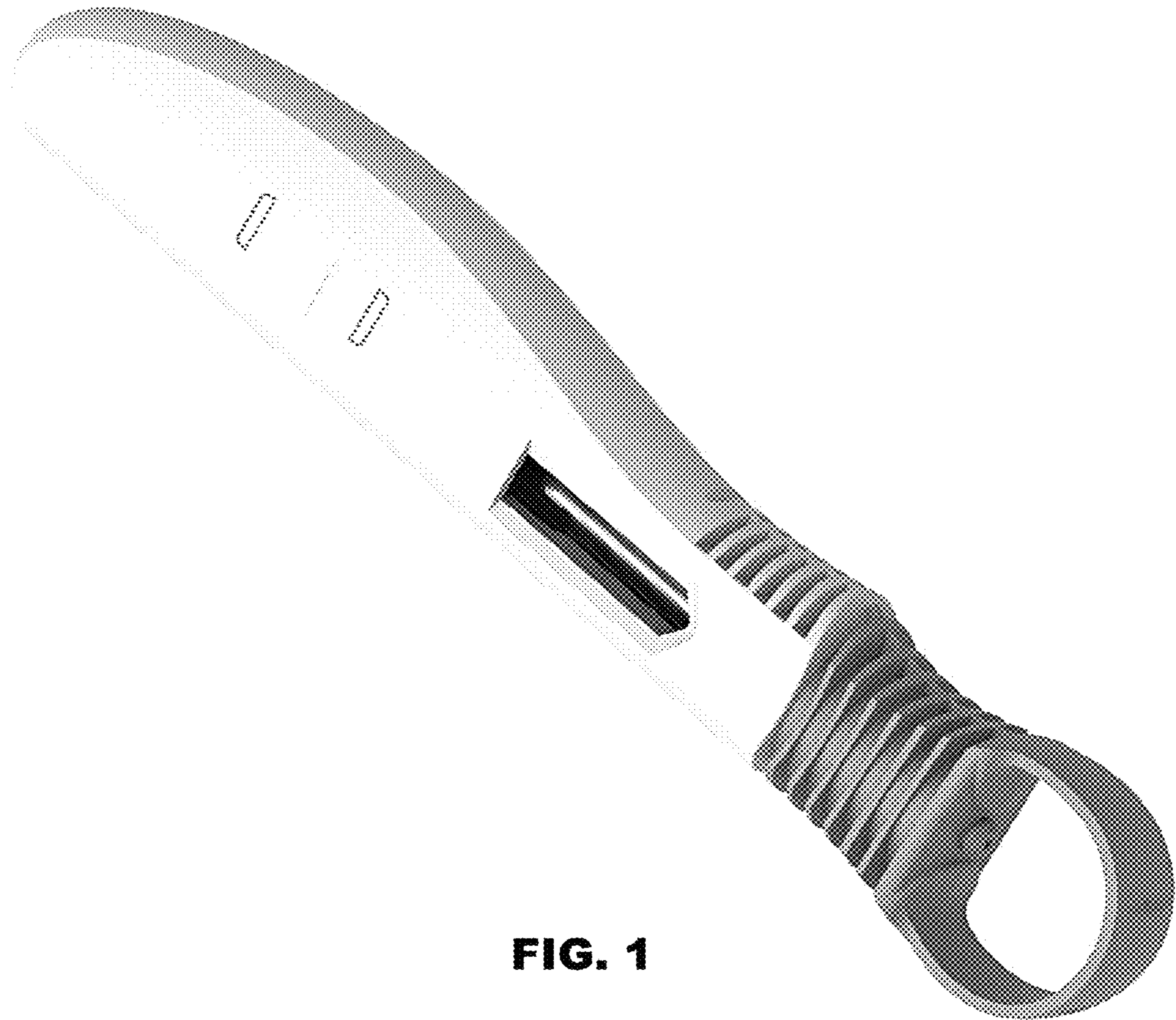


FIG. 1

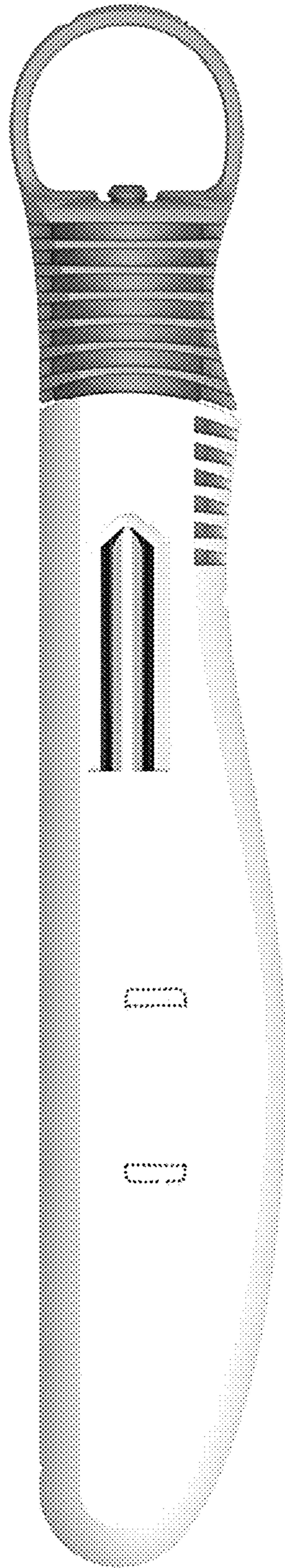


FIG. 2

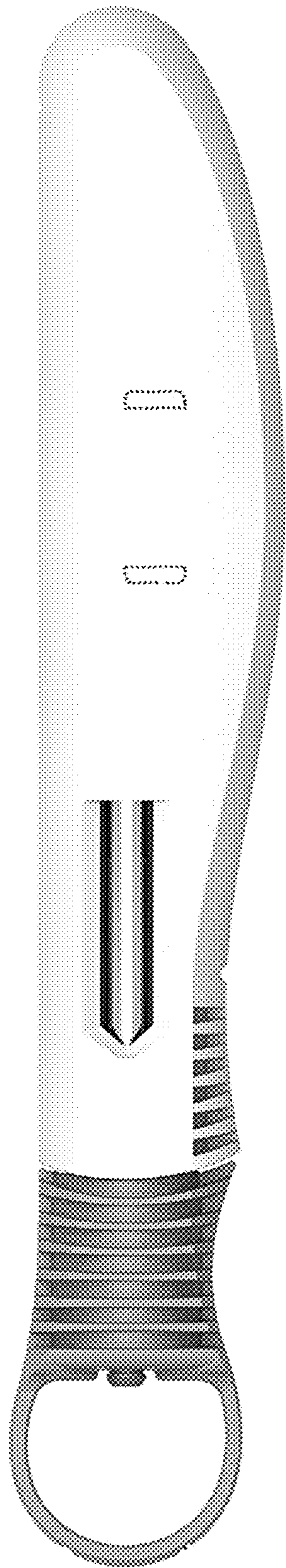


FIG. 3

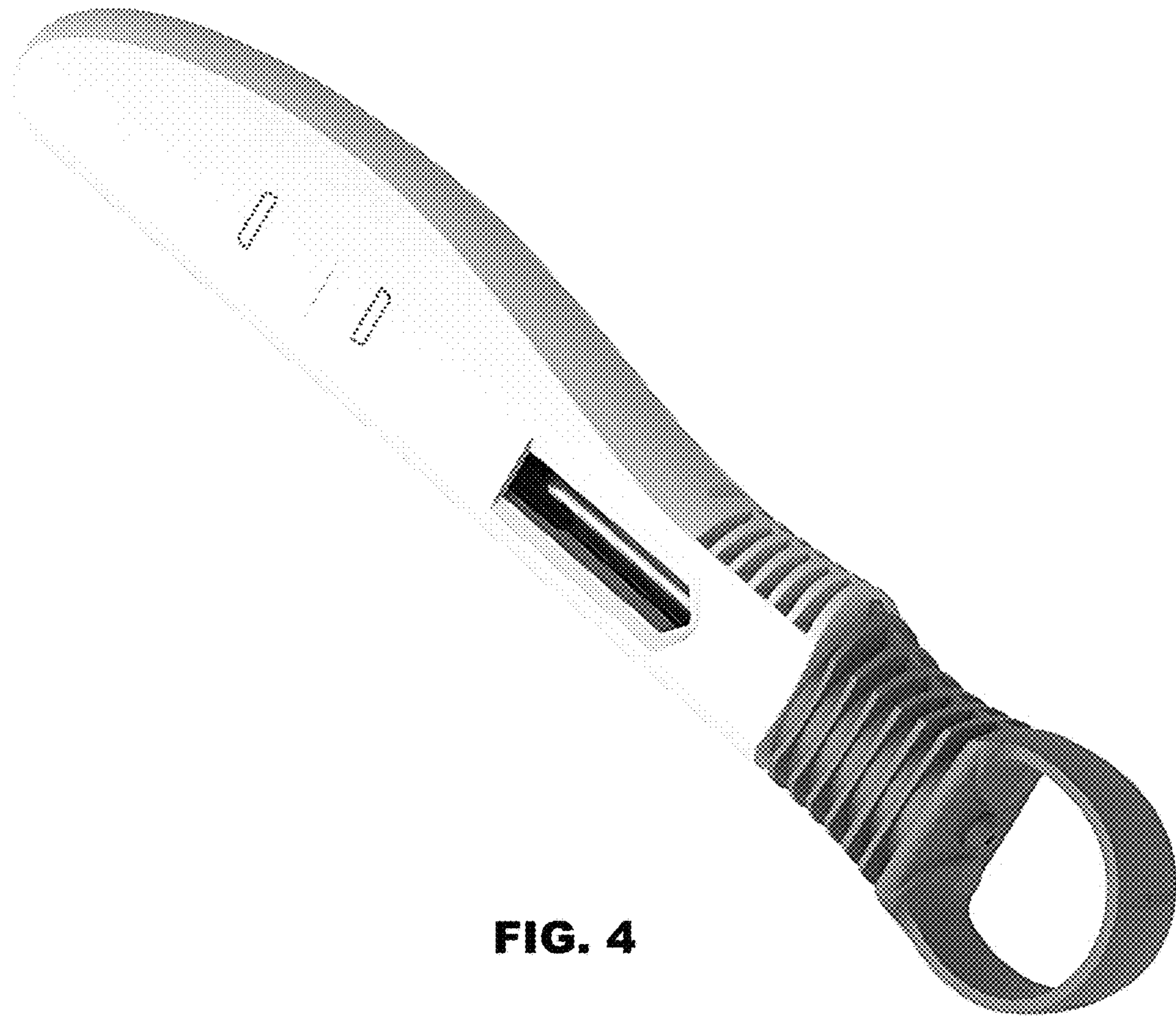


FIG. 4

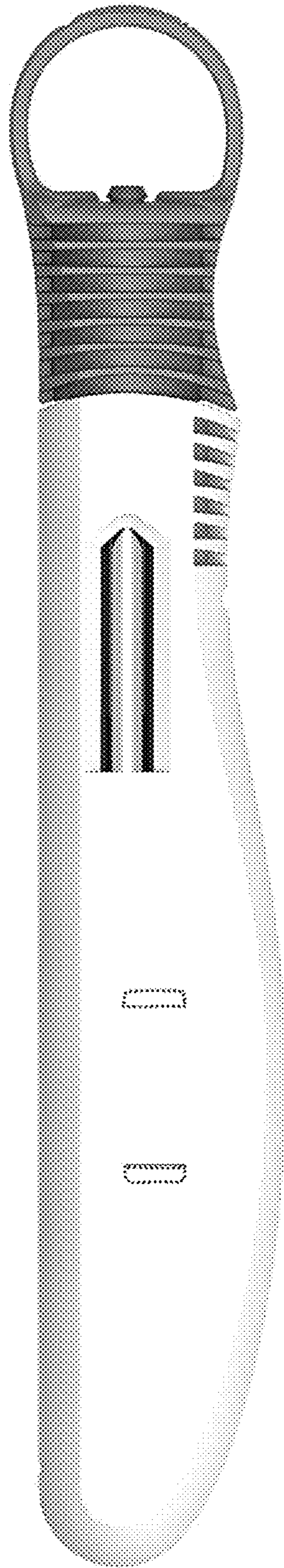


FIG. 5

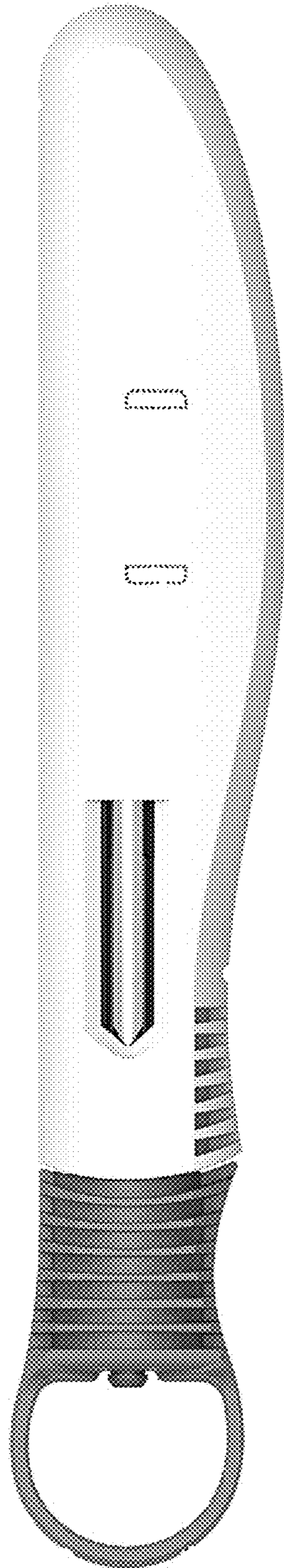


FIG. 6

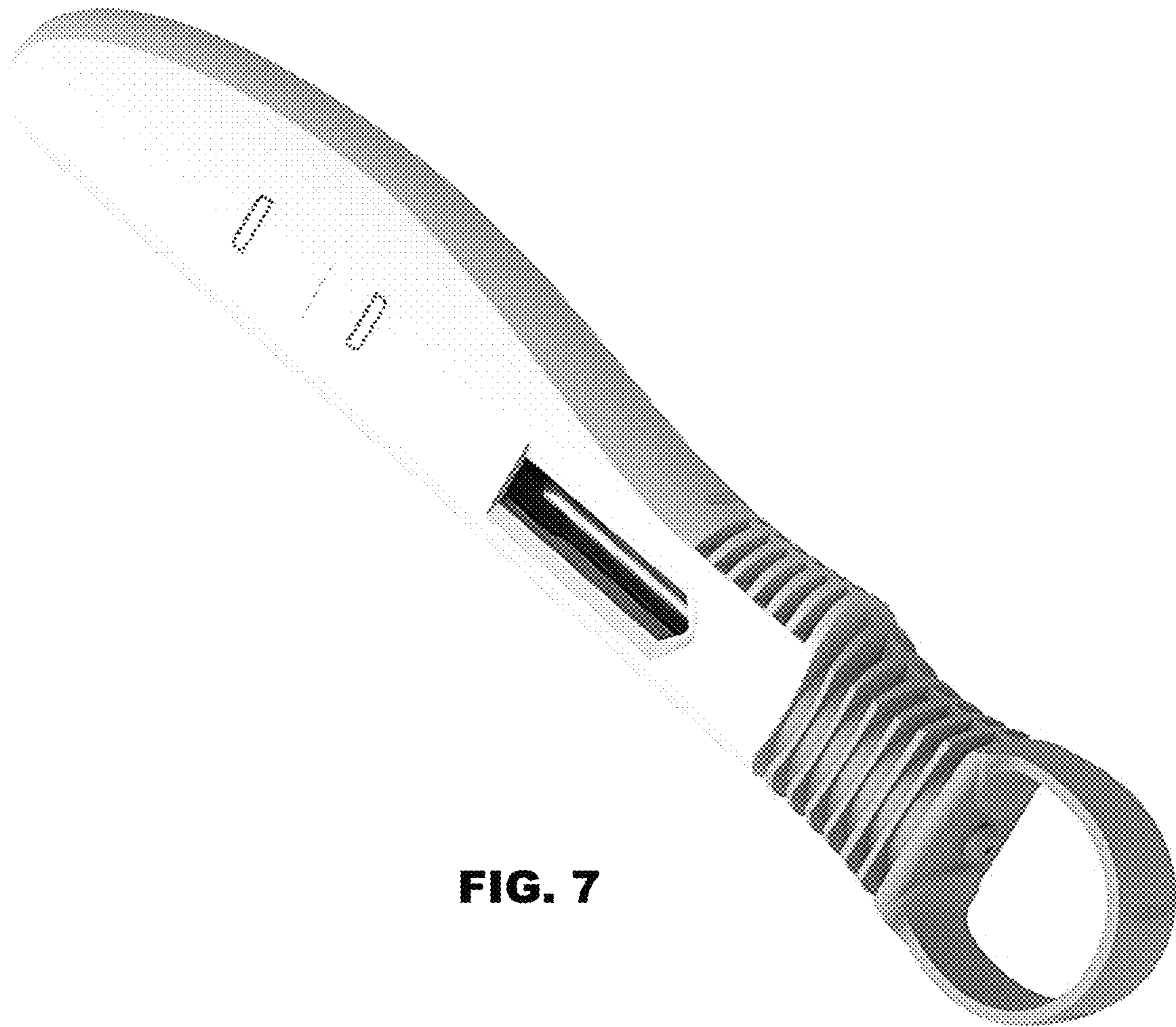


FIG. 7

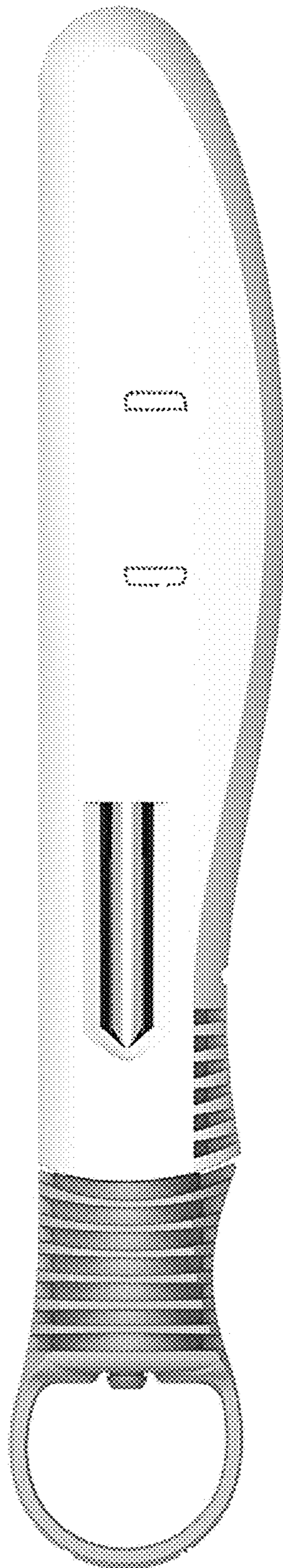


FIG. 8

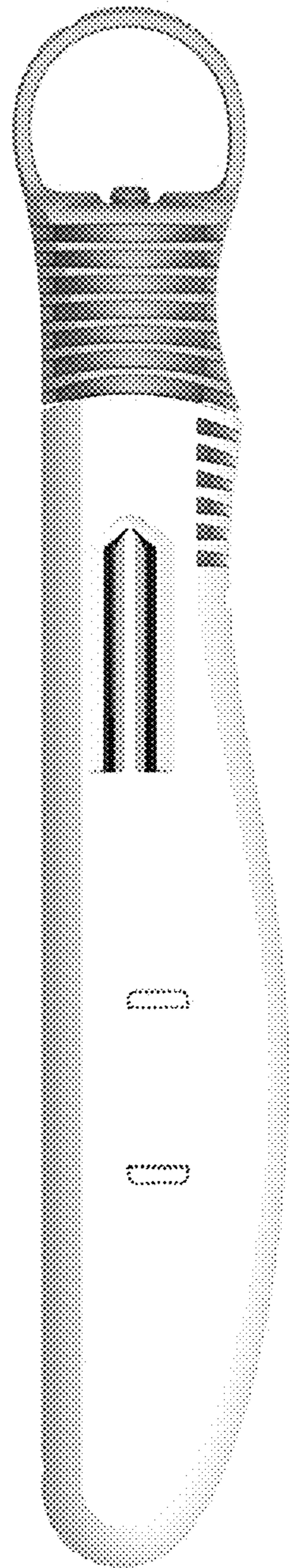


FIG. 9