



US00D789516S

(12) **United States Design Patent** (10) **Patent No.:** **US D789,516 S**
Gill et al. (45) **Date of Patent:** **** Jun. 13, 2017**

(54) **MEDICAL PUMP** 2012/0083760 A1* 4/2012 Ledford A61M 5/14
604/500
(71) Applicant: **DEKA Products Limited Partnership,** 2014/0046296 A1* 2/2014 Clarke A61M 5/1456
Manchester, NH (US) 604/507
2015/0018766 A1* 1/2015 Nakanishi A61M 5/14228
604/151
(72) Inventors: **Matthew R. Gill,** Cambridge, MA 2015/0151057 A1* 6/2015 Nakanishi A61M 5/162
(US); **Jesse T. Bodwell,** Manchester, 604/151
NH (US); **Thomas A. Friedrich,**
Loudon, NH (US) 2016/0228633 A1* 8/2016 Welsch A61M 5/142

FOREIGN PATENT DOCUMENTS

(73) Assignee: **DEKA Products Limited Partnership,** CN 201379850 Y * 1/2010 A61M 5/145
Manchester, NH (US) CN 201431672 Y * 3/2010 A61M 5/142
CN 201524307 U * 7/2010 A61M 5/142
(**) Term: **15 Years** WO WO 2016089572 A1 * 6/2016 A61M 5/1458
(21) Appl. No.: **29/569,460** WO WO 2016176042 A1 * 11/2016 A61M 5/142
WO WO 2016179389 A1 * 11/2016 A61M 5/142
(22) Filed: **Jun. 28, 2016** WO WO 2016205584 A1 * 12/2016 A61M 5/145

* cited by examiner

Related U.S. Application Data

(63) Continuation of application No. 29/477,249, filed on
Dec. 20, 2013, now Pat. No. Des. 760,888.
(51) **LOC (10) Cl.** **24-01**
(52) **U.S. Cl.**
USPC **D24/108; D24/111**
(58) **Field of Classification Search**
USPC D24/107, 108, 111, 185, 186
CPC A61M 5/14; A61M 5/142; A61M
2005/14268; A61M 5/172
See application file for complete search history.

Primary Examiner — Barbara Fox
Assistant Examiner — Lilyana Bekic
(74) *Attorney, Agent, or Firm* — James D. Wyninegar, Jr.

(57) **CLAIM**

The ornamental design for a medical pump, as shown and described.

DESCRIPTION

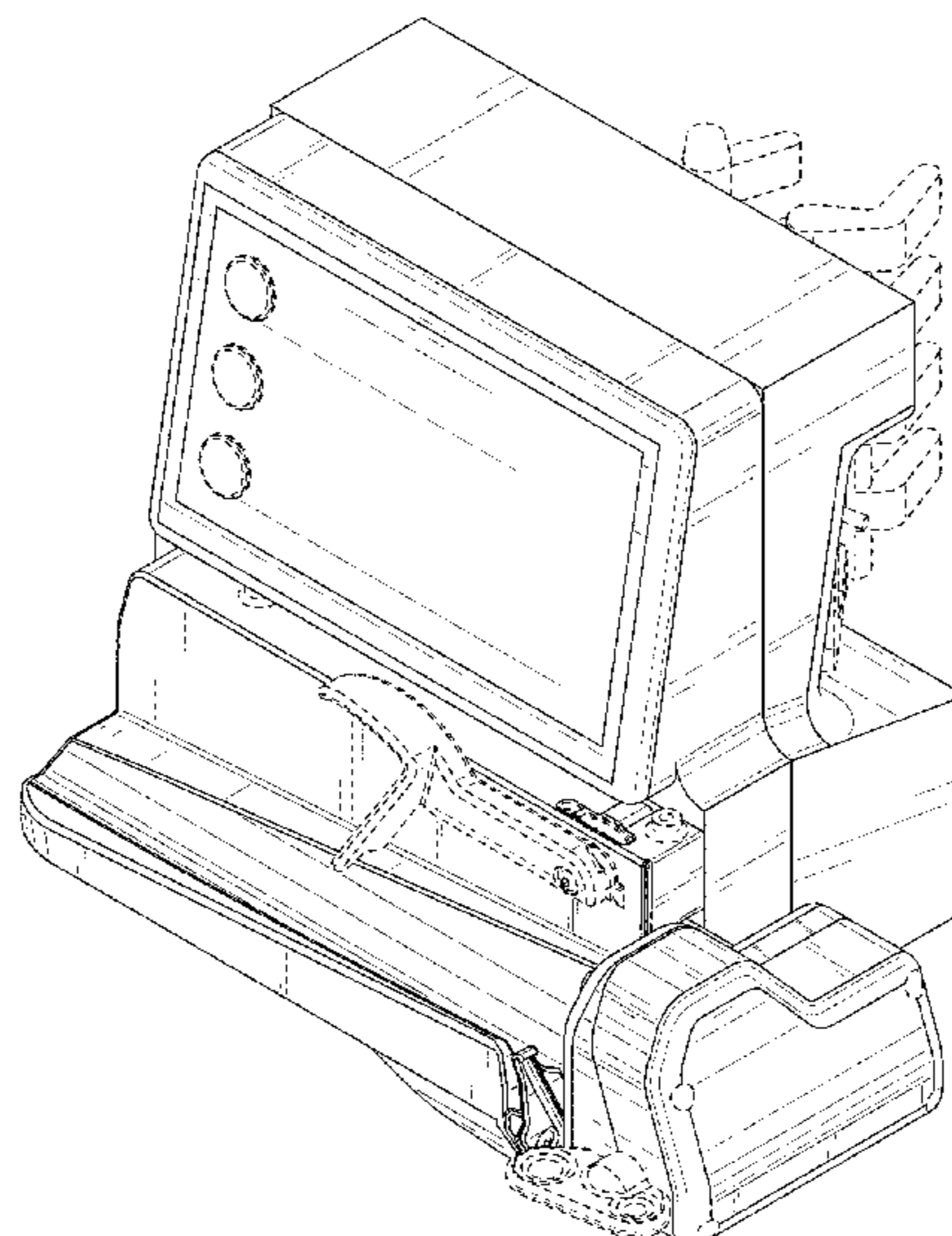
FIG. 1 is a front, top, and right side perspective view of the medical pump, showing the new design; FIG. 2 is a front side elevational view thereof; FIG. 3 is a rear side elevational view thereof; FIG. 4 is a left side elevational view thereof; FIG. 5 is a right side elevational view thereof; FIG. 6 is a top plan view thereof; and, FIG. 7 is a bottom plan view thereof. The broken lines in the drawings illustrate portions of the medical pump which form no part of the claimed design.

(56) **References Cited**

U.S. PATENT DOCUMENTS

6,428,509 B1* 8/2002 Fielder A61M 5/1456
604/131
D669,096 S * 10/2012 Katsura D15/7
D679,379 S * 4/2013 Katsura D24/111
8,876,793 B2* 11/2014 Ledford A61M 5/14
604/513
D760,888 S * 7/2016 Gill D24/108
D765,832 S * 9/2016 Hochman D24/111

1 Claim, 7 Drawing Sheets



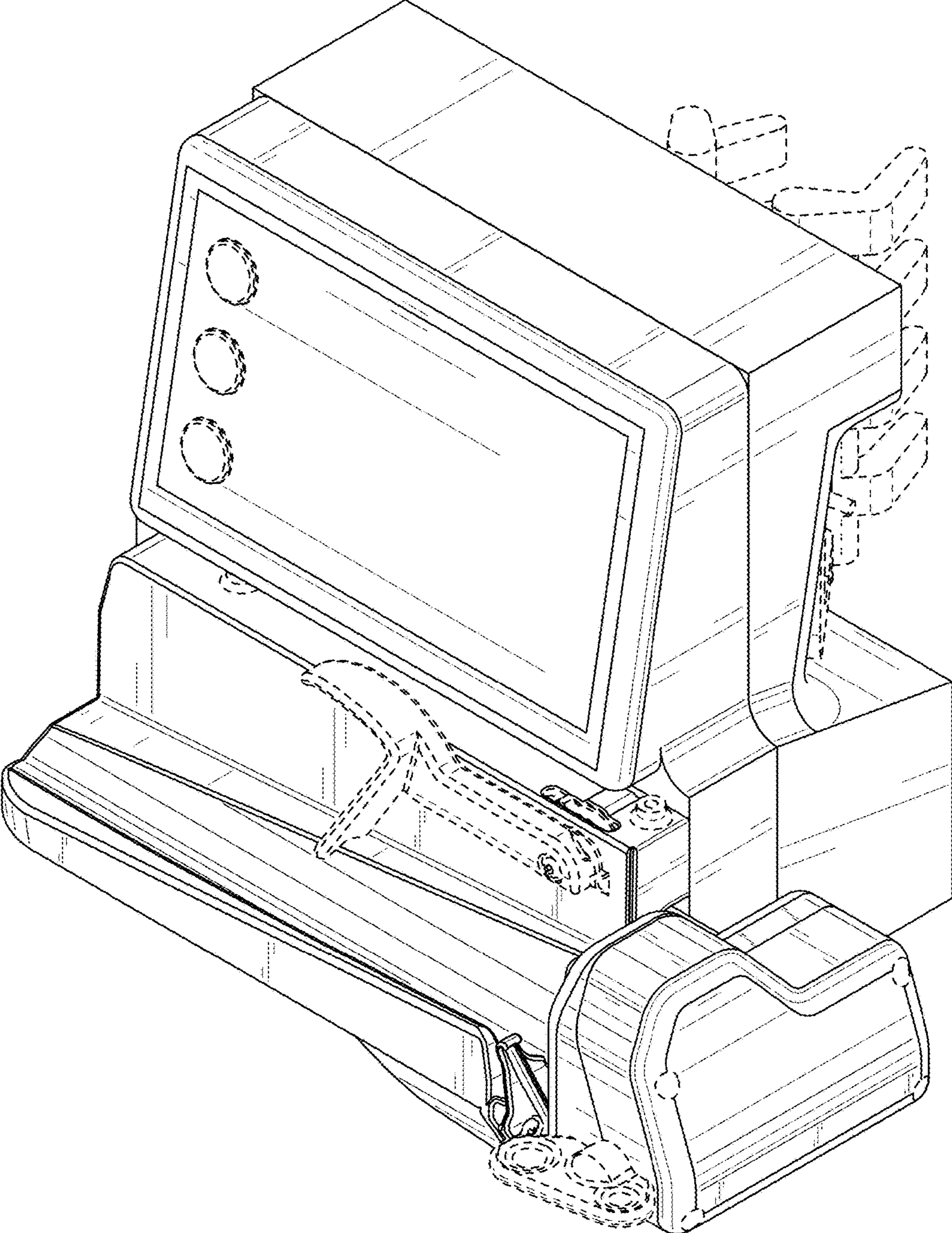


FIG. 1

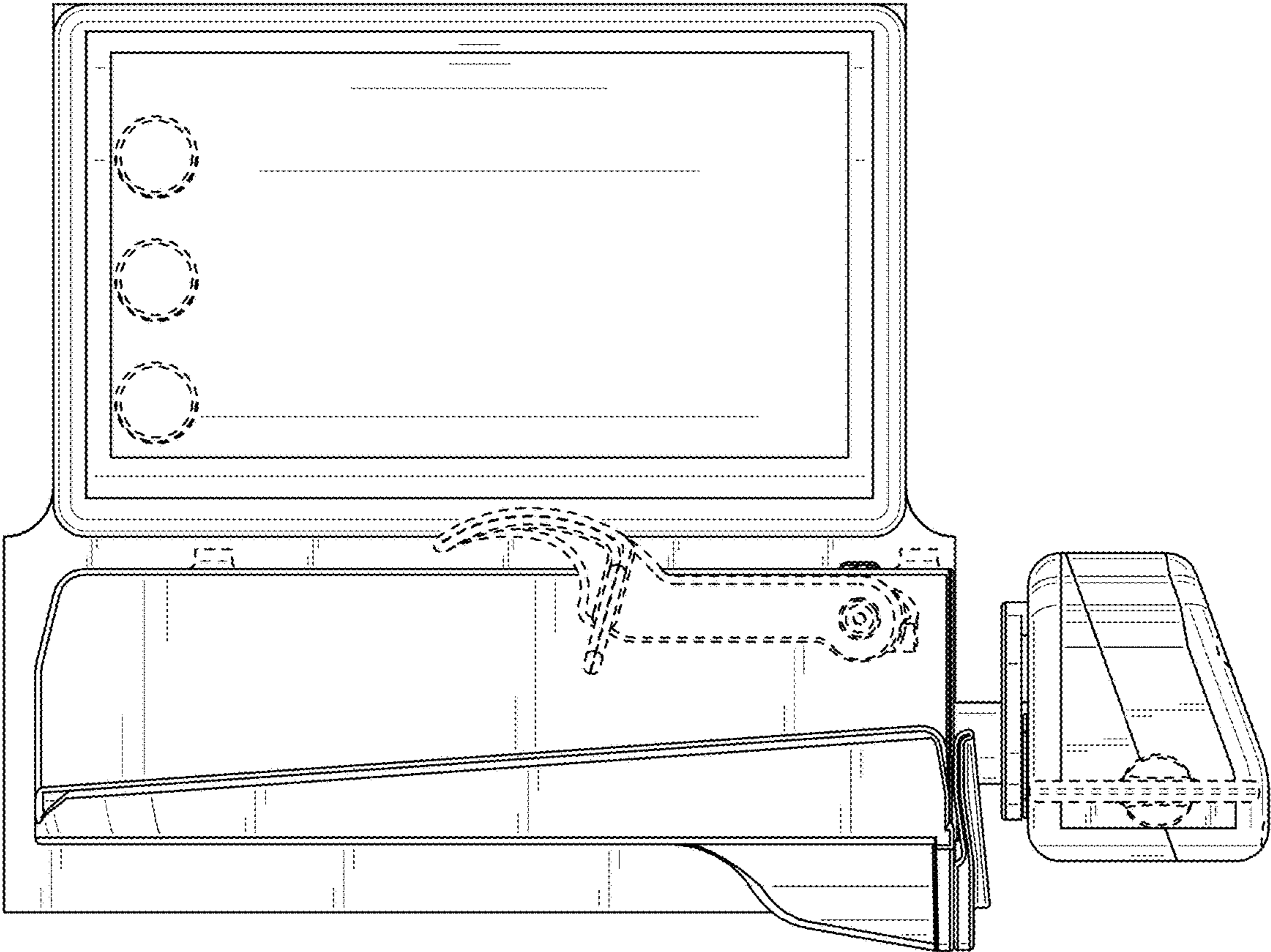


FIG. 2

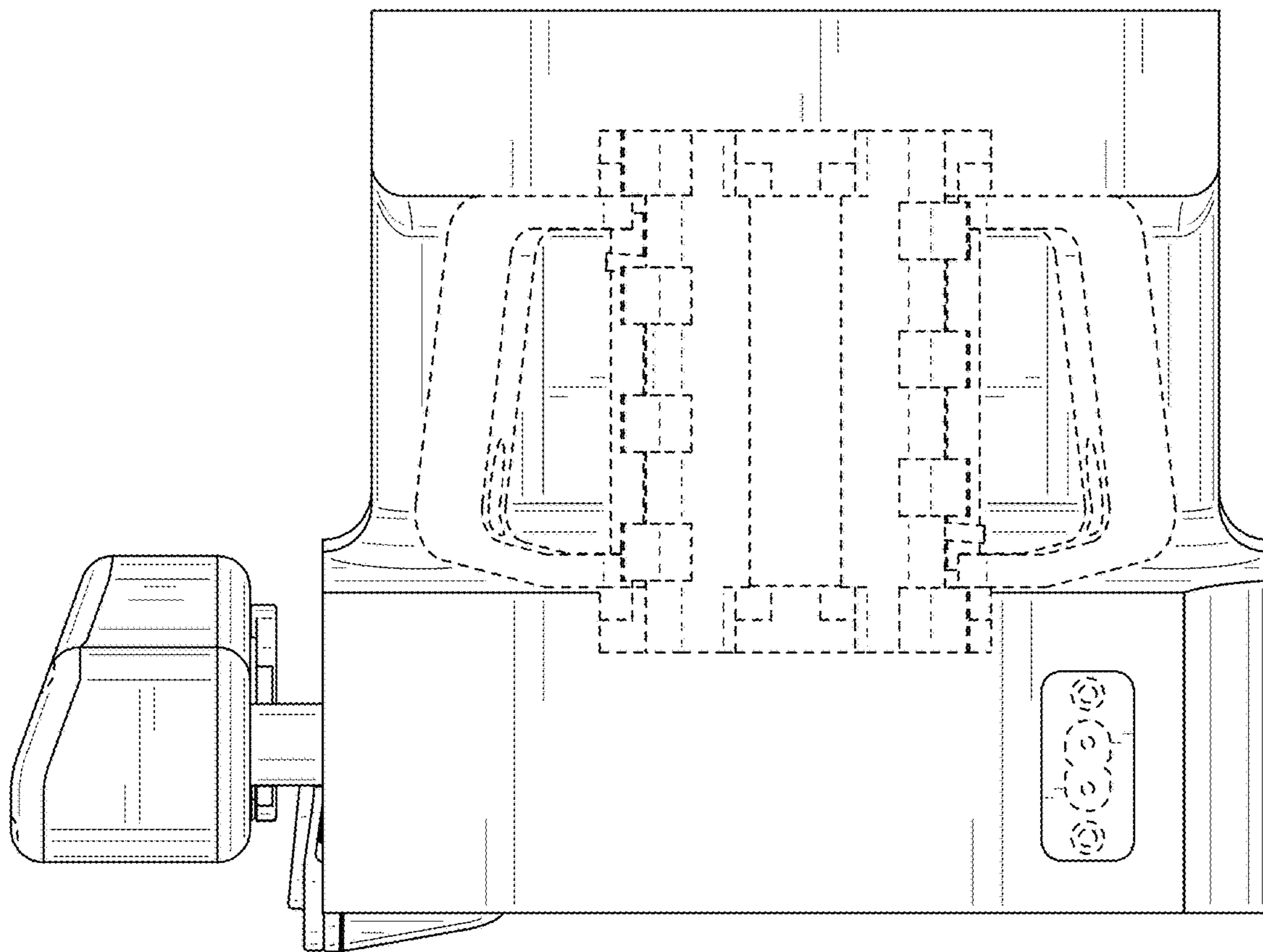


FIG. 3

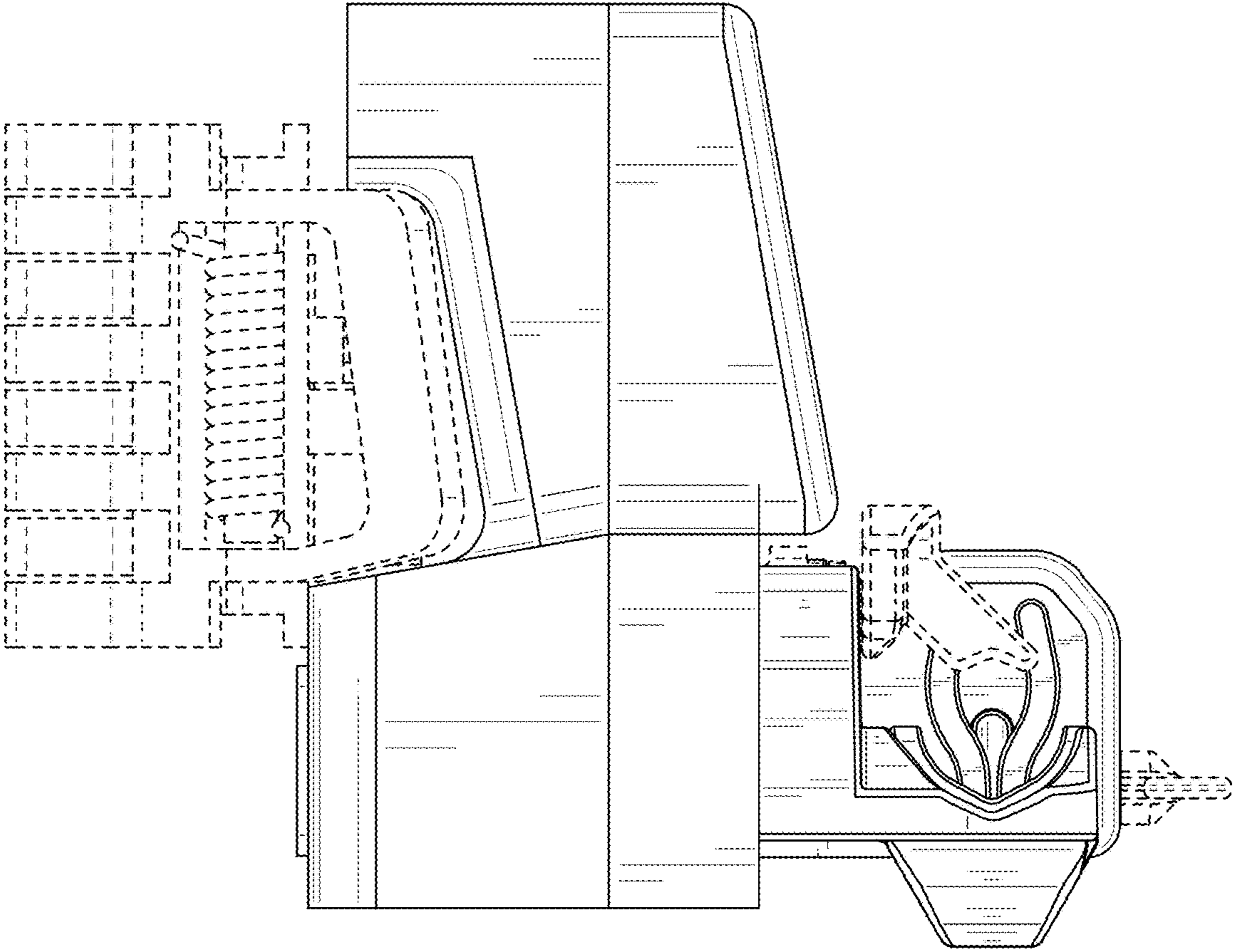


FIG. 4

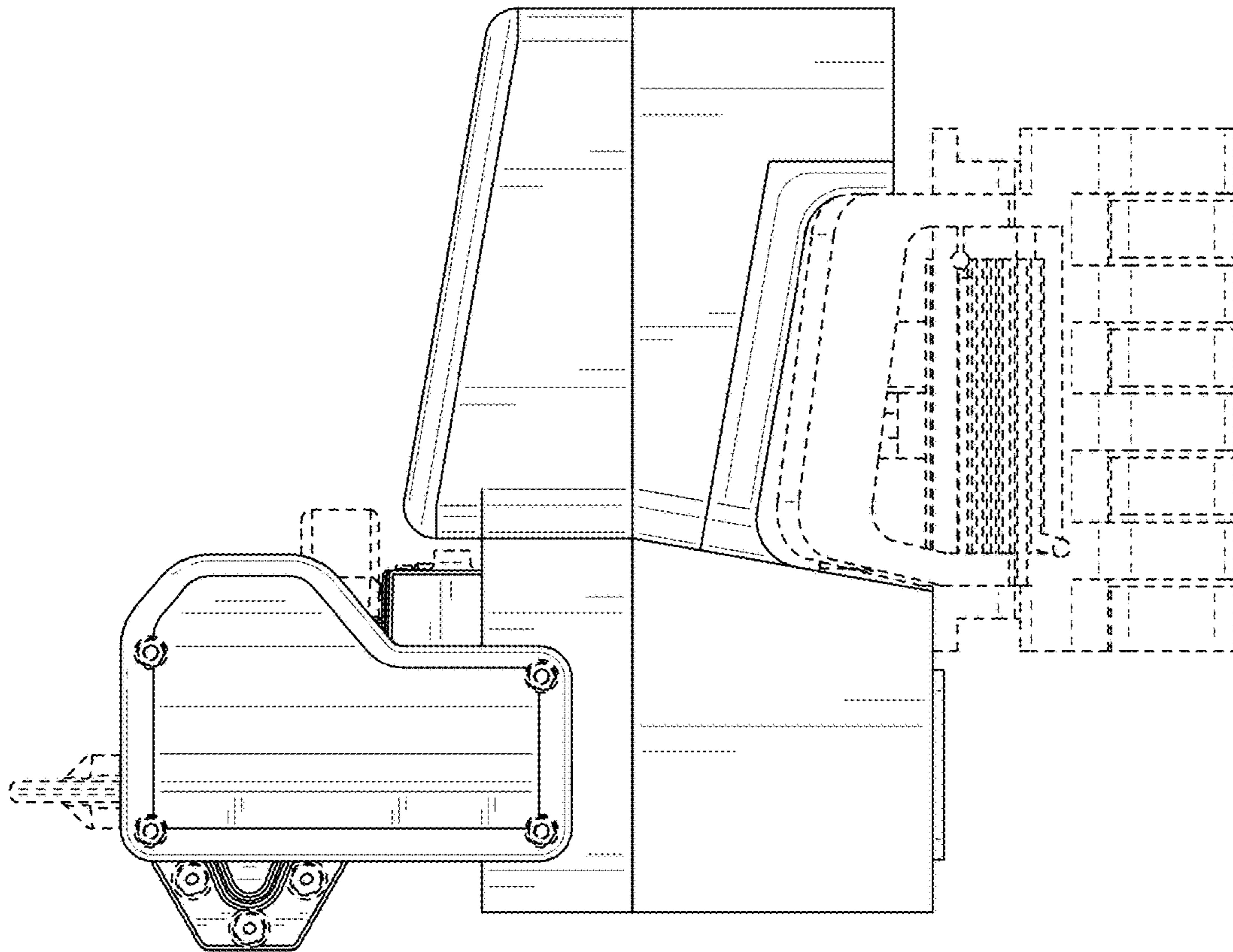


FIG. 5

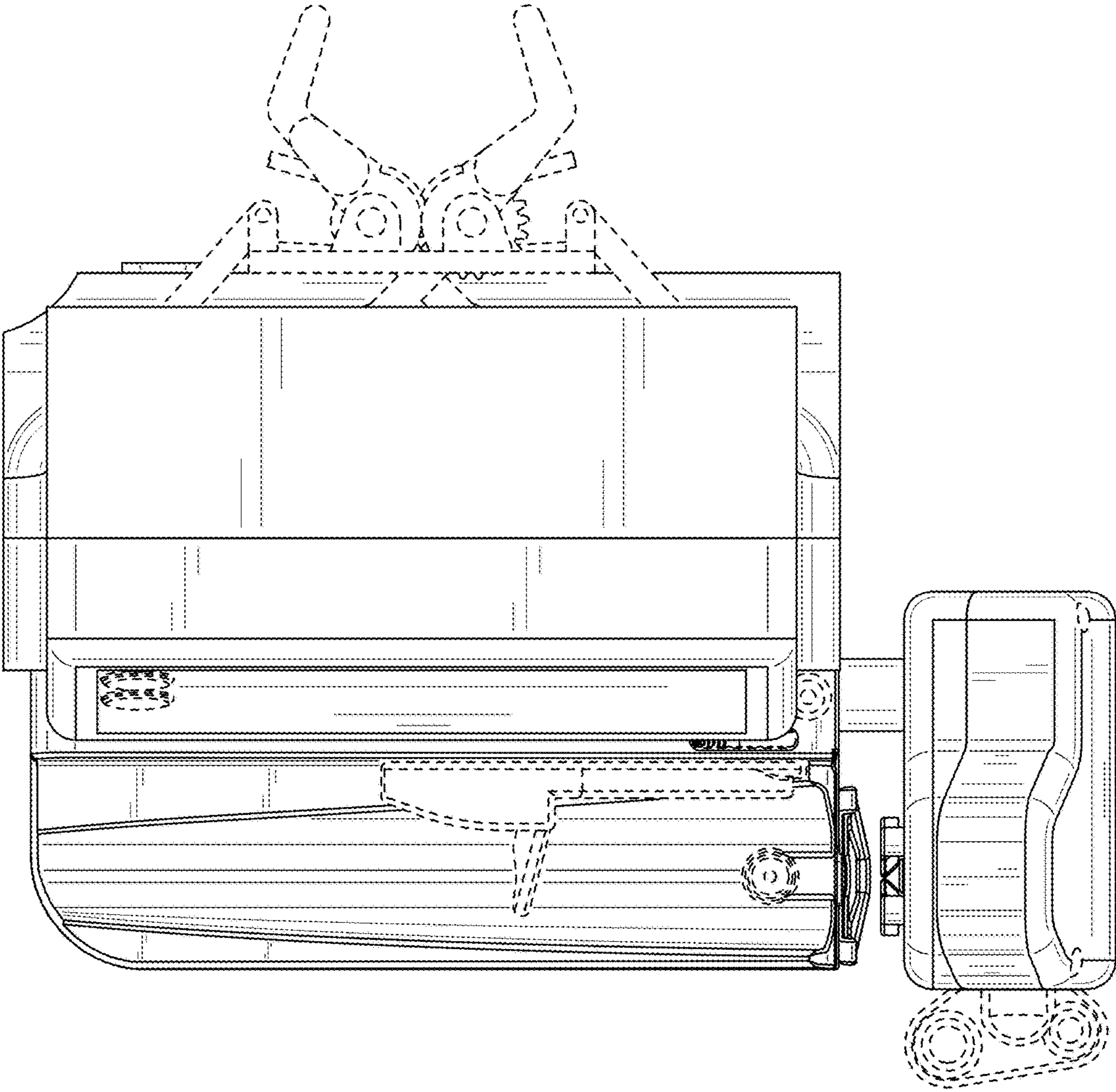


FIG. 6

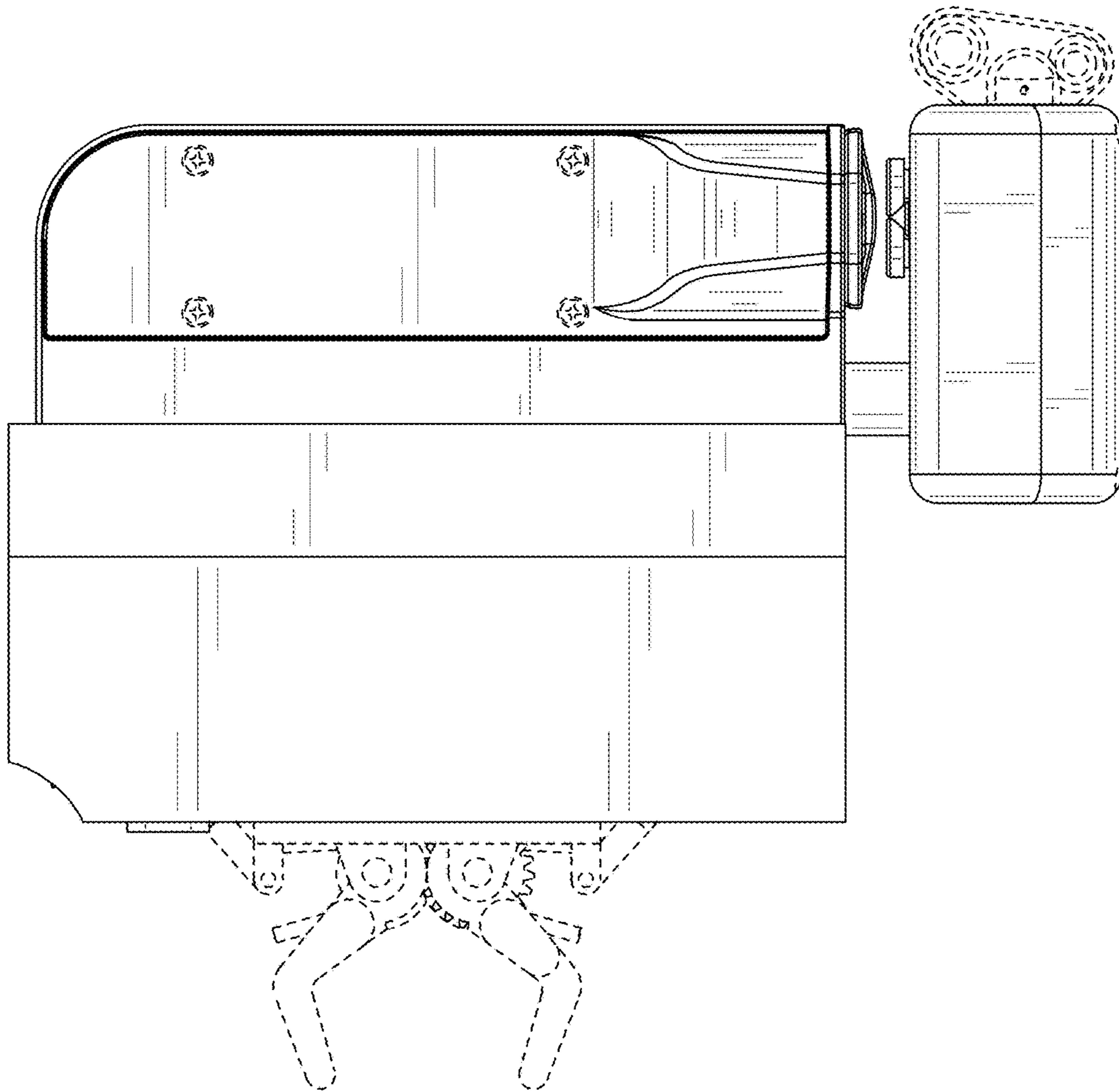


FIG. 7