



US00D789515S

(12) **United States Design Patent**
Salais, Sr.

(10) **Patent No.:** **US D789,515 S**

(45) **Date of Patent:** **** Jun. 13, 2017**

- (54) **EAR PLUG**
- (71) Applicant: **Michael Anthony Salais, Sr.**, Grover Beach, CA (US)
- (72) Inventor: **Michael Anthony Salais, Sr.**, Grover Beach, CA (US)
- (**) Term: **15 Years**
- (21) Appl. No.: **29/557,349**
- (22) Filed: **Mar. 8, 2016**
- (51) **LOC (10) Cl.** **24-04**
- (52) **U.S. Cl.**
USPC **D24/106**
- (58) **Field of Classification Search**
USPC D24/106, 115, 215, 173, 174; D14/205,
D14/206, 223; D7/597; D22/145, 146
CPC A61F 11/08; A61F 11/10; A61F 11/12;
A61F 2011/085
See application file for complete search history.

3,228,396	A *	1/1966	Potts	A61M 3/0262
					604/212
4,384,575	A *	5/1983	Asker	A61F 11/08
					128/865
D405,521	S *	2/1999	Leight	D24/104
6,595,317	B1 *	7/2003	Widmer	H04R 25/652
					181/129
D492,603	S *	7/2004	Rashid	D9/521
D557,606	S *	12/2007	Rashid	D9/500
D665,093	S *	8/2012	Sedic	D24/215
D728,785	S *	5/2015	Lee	D24/141
2014/0058288	A1 *	2/2014	Bartol	A61B 5/6867
					600/595

* cited by examiner

Primary Examiner — Richelle G Shelton

(74) *Attorney, Agent, or Firm* — Dunlap Bennett & Ludwig PLLC

(57) **CLAIM**

The ornamental design for an ear plug, as shown and described.

(56) **References Cited**

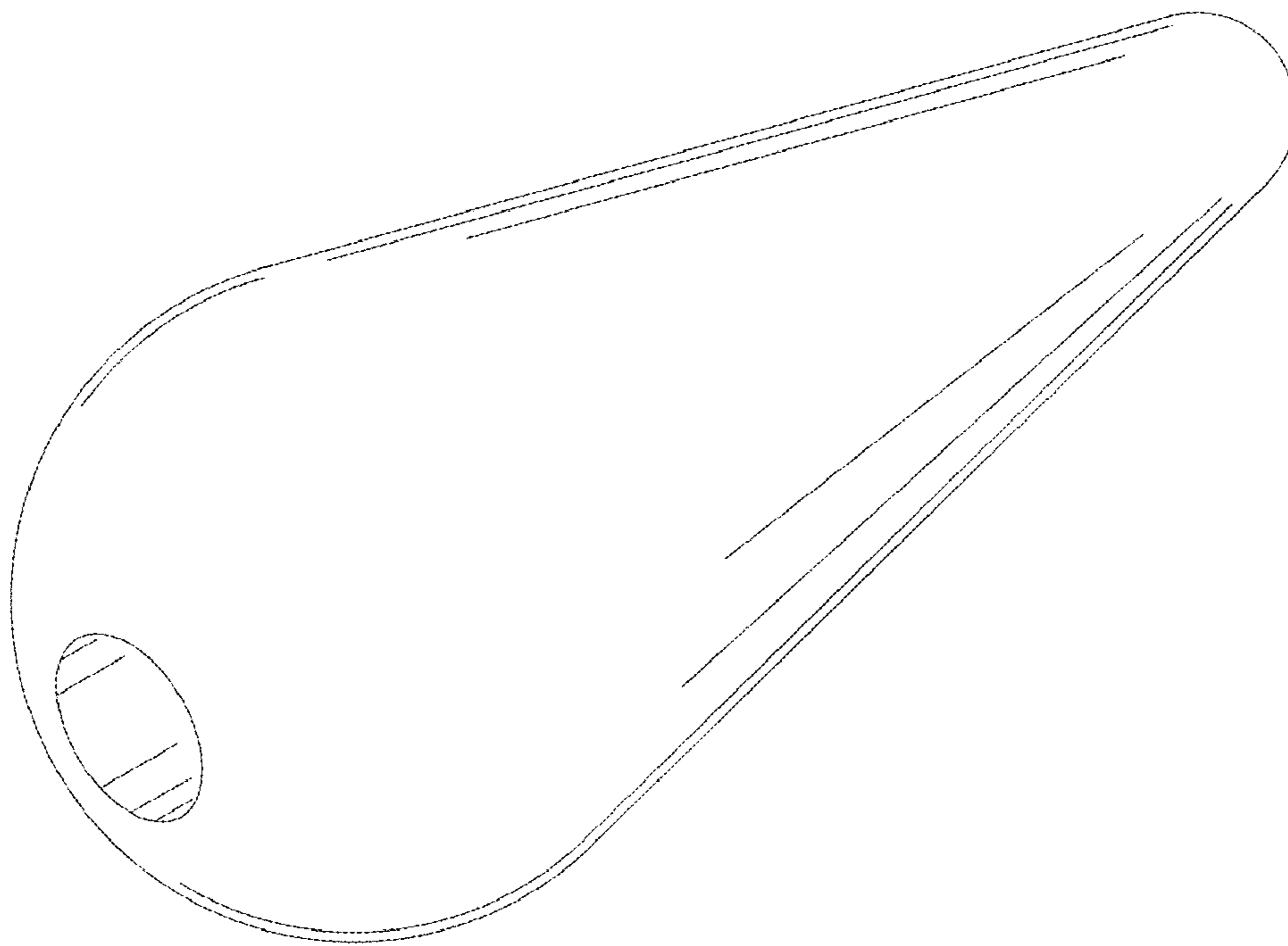
U.S. PATENT DOCUMENTS

1,437,284	A *	11/1922	Wagner	A01K 93/00
					43/17.5
1,755,754	A *	4/1930	Wappler	A61H 35/04
					604/37
2,272,802	A *	2/1942	High	A01K 93/02
					362/158
2,803,082	A *	8/1957	Claybrook	A01K 93/00
					43/43.14
2,803,083	A *	8/1957	Pelton	A01K 91/06
					43/43.11

DESCRIPTION

FIG. 1 is a front perspective view of an ear plug;
 FIG. 2 is a top plan view of FIG. 1, the bottom plan view being a mirror image thereof;
 FIG. 3 is right elevation view of FIG. 1, the left elevation view being a mirror image thereof;
 FIG. 4 is a front elevation view of FIG. 1;
 FIG. 5 is a rear elevation view of FIG. 1; and,
 FIG. 6 is a section view taken along line 6-6 in FIG. 4.

1 Claim, 3 Drawing Sheets



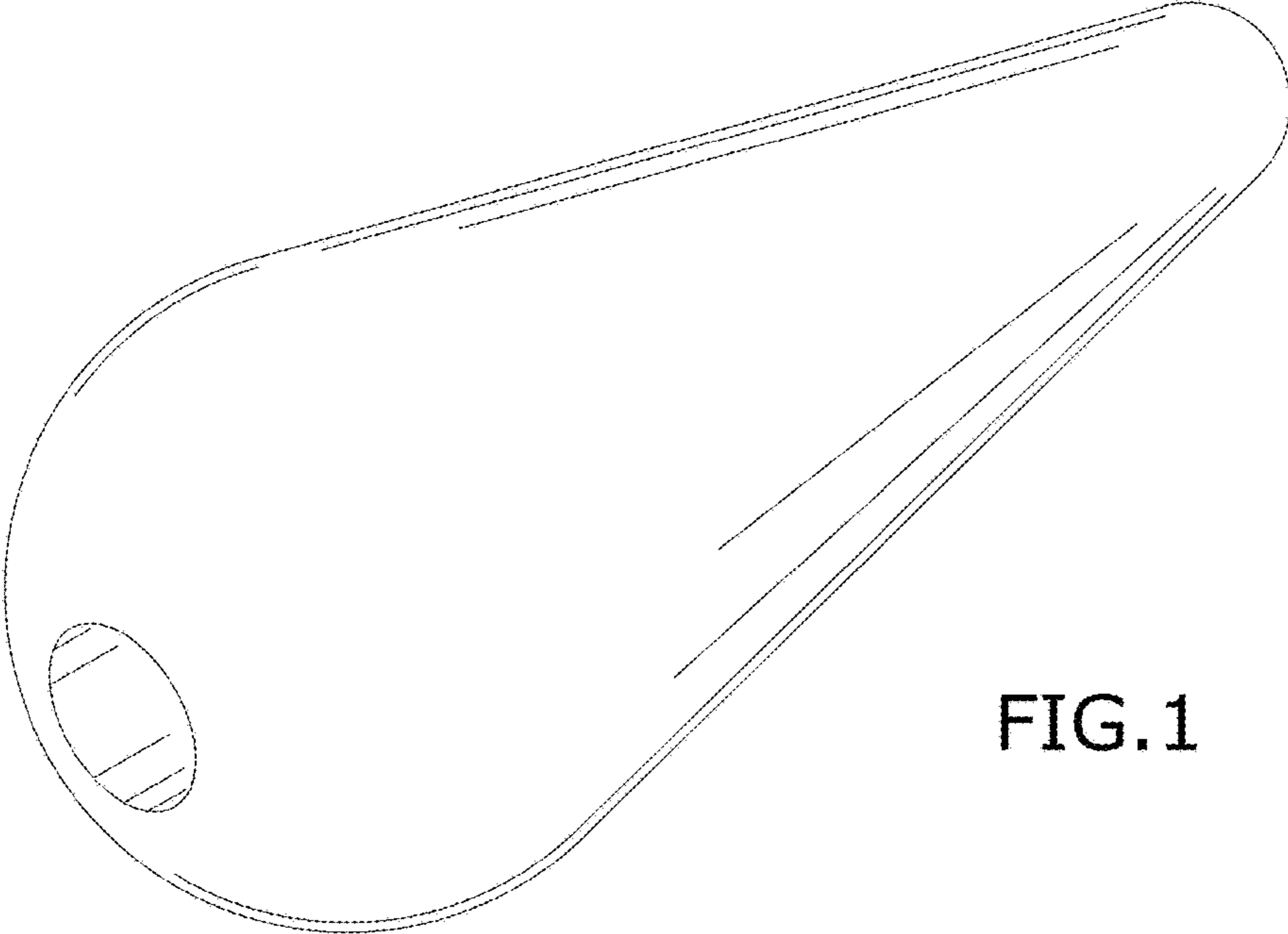


FIG. 1

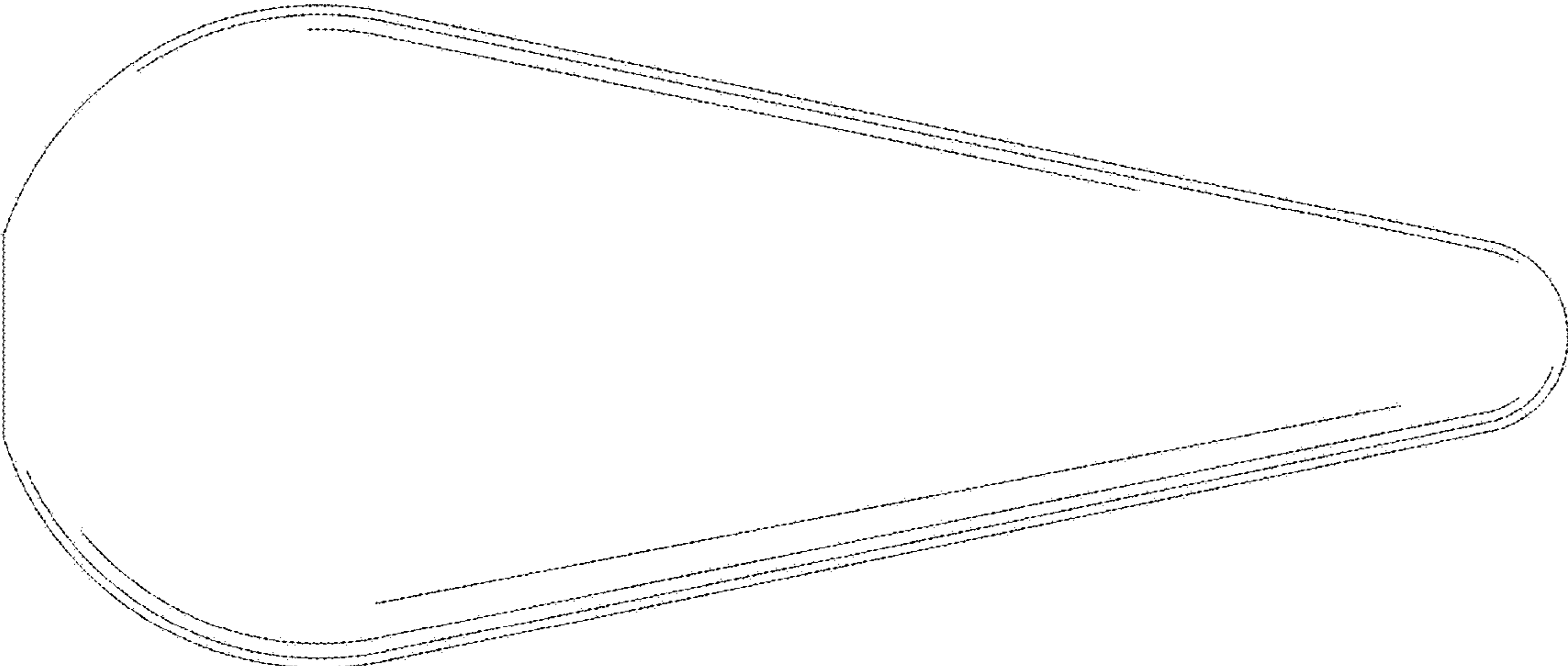


FIG. 2

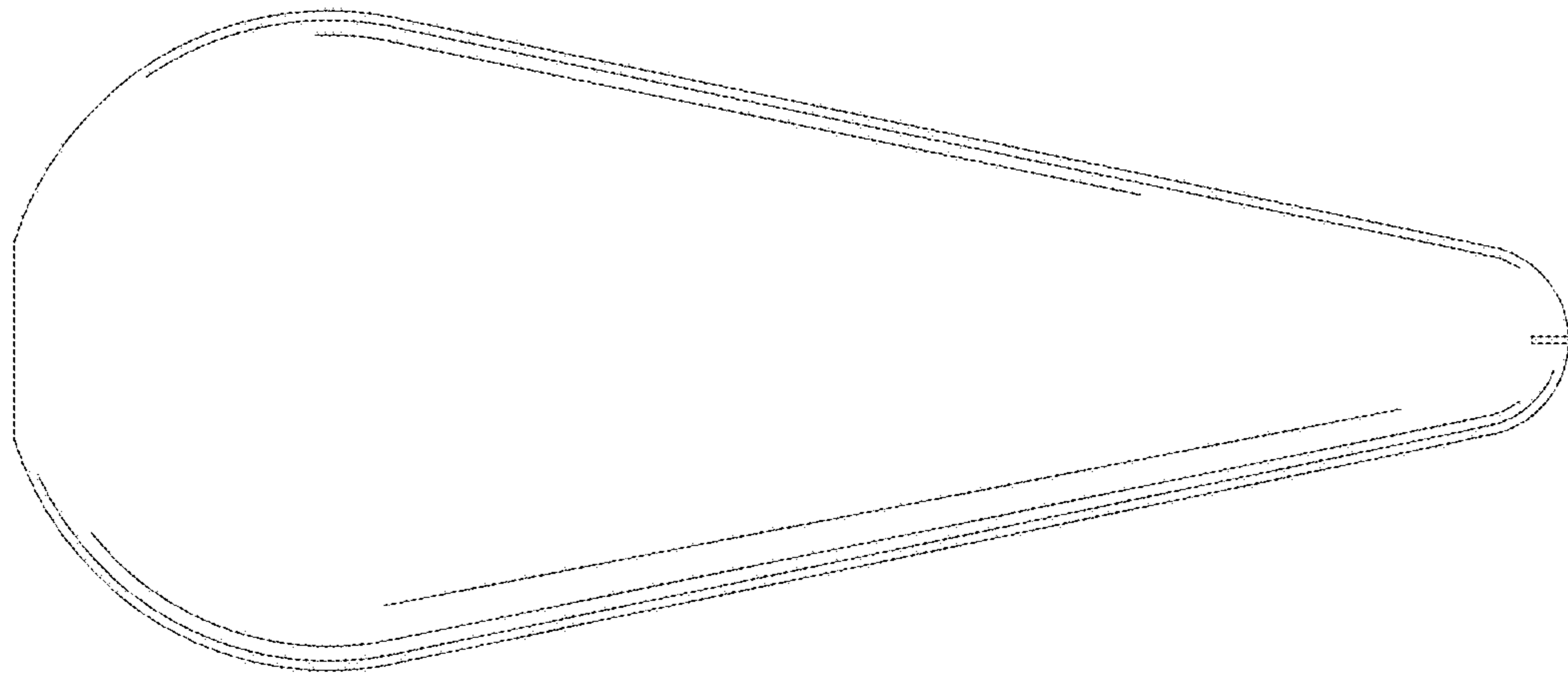
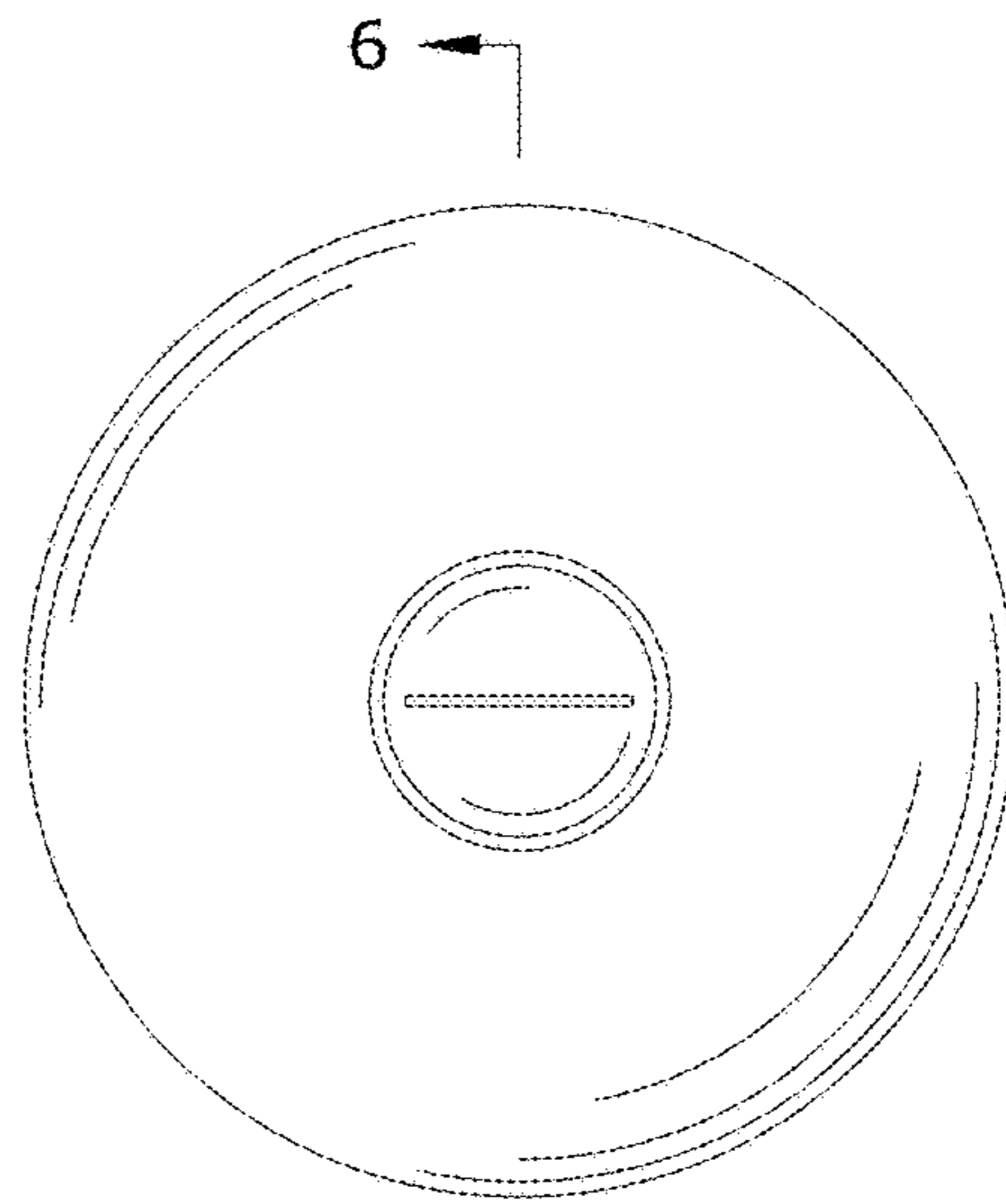


FIG.3



6

FIG.4

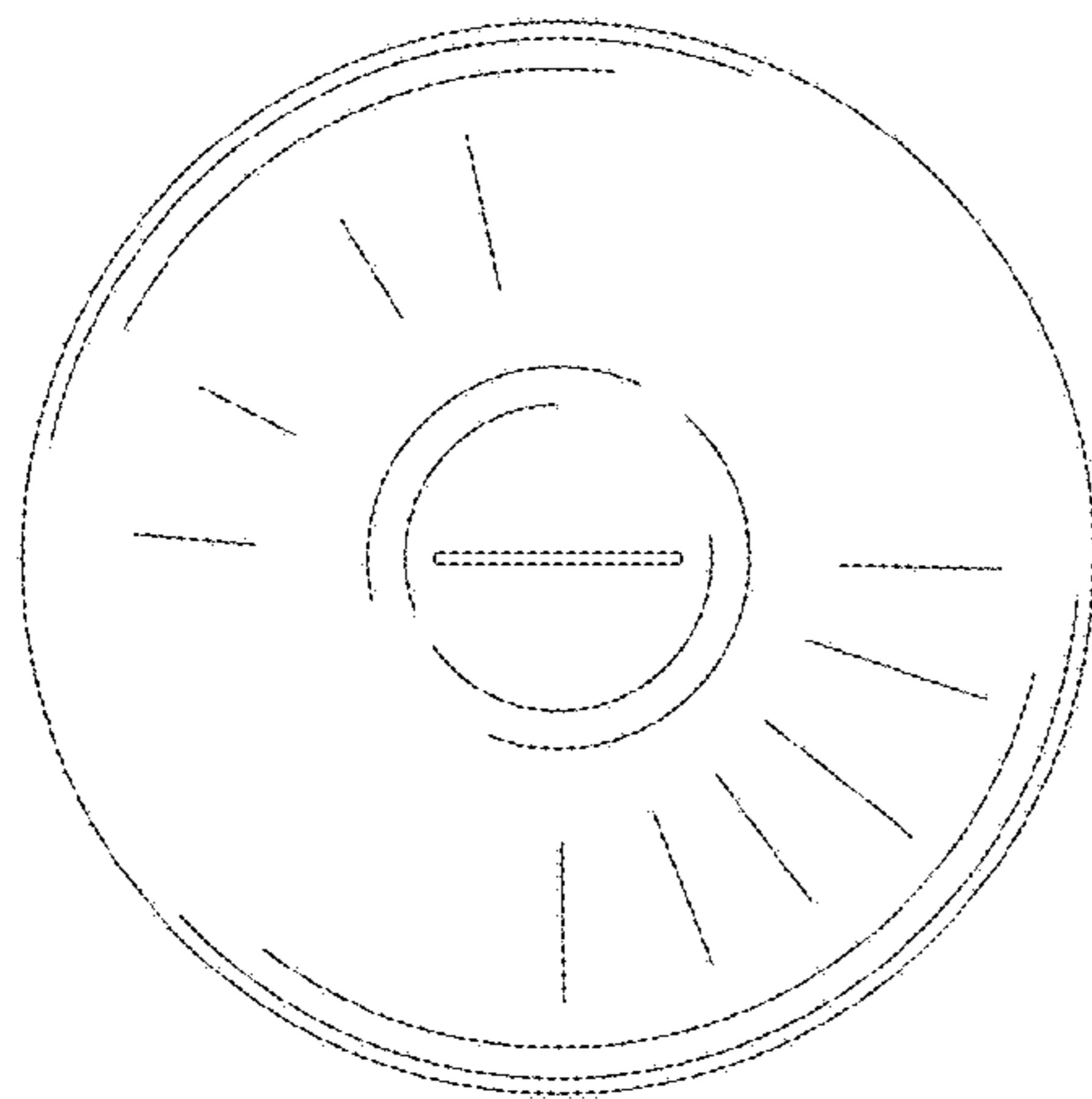


FIG.5

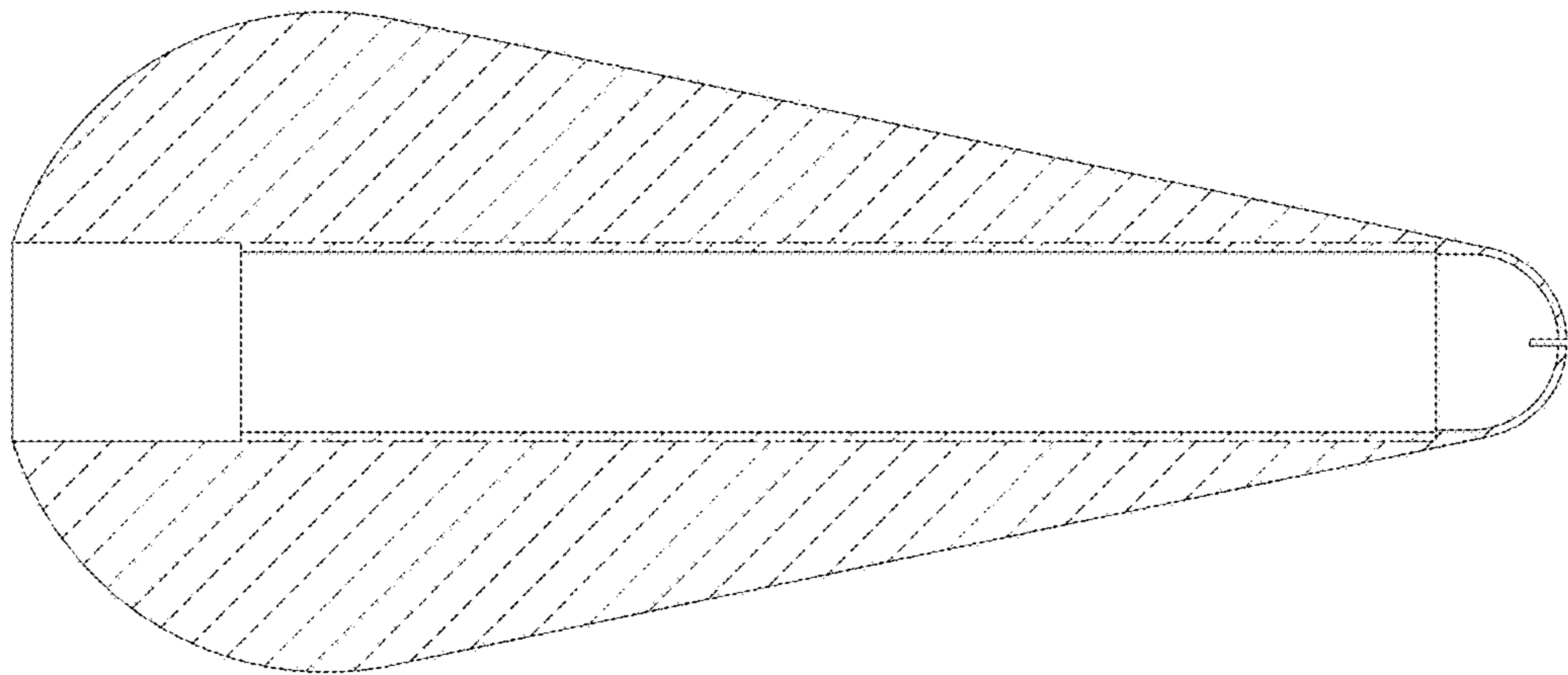


FIG. 6