



US00D789514S

(12) **United States Design Patent** (10) **Patent No.:** **US D789,514 S**  
**Hill** (45) **Date of Patent:** **\*\* Jun. 13, 2017**

(54) **INJECTABLE TABLET** 4,959,218 A \* 9/1990 Eckenhoff ..... A61K 38/27  
424/468  
(71) Applicant: **BELMAR SELECT** D316,913 S 5/1991 Motola et al.  
**OUTSOURCING**, Lakewood, CO (US) D325,619 S \* 4/1992 Casberg ..... D23/207  
D339,863 S 9/1993 Robertson  
(72) Inventor: **David Hill**, Lakewood, CO (US) D372,307 S 7/1996 Barringer  
8,173,161 B2 5/2012 Bunick et al.  
(73) Assignee: **David Hill**, Lakewood, CO (US) D700,314 S 2/2014 Dolhun  
D765,828 S \* 9/2016 Kane ..... D24/101

(\*\*) Term: **15 Years**

(21) Appl. No.: **29/566,610**

(22) Filed: **Jun. 1, 2016**

(51) **LOC (10) Cl.** ..... **24-01**

(52) **U.S. Cl.**  
USPC ..... **D24/101**

(58) **Field of Classification Search**  
USPC ..... D24/100-104  
CPC ..... A61K 9/20; A61K 9/209; A61K 9/2077;  
A61K 9/5078; A61K 9/4891; A61K  
9/167; A61K 9/2072; A61K 9/2081;  
A61K 9/2086; A61K 8/11  
See application file for complete search history.

(56) **References Cited**

**U.S. PATENT DOCUMENTS**

2,584,166 A \* 2/1952 Stevenson ..... A61K 9/025  
424/430  
D190,729 S 6/1961 Carter  
D195,659 S 7/1963 Weckesser  
D210,366 S 3/1968 Kroninger  
D210,368 S 3/1968 Kroninger  
D227,460 S 6/1973 Modelevsky  
4,200,098 A \* 4/1980 Ayer ..... A61K 9/0004  
424/424  
D280,557 S 9/1985 Becker  
4,792,448 A \* 12/1988 Ranade ..... A61K 9/2072  
424/438  
D301,762 S \* 6/1989 Oshlack ..... D24/103  
4,928,840 A \* 5/1990 Barshay ..... A61K 9/4808  
206/528

**FOREIGN PATENT DOCUMENTS**

CN 102145064 A 8/2011

**OTHER PUBLICATIONS**

Abd-El-Maeboud et al., "Rectal suppository: commonsense and mode of insertion," [abstract only] vol. 338, No. 8770, p. 798-800, Sep. 28, 1991, 2 pages [http://www.thelancet.com/journals/lancet/article/PII01406736\(91\)90676-G/abstract](http://www.thelancet.com/journals/lancet/article/PII01406736(91)90676-G/abstract).

\* cited by examiner

*Primary Examiner* — Charles Hanson  
(74) *Attorney, Agent, or Firm* — Kilpatrick Townsend & Stockton LLP

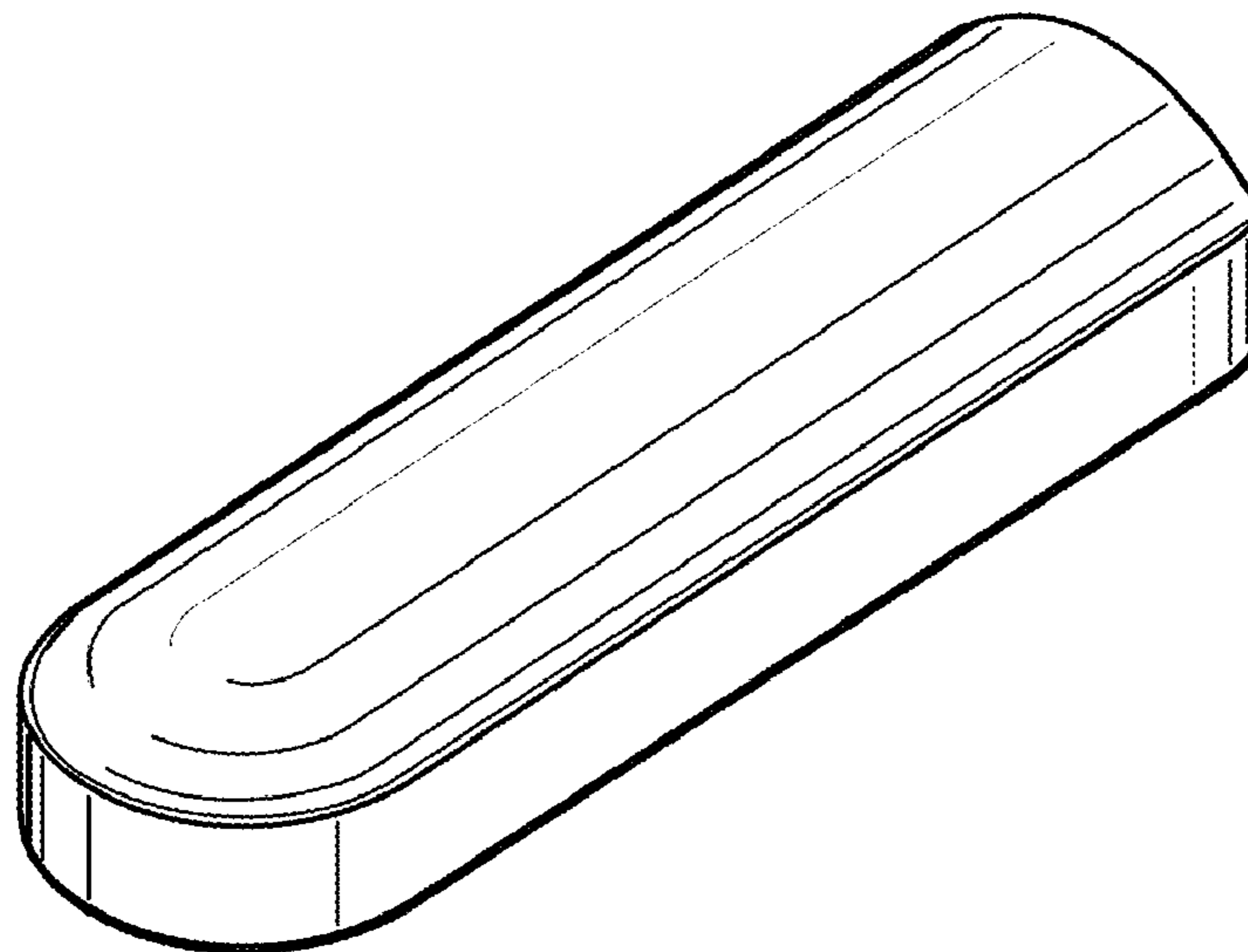
(57) **CLAIM**

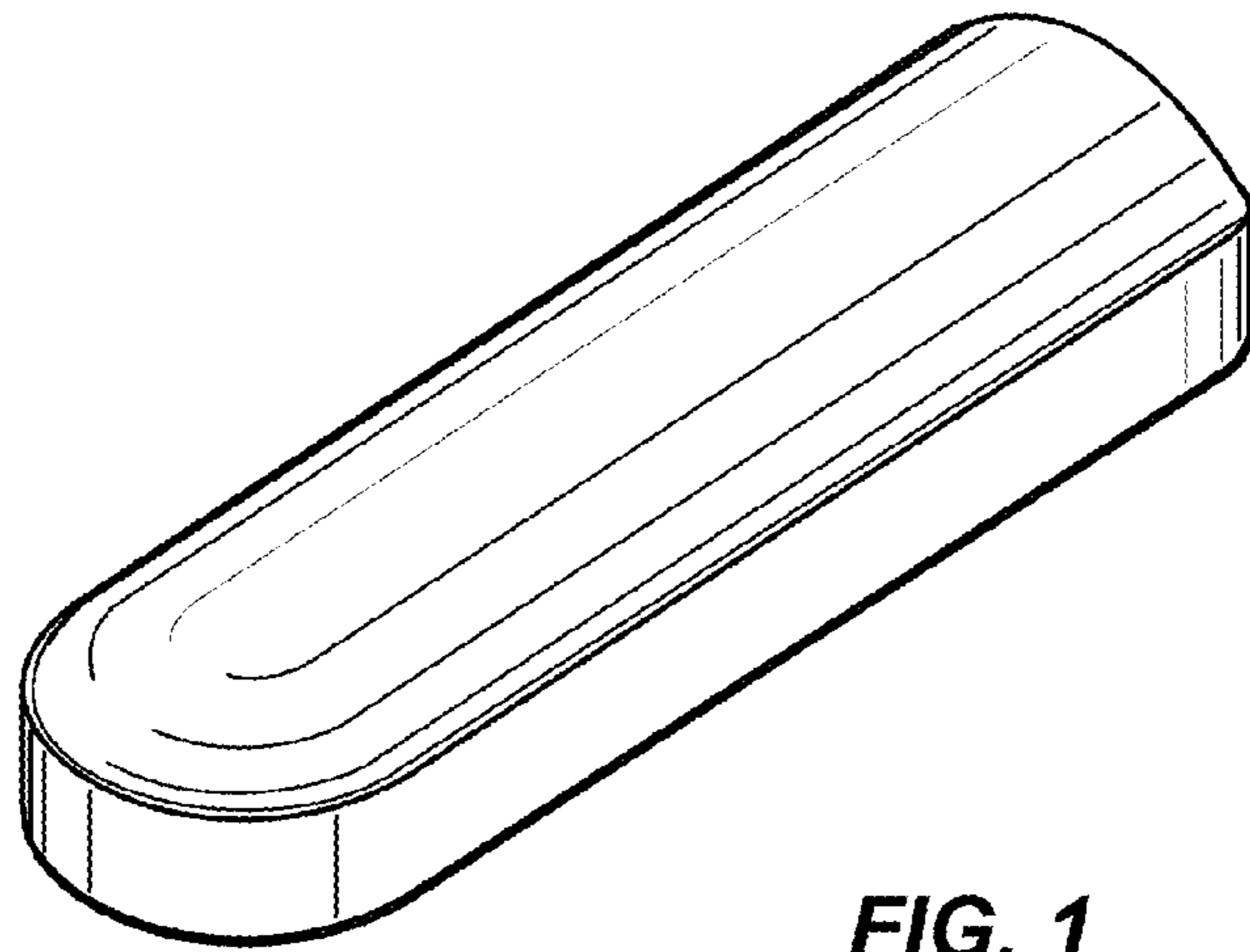
The ornamental design for an injectable tablet, as shown and described.

**DESCRIPTION**

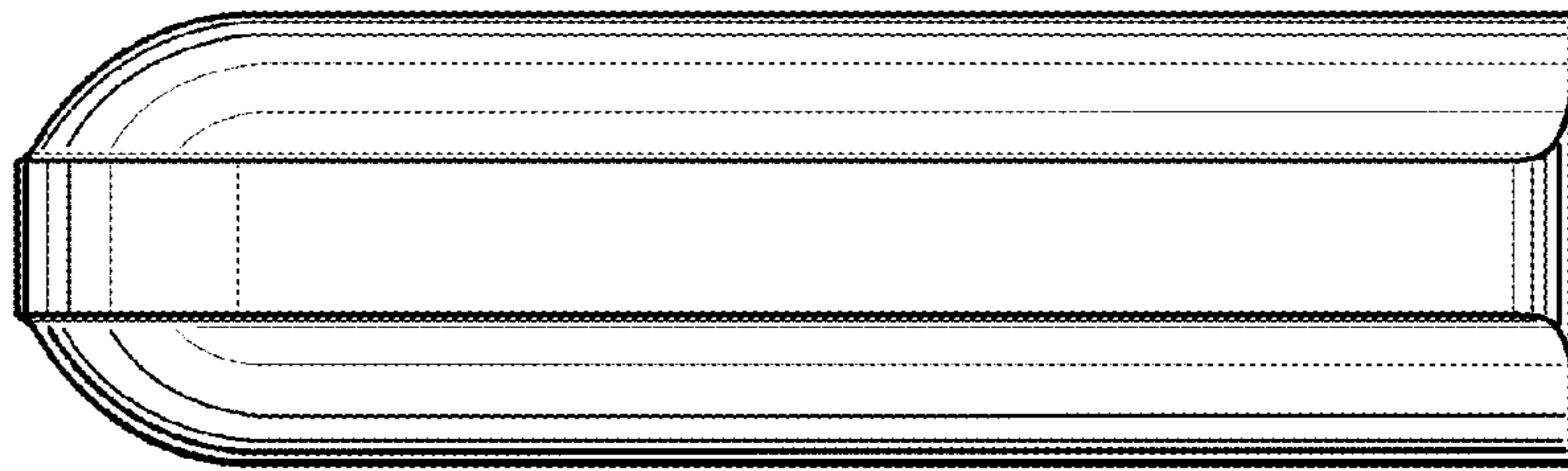
FIG. 1 is an isometric view of injectable tablet showing my new design;  
FIG. 2 is a left side elevational view, the right side elevational view being a mirror image thereof;  
FIG. 3 is a top plan view, the bottom plan view being a mirror image thereof;  
FIG. 4 is a front elevational view thereof; and,  
FIG. 5 is a rear elevational view thereof.

**1 Claim, 1 Drawing Sheet**

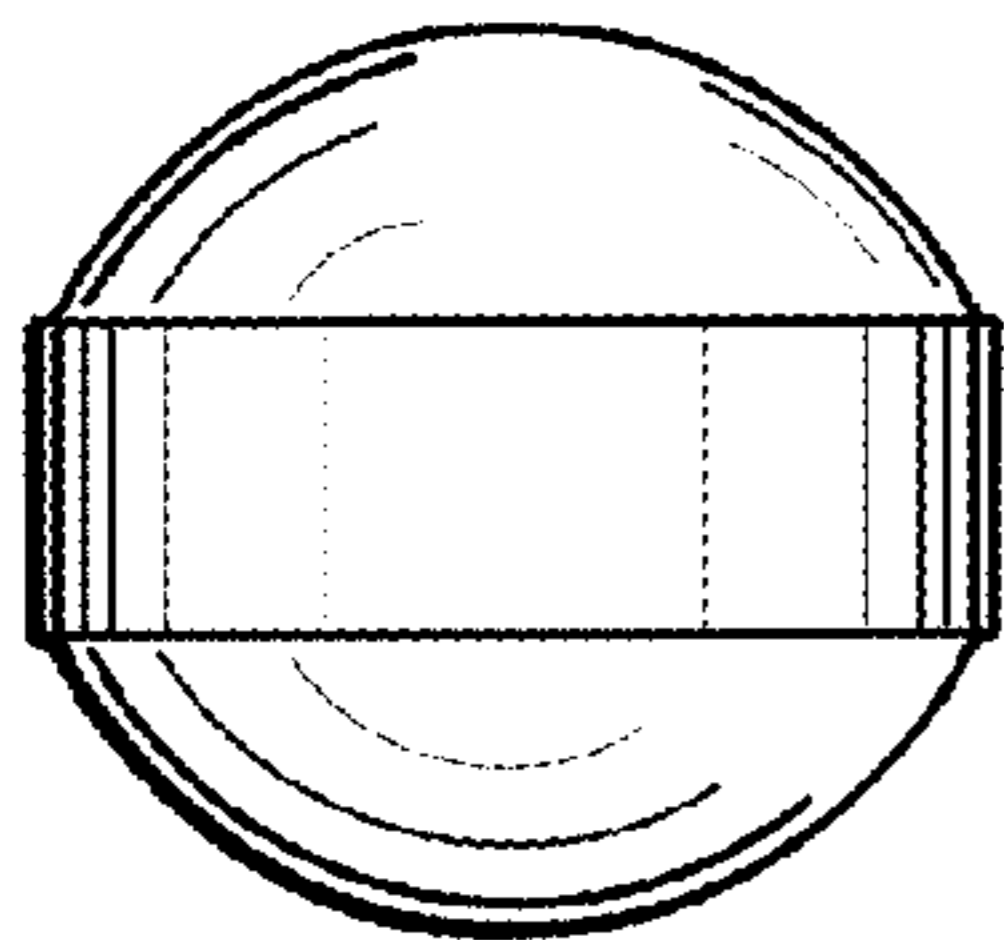




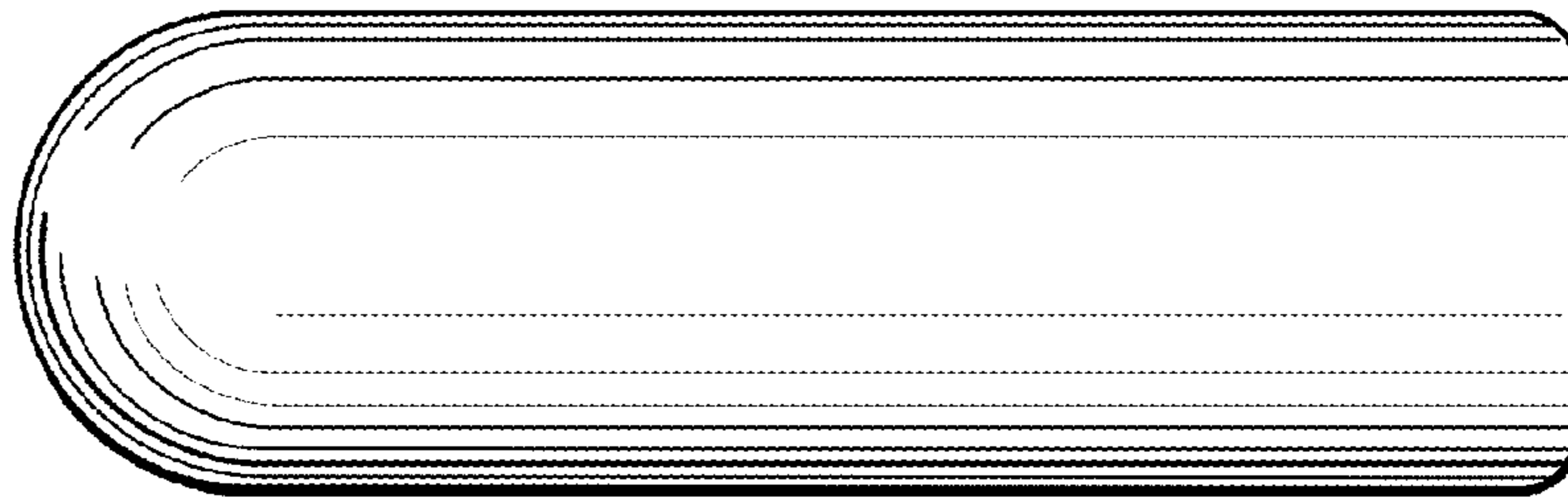
**FIG. 1**



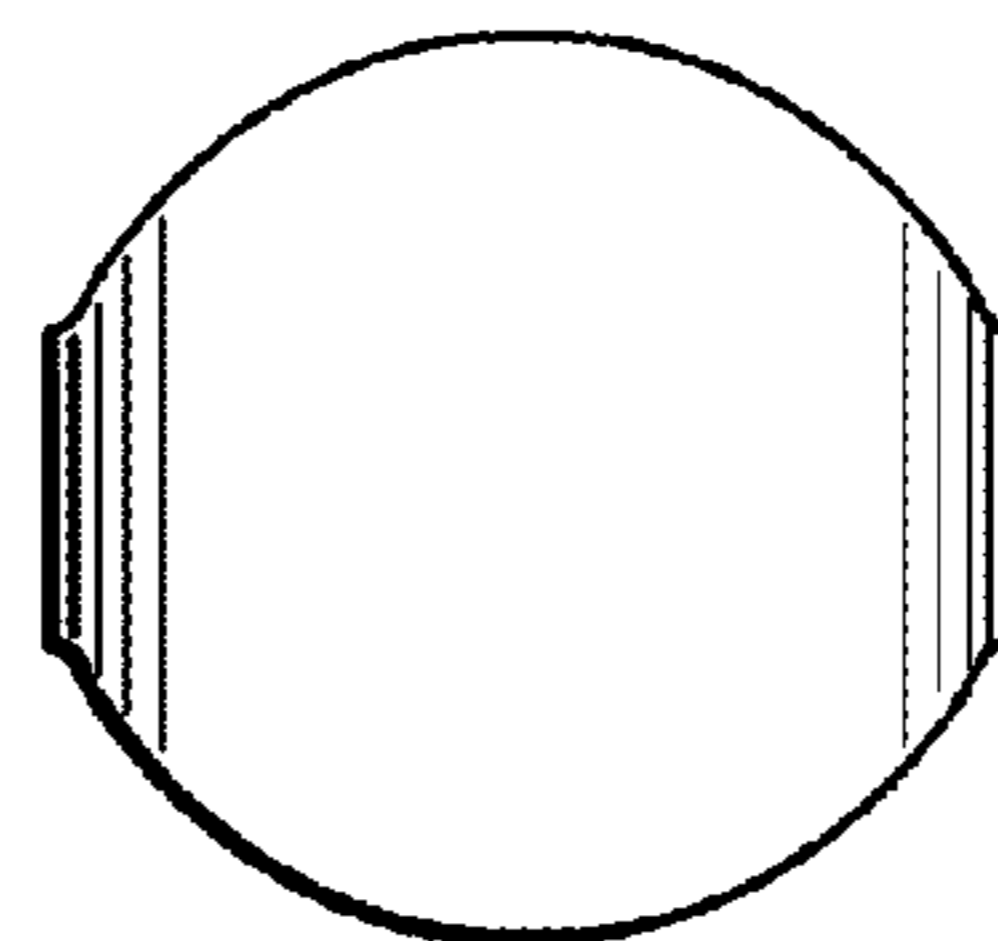
**FIG. 2**



**FIG. 4**



**FIG. 3**



**FIG. 5**