



US00D789513S

(12) **United States Design Patent**
Nilssen

(10) **Patent No.:** **US D789,513 S**

(45) **Date of Patent:** **** Jun. 13, 2017**

- (54) **BURNER SUPPORT GRATE**
- (71) Applicant: **HESTAN COMMERCIAL CORPORATION**, Anaheim, CA (US)
- (72) Inventor: **Ray Nilssen**, Fairhope, AL (US)
- (73) Assignee: **Hestan Commercial Corporation**, Anaheim, CA (US)

- 4,412,524 A * 11/1983 Ratelband F24B 1/1886
126/524
- D336,625 S * 6/1993 Mitchell D12/6
- 5,303,692 A * 4/1994 Shasad F24B 1/182
108/35
- D392,034 S * 3/1998 Pagani D23/399
- D434,591 S * 12/2000 Goodman D6/629
- 6,199,546 B1 * 3/2001 Freemon A47J 37/079
126/154

(**) Term: **14 Years**

(Continued)

(21) Appl. No.: **29/515,903**

(22) Filed: **Jan. 28, 2015**

(51) **LOC (10) Cl.** **23-03**

(52) **U.S. Cl.**
USPC **D23/415**

(58) **Field of Classification Search**
USPC D23/394, 398, 403, 405, 407, 409, 410,
D23/415, 417, 499; D25/38.1, 31, 126,
D25/136, 164

CPC A23L 1/01; A47J 33/00; A47J 37/04; A47J
37/06; A47J 37/08; F23C 3/00; F23D
3/18; F23D 14/02; F24B 1/182; F24B
1/192; F24B 1/193; F24B 3/00; F24F
13/20; F24C 1/16; F24C 15/10; F24C
15/14; F26B 11/02; F26B 19/00

See application file for complete search history.

(56) **References Cited**

U.S. PATENT DOCUMENTS

- 3,077,249 A * 2/1963 Abberly E04C 3/32
52/837
- 4,243,015 A * 1/1981 Trytten F24B 1/199
126/518
- 4,290,409 A * 9/1981 Mayo F24B 1/192
126/198
- 4,304,216 A * 12/1981 Ratelband F24B 1/192
126/524
- 4,360,001 A * 11/1982 Thompson F24B 1/193
126/152 B

OTHER PUBLICATIONS

Side Burner Grate, image post date Jun. 29, 2014 , site visited Aug. 7, 2016, (online), <<https://www.appliancefactoryparts.com/search/part/480910/124088/>>.*

(Continued)

Primary Examiner — Kevin Rudzinski

Assistant Examiner — Sean D Lough

(74) *Attorney, Agent, or Firm* — Akerman LLP

(57)

CLAIM

The ornamental design for a burner support grate, as shown and described.

DESCRIPTION

FIG. 1 is a top perspective view of the burner support grate showing my new design;

FIG. 2 is an enlarged partial bottom perspective view thereof;

FIG. 3 is a side elevation thereof, the right and left sides being mirror images;

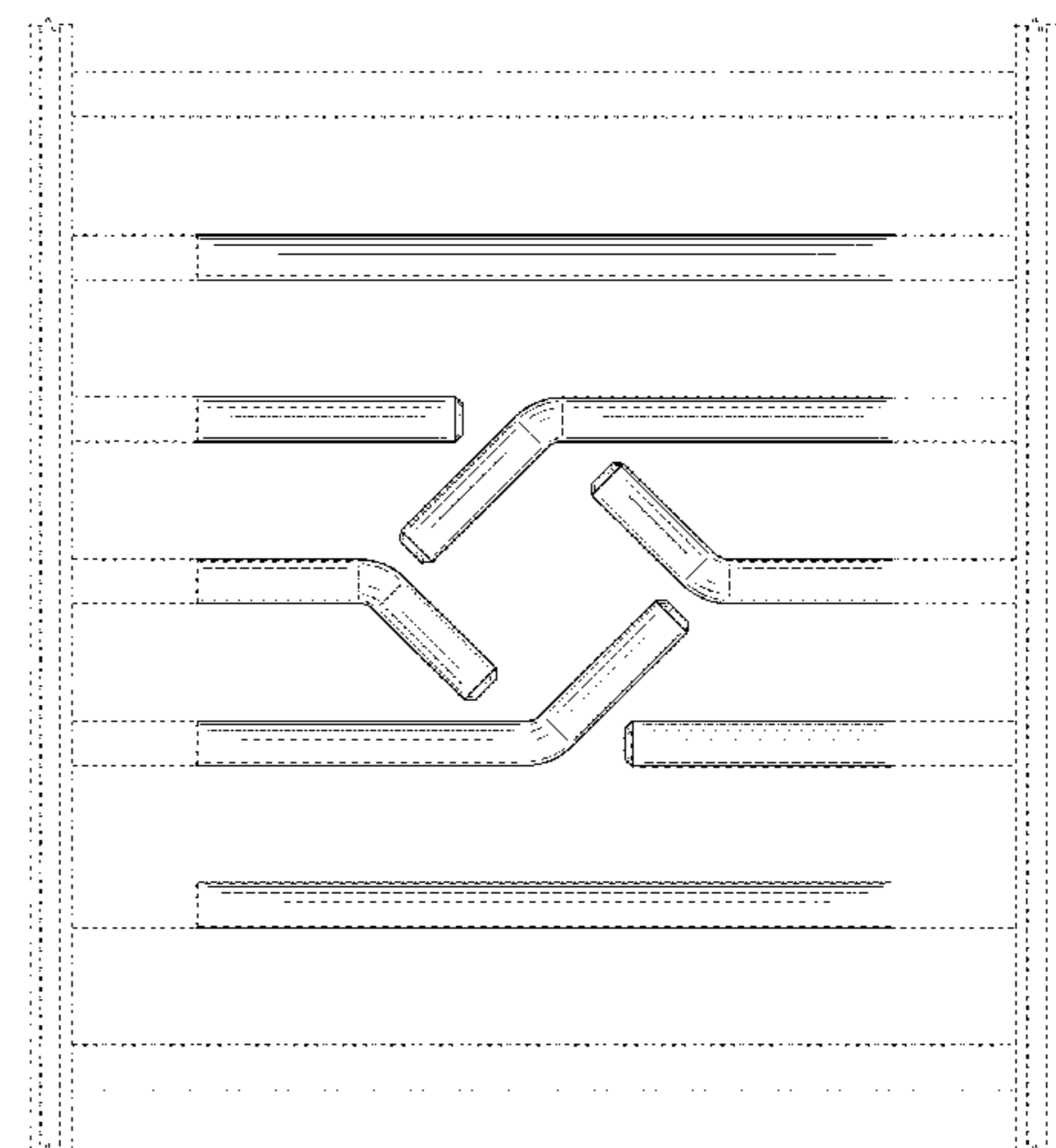
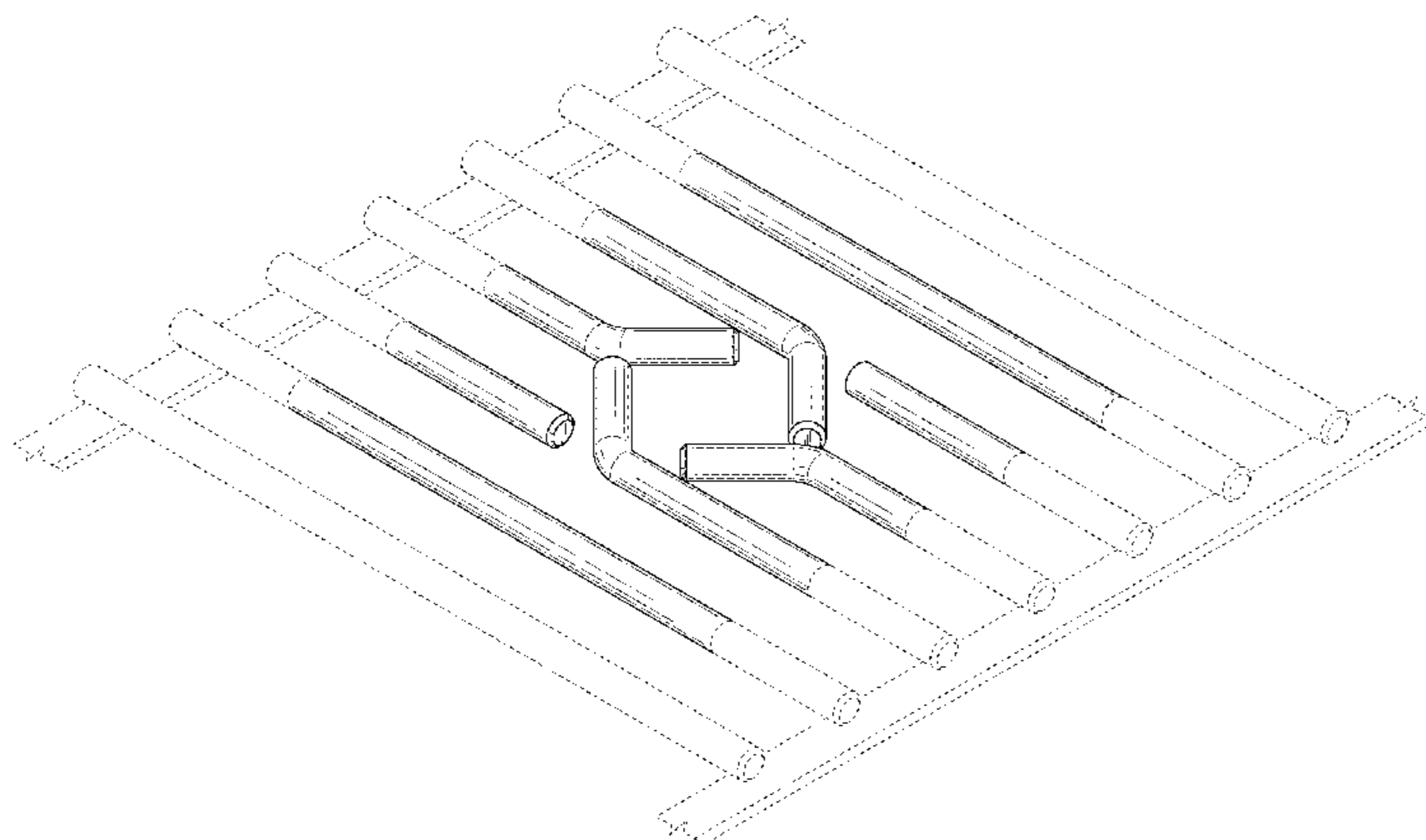
FIG. 4 is a front elevation view thereof; the rear elevation view being the mirror image thereof;

FIG. 5 is a bottom plan view thereof; and,

FIG. 6 is a top plan view thereof.

The broken lines in FIGS. 1-6 depict the environment of the claimed design, and form no part of the claimed design.

1 Claim, 6 Drawing Sheets



(56)

References Cited

U.S. PATENT DOCUMENTS

D443,354 S * 6/2001 Johnston D23/415
 D445,174 S * 7/2001 Fox D23/415
 D448,470 S * 9/2001 Iman D23/499
 6,354,194 B1 * 3/2002 Hedrington A47J 37/0611
 99/341
 D477,062 S * 7/2003 Richard D23/332
 D479,117 S * 9/2003 Mercier D8/354
 6,976,597 B2 * 12/2005 Jahrling F24C 15/168
 211/153
 D517,680 S * 3/2006 Butler D23/403
 D532,655 S * 11/2006 Elwell D7/409
 D554,946 S * 11/2007 Chung D7/409
 D576,647 S * 9/2008 Furutani D15/199
 D578,442 S * 10/2008 Oakley D12/162
 D585,999 S * 2/2009 Dong D25/38.1
 D588,382 S * 3/2009 Thompson D6/719.3
 D592,110 S * 5/2009 Oakley D12/162
 D598,572 S * 8/2009 Stephansky D25/113
 D616,115 S * 5/2010 Clayton D25/126
 D637,663 S * 5/2011 Boutchee D21/662
 D645,161 S * 9/2011 Loken D23/209
 8,122,647 B2 * 2/2012 Lee E04H 12/24
 174/44
 D658,275 S * 4/2012 Luke D23/267
 D659,598 S * 5/2012 Cariddi D12/115
 D664,668 S * 7/2012 Hewitt D25/126
 D666,480 S * 9/2012 Peacock D8/380
 D666,709 S * 9/2012 Esjunin D23/499
 D678,515 S * 3/2013 Enriquez D24/119
 8,430,088 B1 * 4/2013 Gallaher A47J 37/0694
 126/150
 D697,229 S * 1/2014 Johnson D25/38.1
 D698,692 S * 2/2014 Mulvoy D11/132
 D698,948 S * 2/2014 Choi D25/126
 D699,333 S * 2/2014 Price D23/348
 8,640,398 B1 * 2/2014 Richmond A01K 3/00
 256/1
 D701,598 S * 3/2014 Adkins D23/415
 8,718,456 B2 * 5/2014 Hentschel C03B 29/025
 219/538
 D706,408 S * 6/2014 Betz D23/403
 D713,519 S * 9/2014 Sanchez D23/393
 D723,182 S * 2/2015 Jimenez Lopez D25/45
 D724,181 S * 3/2015 Condon D23/233
 D729,378 S * 5/2015 Autrey D23/398
 D735,818 S * 8/2015 Black D21/662
 D735,899 S * 8/2015 Erdman D25/164
 D737,473 S * 8/2015 Bucarizza D25/121
 D738,535 S * 9/2015 Bucarizza D25/121

D740,450 S * 10/2015 Frith D25/152
 D746,973 S * 1/2016 Langohr D23/415
 D751,186 S * 3/2016 Romzek D23/410
 D753,281 S * 4/2016 Baston D23/355
 D761,945 S * 7/2016 Imbert D23/348
 D762,289 S * 7/2016 Schmidt D23/323
 2002/0129810 A1 * 9/2002 Wright F23H 1/00
 126/540
 2004/0149277 A1 * 8/2004 Han A47J 37/067
 126/25 R
 2004/0149668 A1 * 8/2004 Fann A47B 73/002
 211/74
 2006/0150963 A1 * 7/2006 Barron A47J 33/00
 126/9 R
 2009/0011270 A1 * 1/2009 Hsu F23D 14/02
 428/606
 2009/0084050 A1 * 4/2009 Moore F24F 13/082
 52/203
 2009/0092935 A1 * 4/2009 Cagle C11C 5/006
 431/3
 2011/0000476 A1 * 1/2011 Kleve F24B 1/193
 126/152 B
 2016/0169534 A1 * 6/2016 Nilssen F24C 15/166
 126/21 R
 2016/0206142 A1 * 7/2016 Jameson A47J 37/0694

OTHER PUBLICATIONS

Diamond Pattern, image post date Nov. 26, 2013, site visited Aug. 7, 2016, (online), <https://www.tineye.com/search/07edc13d86be5d36838a2dcacb6d561278ee01e4/?plug_inver=>>.*
 Modern Wrought Iron Fence Design, image post date , site visited Aug. 7, 2016, (online), <<https://www.tineye.com/search/c354335a171765f265618d523871adc20e35d780/>>>.*
 Wolf 2-Burner Wok Grate , image post date Dec. 22, 2015, site visited Aug. 7, 2016, (online), <<https://www.tineye.com/search/e6c78cc104abbf43c0db0298d3d71510ef88f6e7/>>>.*
 Diamond geometric pattern, image post date Nov. 27, 2013, site visited Sep. 19, 2016, (online), <<https://www.tineye.com/search/d6ce0ae9bb773e4a7607c44b6dc46b65c5f9503a/>>>.*
 Untitled (Greek Key) by Jim Isermann, image post date Jul.-Aug. 2006, site visited Sep. 19, 2016, (online), <https://hammer.ucla.edu/exhibitions/2002/hammer-projects-jim-isermann/#gallery_de629b26df6cc109b29a9e841f8e12c5552a0768>.*
 Geometric designs are seen all around China, image post date 2000 years ago, site visited Sep. 19, 2016, (online), <<http://www.gettwittywithit.com/new-blog/>>*
 Diamond Shaped Frame, image post date Jan. 5, 2015, site visited Sep. 19, 2016, (online), <<https://www.tineye.com/search/7011fdc39e037b940f9d263577c1fcda78e94e81/>>>.*

* cited by examiner

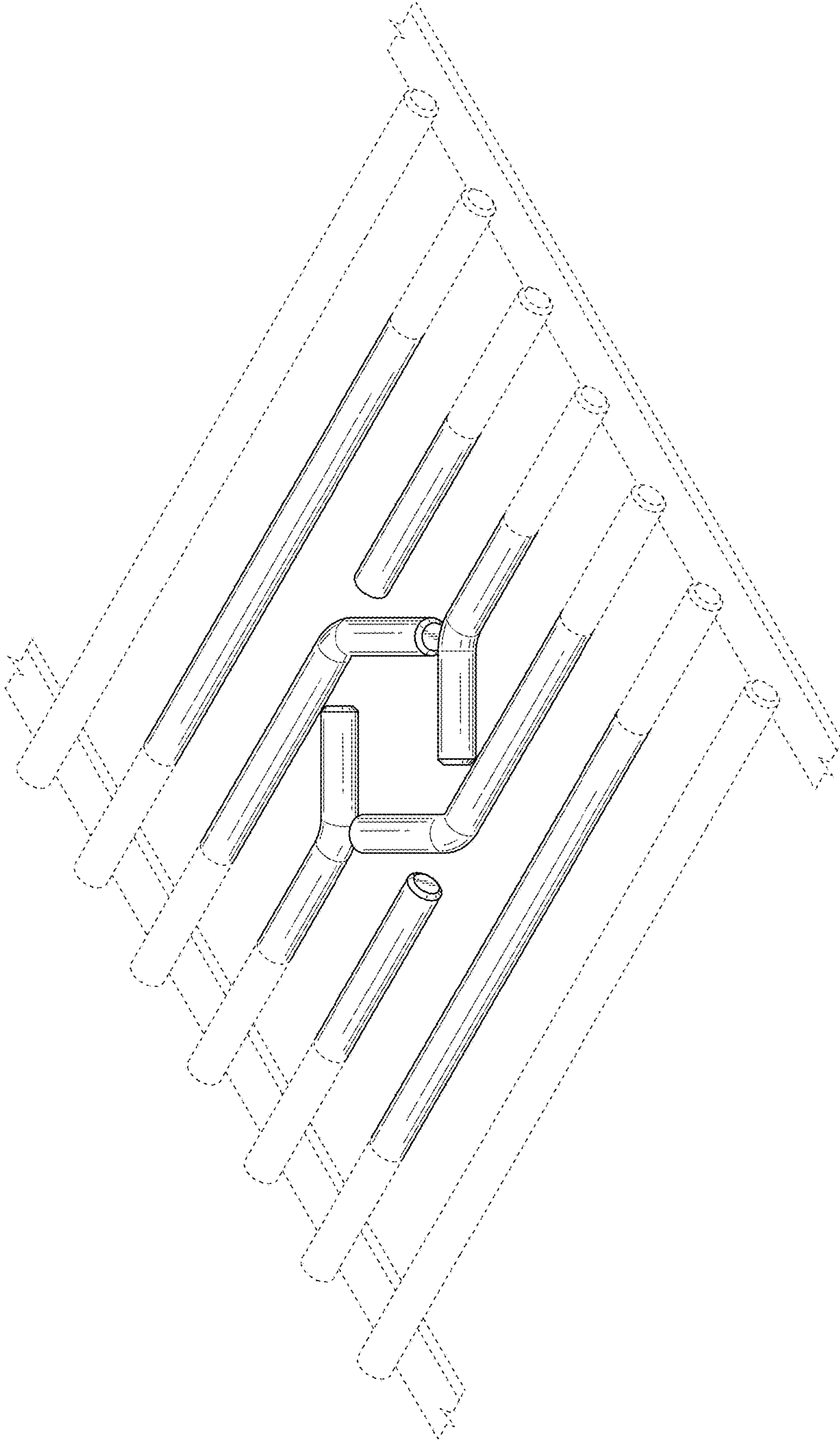


FIG. 1

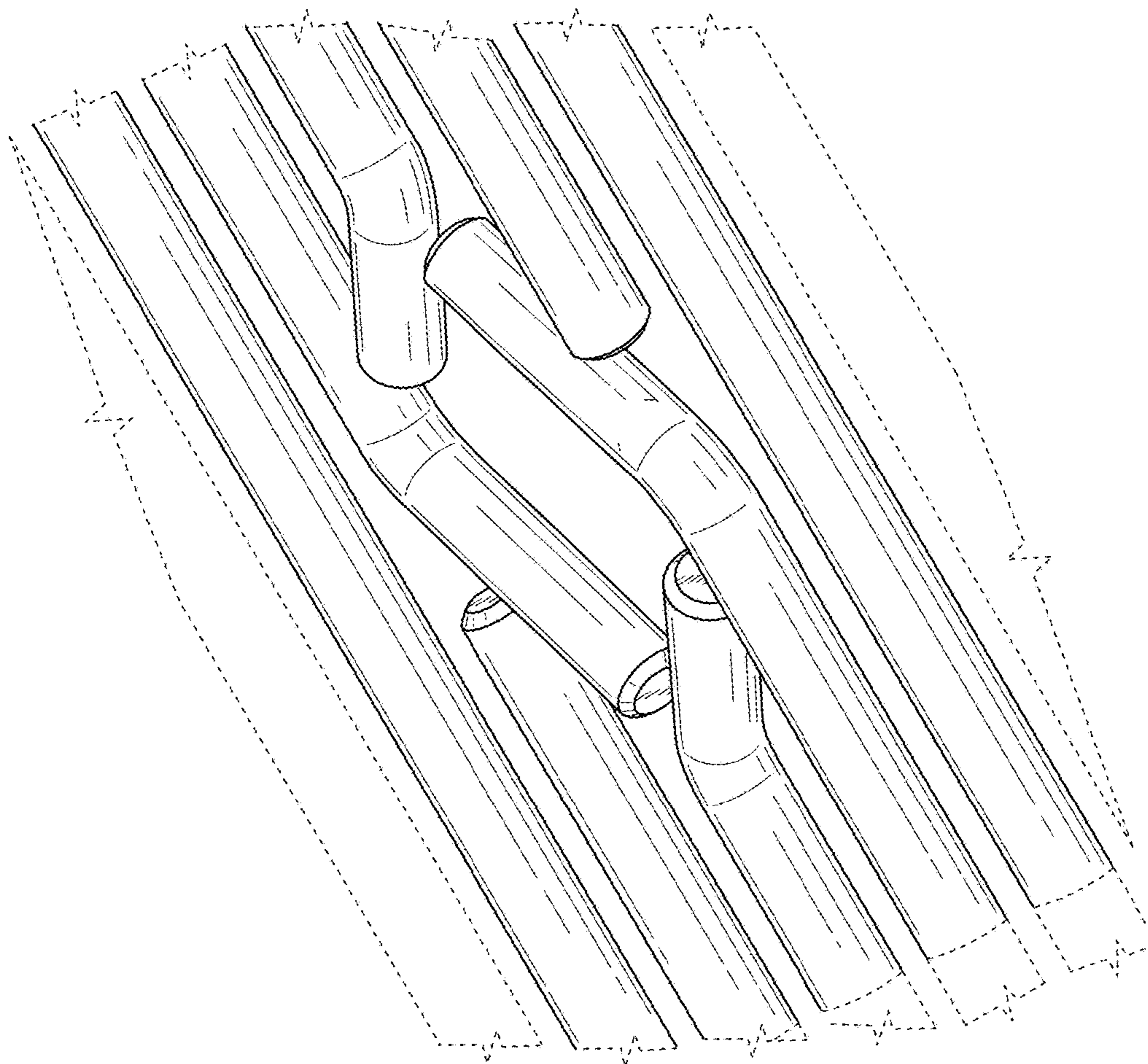


FIG. 2

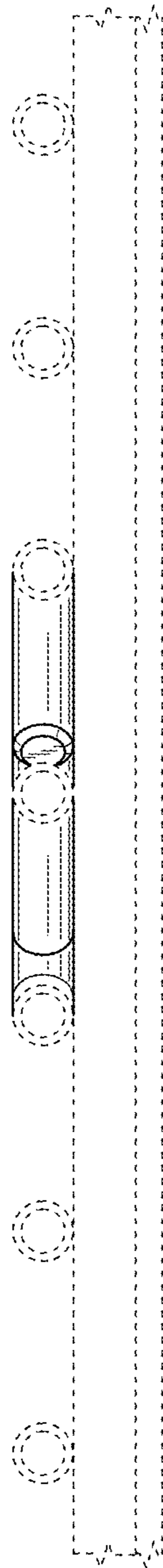


FIG. 3

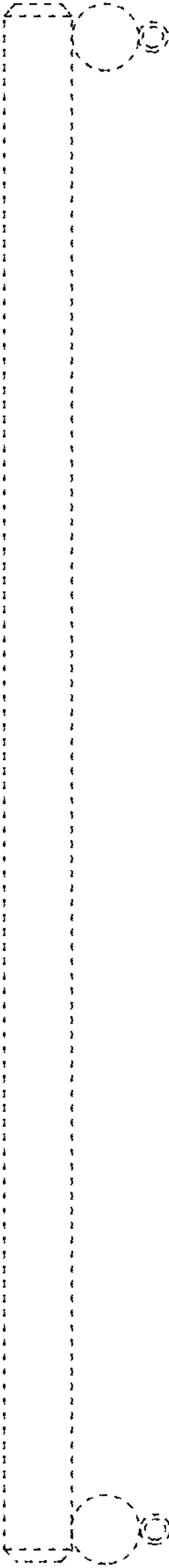


FIG. 4

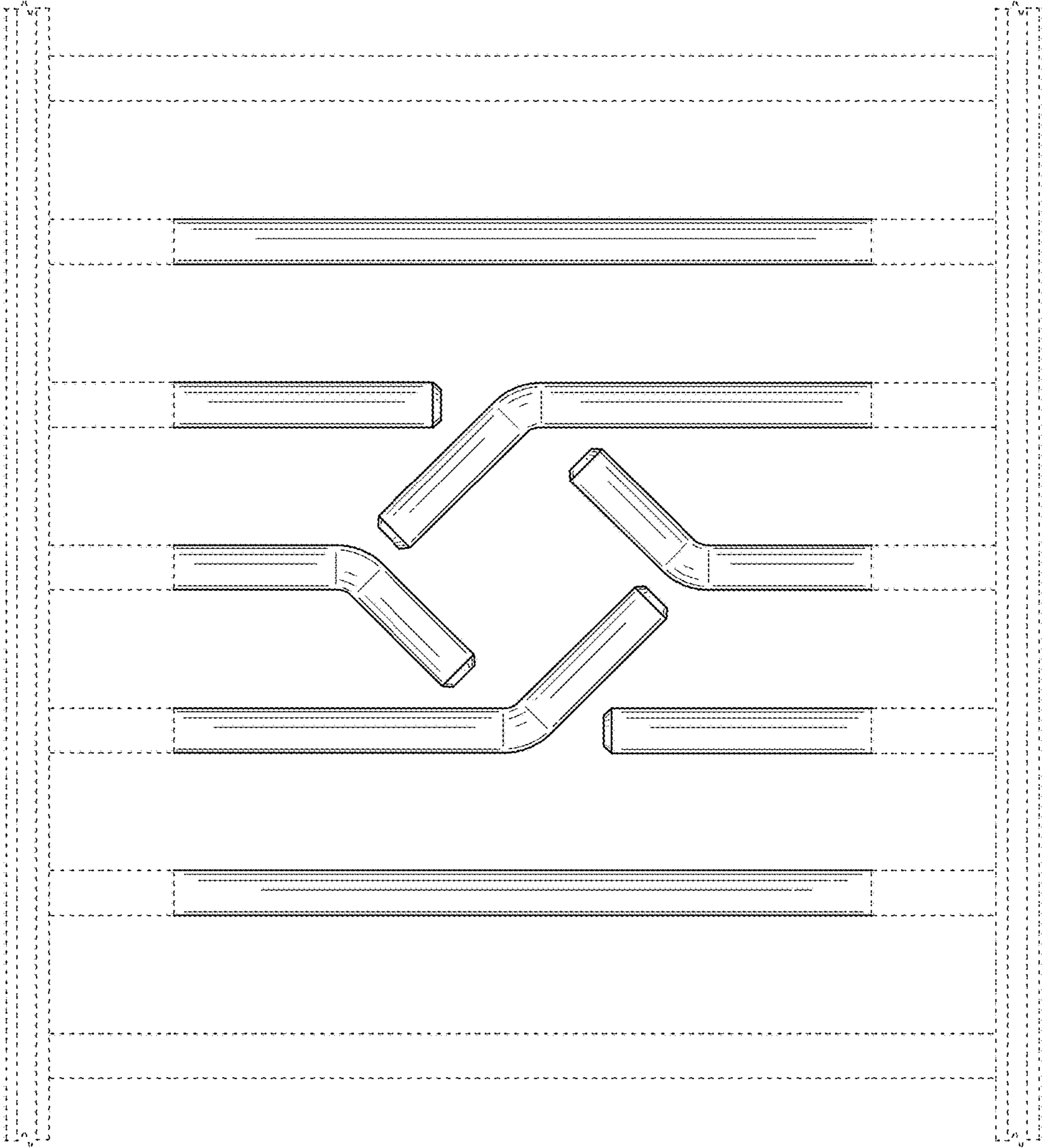


FIG. 5

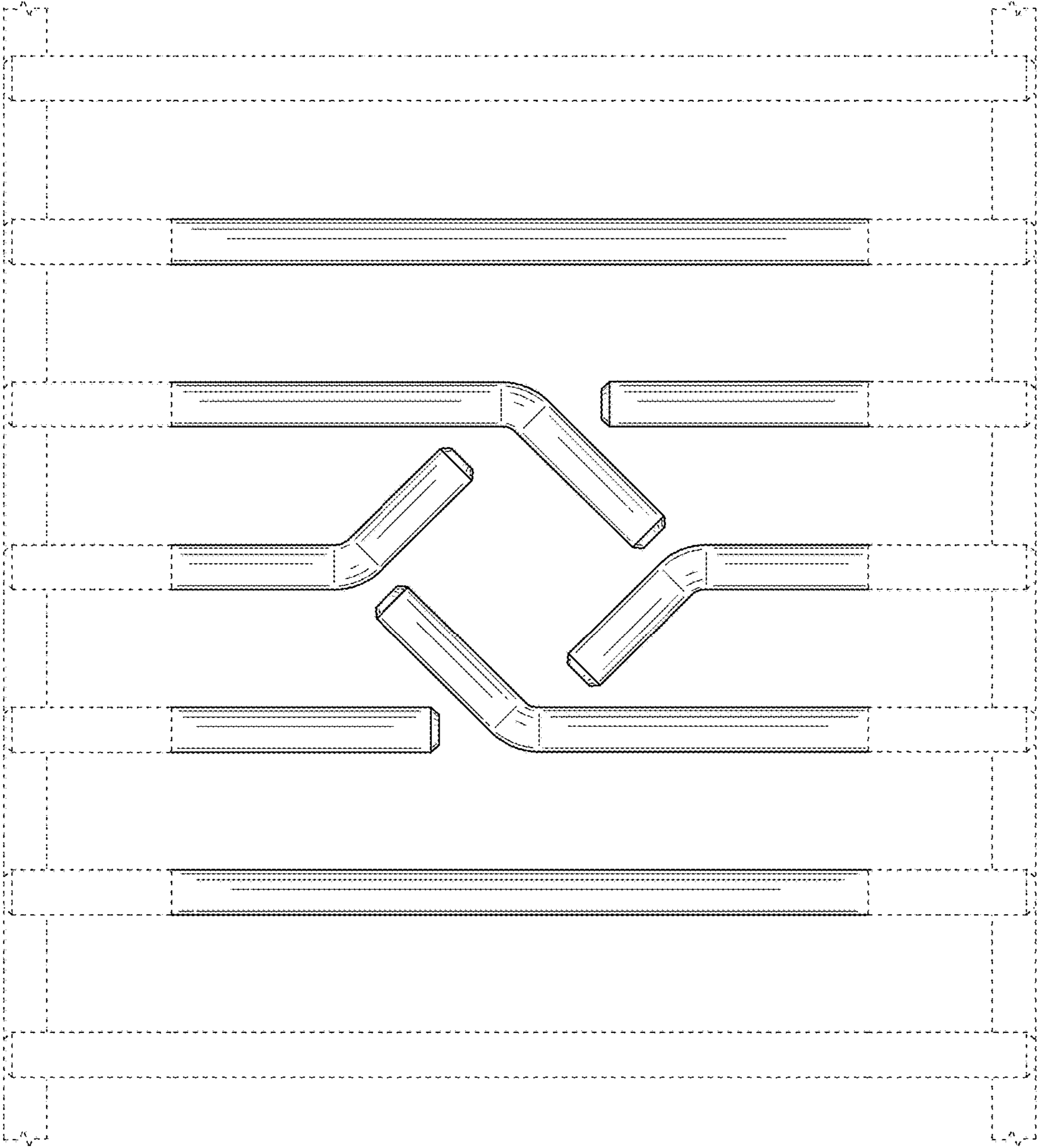


FIG. 6