



US00D789512S

(12) **United States Design Patent**  
**Cross**

(10) **Patent No.:** **US D789,512 S**

(45) **Date of Patent:** **\*\* Jun. 13, 2017**

(54) **DUCTWORK**

(71) Applicant: **Eddie A. Cross**, Inwood, NY (US)

(72) Inventor: **Eddie A. Cross**, Inwood, NY (US)

(\*\*) Term: **15 Years**

(21) Appl. No.: **29/527,591**

(22) Filed: **May 20, 2015**

(51) **LOC (10) Cl.** ..... **23-04**

(52) **U.S. Cl.**

USPC ..... **D23/393**

(58) **Field of Classification Search**

USPC ..... D14/356; D10/93, 104.1, 108, 114;  
D8/4, 25, 52; D17/20, 22, 23; D23/323,  
D23/328, 333, 335, 336, 337, 341, 352,  
D23/357, 370, 385, 386, 397, 399, 400,  
D23/406, 411, 413, 499, 382, 388, 391,  
D23/392, 393, 394, 395; D13/182  
CPC ..... H01R 13/5213; B60Q 1/04; B60Q 1/26;  
G10D 3/006; G10D 13/023; G10D  
13/027; B25B 15/001; G10H 3/143;  
G10H 3/181; G10G 5/005; A42B 1/04;  
B64C 11/04; B64C 11/16; B64C 11/18;  
B64C 11/20; B64C 2001/009; F03D  
3/062; F03D 11/04; F04D 19/002; F04D  
25/068; F04D 25/088; F24F 1/0018; F24F  
13/24; B64D 13/02; B64D 13/00; E04C  
2/427; E06B 3/5892; E06B 7/02; B24B  
37/04; E04F 17/00; E21F 1/04; F01P  
1/02; F17C 13/04; F22B 1/1876; F22B  
1/22; F22B 3/04

See application file for complete search history.

(56) **References Cited**

**U.S. PATENT DOCUMENTS**

D80,763 S \* 3/1930 Betz ..... D23/351  
D156,294 S \* 11/1949 Trow ..... D23/328  
D192,946 S \* 5/1962 Parsons ..... D23/351  
3,059,563 A \* 10/1962 Larson ..... F24F 9/00  
109/1 V

3,308,634 A \* 3/1967 Smith ..... F24F 1/02  
52/213  
3,435,911 A \* 4/1969 Greenheck ..... F24F 13/075  
181/224  
4,020,753 A \* 5/1977 Efstratis ..... F16L 27/12  
454/306  
4,126,268 A \* 11/1978 Vitale ..... F24D 19/0087  
165/122  
D252,641 S \* 8/1979 LaZar ..... 454/231  
D262,235 S \* 12/1981 Hamilton ..... D23/370

(Continued)

**OTHER PUBLICATIONS**

Ductwork Parts, image post date Oct. 9, 2013, site visited Feb. 25,  
2017, (online), <<https://www.tineye.com/search/3fe44b1d45e0fb79ca25e5e464841f25c9337a59/>>.\*

(Continued)

*Primary Examiner* — Kevin Rudzinski  
*Assistant Examiner* — Sean D Lough  
(74) *Attorney, Agent, or Firm* — Dunlap Bennett &  
Ludwig PLLC

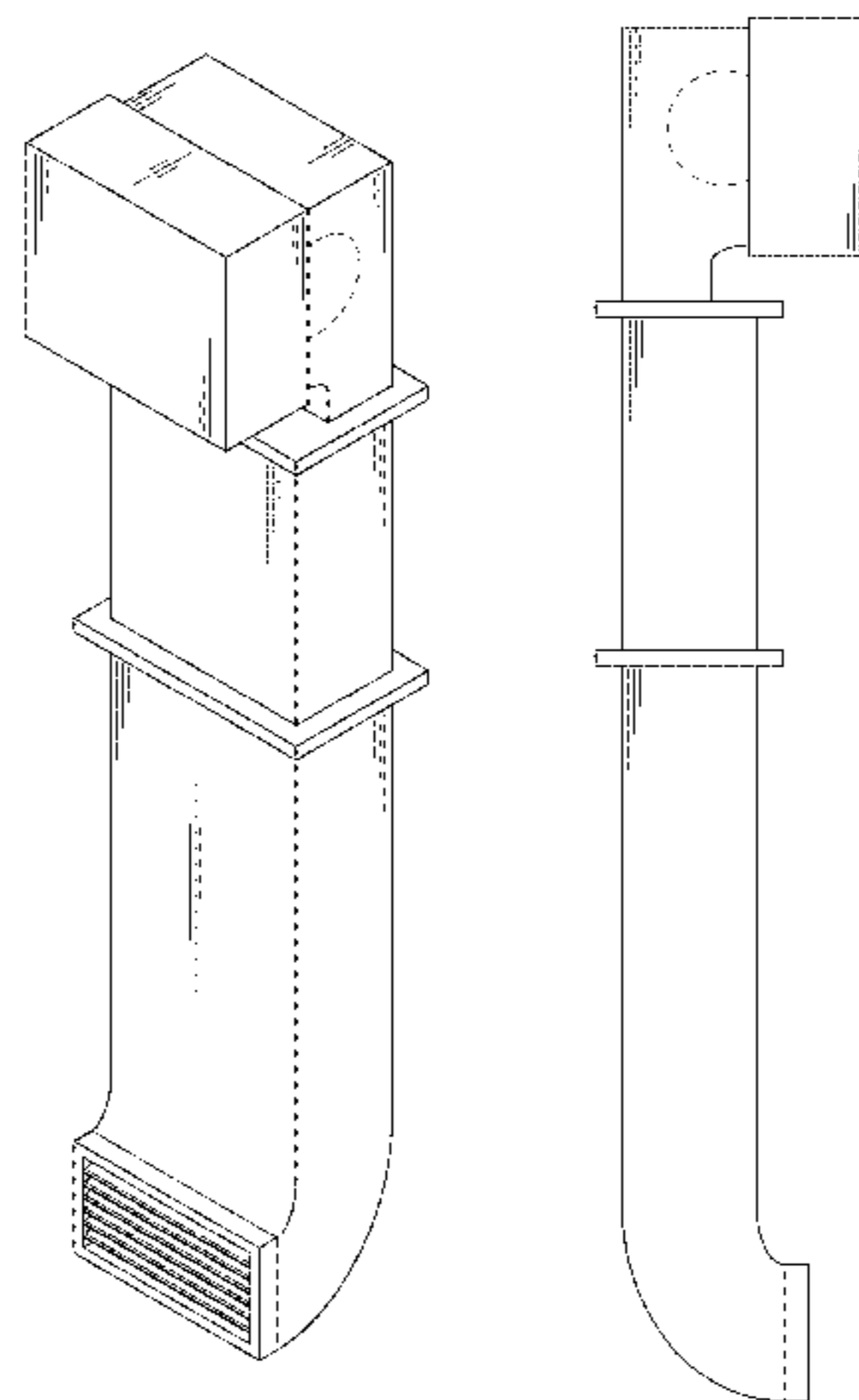
(57) **CLAIM**

The ornamental design for a ductwork, as shown and described.

**DESCRIPTION**

FIG. 1 is a front perspective view of a ductwork, showing my new design at a smaller scale than that of the remaining FIG. views;  
FIG. 2 is a front elevation view thereof;  
FIG. 3 is a rear elevation view thereof;  
FIG. 4 is a left side elevation view thereof, the right side elevation view being a mirror thereof;  
FIG. 5 is a top plan view thereof; and,  
FIG. 6 is a bottom plan view thereof.  
The broken lines shown in the drawings illustrate portions of the ductwork that form no part of the claimed design.

**1 Claim, 2 Drawing Sheets**



(56)

References Cited

U.S. PATENT DOCUMENTS

D297,359 S \* 8/1988 Schmid ..... D23/370  
 D330,076 S \* 10/1992 Evans ..... D23/386  
 D378,125 S \* 2/1997 Vannier ..... D23/364  
 5,746,655 A \* 5/1998 Lee ..... F24F 13/12  
 454/233  
 D397,202 S \* 8/1998 Saar ..... D23/387  
 D552,725 S \* 10/2007 Jacklich ..... D23/393  
 D555,232 S \* 11/2007 Beutler ..... D23/267  
 D560,276 S \* 1/2008 Whittenberger ..... D23/386  
 D567,916 S \* 4/2008 McColgin ..... D23/317  
 D634,085 S \* 3/2011 Lin ..... D32/31  
 D643,917 S \* 8/2011 Klunker ..... D23/371  
 8,152,607 B2 \* 4/2012 Carrig ..... B08B 15/00  
 454/49  
 D658,831 S \* 5/2012 Robinson ..... D32/25  
 D675,723 S \* 2/2013 Garcia ..... D23/393  
 D683,441 S \* 5/2013 Simone ..... D23/393  
 D686,714 S \* 7/2013 Smith ..... D23/317  
 D689,996 S \* 9/2013 Saunders, III ..... D23/365  
 D690,805 S \* 10/2013 Correia ..... D23/393  
 D692,114 S \* 10/2013 Stull, Jr. .... D23/355  
 D703,299 S \* 4/2014 Choi ..... D23/319  
 D705,419 S \* 5/2014 Leonard ..... D23/373

D755,365 S \* 5/2016 Stevens ..... D23/393  
 D755,366 S \* 5/2016 Stevens ..... D23/393  
 D757,456 S \* 5/2016 Sheppard ..... D6/513  
 D770,030 S \* 10/2016 Stevens ..... D23/393  
 D770,031 S \* 10/2016 Stevens ..... D23/393  
 D770,032 S \* 10/2016 Stevens ..... D23/393  
 2006/0199505 A1 \* 9/2006 Fettkether ..... F24F 13/0218  
 454/232  
 2008/0210816 A1 \* 9/2008 Feisthammel ..... B01F 3/02  
 244/118.5  
 2015/0241122 A1 \* 8/2015 Cross ..... F26B 3/04  
 34/218  
 2016/0313015 A1 \* 10/2016 Uhlenbusch ..... B60H 1/34

OTHER PUBLICATIONS

Ductwork systems, image post date 2009, site visited Feb. 25, 2017, (online), <<http://www.rsvents.co.uk/ductwork-and-air-supply.shtml>>.\*  
 Hvac ductwork sheetmetal software for cnc plasma cutter, image post date Jun. 1, 2014, site visited Feb. 25, 2017, (online), <<http://web.archive.org/web/20140601042210/http://www.tennesseequipment.com/Midwest-/Minnesota-/Auctions-/Hvac-ductwork-sheetmetal-software-for-cnc-plasma-cutter.pl>>.\*

\* cited by examiner

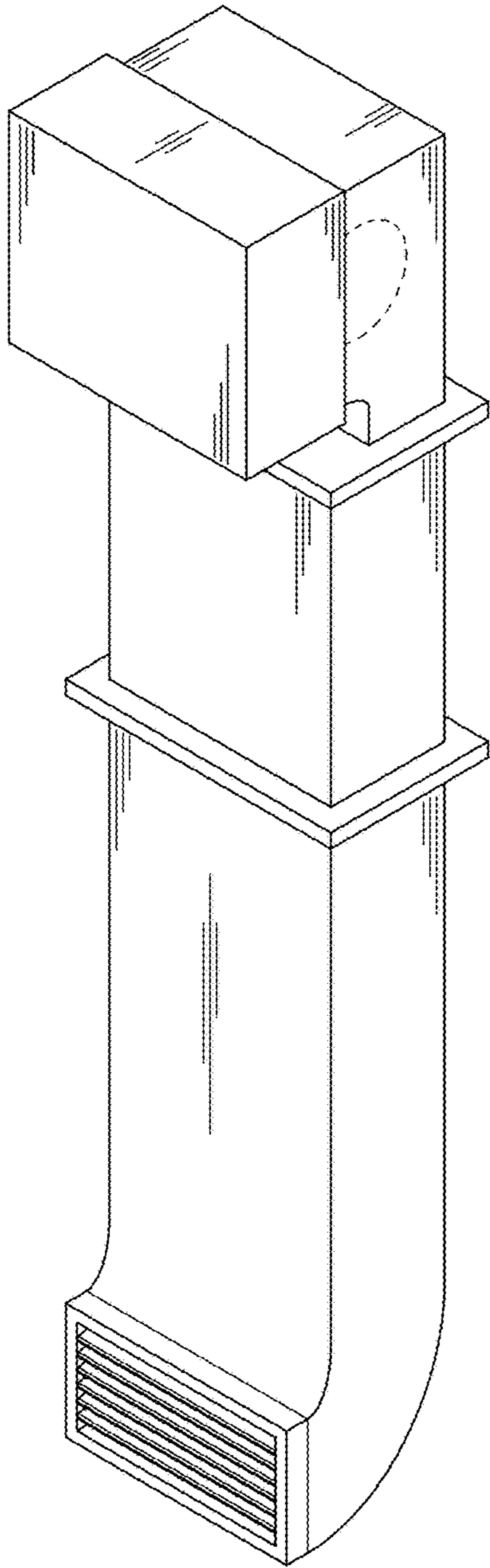


FIG. 1

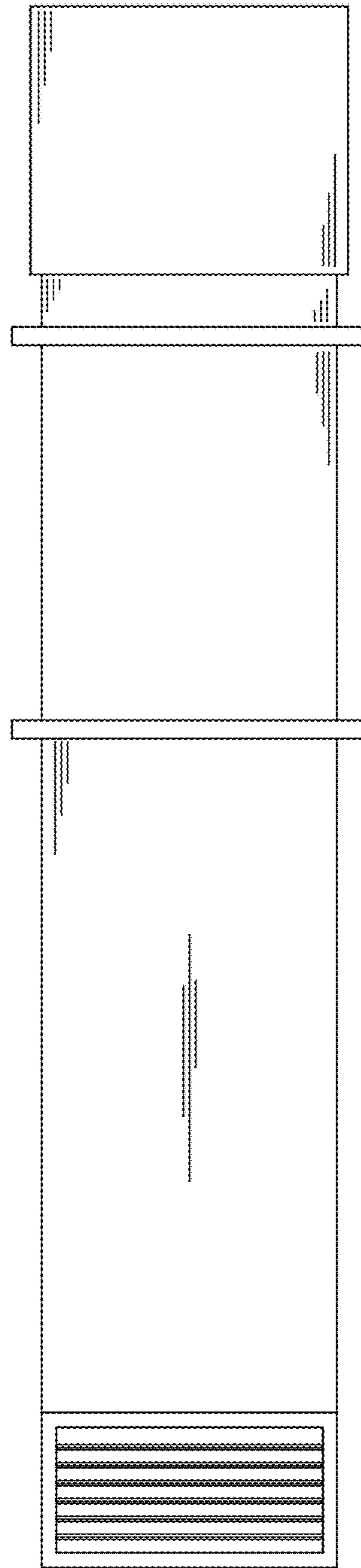


FIG. 2

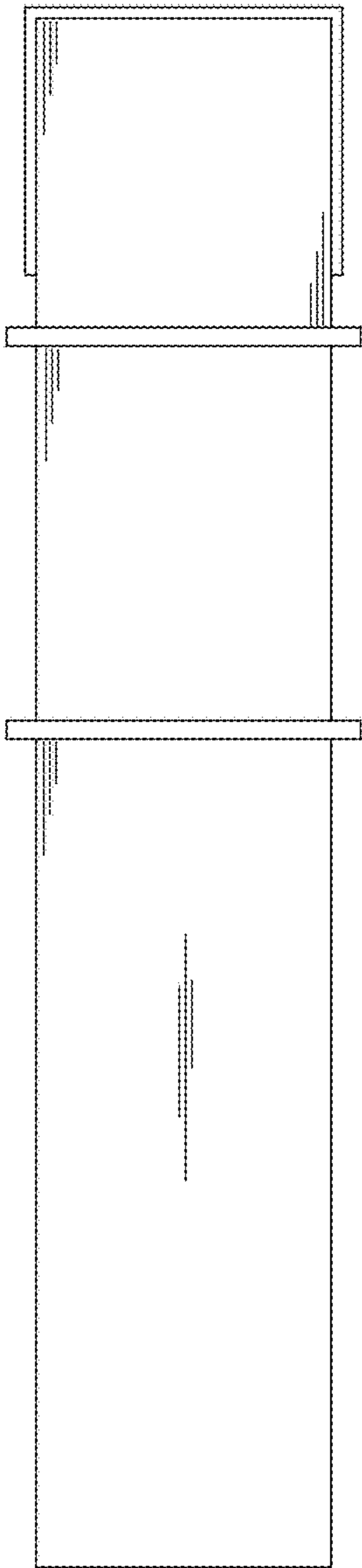


FIG. 3

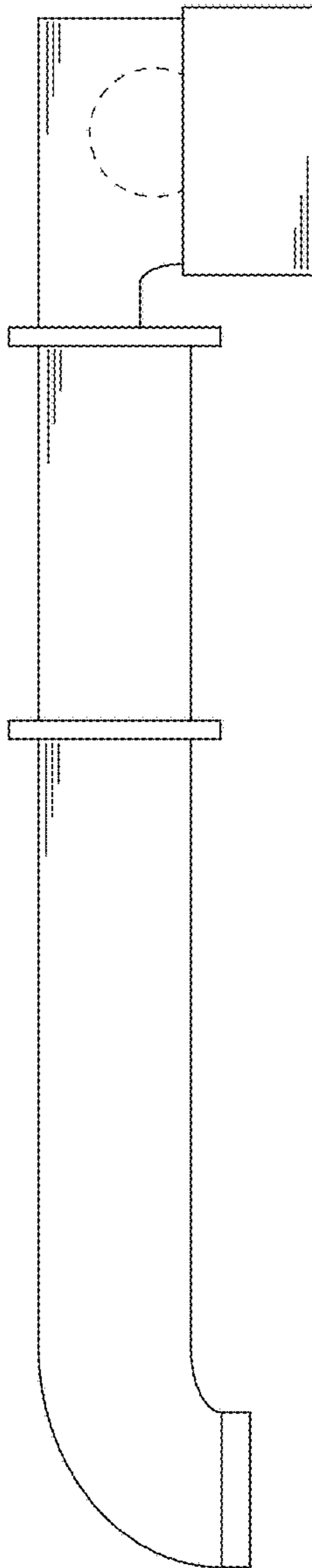


FIG. 4

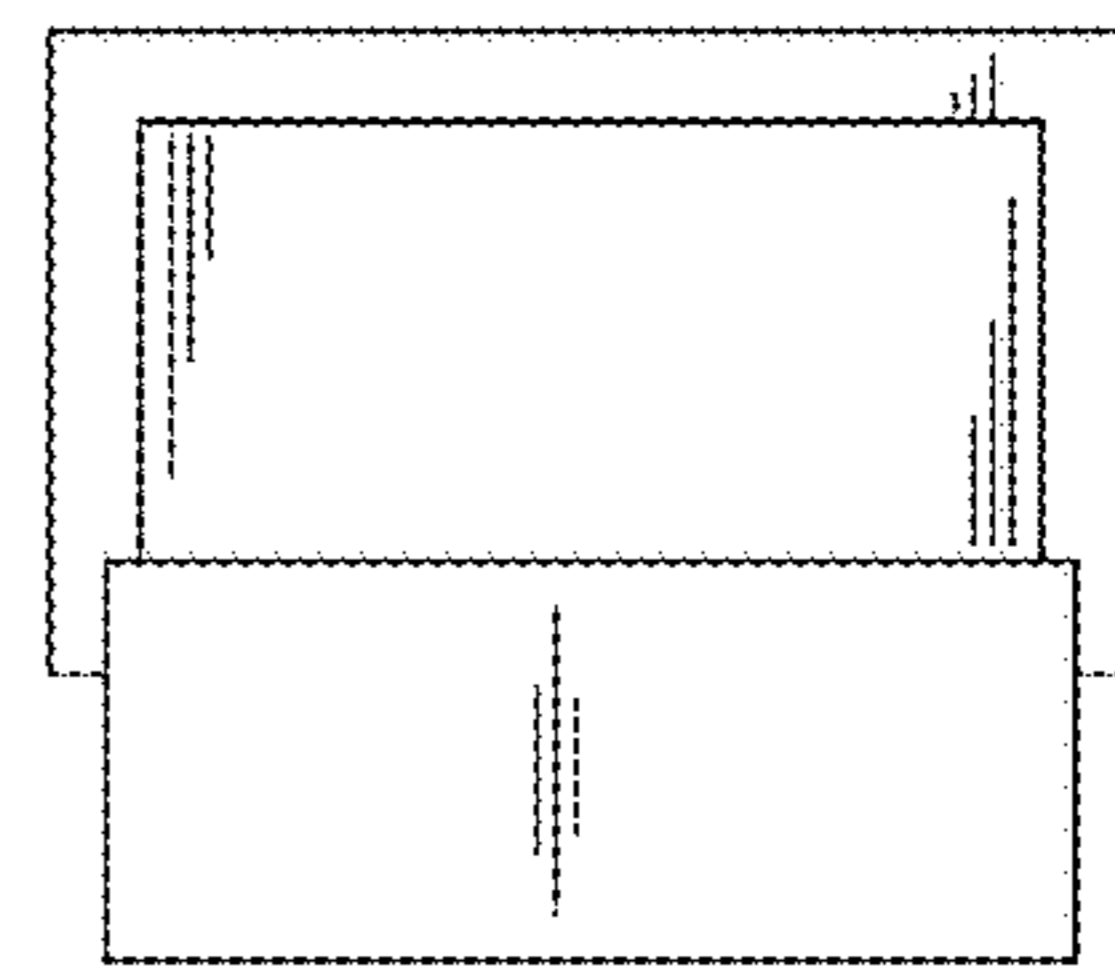


FIG. 5

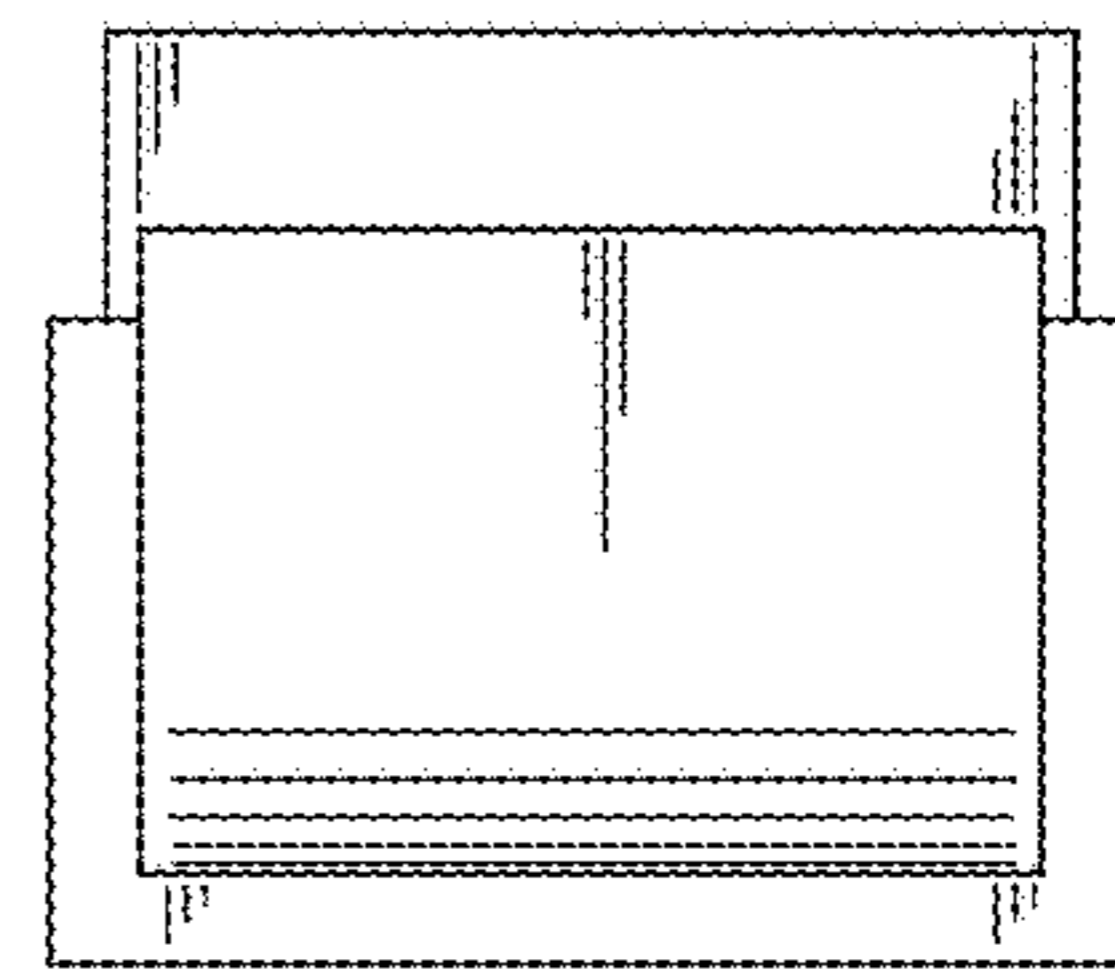


FIG. 6