



US00D789511S

(12) **United States Design Patent** (10) **Patent No.:** **US D789,511 S**  
**Wang** (45) **Date of Patent:** **\*\* Jun. 13, 2017**

- (54) **CEILING FAN**
- (71) Applicant: **YOUNGO LIMITED**, Hong Kong (CN)
- (72) Inventor: **Cliff Wang**, Taichung (TW)
- (73) Assignee: **YOUNGO LIMITED**, Hong Kong (CN)
- (\*\*) Term: **15 Years**
- (21) Appl. No.: **29/554,018**
- (22) Filed: **Feb. 6, 2016**
- (51) **LOC (10) Cl.** ..... **23-04**
- (52) **U.S. Cl.**  
USPC ..... **D23/377**
- (58) **Field of Classification Search**  
USPC ..... D23/355, 370-387, 411-414; D26/59;  
D12/214  
CPC ..... F04D 25/088; F21V 33/0096  
See application file for complete search history.

- (56) **References Cited**  
U.S. PATENT DOCUMENTS
- |               |         |                |                           |
|---------------|---------|----------------|---------------------------|
| 4,073,598 A * | 2/1978  | Mizutani ..... | F04D 25/0613<br>416/170 R |
| D346,858 S *  | 5/1994  | Lee .....      | D23/377                   |
| D448,840 S *  | 10/2001 | Gajewski ..... | D23/377                   |
| D475,782 S *  | 6/2003  | Hidalgo .....  | D23/411                   |
| D476,408 S *  | 6/2003  | Hidalgo .....  | D23/411                   |
| D478,980 S *  | 8/2003  | Hidalgo .....  | D23/411                   |
| D553,731 S *  | 10/2007 | Bucher .....   | D23/411                   |

- |                   |         |                 |                       |
|-------------------|---------|-----------------|-----------------------|
| D599,461 S *      | 9/2009  | Ertze .....     | D23/377               |
| D744,633 S *      | 12/2015 | Wang .....      | D23/411               |
| D750,215 S *      | 2/2016  | Gajewski .....  | D23/385               |
| D758,561 S *      | 6/2016  | Dolan .....     | D23/411               |
| D773,638 S *      | 12/2016 | Wang .....      | D23/411               |
| D774,176 S *      | 12/2016 | Wang .....      | D23/385               |
| 2003/0219340 A1 * | 11/2003 | Hidalgo .....   | F04D 29/34<br>416/206 |
| 2010/0314941 A1 * | 12/2010 | Schulzman ..... | F04D 25/068<br>307/40 |

\* cited by examiner

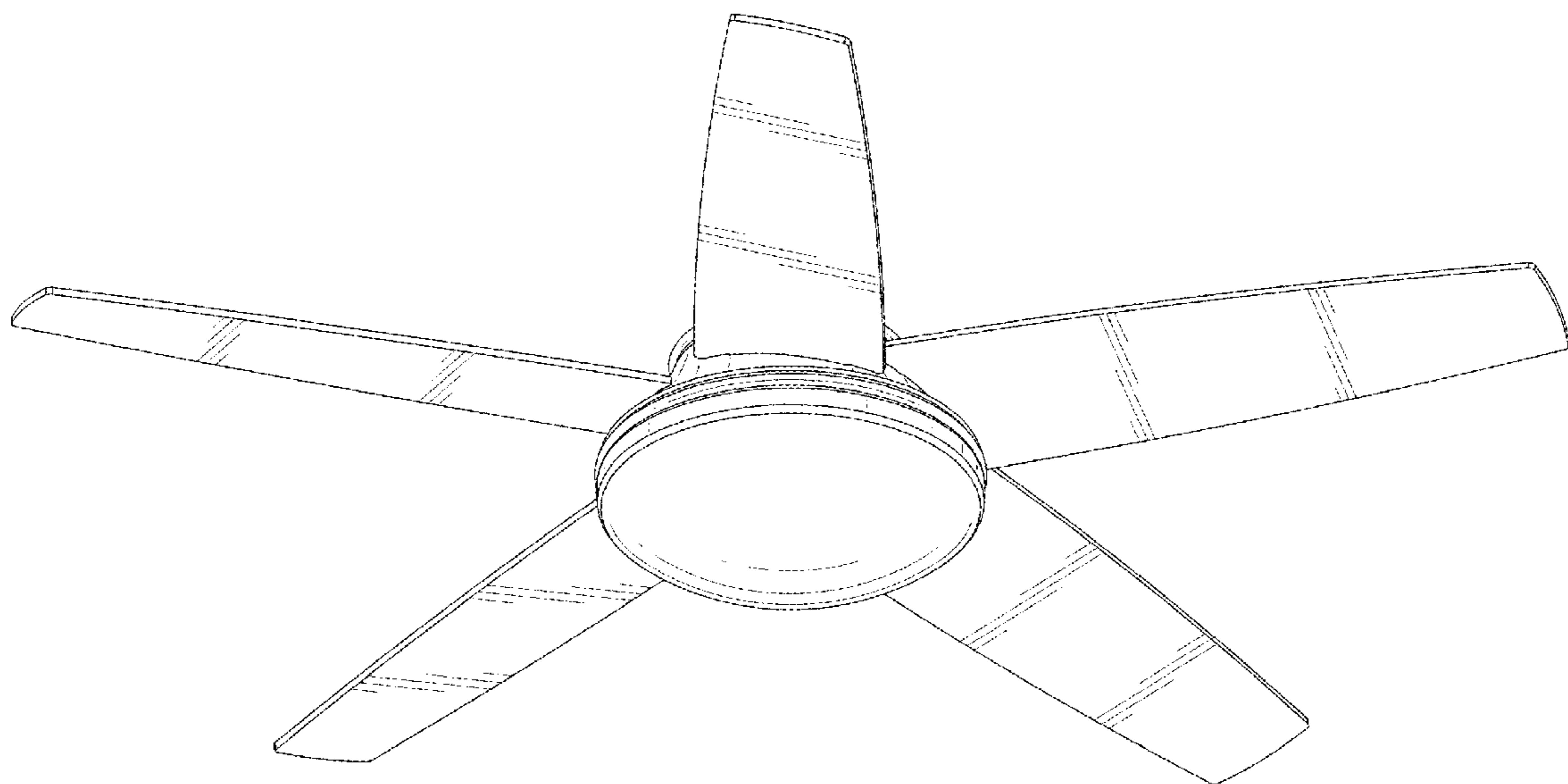
*Primary Examiner* — Cathron Brooks  
*Assistant Examiner* — Sharon S Oum  
 (74) *Attorney, Agent, or Firm* — Pai Patent & Trademark Law Firm; Chao-Chang David Pai

(57) **CLAIM**  
 The ornamental design for a ceiling fan, as shown and described.

**DESCRIPTION**

FIG. 1 is a front top perspective view of a ceiling fan showing my new design;  
 FIG. 2 is a front elevational view thereof;  
 FIG. 3 is a rear elevational view thereof;  
 FIG. 4 is a left side elevational view thereof;  
 FIG. 5 is a right side elevational view thereof;  
 FIG. 6 is a top plan view thereof;  
 FIG. 7 is a bottom plan view thereof; and,  
 FIG. 8 is a front bottom perspective view thereof.  
 The broken lines shown in the drawings illustrate portions of the ceiling fan and form no part of the claimed design.

**1 Claim, 6 Drawing Sheets**



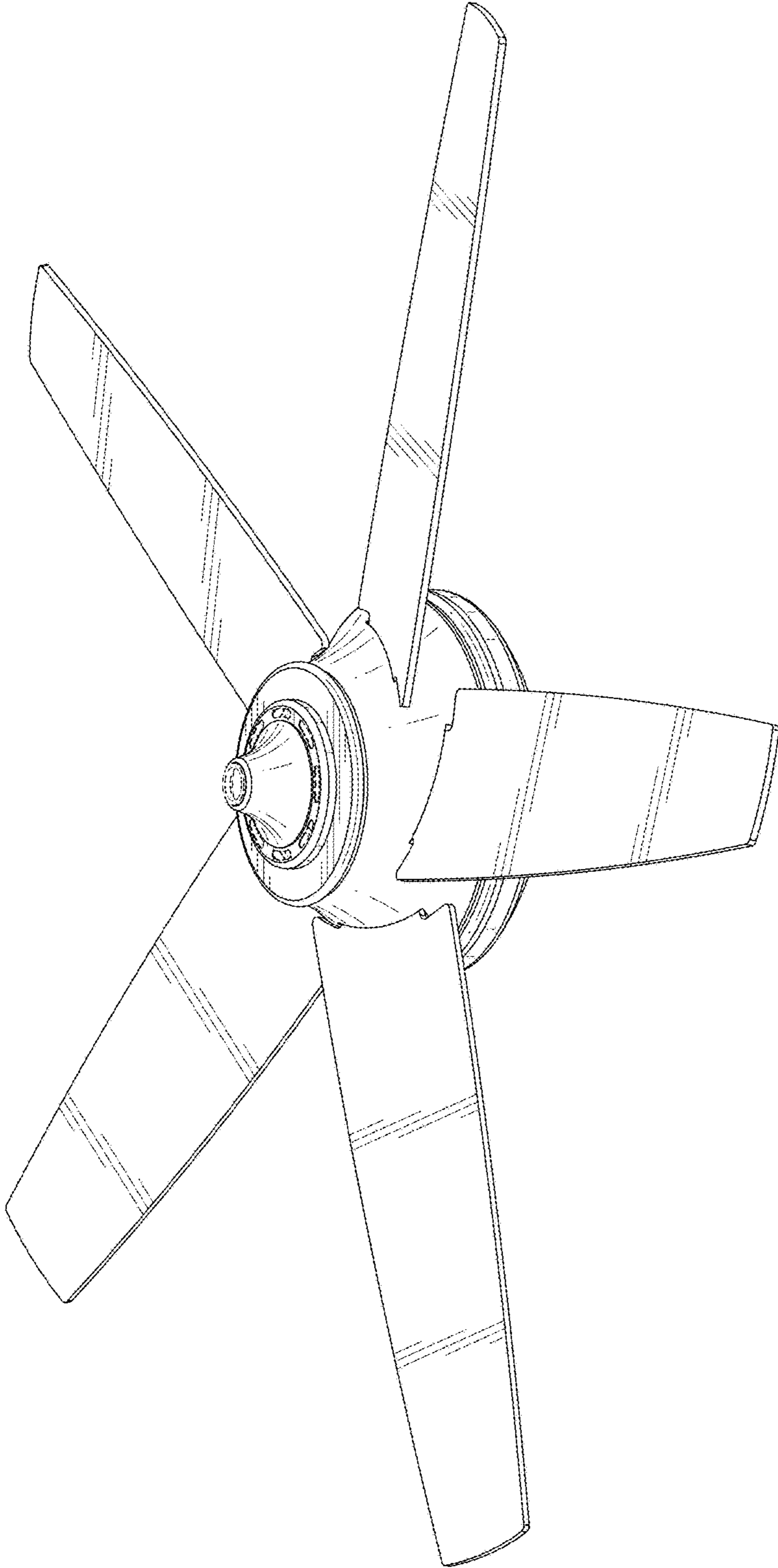


FIG. 1

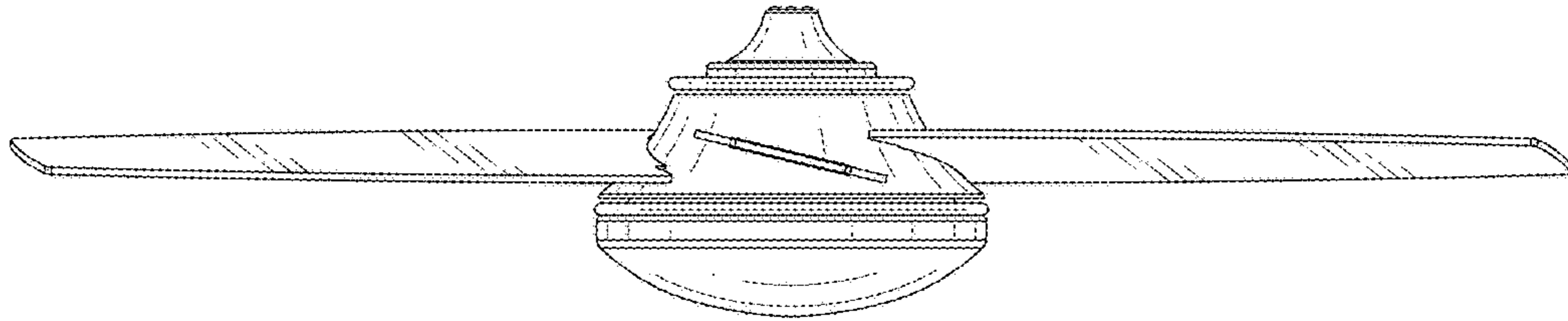


FIG. 2

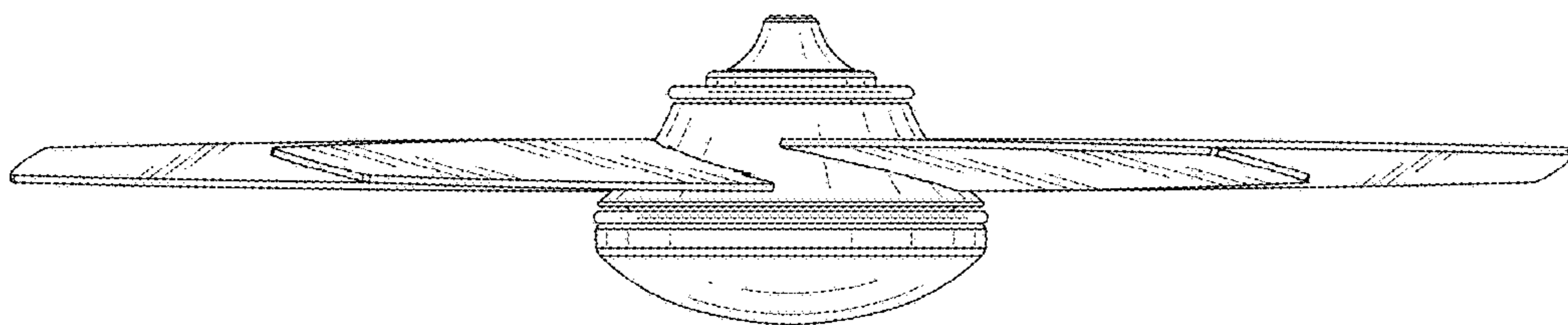


FIG. 3

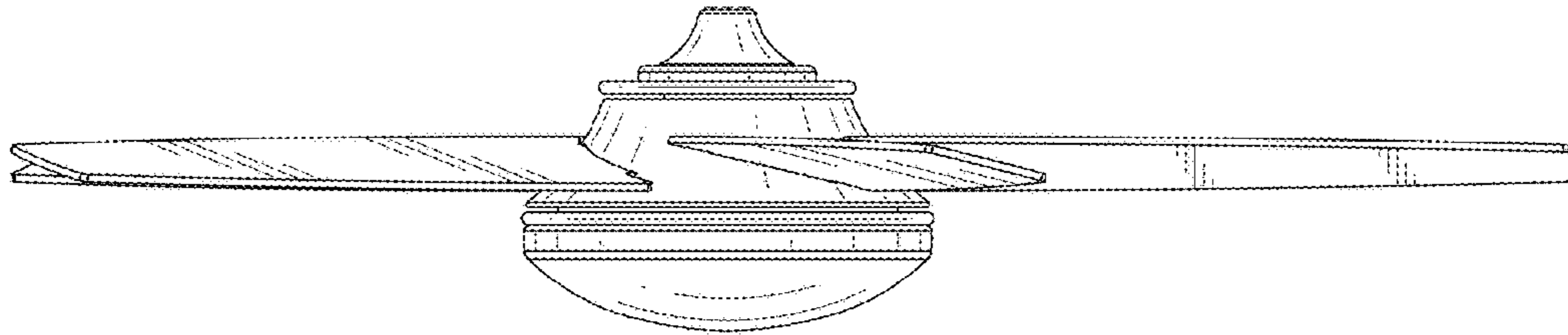


FIG. 4

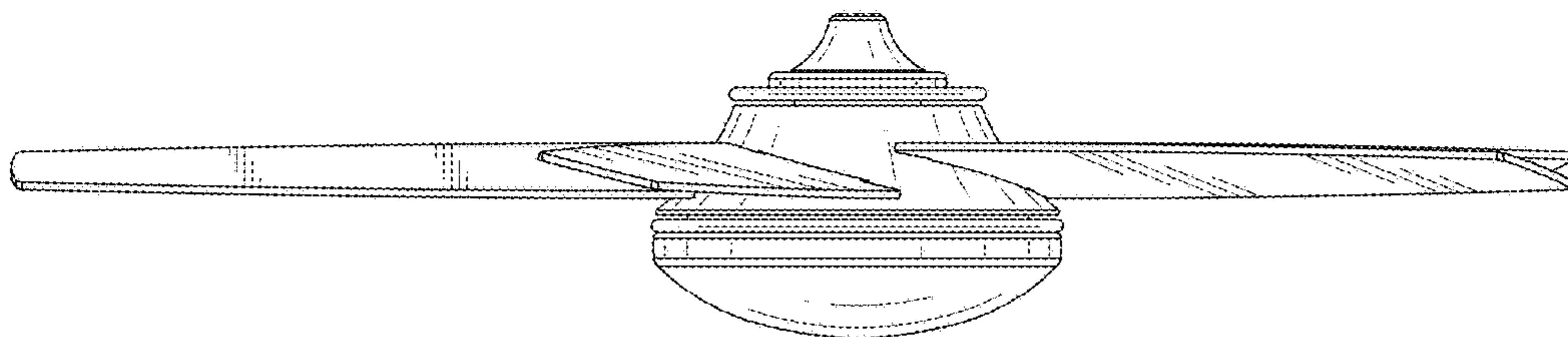


FIG. 5

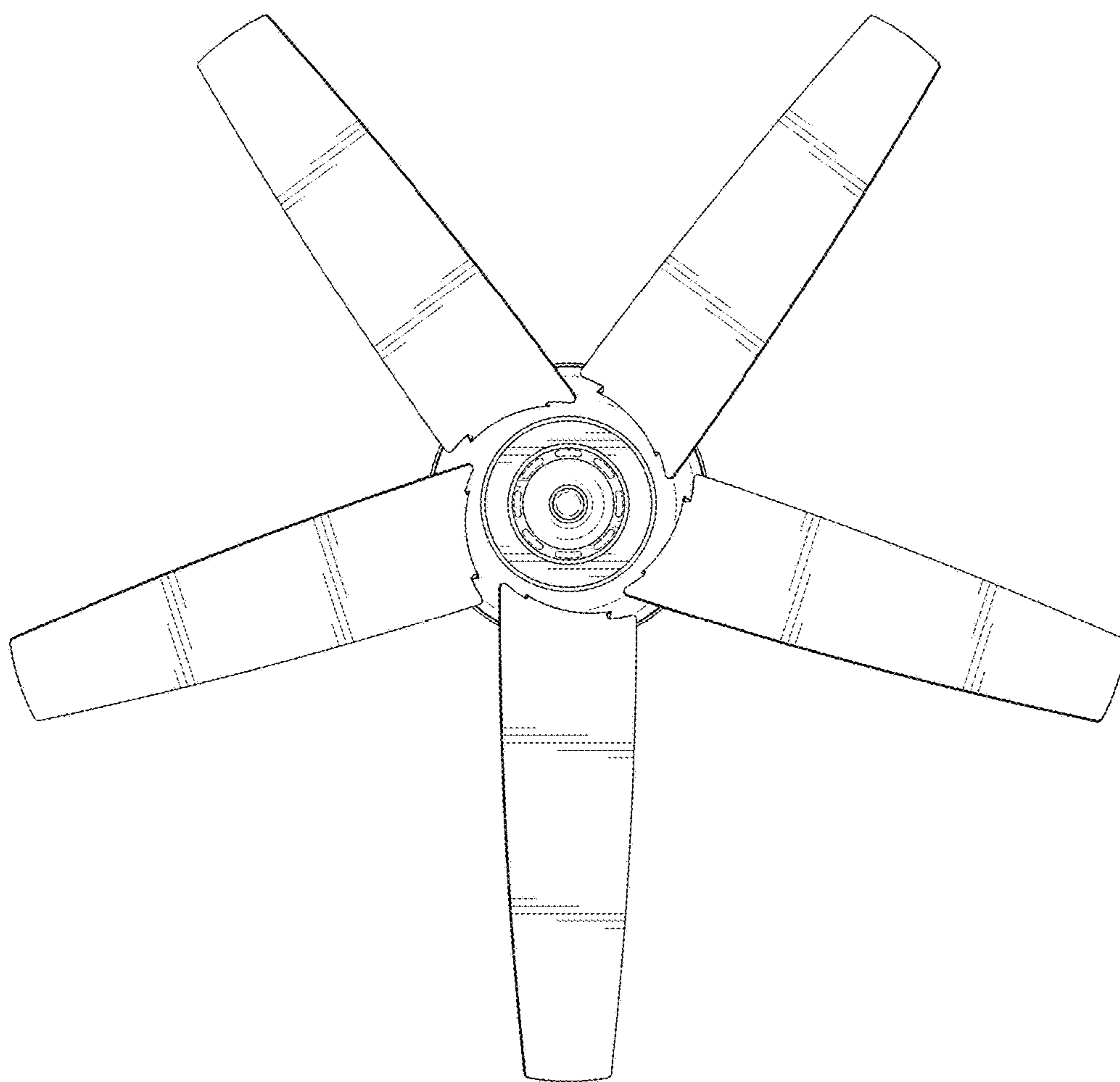


FIG. 6

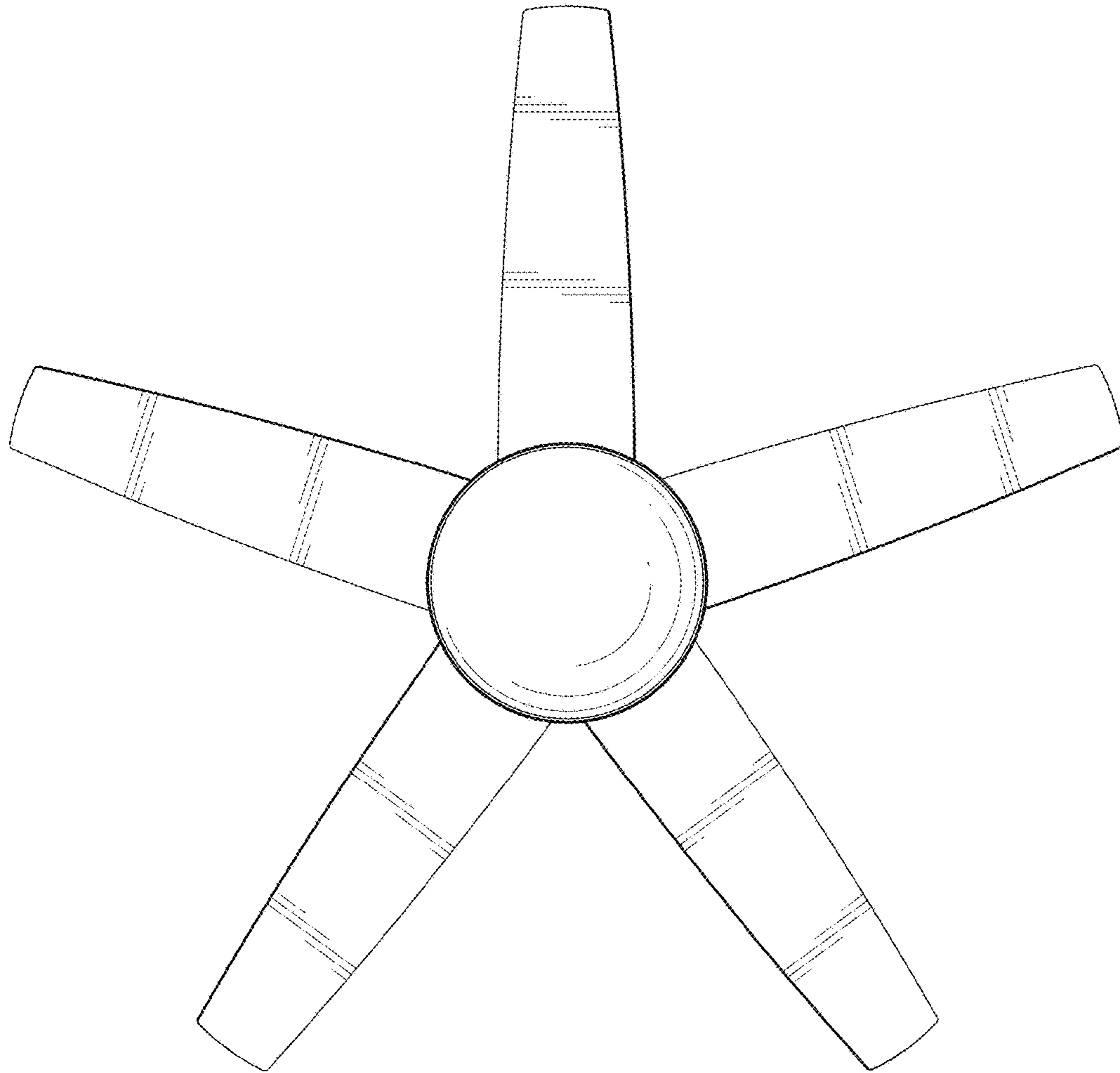


FIG. 7

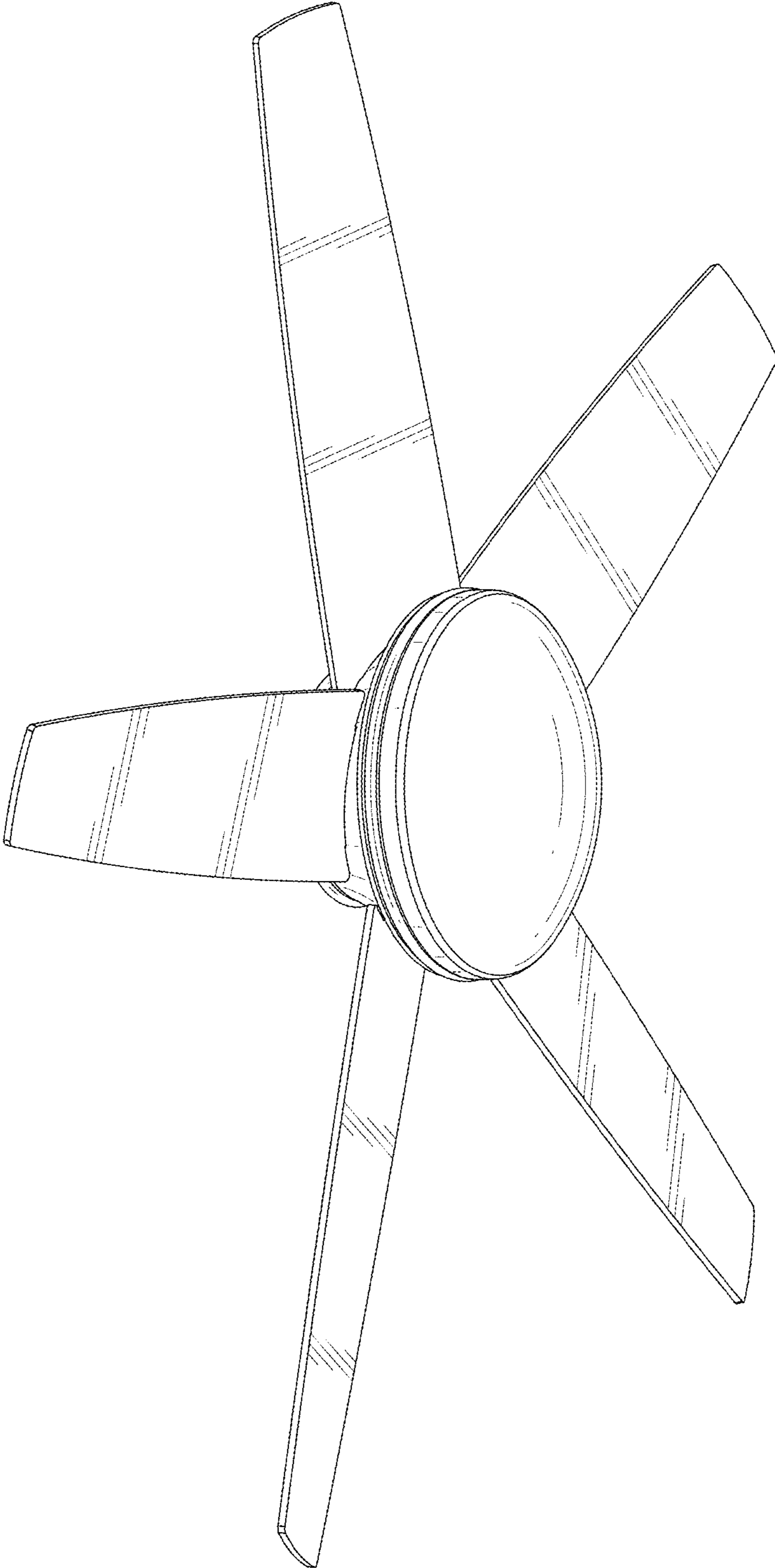


FIG. 8