



US00D789510S

(12) **United States Design Patent**
Wang

(10) **Patent No.:** **US D789,510 S**
(45) **Date of Patent:** **** Jun. 13, 2017**

(54) **COMBINATION CEILING FAN BLADE AND BRACKET**

D706,411 S * 6/2014 Wang D23/413
D707,808 S * 6/2014 Wang D23/377
D774,175 S * 12/2016 Wang D23/385

(71) Applicant: **YOUNGO LIMITED**, Hong Kong (CN)

* cited by examiner

(72) Inventor: **Cliff Wang**, Taichung (TW)

Primary Examiner — Cathron Brooks

(73) Assignee: **YOUNGO LIMITED**, Hong Kong (CN)

Assistant Examiner — Sharon S Oum

(74) *Attorney, Agent, or Firm* — Pai Patent & Trademark Law Firm; Chao-Chang David Pai

(**) Term: **15 Years**

(57) **CLAIM**

(21) Appl. No.: **29/552,497**

The ornamental design for a combination ceiling fan blade and bracket, as shown and described.

(22) Filed: **Jan. 22, 2016**

(51) **LOC (10) Cl.** **23-04**

(52) **U.S. Cl.**

USPC **D23/377**; D23/411; D23/413

(58) **Field of Classification Search**

USPC D23/355, 370–387, 411–414; D26/59; D12/214

CPC F04D 25/088; F21V 33/0096

See application file for complete search history.

DESCRIPTION

FIG. 1 is a front top perspective view of a combination ceiling fan blade and bracket showing my new design; FIG. 2 is a front elevational view thereof; FIG. 3 is a rear elevational view thereof; FIG. 4 is a left side elevational view thereof; FIG. 5 is a right side elevational view thereof; FIG. 6 is a top plan view thereof; FIG. 7 is a bottom plan view thereof; and, FIG. 8 is a front bottom perspective view thereof.

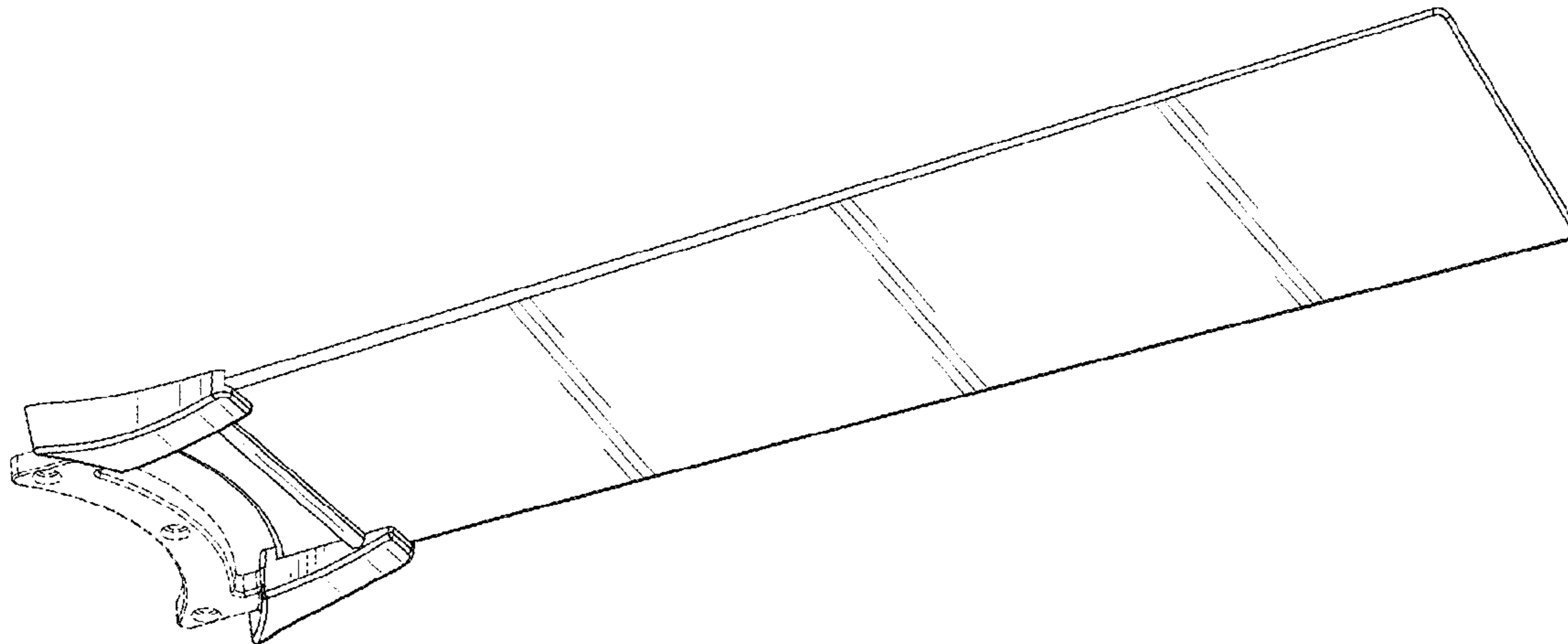
The broken lines are for the purpose of illustrating environmental structure and form no part of the claimed design.

(56) **References Cited**

U.S. PATENT DOCUMENTS

D594,542 S * 6/2009 Pan D23/377
D633,611 S * 3/2011 Pan D23/377

1 Claim, 5 Drawing Sheets



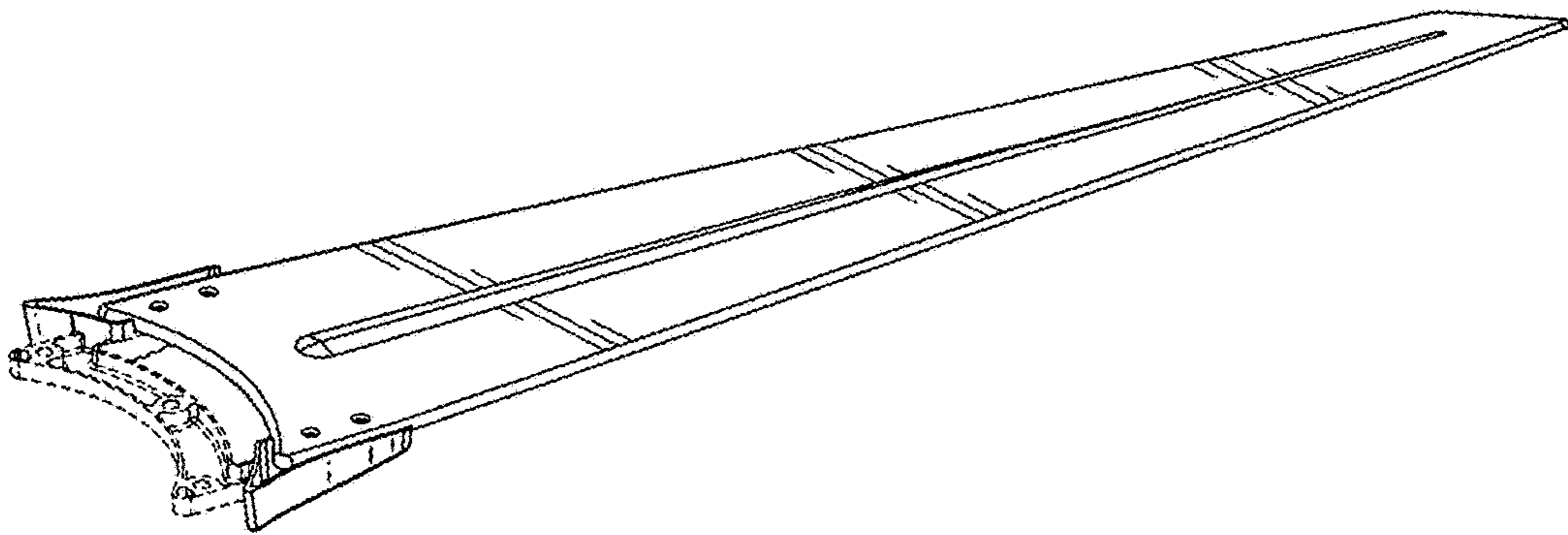


FIG. 1

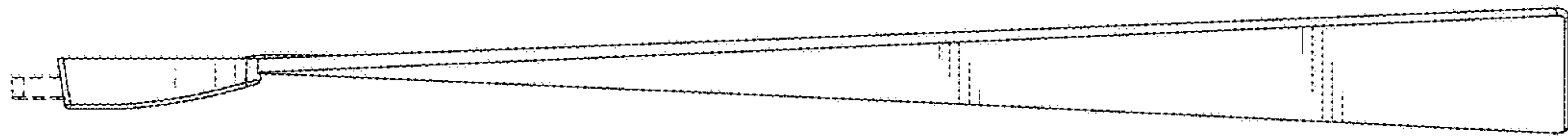


FIG. 2

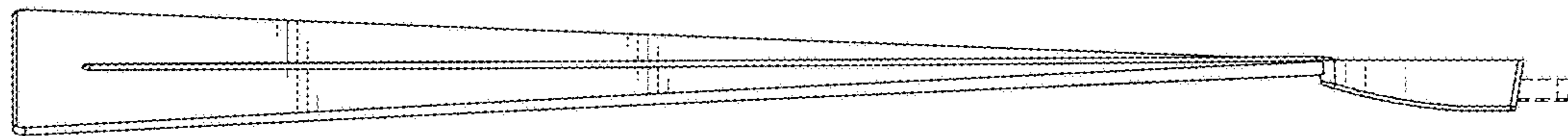


FIG. 3

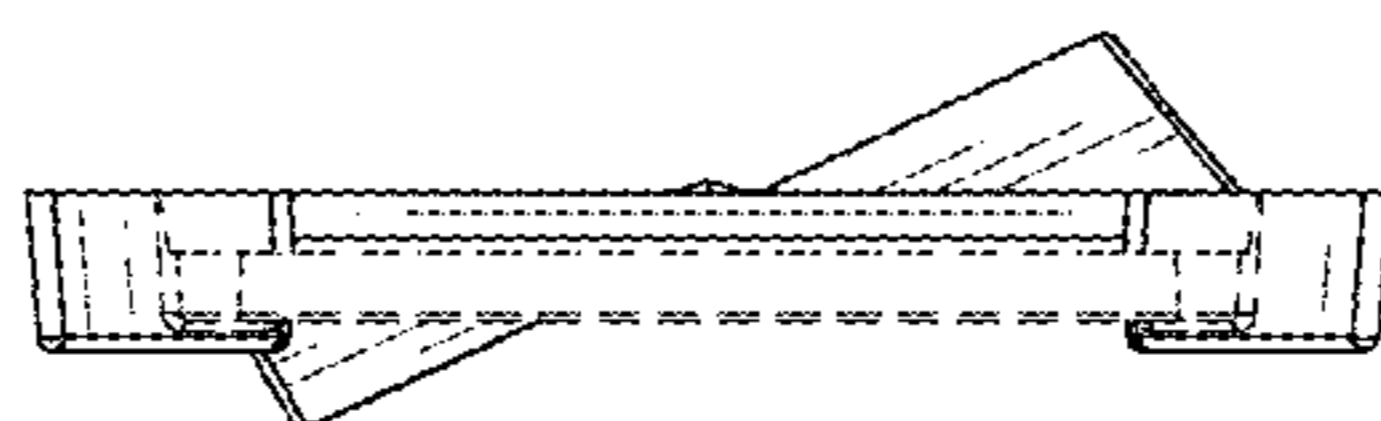


FIG. 4

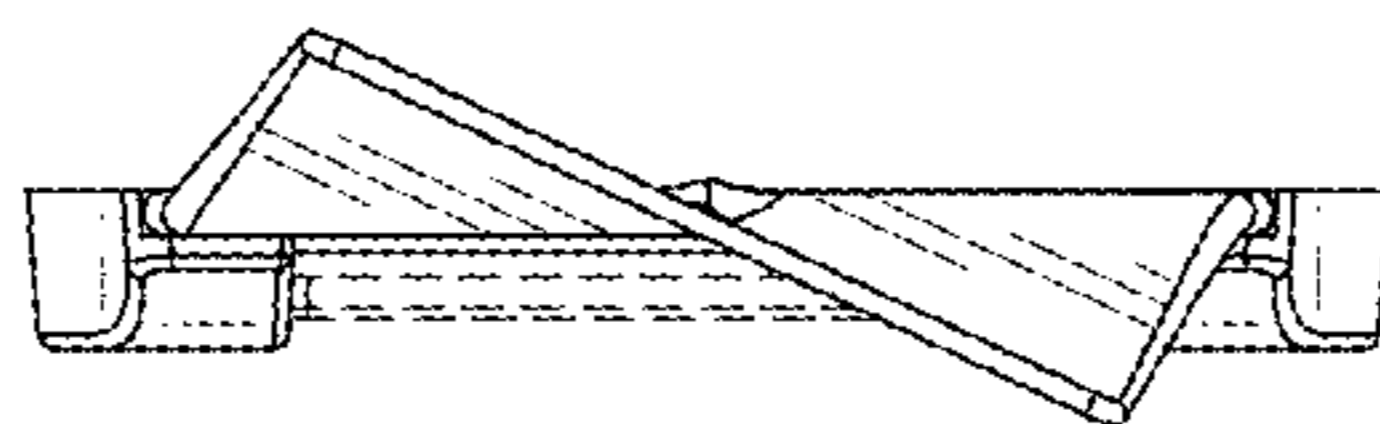


FIG. 5

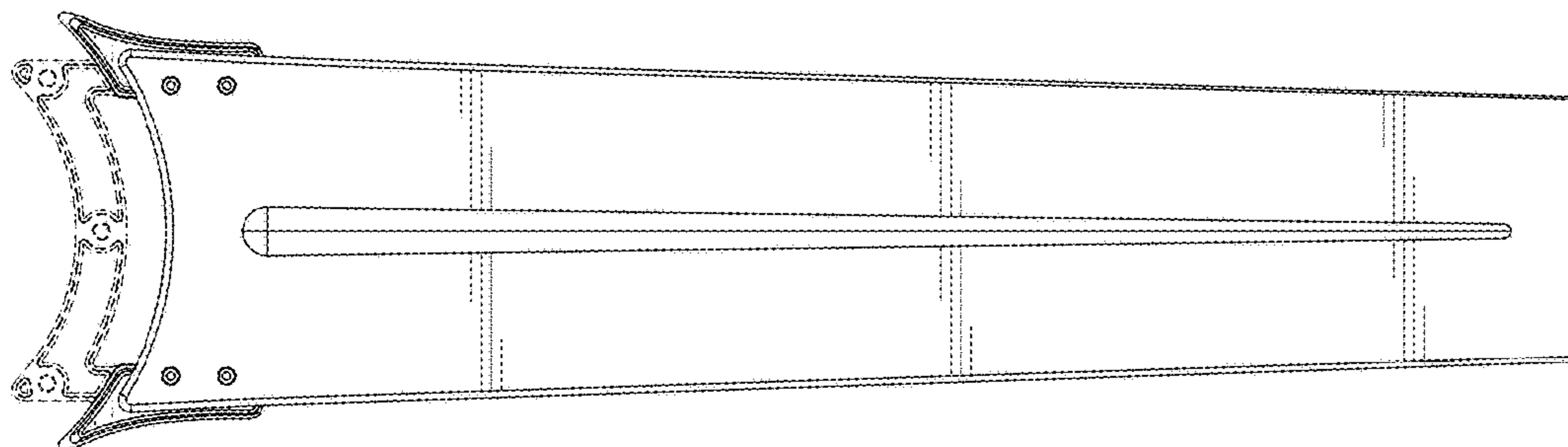


FIG. 6

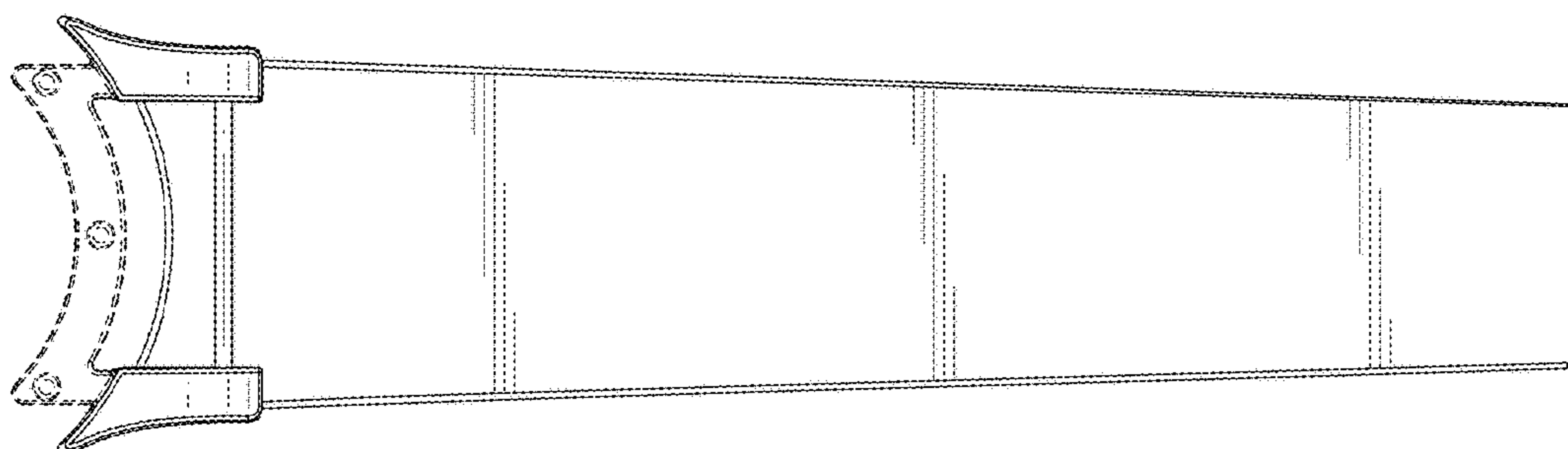


FIG. 7

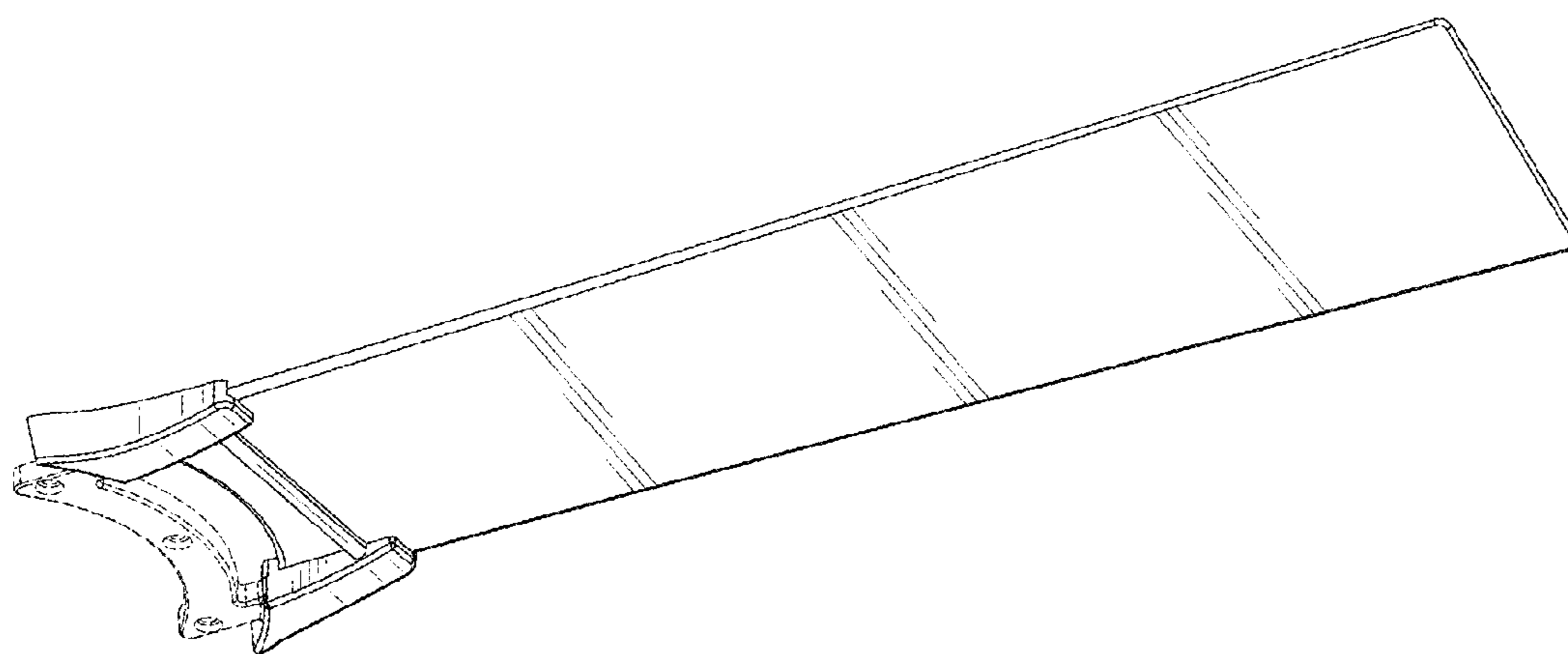


FIG. 8