



US00D789509S

(12) **United States Design Patent**
Wang

(10) **Patent No.:** **US D789,509 S**

(45) **Date of Patent:** **** Jun. 13, 2017**

(54) **CEILING FAN**

(71) Applicant: **YOUNGO LIMITED**, Hong Kong
(CN)

(72) Inventor: **Cliff Wang**, Taichung (TW)

(73) Assignee: **YOUNGO LIMITED**, Hong Kong
(CN)

(**) Term: **15 Years**

(21) Appl. No.: **29/552,493**

(22) Filed: **Jan. 22, 2016**

(51) **LOC (10) Cl.** **23-04**

(52) **U.S. Cl.**
USPC **D23/377**

(58) **Field of Classification Search**
USPC D23/355, 370-387, 411-414; D26/59;
D12/214; D10/13, 17, 31-32
CPC F04D 25/088; F21V 33/0096
See application file for complete search history.

(56) **References Cited**

U.S. PATENT DOCUMENTS

D573,898 S *	7/2008	Goldberg	D10/31
D594,542 S *	6/2009	Pan	D23/377
D633,611 S *	3/2011	Pan	D23/377
D668,968 S *	10/2012	Duport	D10/32
D678,997 S *	3/2013	Gajewski	D23/372
D772,393 S *	11/2016	Wang	D23/377

D774,175 S *	12/2016	Wang	D23/385
2012/0177496 A1 *	7/2012	Gajewski	F04D 25/088 416/204 R
2015/0077567 A1 *	3/2015	Scalisi	H04N 5/23238 348/152

* cited by examiner

Primary Examiner — Cathron Brooks

Assistant Examiner — Sharon S Oum

(74) *Attorney, Agent, or Firm* — Pai Patent & Trademark
Law Firm; Chao-Chang David Pai

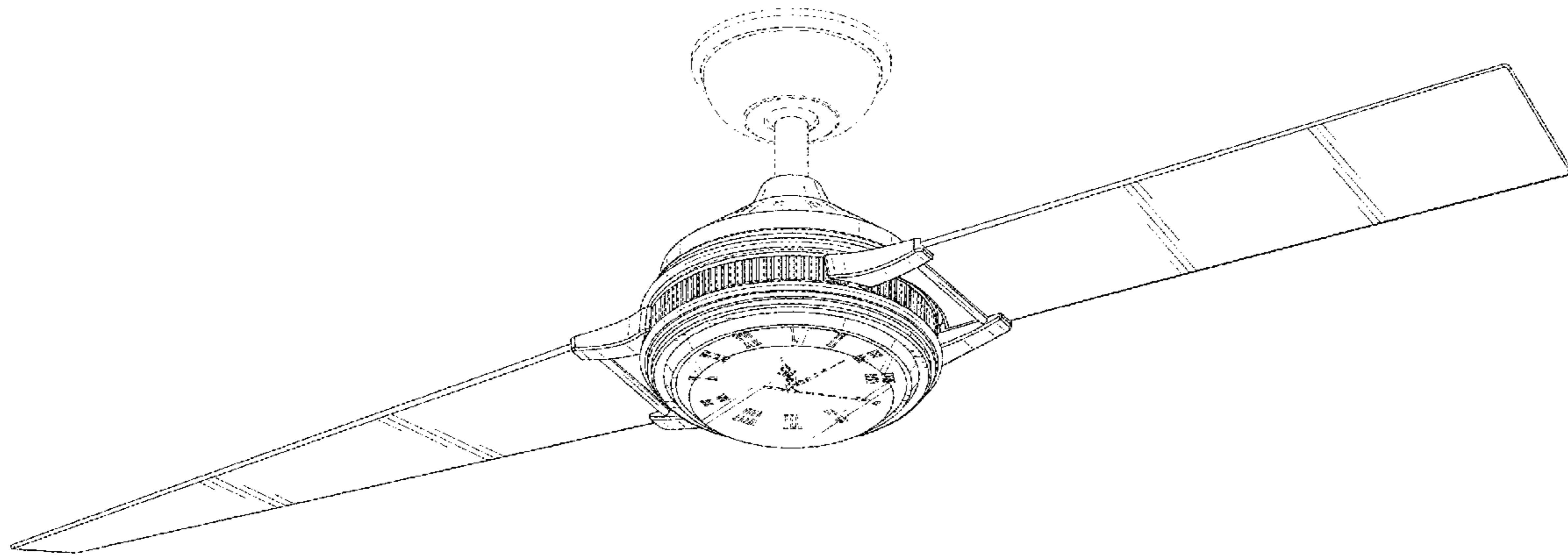
(57) **CLAIM**

The ornamental design for a ceiling fan, as shown and described.

DESCRIPTION

FIG. 1 is a front top perspective view of a ceiling fan showing my new design;
FIG. 2 is a front elevational view thereof;
FIG. 3 is a rear elevational view thereof;
FIG. 4 is a left side elevational view thereof;
FIG. 5 is a right side elevational view thereof;
FIG. 6 is a top plan view thereof;
FIG. 7 is a bottom plan view thereof; and,
FIG. 8 is a front bottom perspective view thereof.
The broken lines are for the purpose of illustrating environmental structure and form no part of the claimed design.

1 Claim, 5 Drawing Sheets



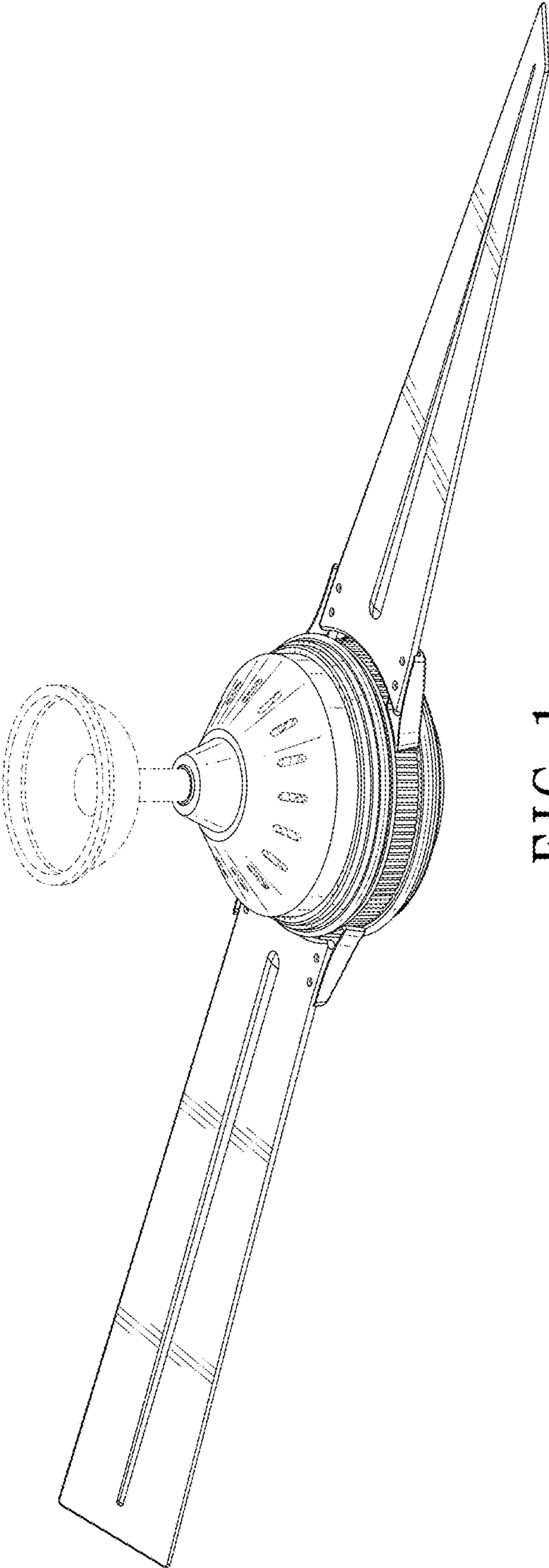


FIG. 1

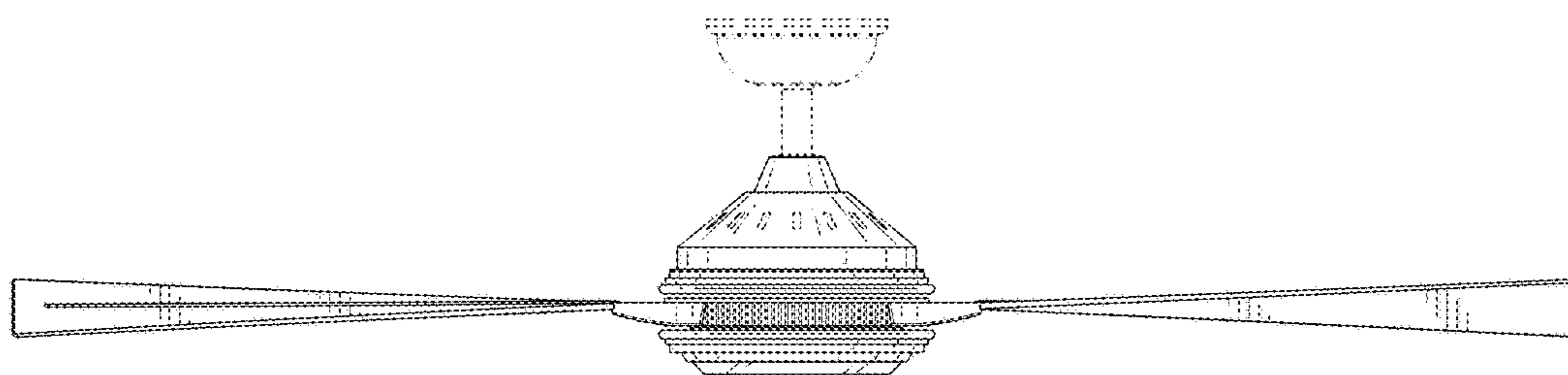


FIG. 2

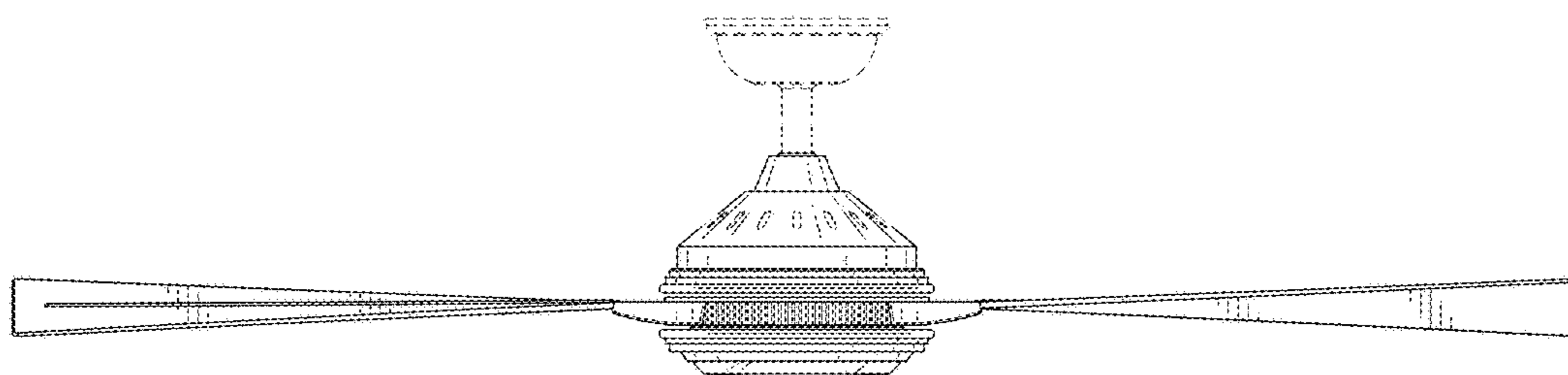


FIG. 3

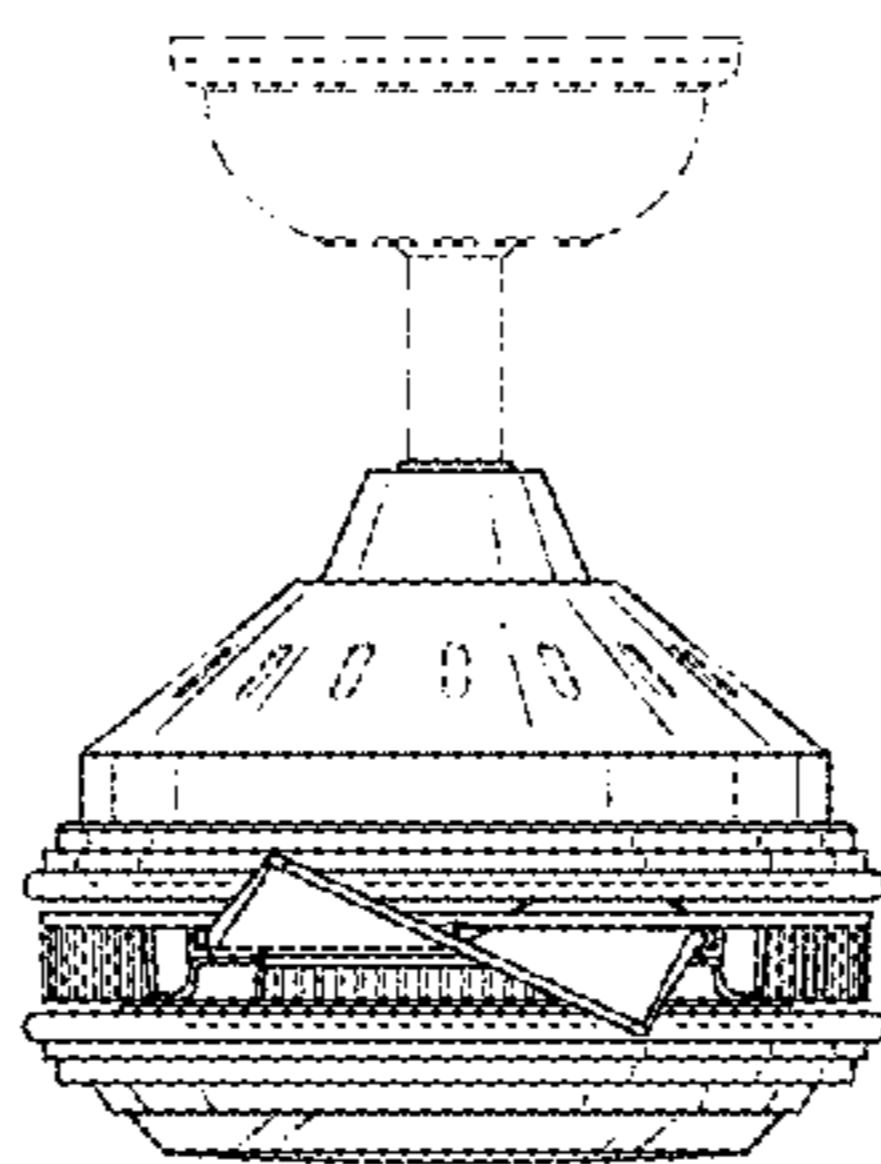


FIG. 4

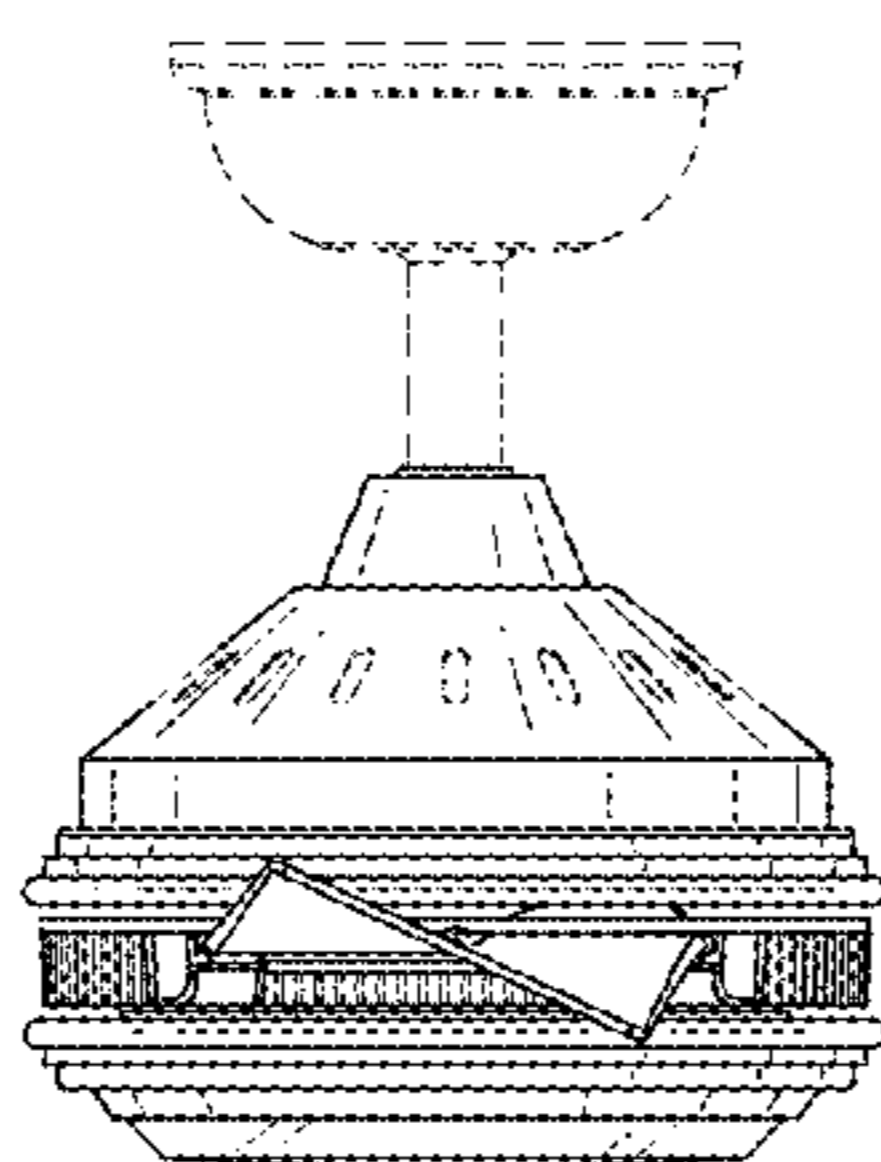


FIG. 5

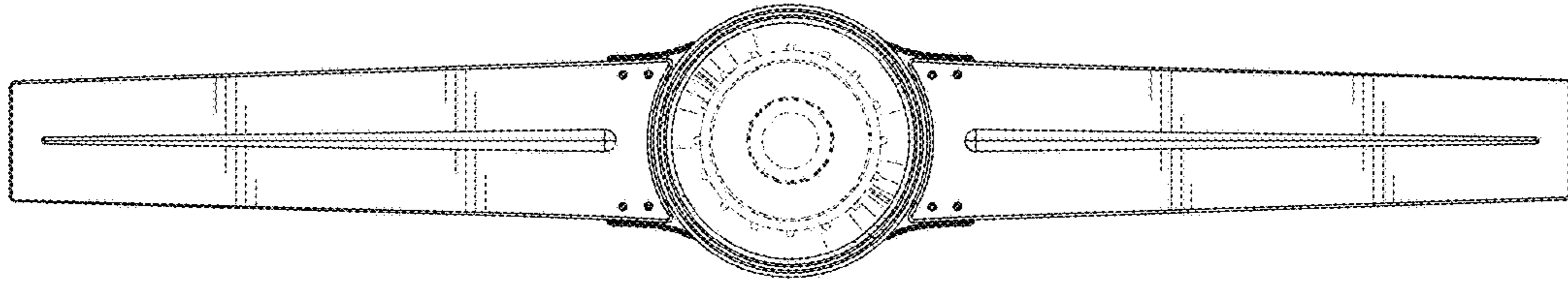


FIG. 6

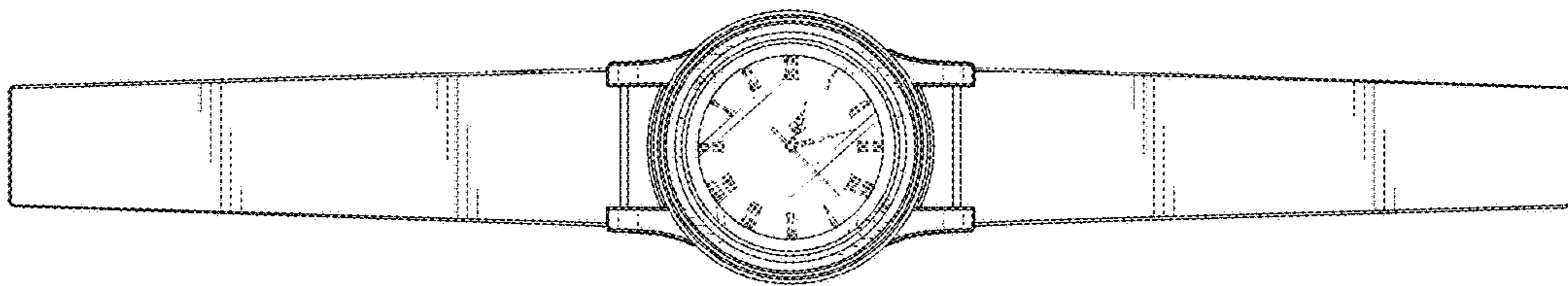


FIG. 7

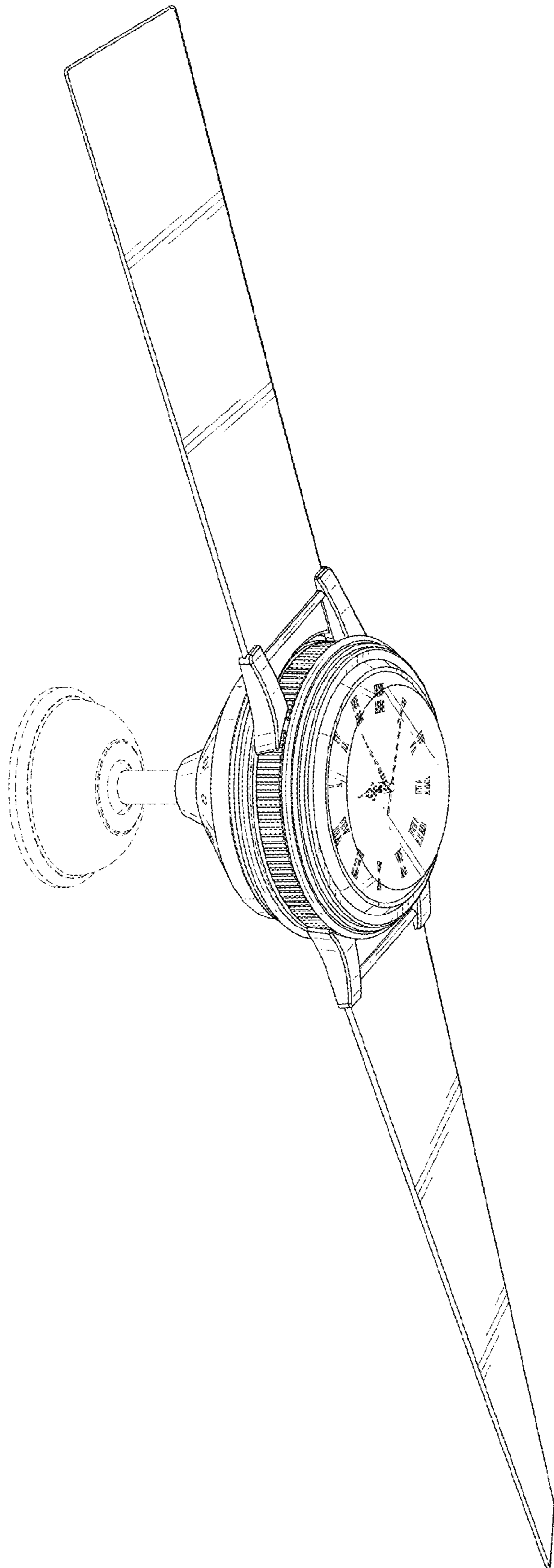


FIG. 8