



US00D789508S

(12) **United States Design Patent** (10) **Patent No.:** **US D789,508 S**
Wang (45) **Date of Patent:** **** Jun. 13, 2017**

(54) **COMBINATION CEILING FAN BLADES AND FAN BLADE BRACKET**

(71) Applicant: **YOUNGO LIMITED**, Hong Kong (CN)

(72) Inventor: **Cliff Wang**, Taichung (TW)

(73) Assignee: **YOUNGO LIMITED**, Hong Kong (CN)

(**) Term: **15 Years**

(21) Appl. No.: **29/549,188**

(22) Filed: **Dec. 18, 2015**

(51) **LOC (10) Cl.** **23-04**

(52) **U.S. Cl.**
USPC **D23/377; D23/413**

(58) **Field of Classification Search**
USPC D23/355, 370-387, 411-414; D26/59; D12/214
CPC F04D 25/088; F21V 33/0096
See application file for complete search history.

(56) **References Cited**

U.S. PATENT DOCUMENTS

D121,201 S *	6/1940	Horton	416/234
D357,978 S *	5/1995	Young	D23/377
D475,775 S *	6/2003	Da Costa	D23/377
D509,295 S *	9/2005	Stauffer	D23/413
D515,196 S *	2/2006	Indio da Costa	D23/377
D519,199 S *	4/2006	Gajewski	D23/377
D629,501 S *	12/2010	Liu	D23/377

D680,210 S *	4/2013	Chan	D23/377
D692,120 S *	10/2013	Noble	D23/385
2003/0190234 A1 *	10/2003	Huang	F04D 29/384 416/228
2015/0110625 A1 *	4/2015	De Siqueira Indio Da Costa	F24F 5/0035 416/5

* cited by examiner

Primary Examiner — Cathron Brooks

Assistant Examiner — Sharon S Oum

(74) *Attorney, Agent, or Firm* — Pai Patent & Trademark Law Firm; Chao-Chang David Pai

(57) **CLAIM**

The ornamental design for a combination of ceiling fan blades and fan blade bracket, as shown and described.

DESCRIPTION

FIG. 1 is a front top perspective view of a combination of ceiling fan blades and fan blade bracket showing my new design;

FIG. 2 is a front elevational view thereof;

FIG. 3 is a rear elevational view thereof;

FIG. 4 is a left side elevational view thereof;

FIG. 5 is a right side elevational view thereof;

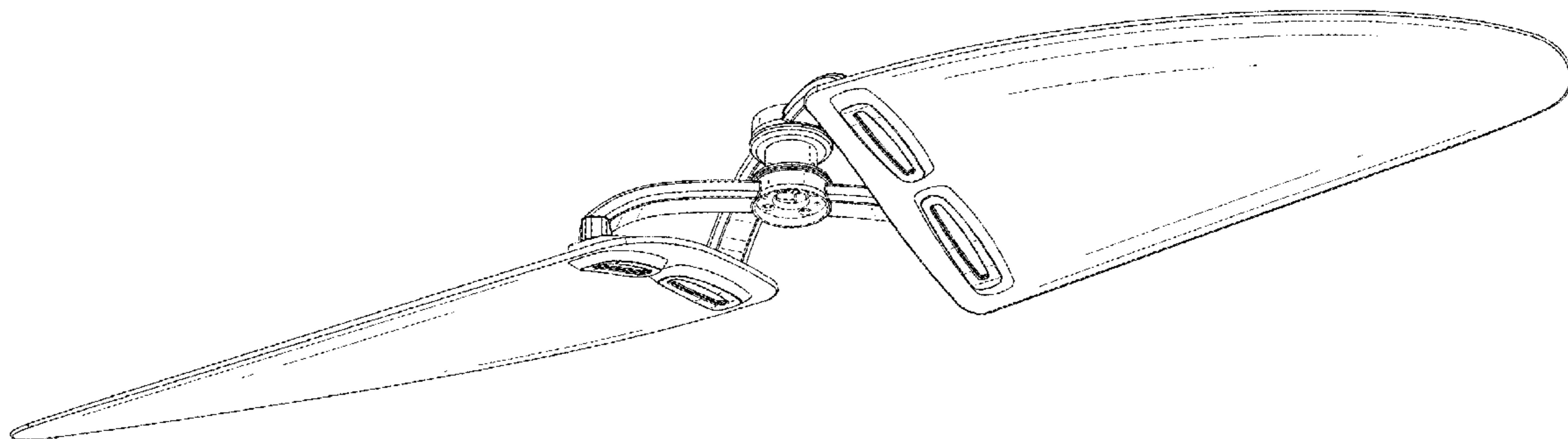
FIG. 6 is a top plan view thereof;

FIG. 7 is a bottom plan view thereof; and,

FIG. 8 is a front bottom perspective view thereof.

The broken lines are for the purpose of illustrating environmental structure and form no part of the claimed design.

1 Claim, 5 Drawing Sheets



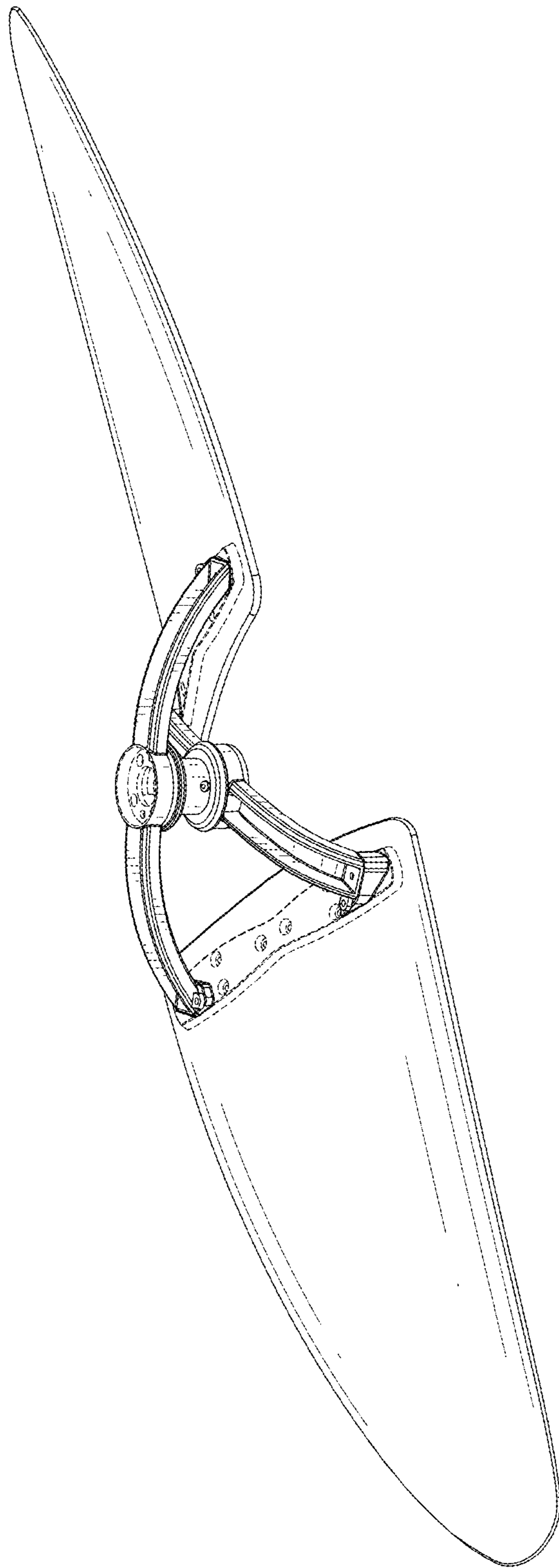


FIG. 1

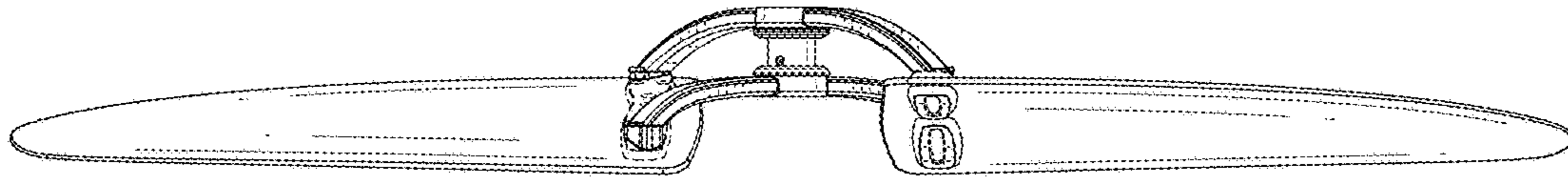


FIG. 2

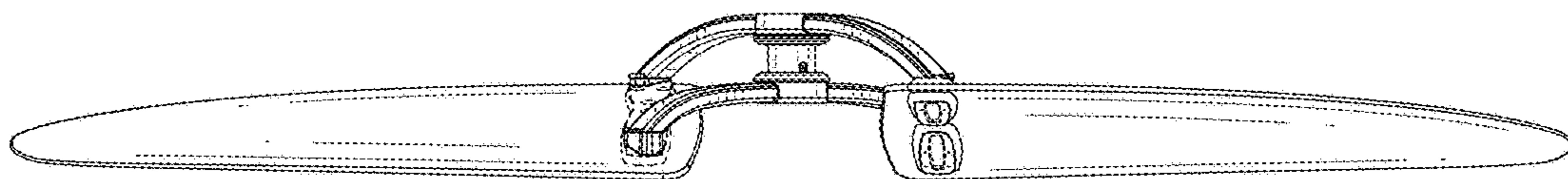


FIG. 3

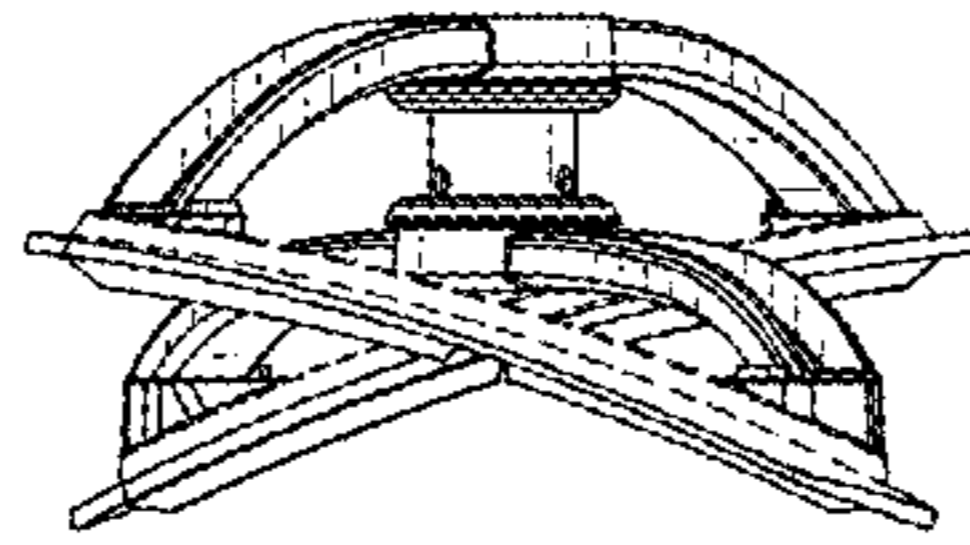


FIG. 4

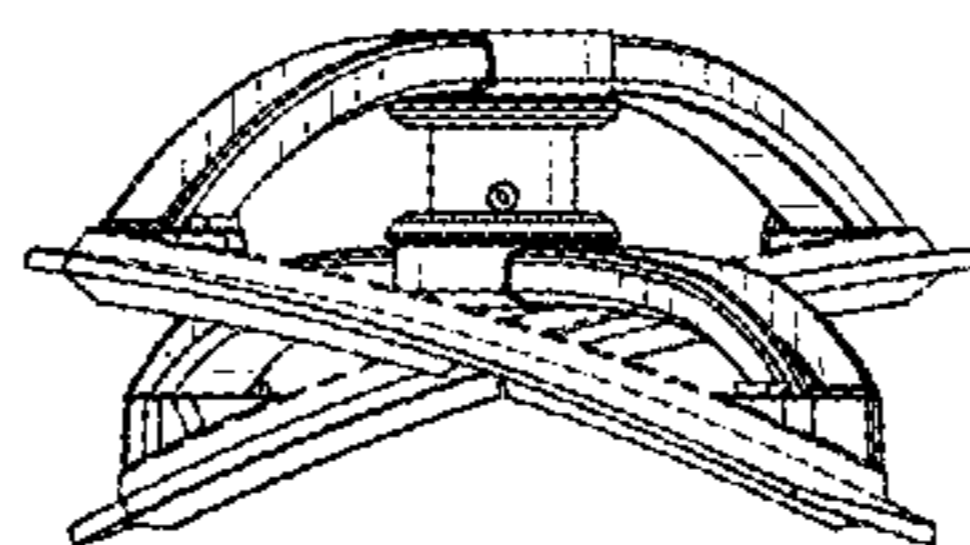


FIG. 5

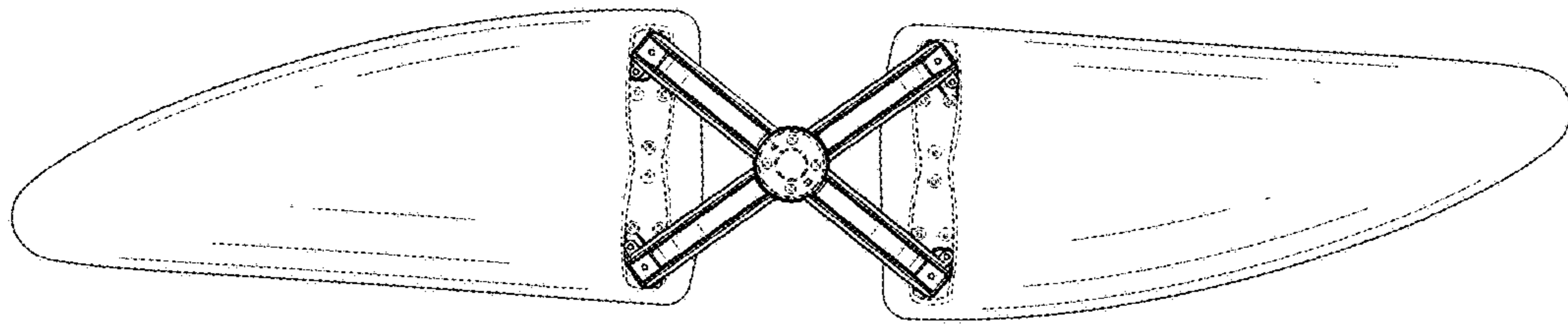


FIG. 6

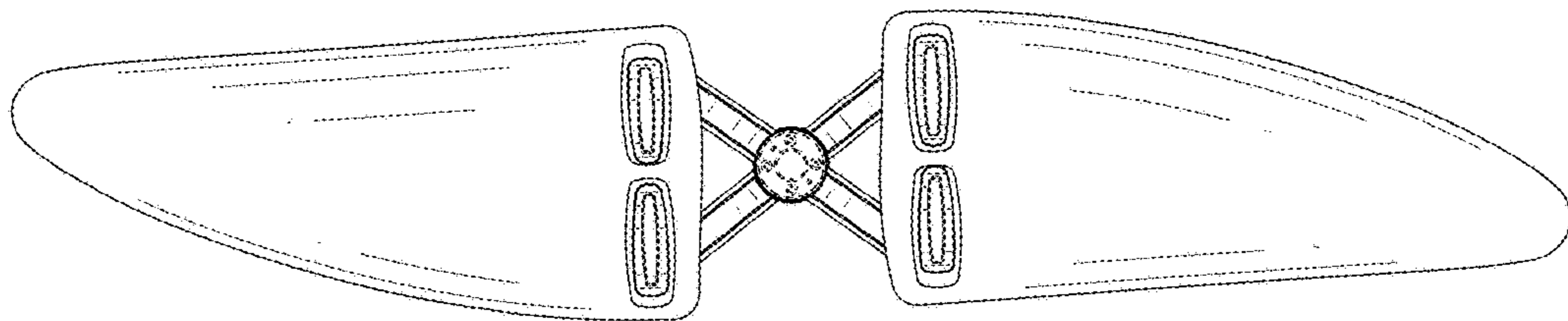


FIG. 7

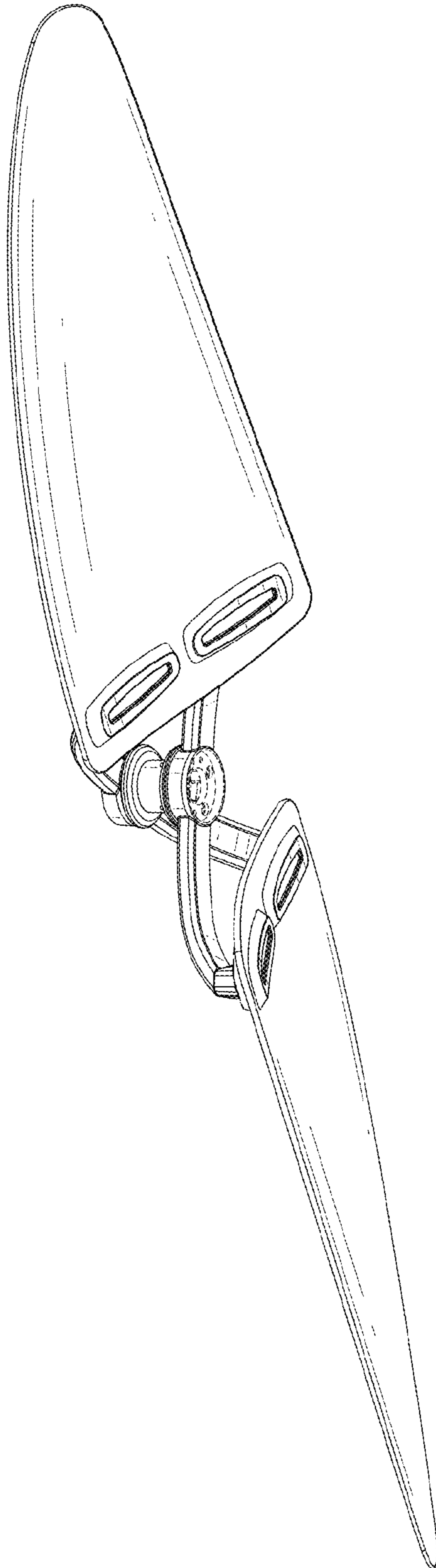


FIG. 8