



US00D789507S

(12) **United States Design Patent**
Badarello et al.

(10) **Patent No.:** **US D789,507 S**
(45) **Date of Patent:** **** Jun. 13, 2017**

- (54) **CEILING FAN**
- (71) Applicant: **Hunter Fan Company**, Memphis, TN (US)
- (72) Inventors: **Christophe Badarello**, Holly Springs, MS (US); **Ben Guthrie**, Memphis, TN (US)
- (73) Assignee: **Hunter Fan Company**, Memphis, TN (US)
- (**) Term: **14 Years**

4,657,485 A *	4/1987	Hartwig	F04D 29/703 362/96
4,750,863 A *	6/1988	Scoggins	F24F 13/28 416/146 R
4,818,183 A *	4/1989	Schaefer	F04D 29/70 416/247 R
D315,404 S *	3/1991	Dufour	D23/377
5,240,378 A *	8/1993	Janisse	B65D 81/051 206/320
5,660,367 A *	8/1997	Rush	F16M 1/00 248/302
D426,879 S *	6/2000	Gajewski	D23/377
6,193,384 B1 *	2/2001	Stein	F04D 25/088 362/812

(Continued)

- (21) Appl. No.: **29/512,774**
- (22) Filed: **Dec. 22, 2014**
- (51) **LOC (10) Cl.** **23-04**
- (52) **U.S. Cl.**
USPC **D23/377; D23/411**
- (58) **Field of Classification Search**
USPC D23/370, 381, 382, 377, 379, 385, 387,
D23/411-414, 499; 416/1, 5, 170 R,
416/214 R, 184, 206, 207, 210 R, 220 R,
416/244 R, 248; 392/364; D26/59, 51,
D26/72, 73, 80-86, 88, 90
CPC F04D 25/088; F04D 29/601; F04D 29/322;
F04D 29/324; F04D 29/38
See application file for complete search history.

(56) **References Cited**

U.S. PATENT DOCUMENTS

D128,142 S *	7/1941	Moskowitz	D23/382
2,259,853 A *	10/1941	Koch	F04D 29/703 416/247 R
D187,699 S *	4/1960	van Rijn	D23/379
3,347,452 A *	10/1967	Radcliffe	F04D 29/703 416/170 R
4,064,427 A *	12/1977	Hansen	F21S 8/065 362/96
4,342,073 A *	7/1982	Ranten	F04D 25/088 362/147

OTHER PUBLICATIONS

Ceiling Fan CN302082733 by Wang Congxiong (Design-© Questel). orbit.com [online PDF] 4 pages. Publish date ranges from Sep. 19, 2012 [retrieved on Feb. 26, 2016]. Retrieved from Internet: <<http://sobjprd.questel.fr/export/QPTUJ214/pdf2/390d2f15-22b6-490a-9baf-95d3f53c677a-202037.pdf>>.*

Primary Examiner — Susan Bennett Hattan
Assistant Examiner — Marie Fast Horse
(74) *Attorney, Agent, or Firm* — McGarry Bair PC

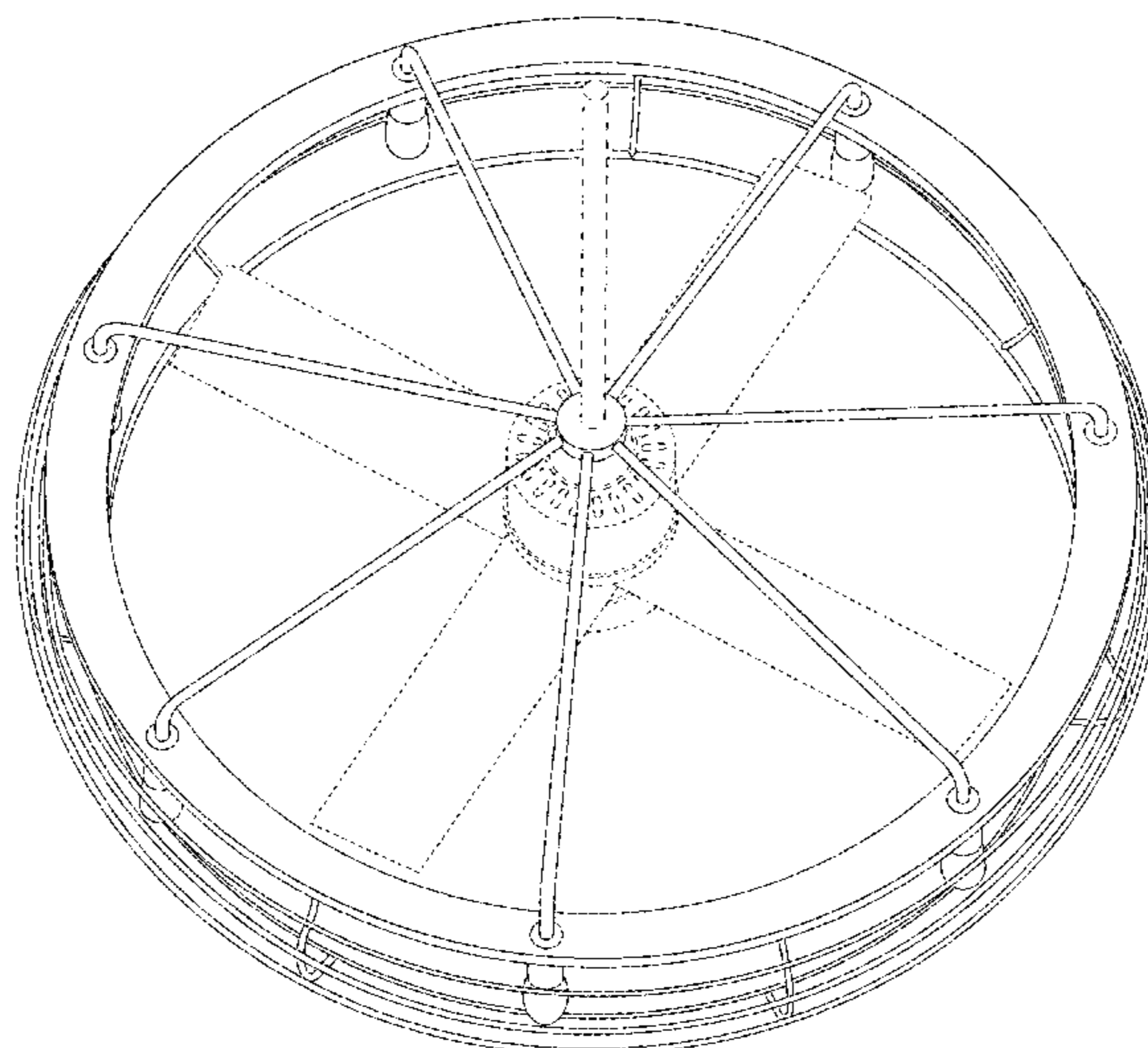
(57) **CLAIM**

Applicant claims the ornamental design for a ceiling fan, as shown and described.

DESCRIPTION

FIG. 1 is a perspective view of a ceiling fan showing our new design;
FIG. 2 is a front elevation view thereof;
FIG. 3 is a right side elevation view thereof;
FIG. 4 is a top view thereof; and,
FIG. 5 is a bottom view thereof.
Portions of the ceiling fan shown in broken lines form no part of the claimed design.

1 Claim, 5 Drawing Sheets



(56)

References Cited

U.S. PATENT DOCUMENTS

6,354,801 B1 * 3/2002 Gajewski F04D 25/088
415/121.2
D478,981 S * 8/2003 Frampton D23/411
D482,112 S * 11/2003 Miller D23/377
D493,217 S * 7/2004 Spina D23/377
D548,320 S * 8/2007 Frampton D23/411
D557,398 S * 12/2007 Moore D23/382
D605,333 S * 12/2009 Miranda D26/88
9,028,085 B2 * 5/2015 Todd, Jr. F04D 29/00
362/147
2009/0072108 A1 * 3/2009 Oleson F04D 25/088
248/282.1
2010/0316495 A1 * 12/2010 Todd, Jr. F04D 25/088
416/5
2013/0101416 A1 * 4/2013 Todd F04D 29/00
416/5
2013/0114245 A1 * 5/2013 Todd, Jr. F21V 33/0096
362/96

* cited by examiner

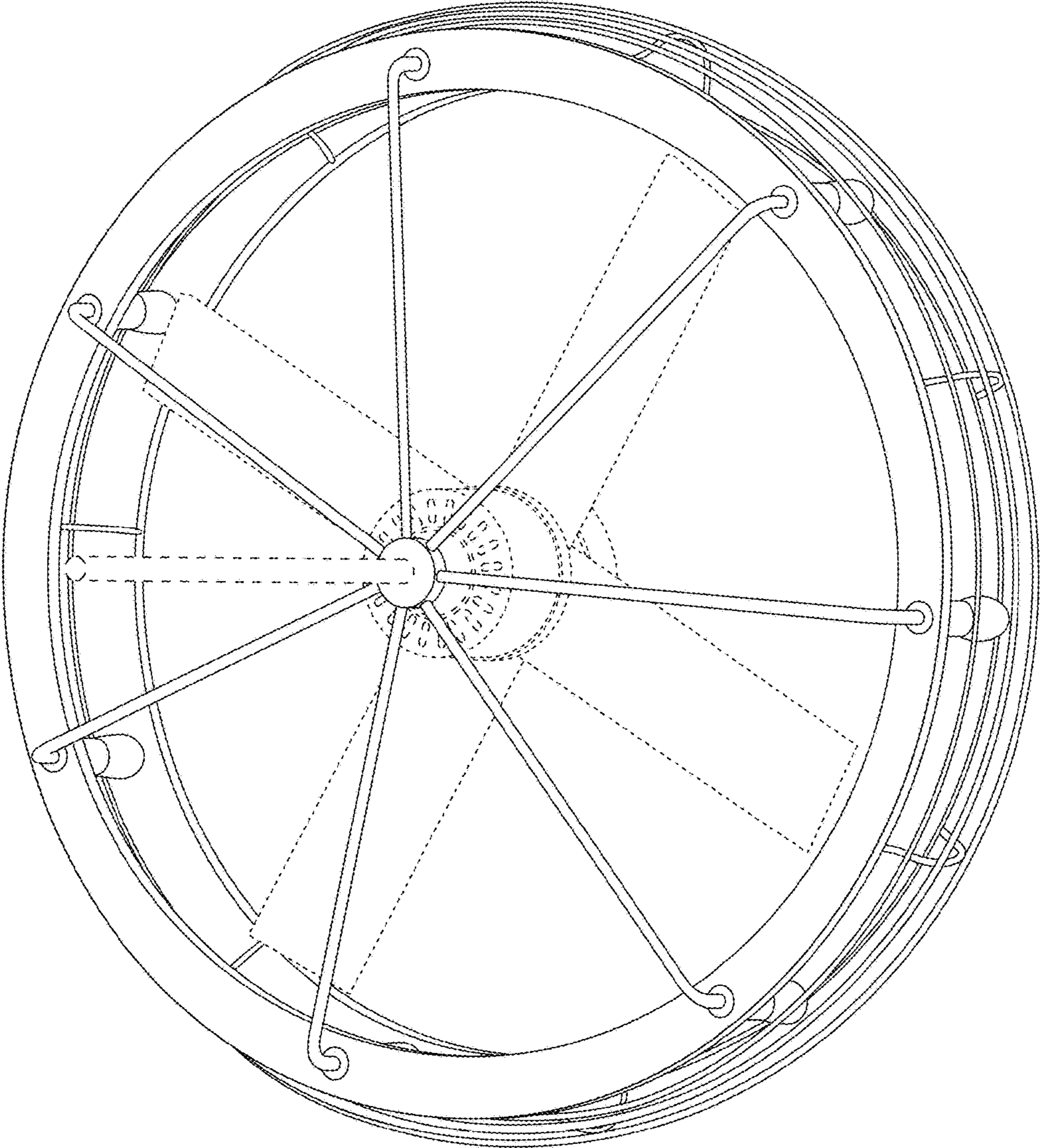


FIG. 1

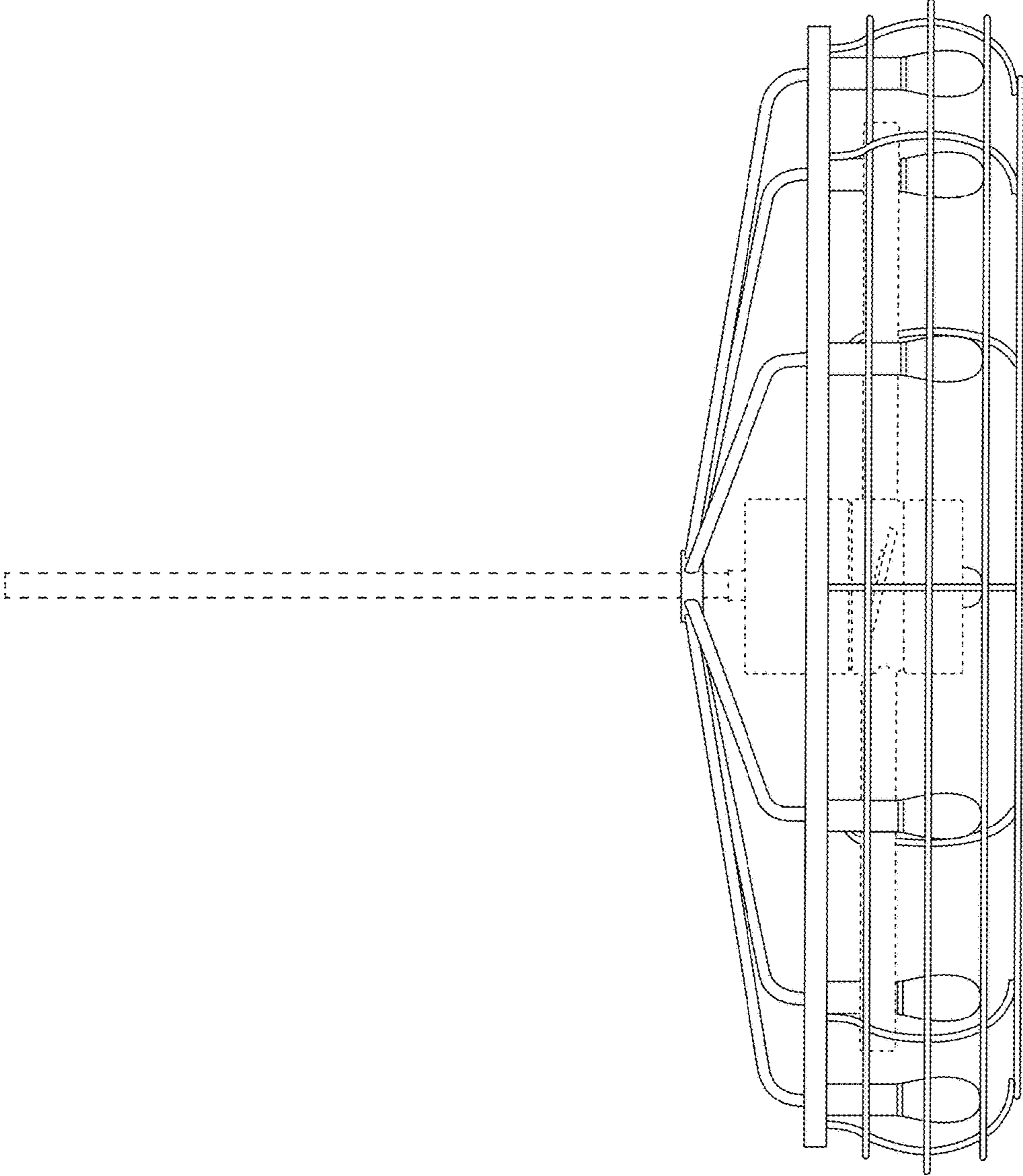


FIG. 2

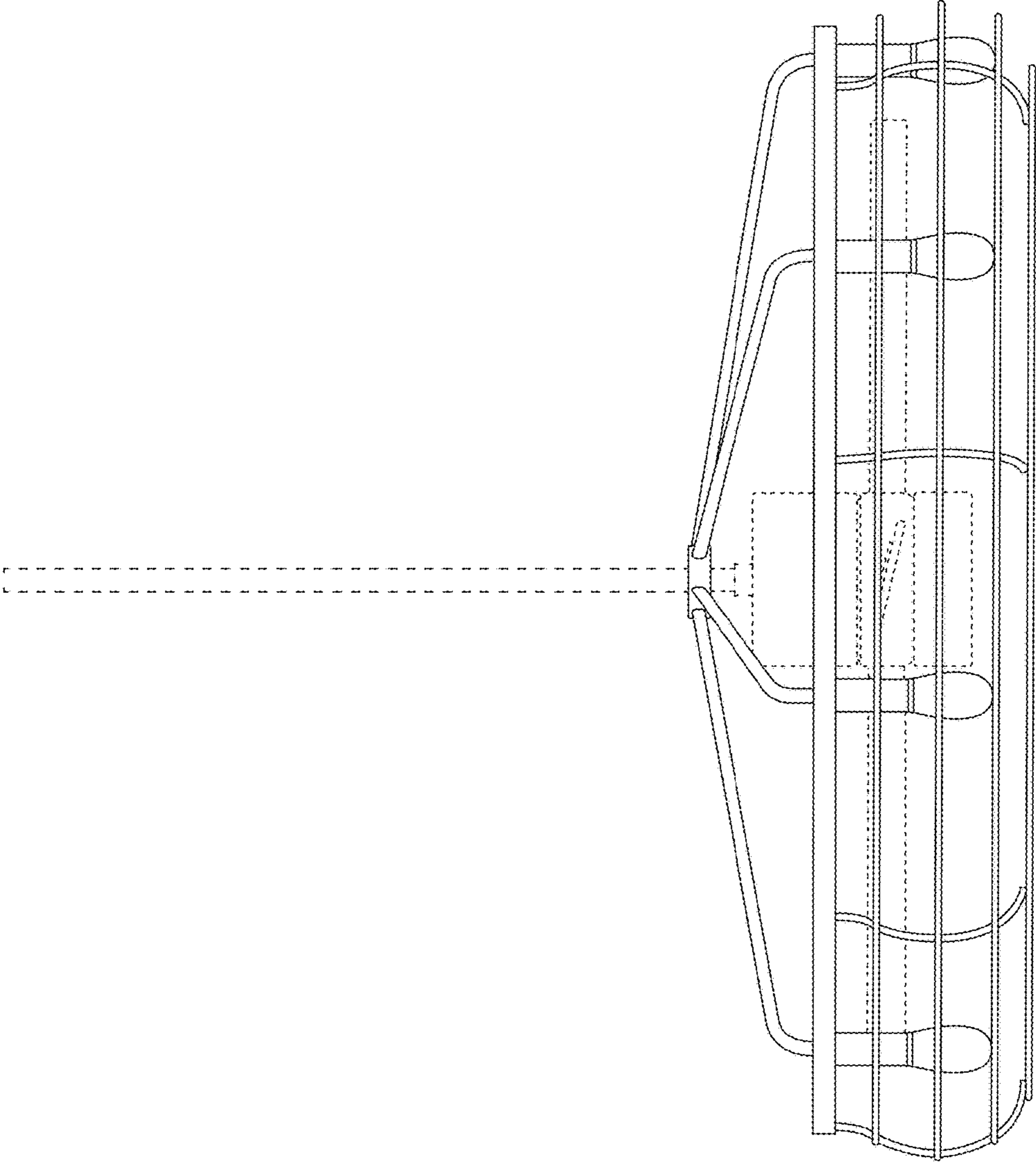


FIG. 3

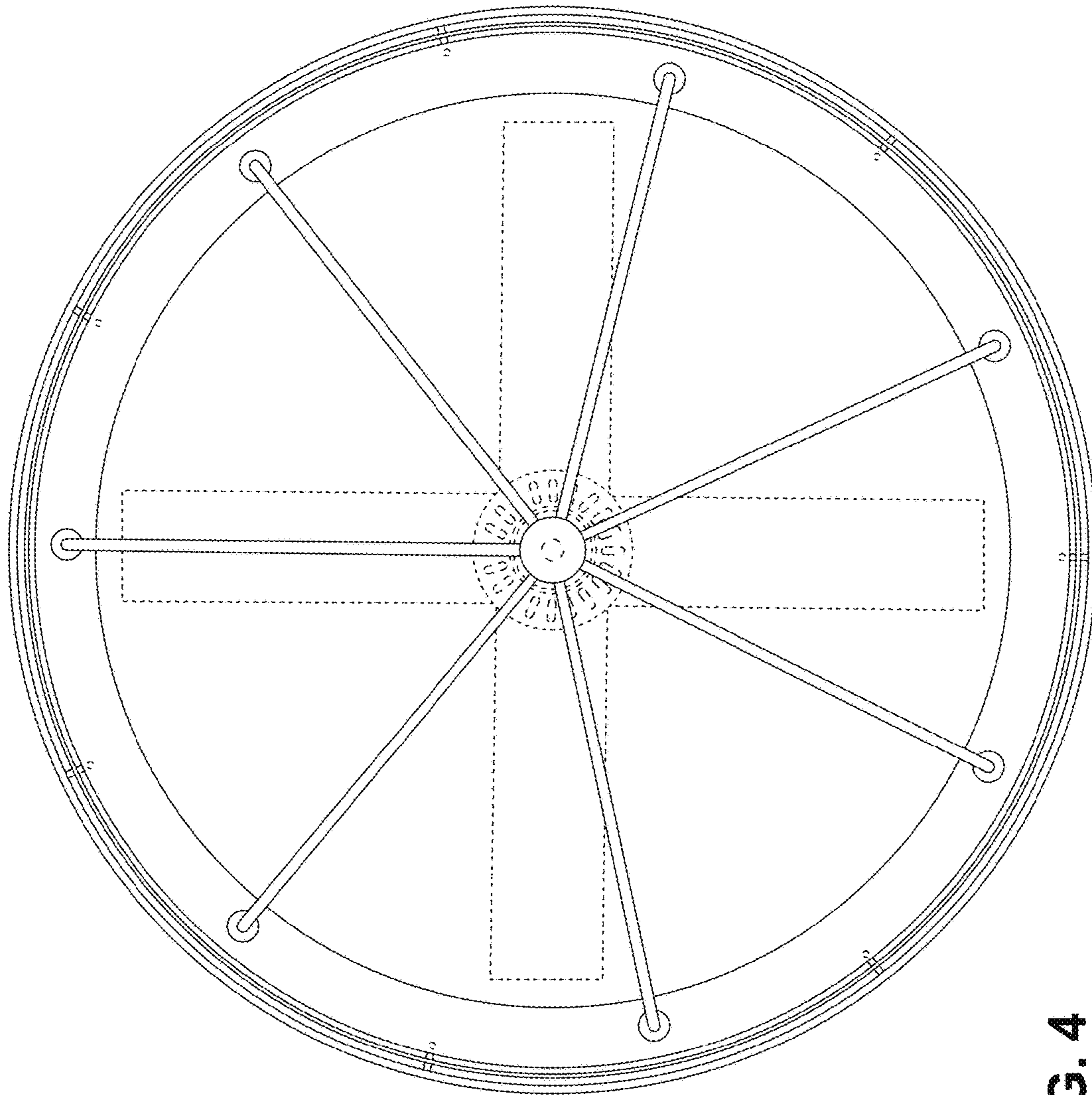


FIG. 4

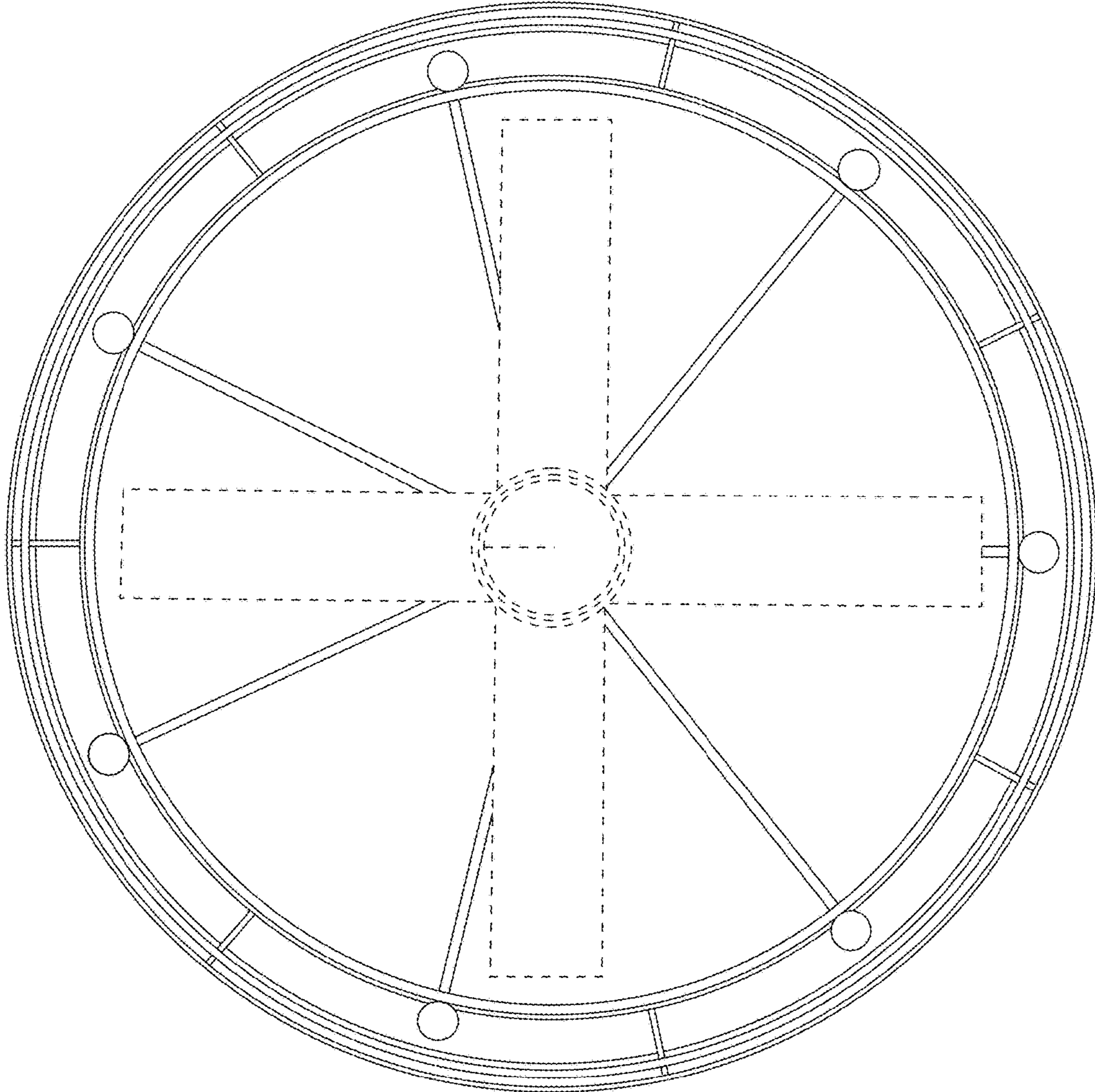


FIG. 5