



US00D789506S

(12) **United States Design Patent** (10) **Patent No.:** **US D789,506 S**
D'Amico et al. (45) **Date of Patent:** **** Jun. 13, 2017**

- (54) **AIR FRESHENER**
- (71) Applicant: **Georgia-Pacific Consumer Products LP**, Atlanta, GA (US)
- (72) Inventors: **Daniel D'Amico**, South Salem, NY (US); **Eric Peterson**, Hortonville, WI (US)
- (73) Assignee: **Georgia-Pacific Consumer Products LP**, Atlanta, GA (US)

- D223,734 S * 5/1972 Barber D23/383
- 3,999,473 A 12/1976 Carbon
- 4,134,142 A 1/1979 Ohashi
- D349,333 S * 8/1994 King D23/314
- D400,661 S 11/1998 Ko
- D417,268 S 11/1999 Gillingham
- D437,042 S * 1/2001 Kapturowski D23/370
- D437,043 S * 1/2001 Wettergren D23/370
- D441,441 S 5/2001 Upson
- D506,818 S * 6/2005 Lin D23/370
- D510,422 S 10/2005 Schriener et al.

(Continued)

- (**) Term: **15 Years**
- (21) Appl. No.: **29/555,745**
- (22) Filed: **Feb. 24, 2016**
- (51) **LOC (10) Cl.** **23-04**
- (52) **U.S. Cl.**
USPC **D23/370; D23/386**
- (58) **Field of Classification Search**
USPC D23/355-369, 335, 342, 370, 382, 371, D23/378, 383, 385, 386, 411; 261/DIG. 17, DIG. 42, DIG. 65, DIG. 88, 261/DIG. 89; D11/164; D24/206; D14/253, 451
CPC A61L 9/00; A61L 9/02; A61L 9/03; A61L 9/032; A61L 9/035; A61L 9/037; A61L 9/04; A61L 9/12; A61L 9/127; A61L 9/015; A61L 9/20; A61L 9/22; A01M 1/2077; F24F 5/0096; F24F 6/12; B01F 3/04
See application file for complete search history.

- (56) **References Cited**
U.S. PATENT DOCUMENTS
D98,105 S 1/1936 Arenberg
2,116,145 A * 5/1938 Findley B60H 1/00464
165/124
2,459,647 A 1/1949 Hodgkins
D206,973 S 2/1967 De Lisle

OTHER PUBLICATIONS

“TC® T-Cell Fragrance Refill—Blue Splash | Lebanon Chemical Co., Inc.” [online] [retrieved Jun. 30, 2016]. Retrieved from the Internet: <URL: <http://lebanonchemical.com/g/TECHCOXXXXX/TC-TCcell-Dispenser-and-Refills/>>. (dated 2012) 1 page.

(Continued)

Primary Examiner — Sheryl Lane
Assistant Examiner — Samantha Wood
(74) *Attorney, Agent, or Firm* — Alston & Bird LLP

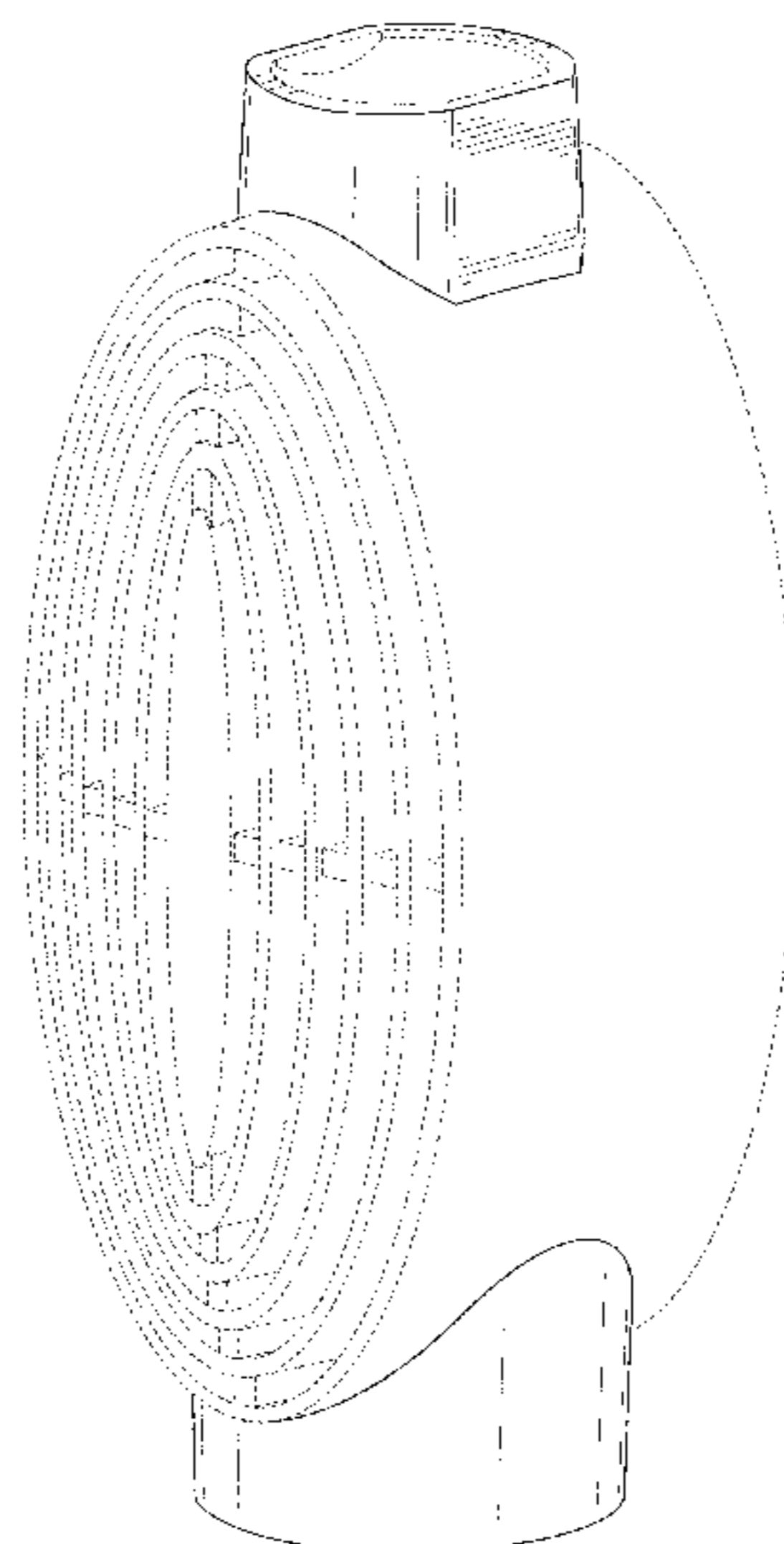
(57) **CLAIM**

We claim the ornamental design for an air freshener, as shown and described.

DESCRIPTION

FIG. 1 is a perspective view of an air freshener showing our new design;
FIG. 2 is a front elevation view thereof;
FIG. 3 is a rear elevation view thereof;
FIG. 4 is a right side elevation view thereof;
FIG. 5 is a left side elevation view thereof;
FIG. 6 is a top plan view thereof; and,
FIG. 7 is a bottom plan view thereof.
The broken lines showing portions of the air freshener are included for the purpose of illustrating unclaimed portions of the article and form no part of the claimed design.

1 Claim, 7 Drawing Sheets



(56)

References Cited

U.S. PATENT DOCUMENTS

7,036,747	B2	5/2006	Channer	
D577,799	S	9/2008	Blateri	
D582,554	S	12/2008	Adams	
D591,415	S	4/2009	Wu	
7,513,192	B2	4/2009	Sullivan et al.	
D603,952	S *	11/2009	Bucher	D23/378
D606,645	S	12/2009	Orihara et al.	
D609,798	S *	2/2010	Matejczuk	D23/374
D638,114	S *	5/2011	Li	D23/370
D643,098	S	8/2011	Wallace et al.	
8,092,166	B2	1/2012	Nicolas et al.	
D663,828	S *	7/2012	Portillo	D23/371
D672,023	S	12/2012	Wallace et al.	
D680,209	S *	4/2013	Yen	D23/328
D688,781	S	8/2013	Vallinan et al.	
D693,915	S *	11/2013	Bisla	D23/370
D696,675	S *	12/2013	Delrue	D14/447
D702,828	S *	4/2014	Schouten	D23/378
D703,302	S *	4/2014	Ruck	D23/370
D703,303	S *	4/2014	Ruck	D23/370
D705,416	S *	5/2014	Bisla	D23/370
D715,916	S *	10/2014	Bisla	D23/370
D722,377	S *	2/2015	Schramski	D23/393
9,127,855	B2	9/2015	Staniforth et al.	
D749,231	S *	2/2016	Dyson	D24/206
D754,316	S	4/2016	Yasuoka	
9,366,449	B2 *	6/2016	Staniforth	F04F 5/16
9,410,711	B2 *	8/2016	Wilson	C02F 1/325
2004/0094635	A1	5/2004	Harris et al.	
2006/0145368	A1 *	7/2006	Thomas	A61L 9/12 261/116

OTHER PUBLICATIONS

“SSS Alero PT Air Freshener Refill, Lemon Twist, 6/cs.” [online] [retrieved Jun. 30, 2016]. Retrieved from the Internet: <URL: <http://catalog.triples.com/Vendors/SSS-Alero-PT-Air-Freshener-Refill-Lemon-Twist-6-cs->>. (dated 2015) 1 page.

“Kimcare Continuous Air Freshener Refill.” [online] [retrieved Jun. 30, 2016]. Retrieved from the Internet: <URL: <http://www.supplyways.com/Kimcare-Continuous-Air-Freshener-Refill-p/kc91067.htm>>. (dated 2011) 2 pages.

“KC91067-2.jpg.” [online] [retrieved Jun. 30, 2016]. Retrieved from the Internet: <URL: <http://www.supplyways.com/v/vspfiles/photos/KC91067-2.jpg>>. 1 page.

“Scott 91067 Continuous Air Freshener Refill, Citrus, 48mL Cartridge (Case of 6): Automotive Air Fresheners: Amazon.com: Industrial & Scientific.” [online] [retrieved Jun. 30, 2016]. Retrieved from the Internet: <URL: <https://www.amazon.com/Kimberly-Clark-Scott-Continuous-Freshener-Refill/dp/B00KCN0EGU>>. (dated 2016) 9 pages.

“Air Spencer (000800) CS-X3 Squash Scent Air Freshener Refill: Automotive . . .” [online] [retrieved Jun. 30, 2016]. Retrieved from the Internet: <URL: <https://www.amazon.com/Air-Spencer-000800-Squash-Freshener/dp/B001RJN56Y>>. (dated 2016) 7 pages.

“Eco-Air Air Fresheners.” [online] [retrieved Jun. 30, 2016]. Retrieved from the Internet: <URL: http://www.airdelights.com/eco_air_air_fresheners.html>. (dated 2016) 2 pages.

“Vectair V-Air Solid Air Freshener Cartridge Refill.” [online] [retrieved Jun. 30, 2016]. Retrieved from the Internet: <URL: http://www.goodvac.com/Vectair_V_Air_Solid_Air_Freshener_Cartridge_Refill_p/vectair-v-solid-mint.htm>. (dated 2013) 2 pages.

Notice of Allowance for U.S. Appl. No. 29/555,893 dated Jan. 27, 2017.

* cited by examiner

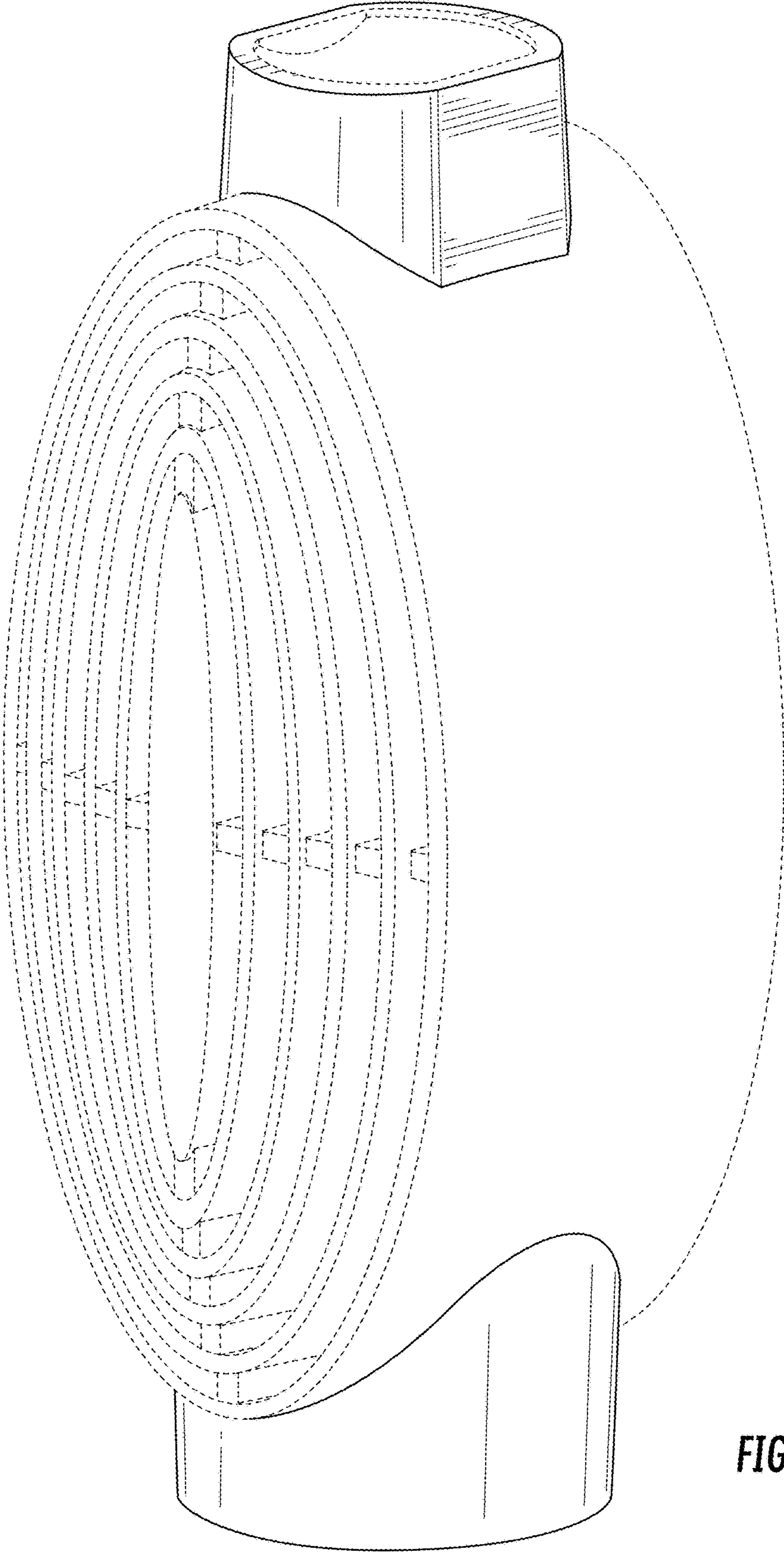


FIG. 1

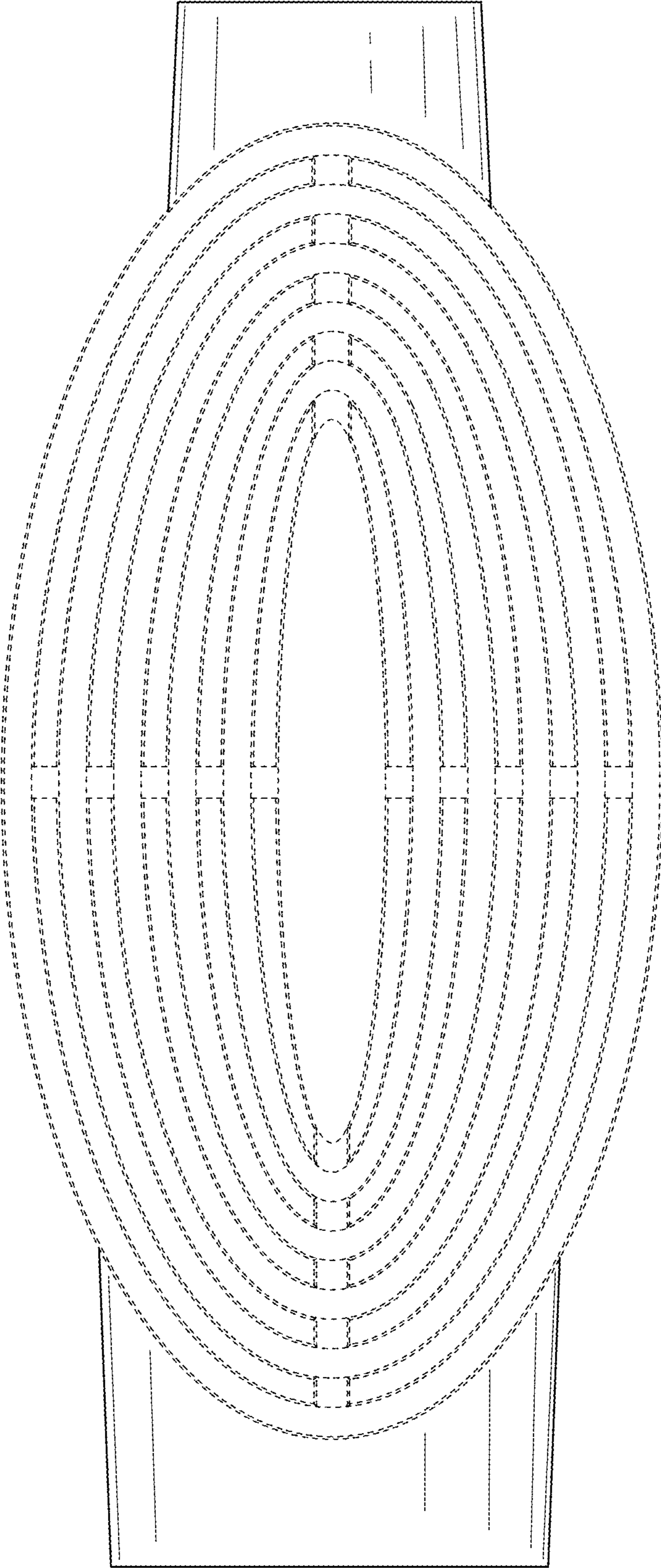


FIG. 2

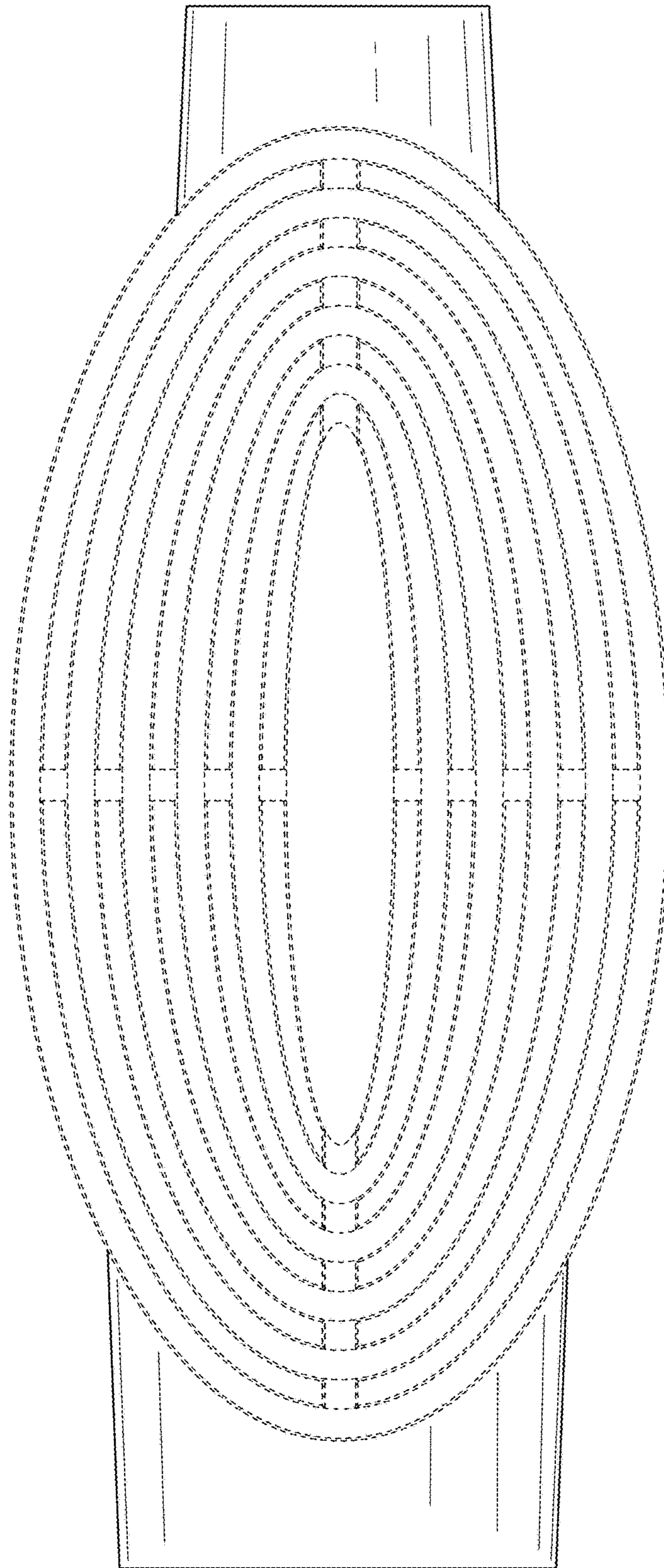


FIG. 3

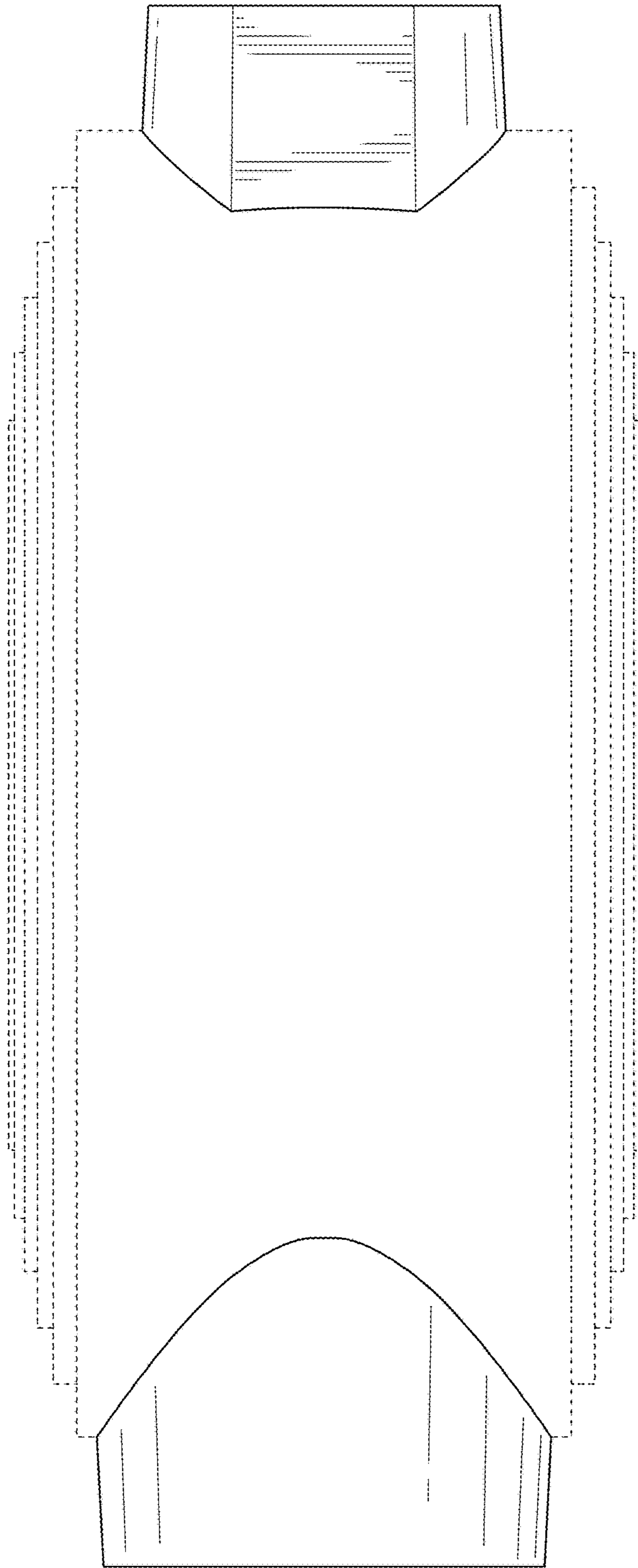


FIG. 4

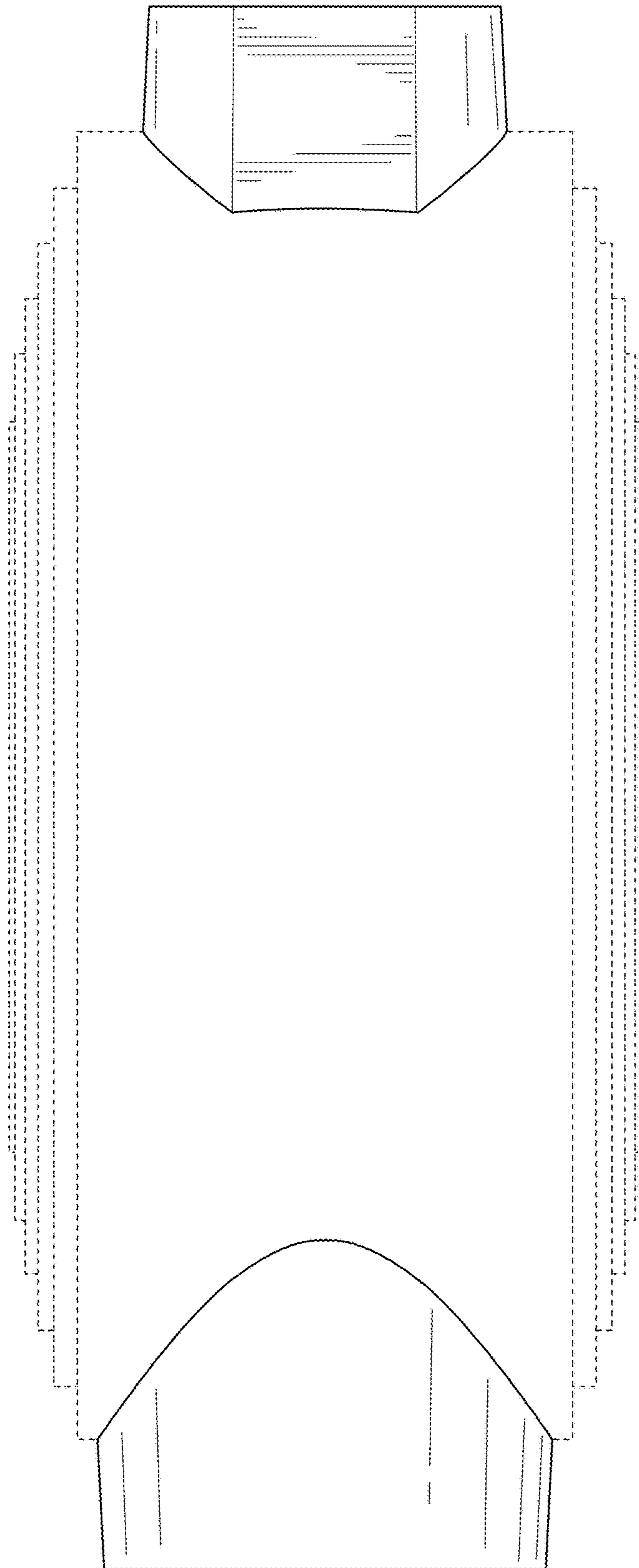


FIG. 5

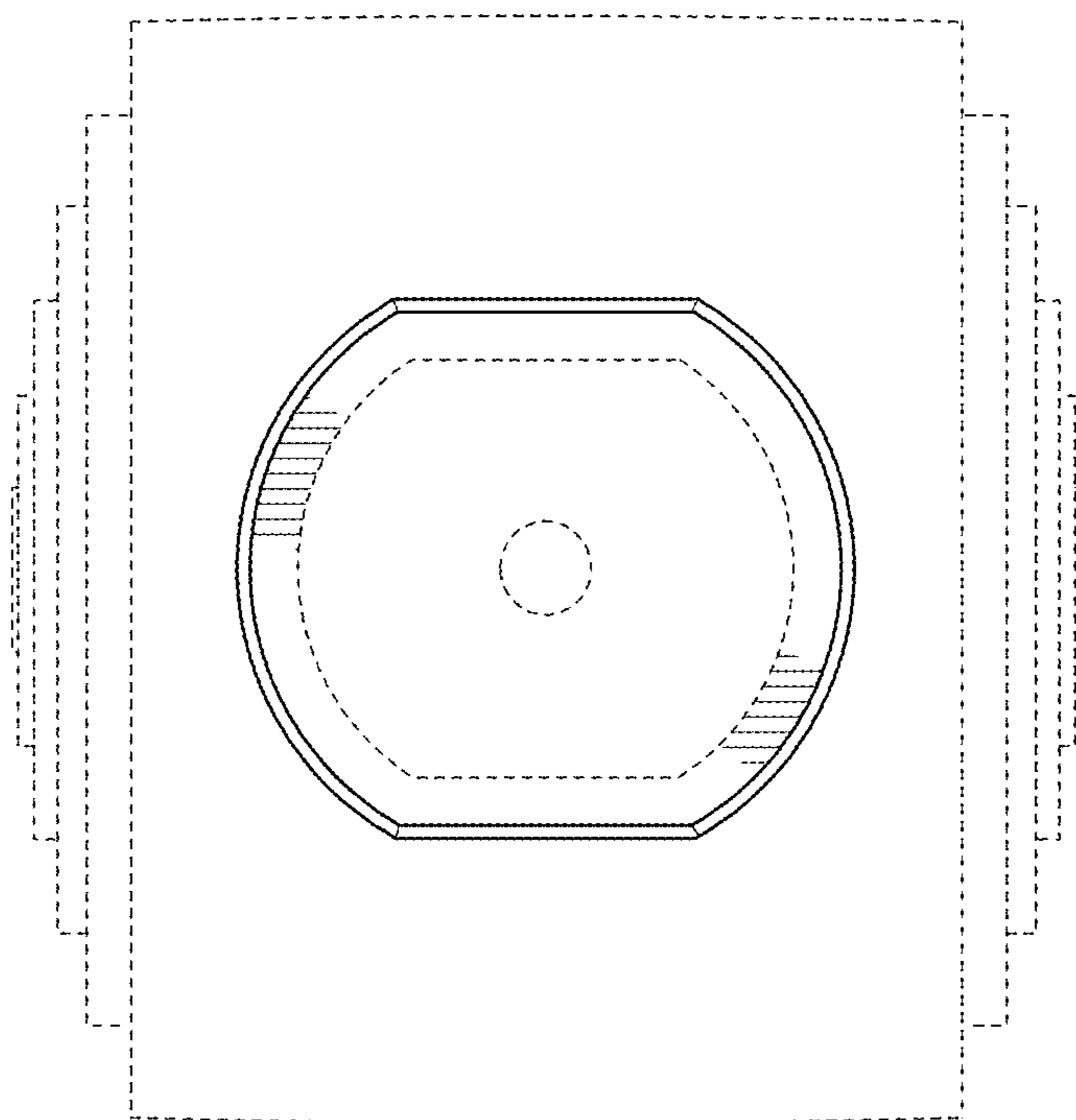


FIG. 6

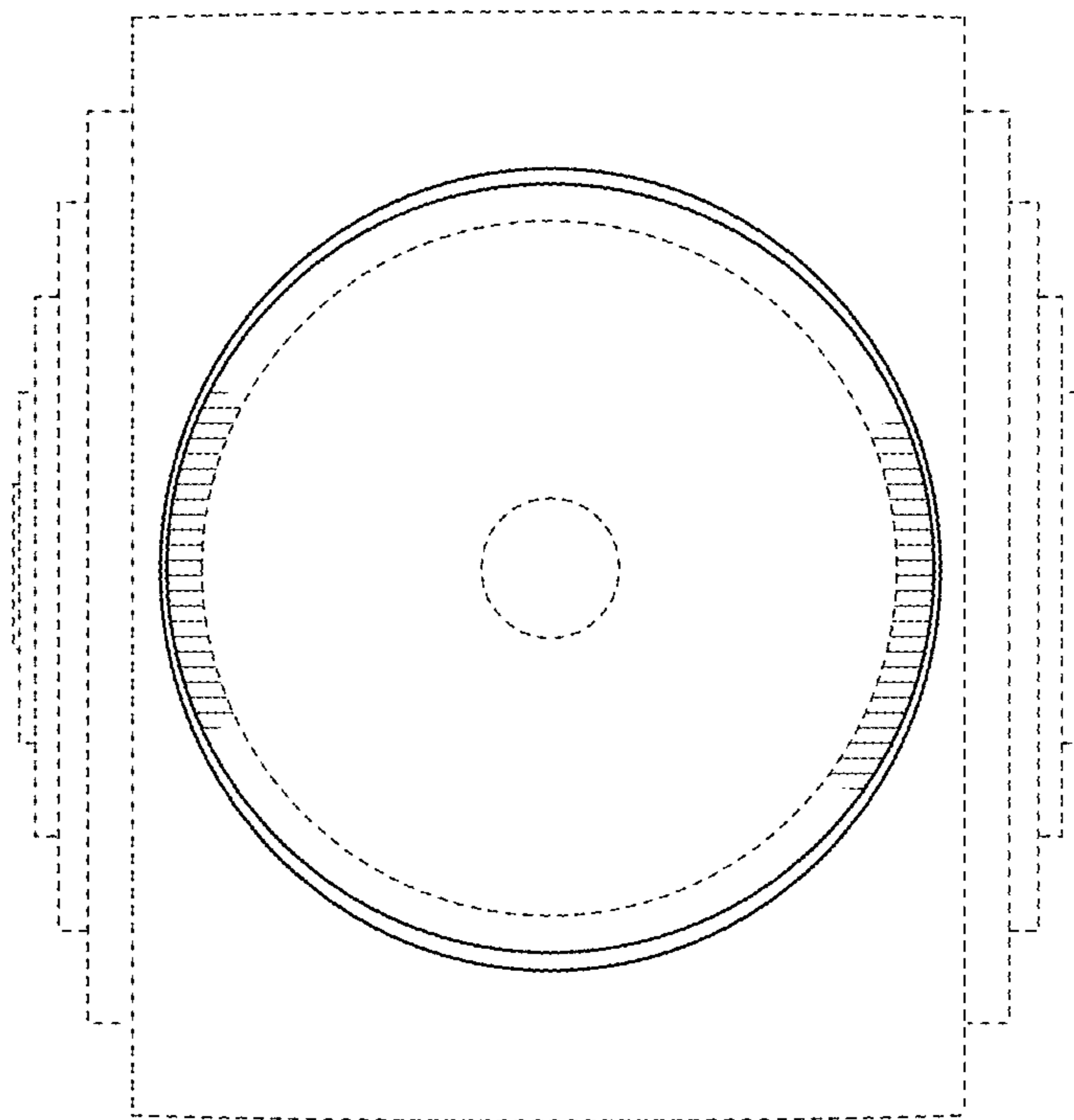


FIG. 7