



US00D789503S

(12) **United States Design Patent**
Alvise

(10) **Patent No.:** **US D789,503 S**

(45) **Date of Patent:** **** Jun. 13, 2017**

- (54) **EVAPORATOR ROUGH-IN BOX**
- (71) Applicant: **POLAR INDUSTRIA DE PLASTICOS LTDA., Joinville SC (BR)**
- (72) Inventor: **Dalvir Alvise, Joinville SC (BR)**
- (73) Assignee: **POLAR INDUSTRIA DE PLASTICOS LTDA., Joinville SC (BR)**
- (**) Term: **15 Years**
- (21) Appl. No.: **29/552,437**
- (22) Filed: **Jan. 22, 2016**
- (51) **LOC (10) Cl.** **23-04**
- (52) **U.S. Cl.**
USPC **D23/359**
- (58) **Field of Classification Search**
USPC D23/333, 335, 341, 342, 351, 353, 354, D23/355, 356, 359, 364, 365, 370, 385, D23/386, 388, 393
CPC F24F 1/00; F24F 1/0007; F24F 1/02; F24F 1/08; F24F 1/42; F24F 1/56; F24F 1/60; F24F 3/044; F24F 3/048; F24F 3/16; F24F 7/00; F24F 7/04; F24F 12/001; F24F 12/006
See application file for complete search history.

- D312,303 S * 11/1990 Gustavsson D23/359
- 7,490,613 B2 * 2/2009 Iordan A24F 1/24 131/178
- 7,905,236 B2 * 3/2011 Bryman A24F 47/004 131/184.2
- D636,477 S * 4/2011 Anderson A61L 9/12 D23/366
- D720,841 S * 1/2015 Watanabe D23/322
- D731,632 S * 6/2015 Kulp D23/359
- D769,433 S * 10/2016 Dingle D23/359

* cited by examiner

Primary Examiner — George D. Kirschbaum

Assistant Examiner — Natasha Vujcic

(74) *Attorney, Agent, or Firm* — Oliff PLC

(57) **CLAIM**

The ornamental design for an evaporator rough-in box, as shown and described.

DESCRIPTION

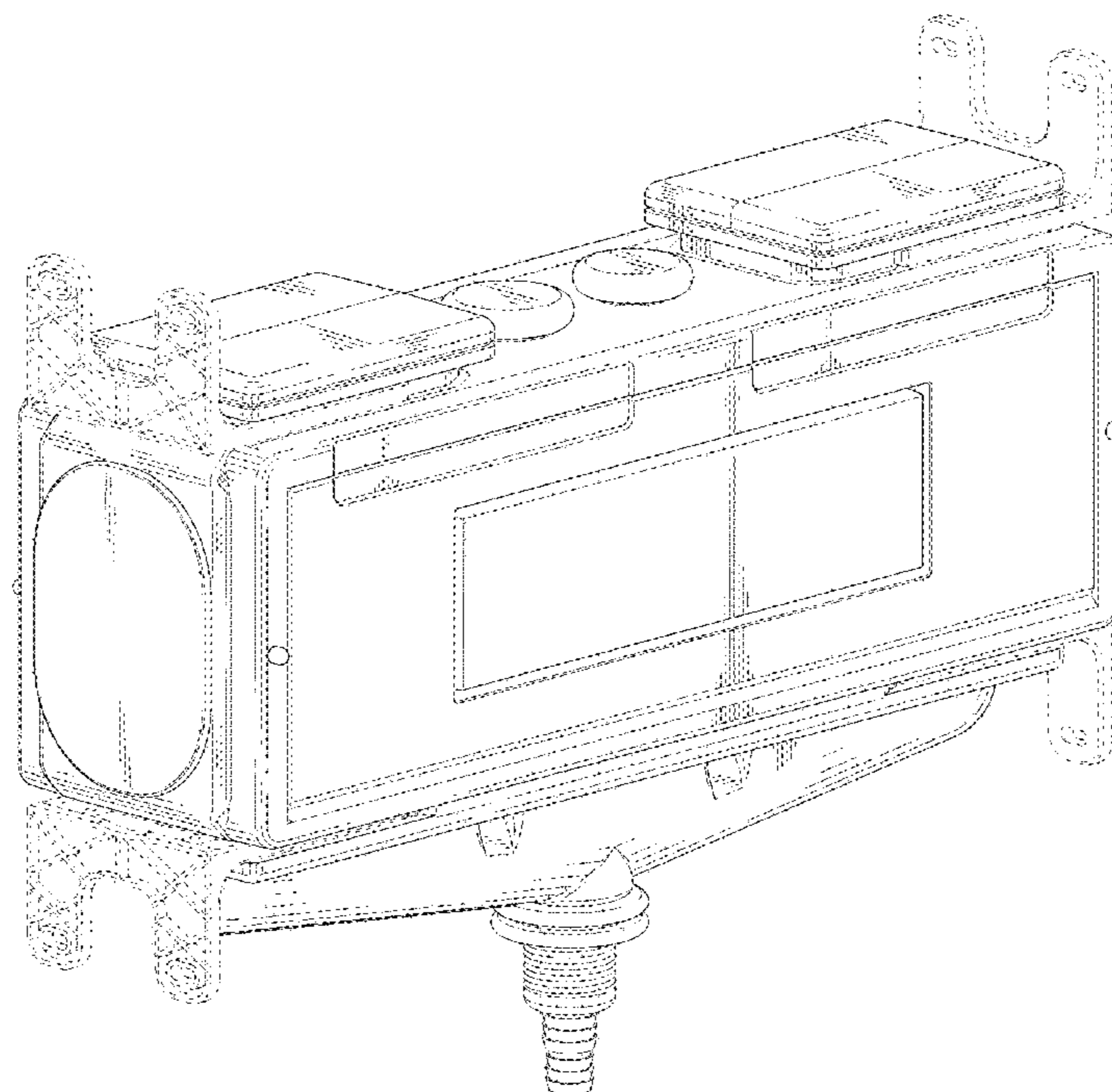
FIG. 1 is a front, top, left-side perspective view of the evaporator rough-in box;
 FIG. 2 is a front elevational view thereof;
 FIG. 3 is a top plan view thereof;
 FIG. 4 is a right-side elevational view thereof;
 FIG. 5 is a left-side elevational view thereof;
 FIG. 6 is a rear elevational view thereof;
 FIG. 7 is a bottom plan view thereof; and,
 FIG. 8 is a front, top, left-side perspective view similar to FIG. 1, but showing one of the brackets in an extended configuration.
 The broken lines depict environmental subject matter only and form no part of the claimed design.

(56) **References Cited**

U.S. PATENT DOCUMENTS

- D244,856 S * 6/1977 Haufe D23/353
- D309,656 S * 7/1990 Lee D23/356

1 Claim, 7 Drawing Sheets



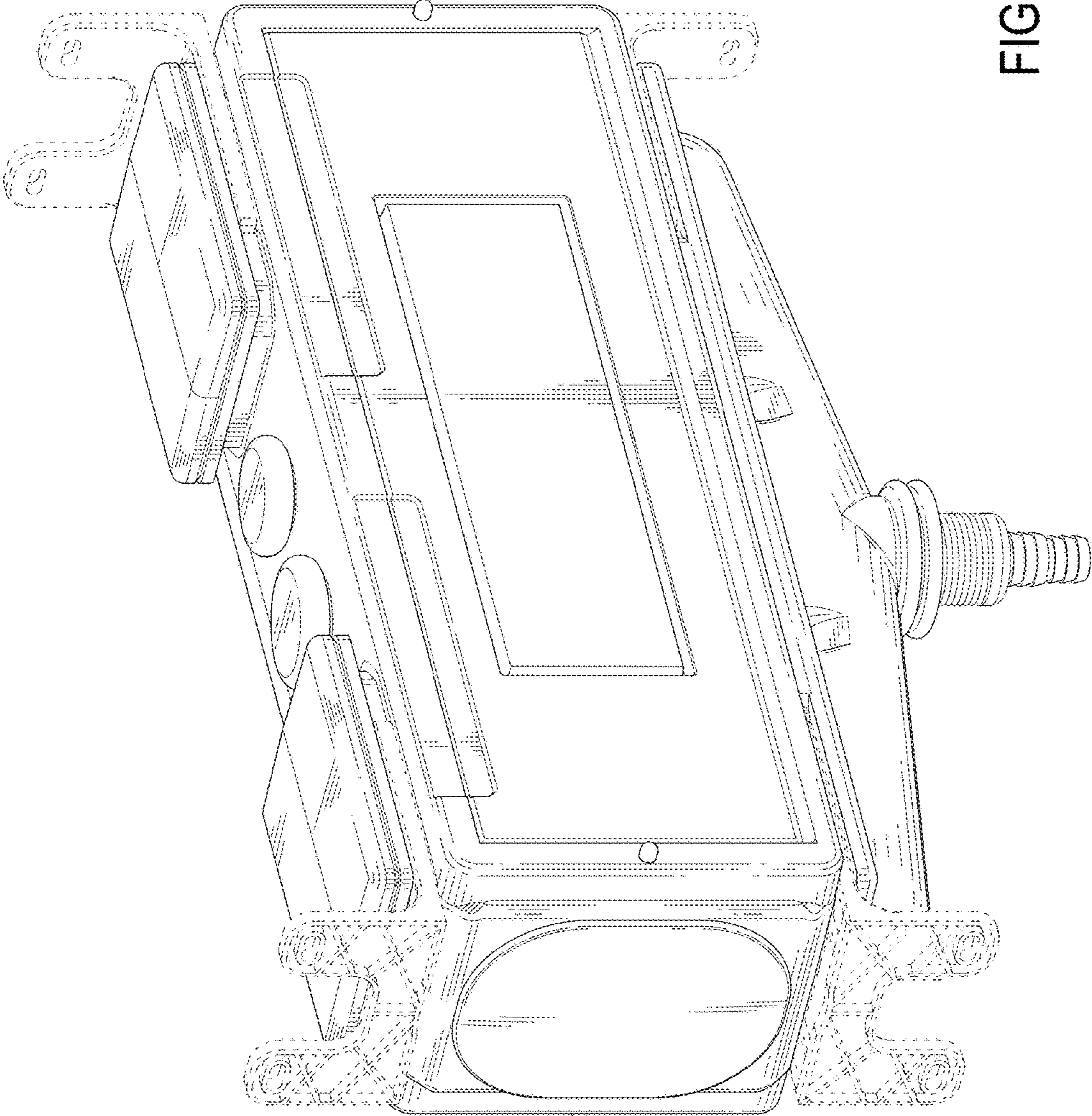


FIG. 1

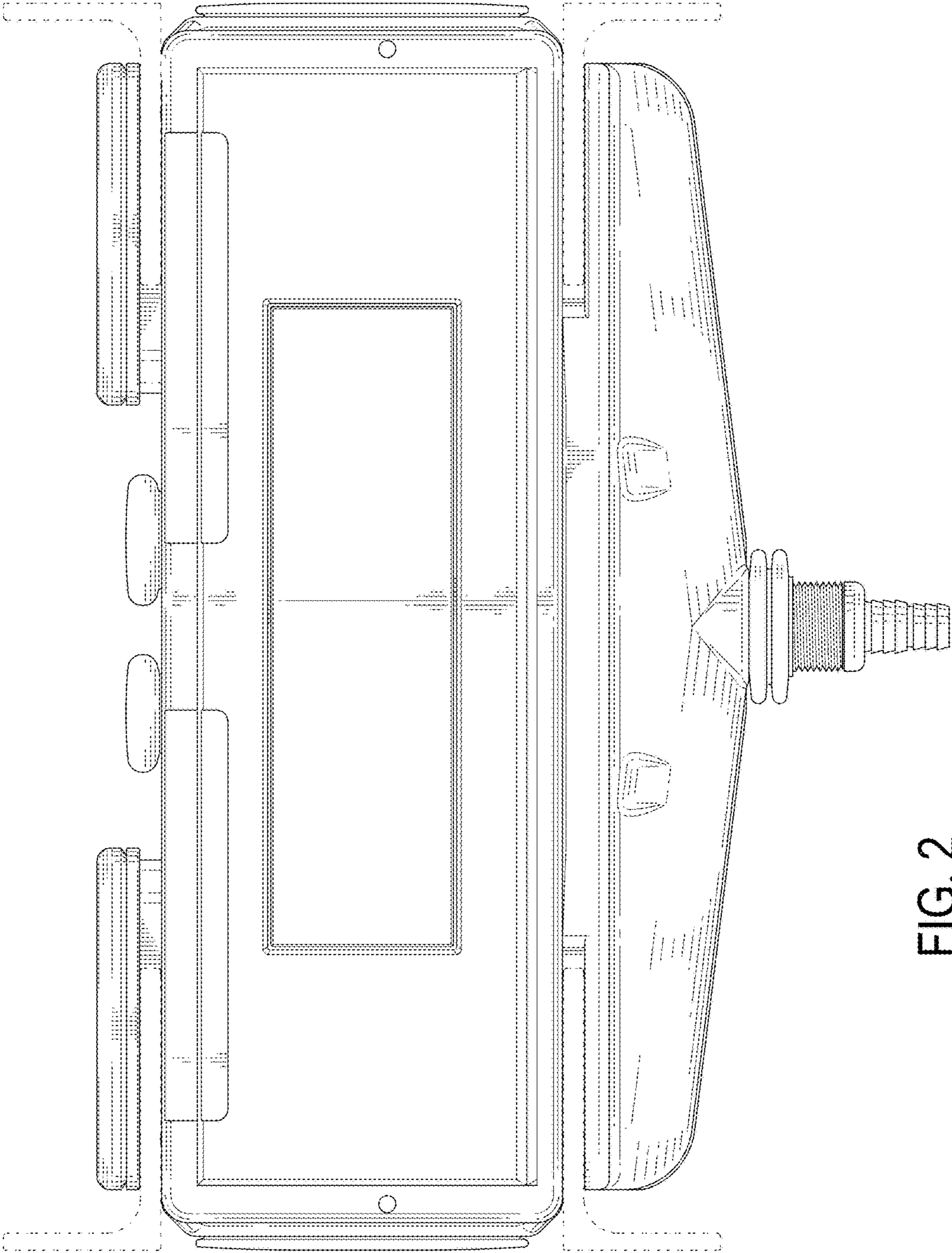


FIG. 2

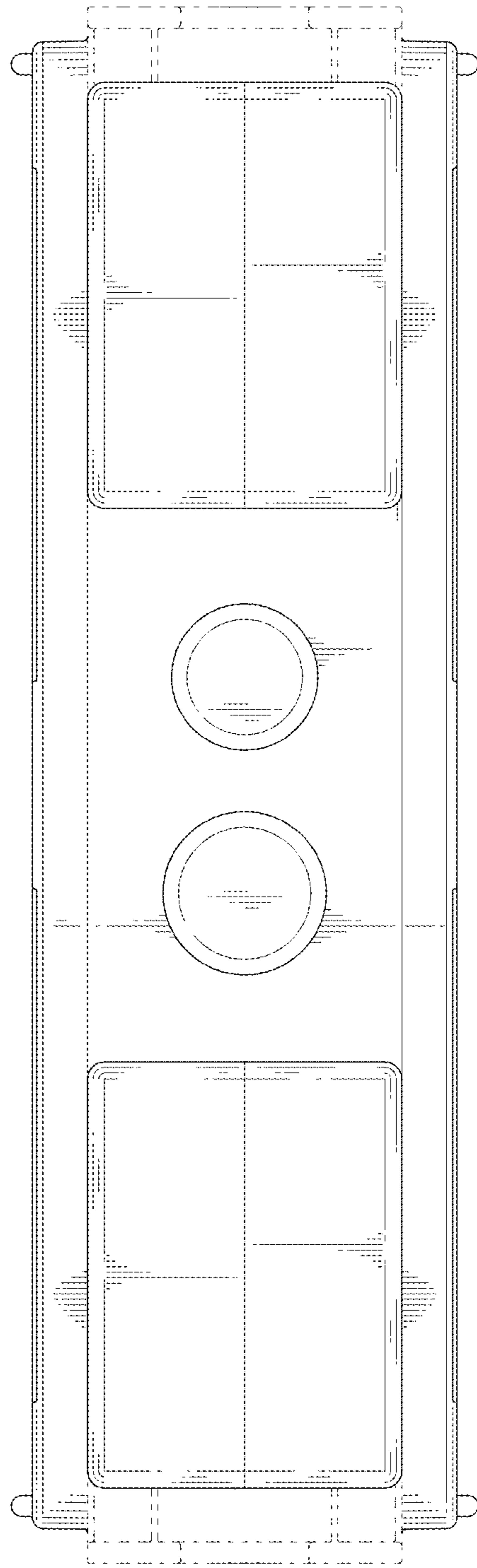


FIG. 3

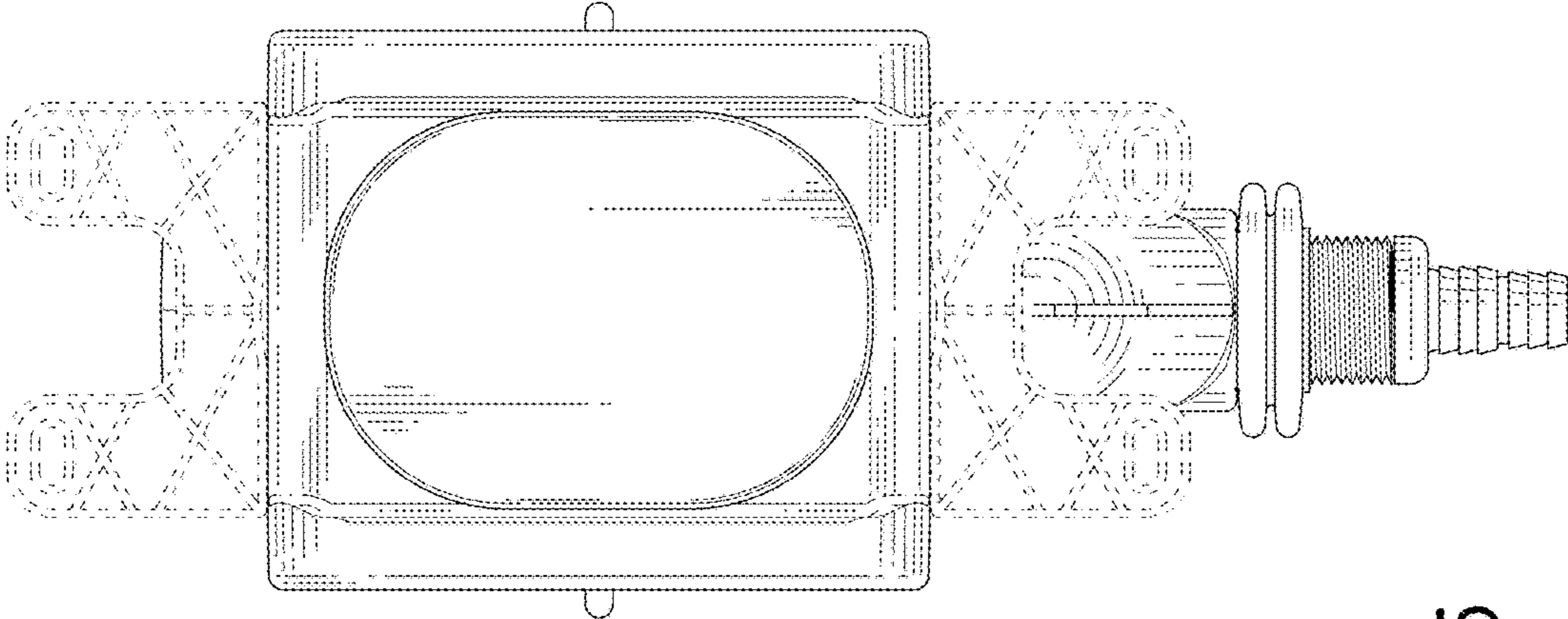


FIG. 5

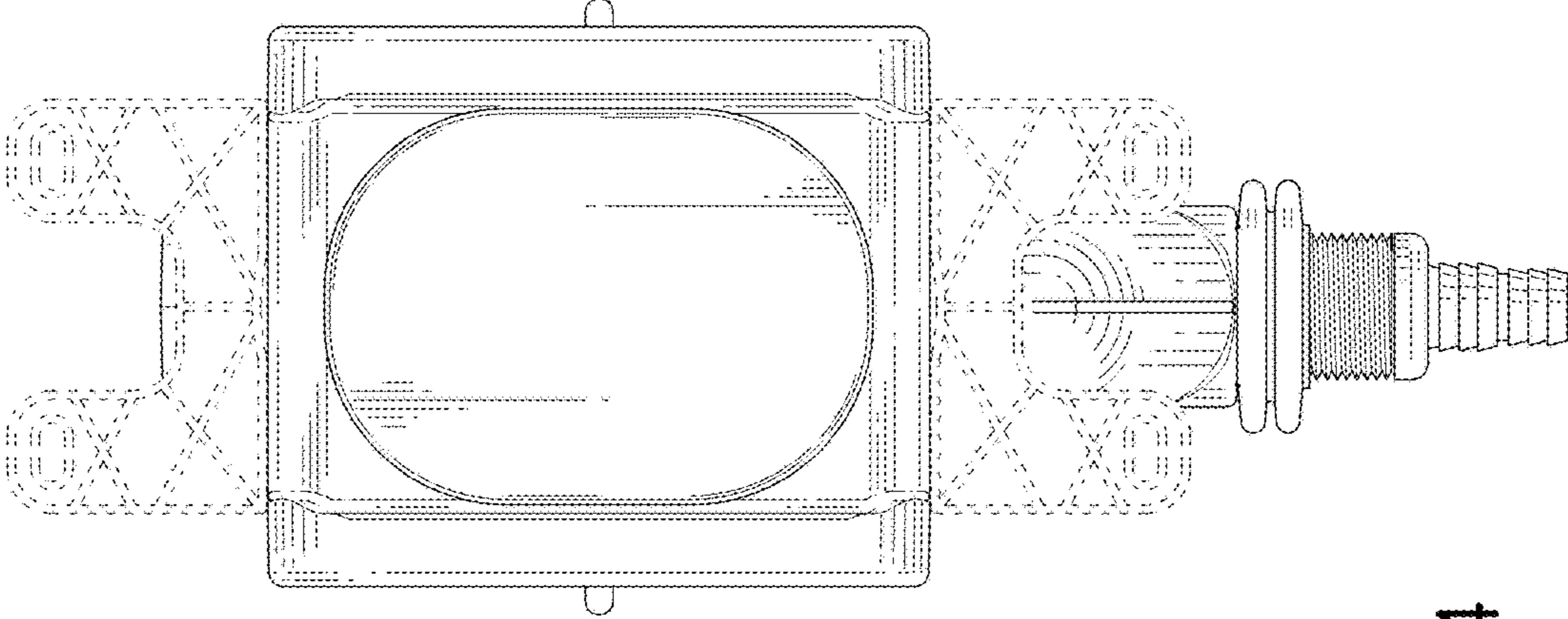


FIG. 4

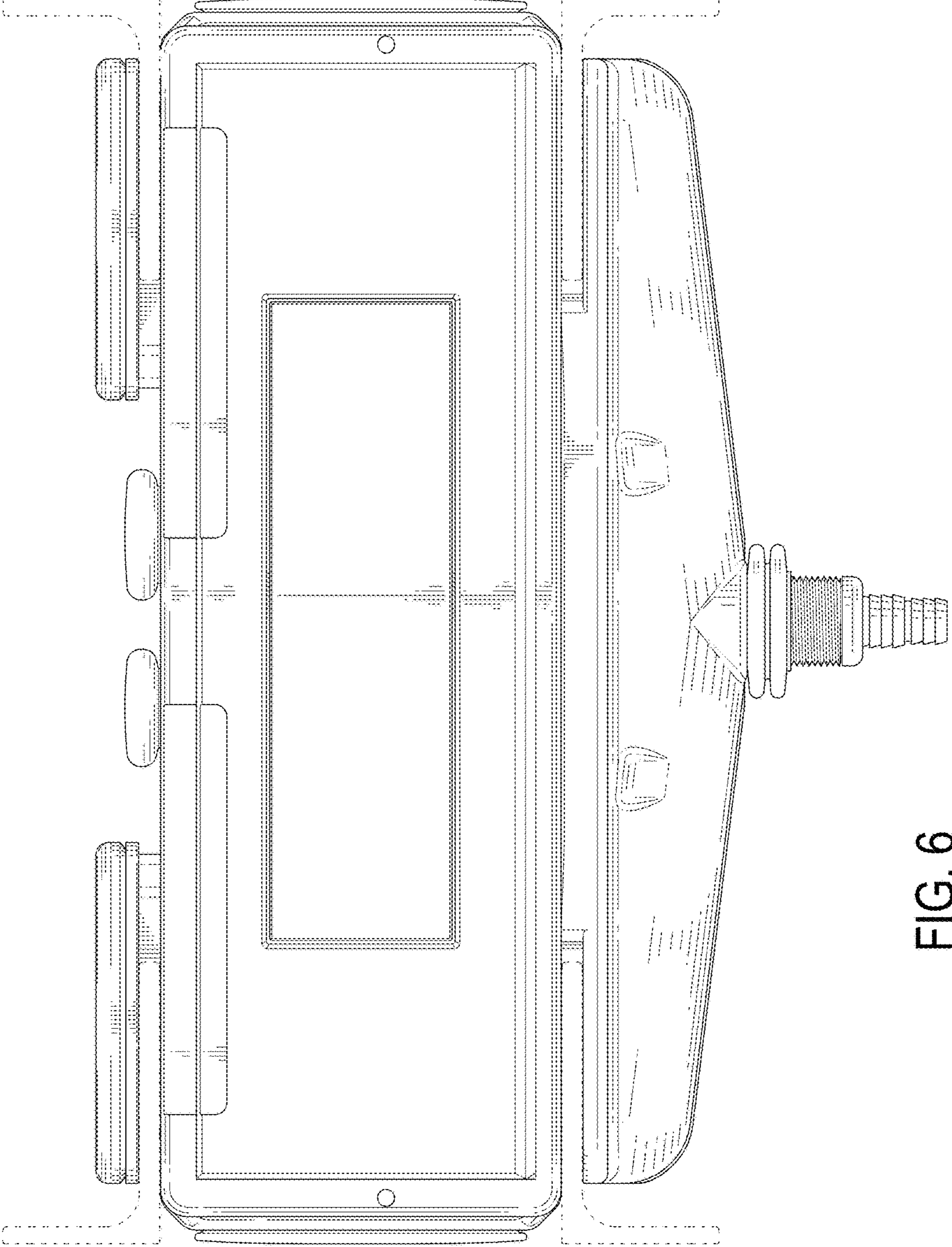


FIG. 6

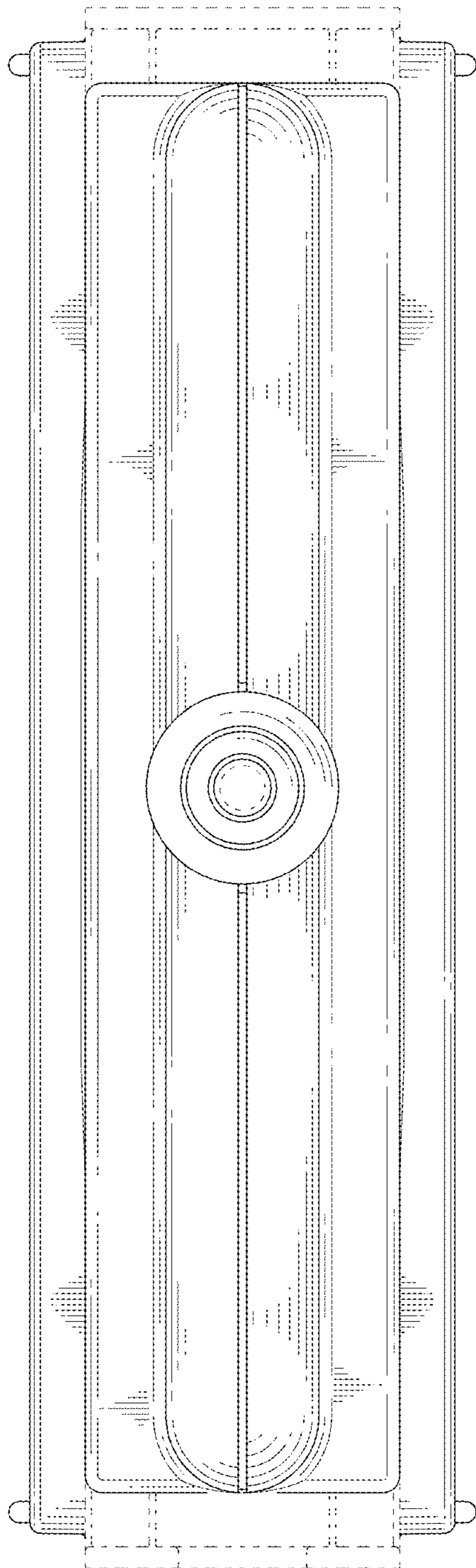


FIG. 7

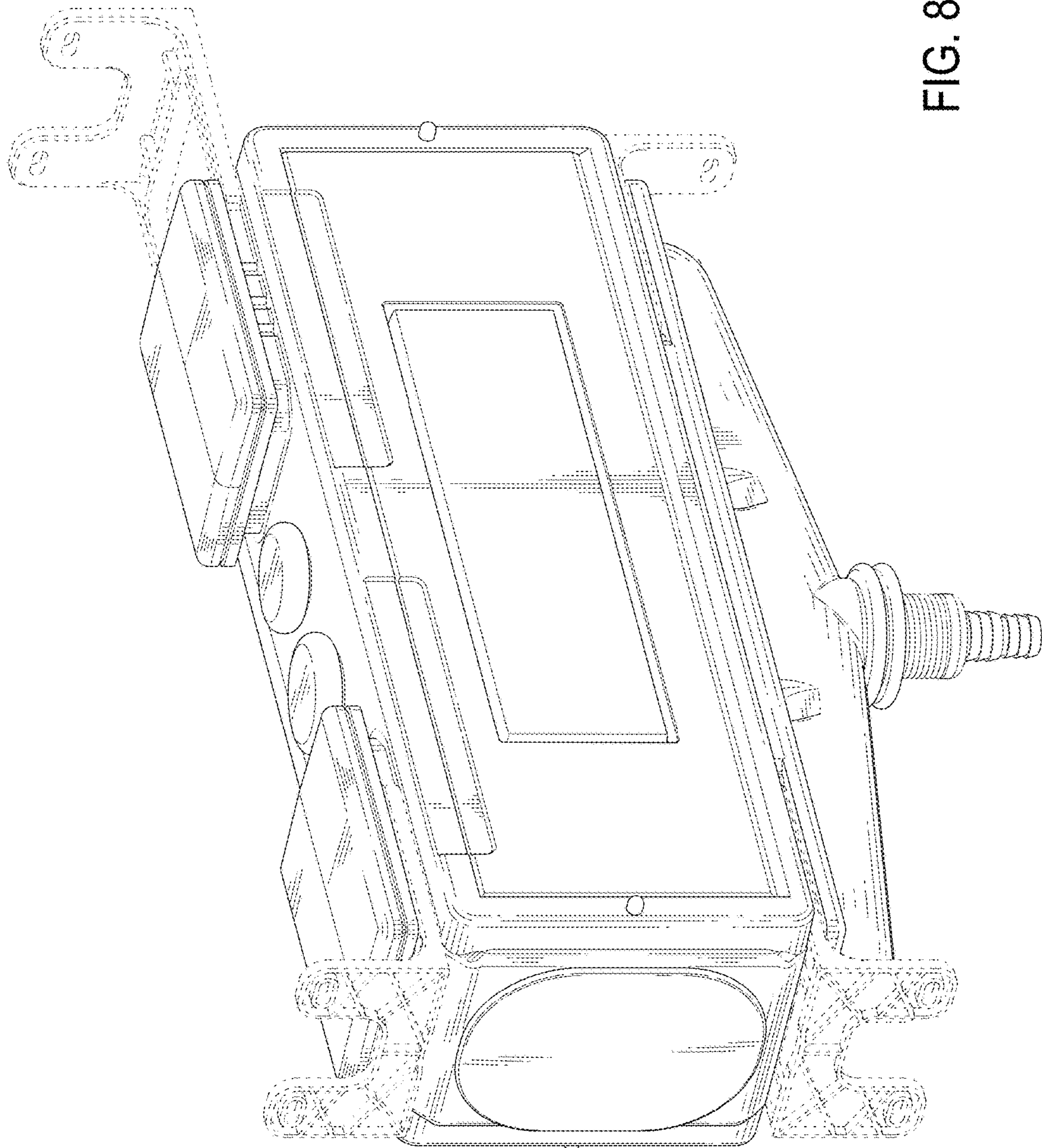


FIG. 8