



US00D789499S

(12) **United States Design Patent**
Slorach

(10) **Patent No.:** **US D789,499 S**

(45) **Date of Patent:** **** Jun. 13, 2017**

- (54) **GUTTER**
- (71) Applicant: **NRV Developments Pty Ltd,**
Campbellfield, Victoria (AU)
- (72) Inventor: **David Slorach,** Campbellfield (AU)
- (73) Assignee: **NRV Developments Pty Ltd,**
Campbellfield (AU)
- (**) Term: **15 Years**
- (21) Appl. No.: **29/565,097**
- (22) Filed: **May 18, 2016**
- (51) **LOC (10) Cl.** **23-01**
- (52) **U.S. Cl.**
USPC **D23/267**
- (58) **Field of Classification Search**
USPC D23/259-262, 266-268; D25/119;
52/11-16
CPC ... E04D 13/04; E04D 13/064; E04D 13/0725;
E04D 13/0762; E04D 13/0685
See application file for complete search history.

- (56) **References Cited**
U.S. PATENT DOCUMENTS
D82,957 S * 12/1930 Rachlin D23/267
2,111,251 A * 3/1938 Spilsbury E04D 13/0762
219/213
3,300,911 A * 1/1967 Riddell E04D 13/064
52/16
D215,157 S * 9/1969 Edmondson D23/267
3,612,453 A * 10/1971 Zimmer E04D 13/0727
248/48.2
D232,091 S * 7/1974 Clark D23/267
4,010,577 A * 3/1977 Stalter E04D 13/0459
454/188

- 4,436,518 A * 3/1984 Buss B65G 11/026
193/2 R
- D301,165 S * 5/1989 Rose D23/267
- D305,297 S * 1/1990 O'Neill D12/190
- D347,682 S * 6/1994 Kennedy D23/267
- D425,605 S * 5/2000 Palmisano D23/267
- D505,716 S * 5/2005 Kavanagh D23/267
- D552,218 S * 10/2007 Alldredge D23/267
- D586,436 S * 2/2009 Cangialosi D23/267
- D586,437 S * 2/2009 Cangialosi D23/267
- D674,889 S * 1/2013 Mims D23/386
- D718,847 S * 12/2014 Creighton Haley D23/267
- D726,888 S * 4/2015 Johansen D23/267
- 2016/0376790 A1 * 12/2016 Yildiz E04D 13/076
52/12

* cited by examiner

Primary Examiner — Eric Goodman
Assistant Examiner — Amy Wierenga
(74) *Attorney, Agent, or Firm* — Panitch Schwarze
Belisario & Nadel LLP

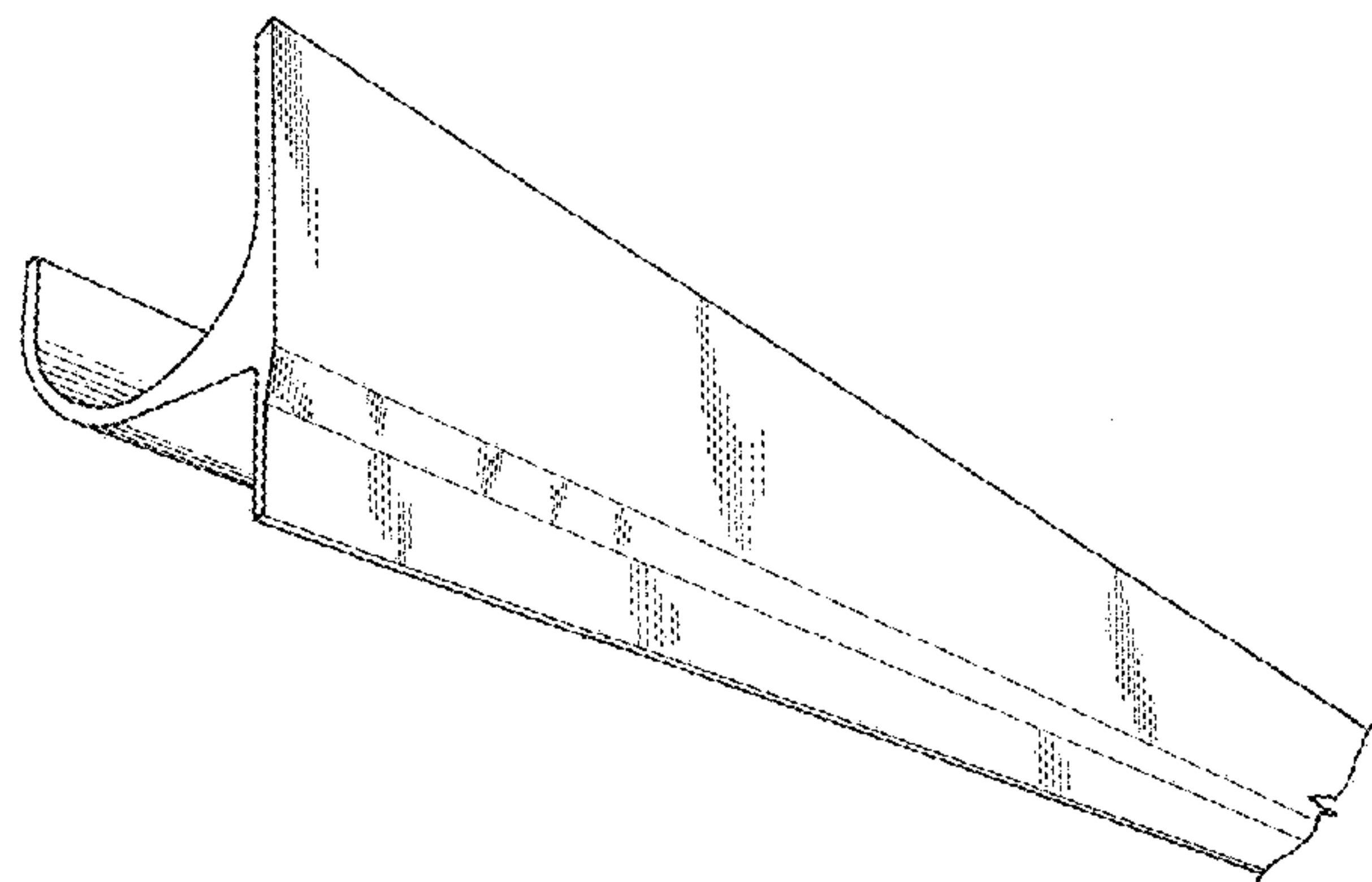
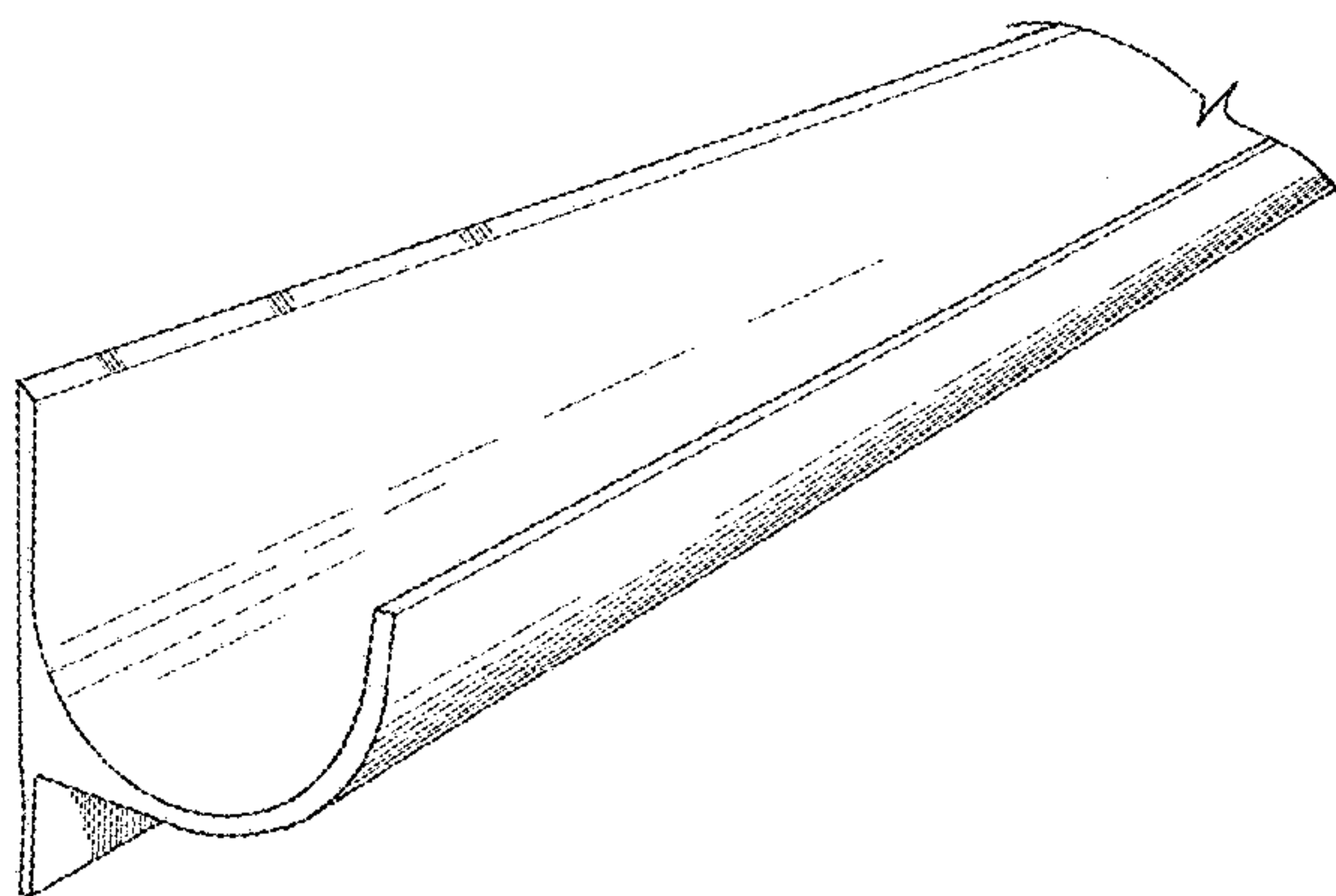
(57) **CLAIM**

The ornamental design for a gutter, as shown and described.

DESCRIPTION

FIG. 1 is a front perspective view of a gutter in accordance with my new design;
FIG. 2 is a rear perspective view thereof;
FIG. 3 is a left side elevational view thereof;
FIG. 4 is a right side elevational view thereof;
FIG. 5 is a rear elevational view thereof;
FIG. 6 is a bottom plan view thereof;
FIG. 7 is a top plan view thereof; and,
FIG. 8 is a front elevational view thereof.
FIGS. 1-2 and 5-8 show the end of the gutter with a symbolic break in its length. The appearance of any portion of the article beyond the break forms no part of the claim.

1 Claim, 6 Drawing Sheets



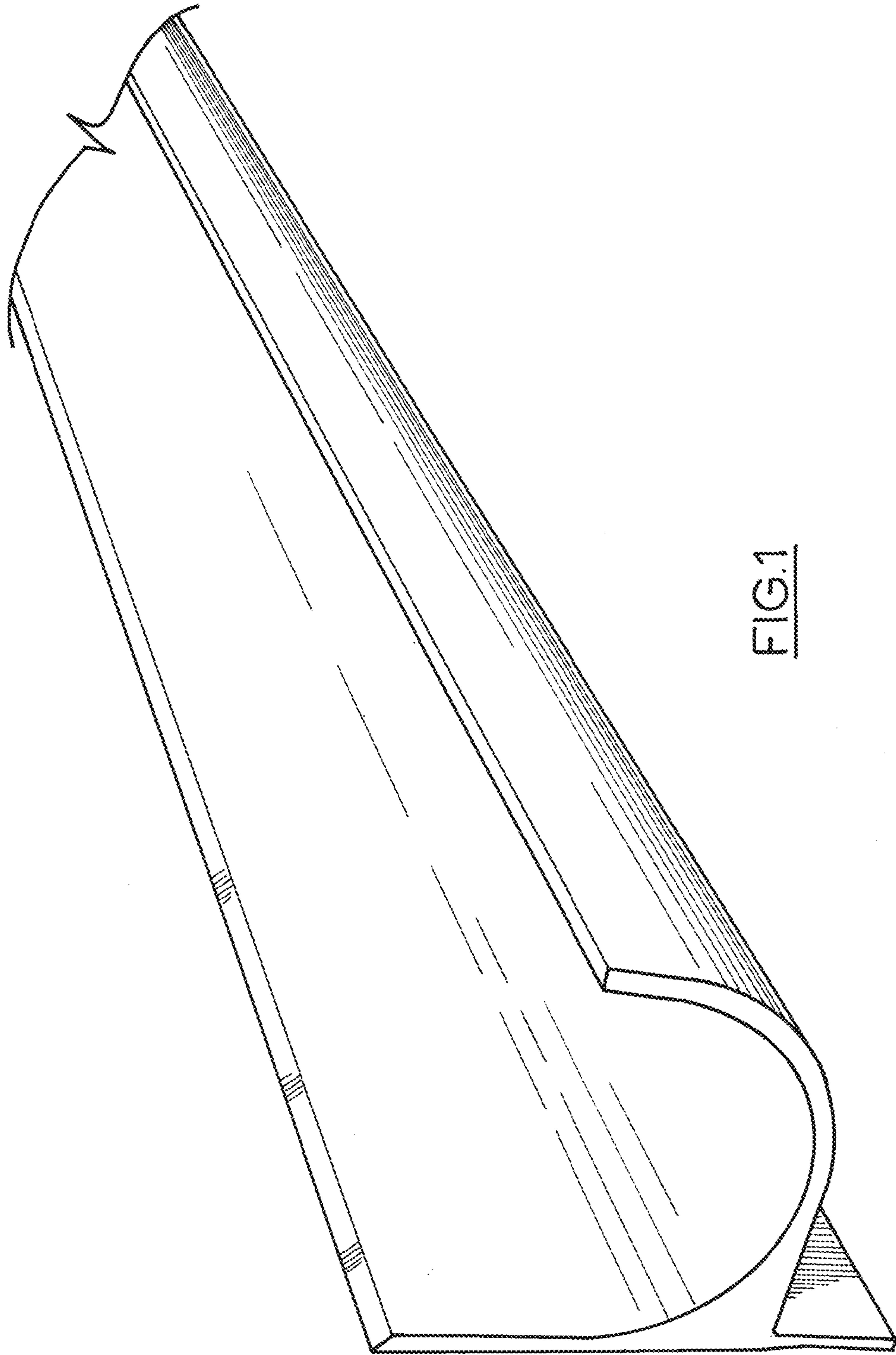


FIG. 1

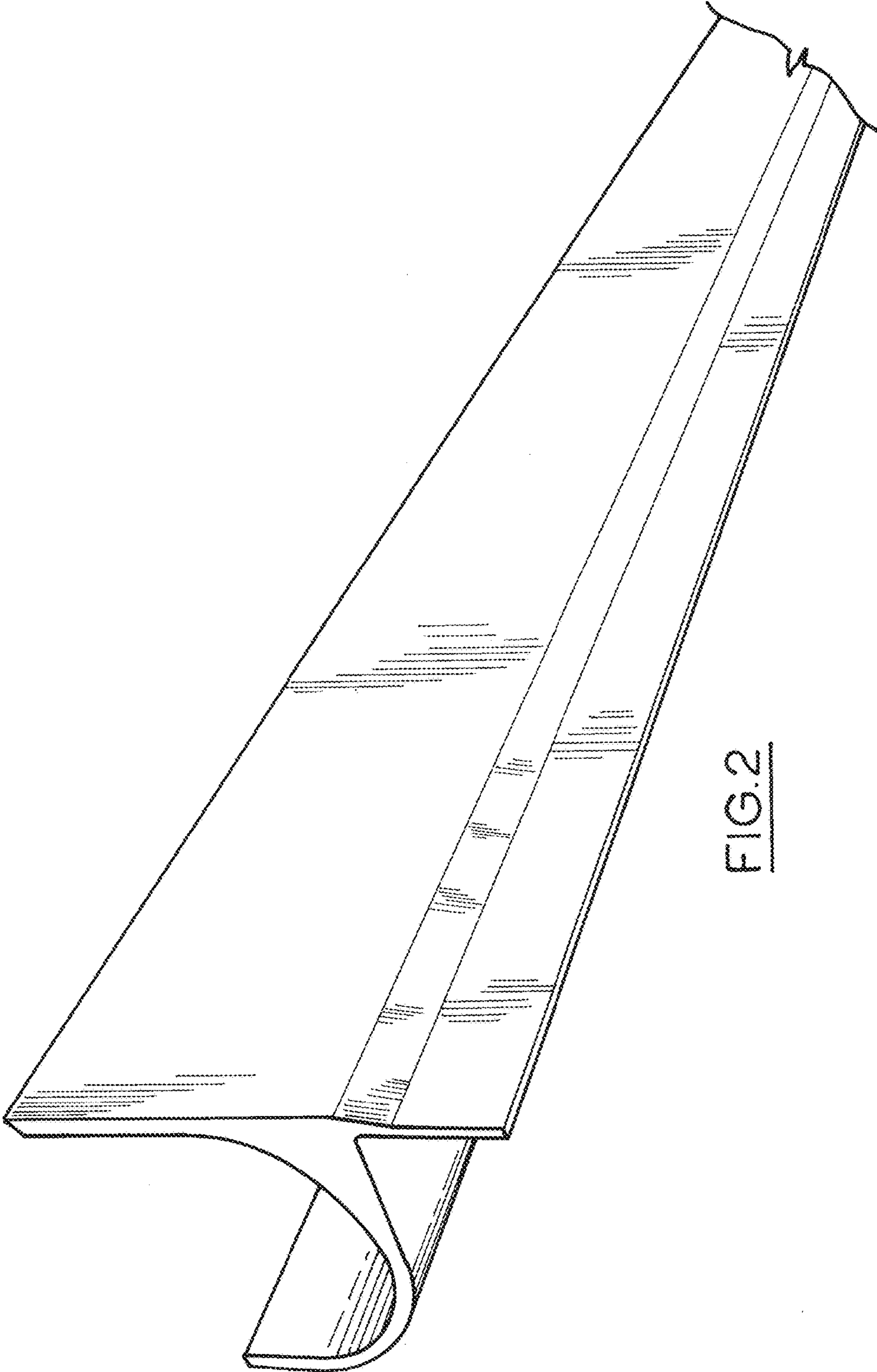


FIG. 2

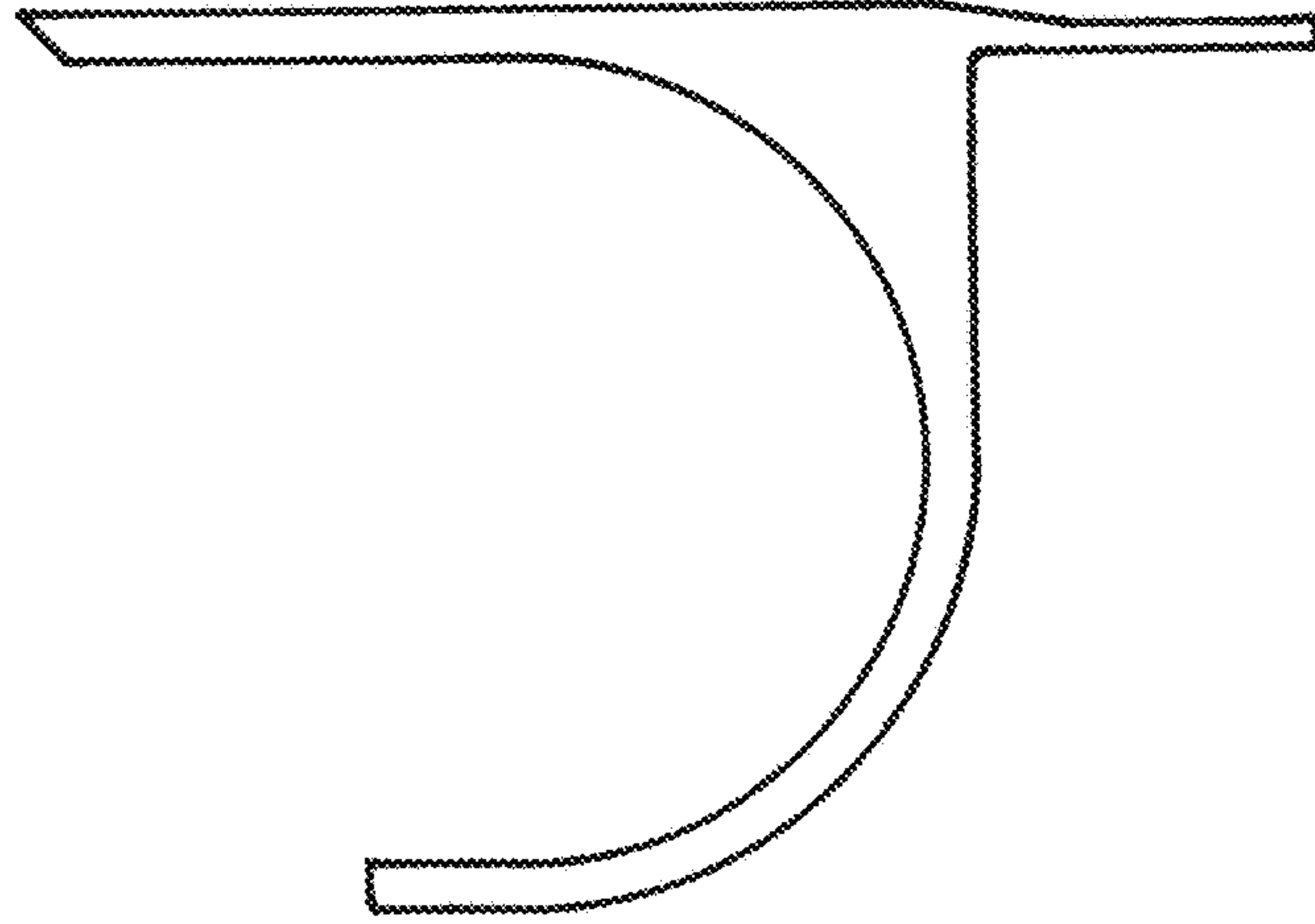


FIG. 4

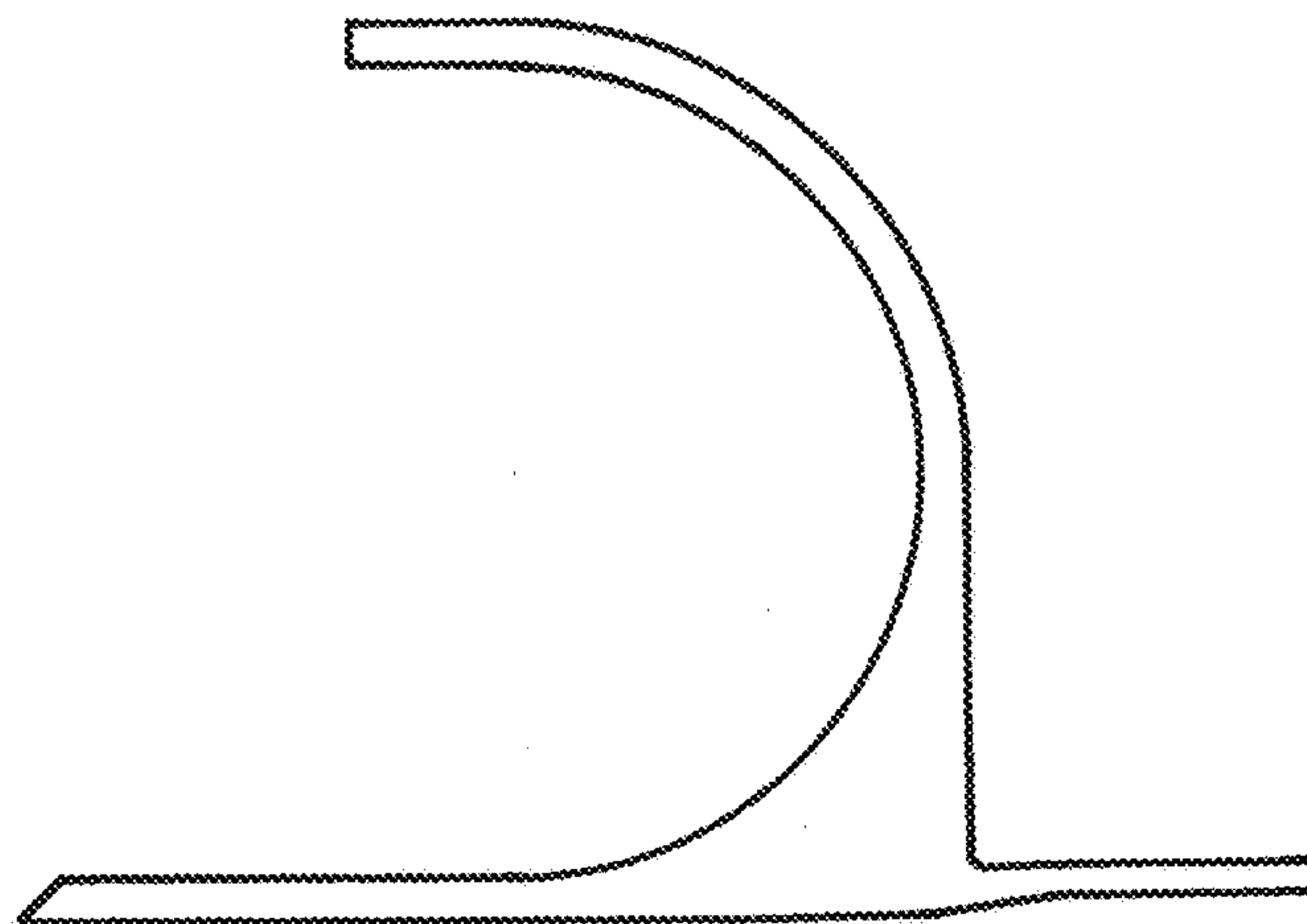


FIG. 3

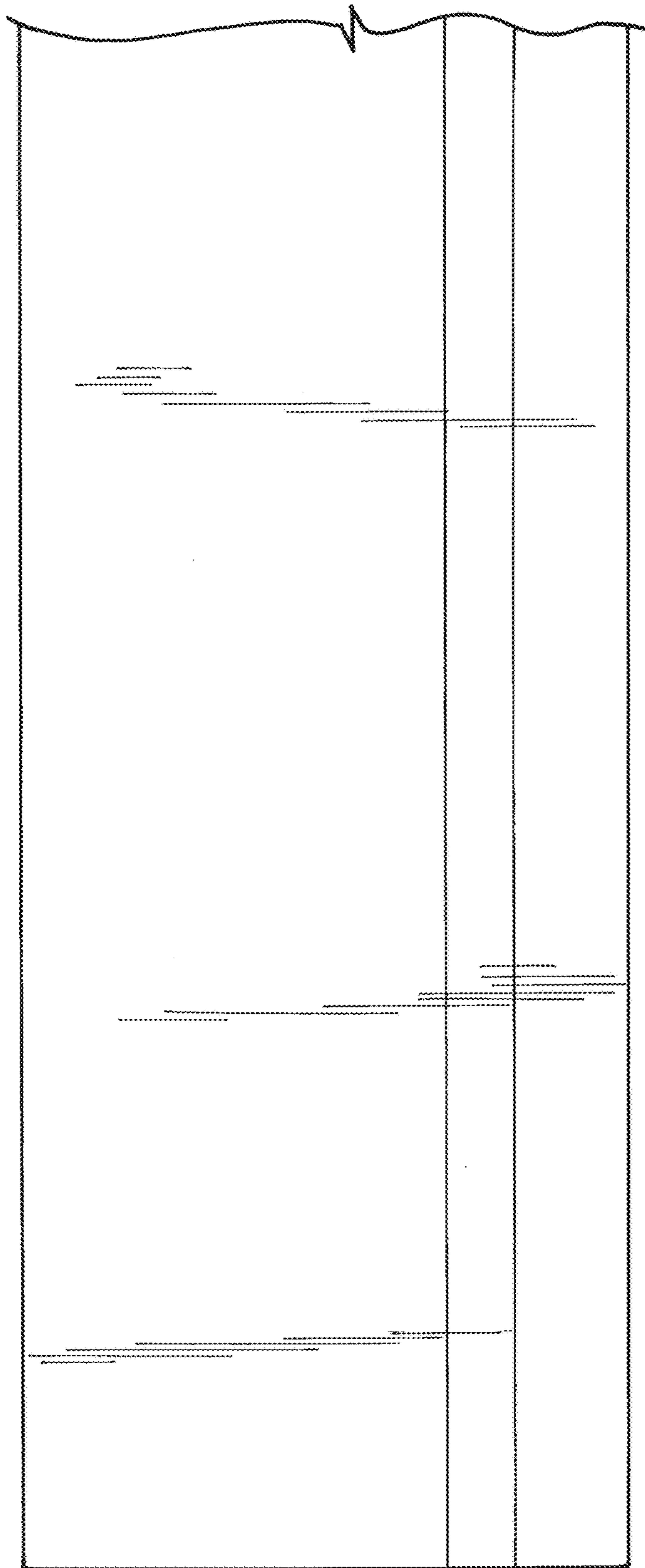
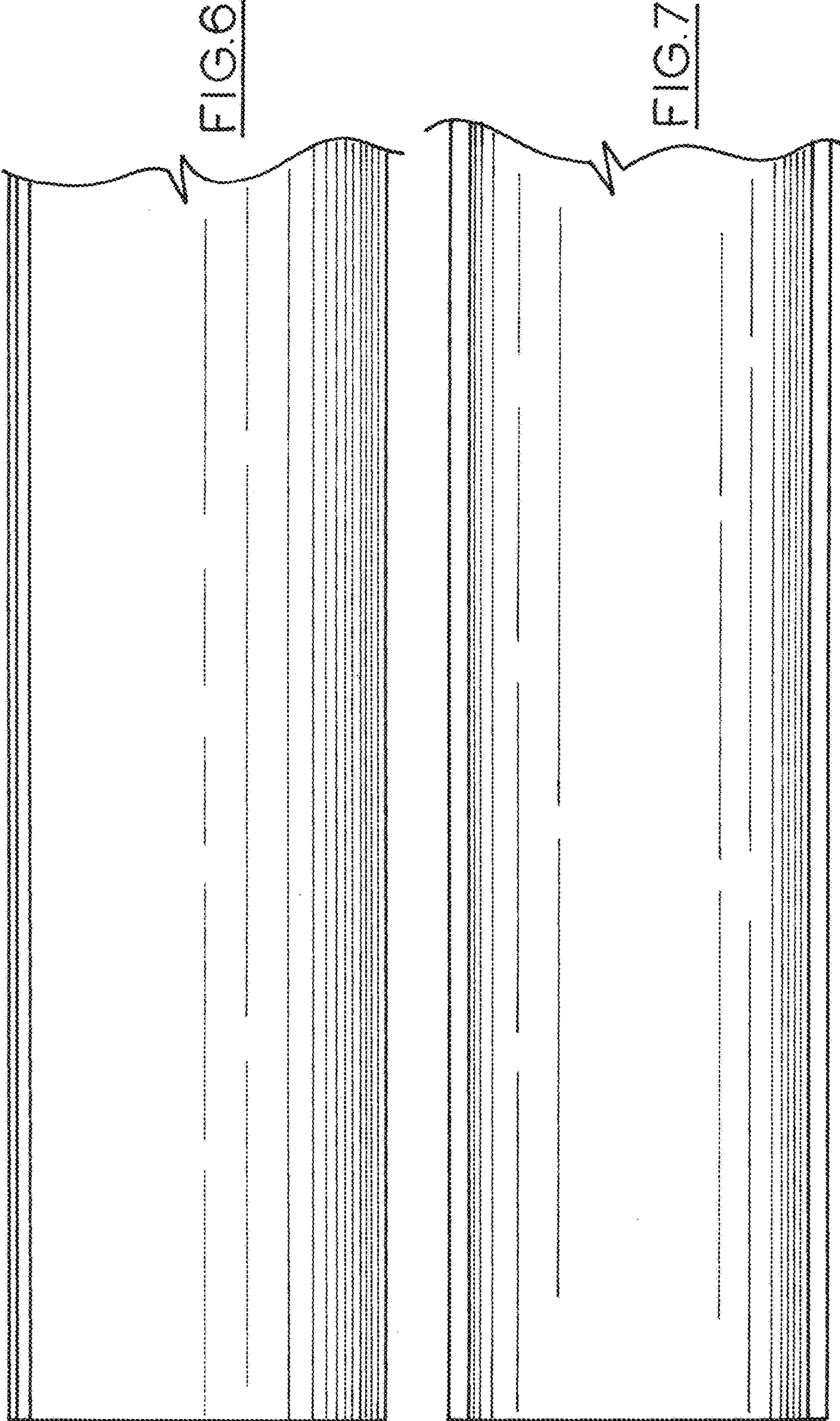


FIG. 5



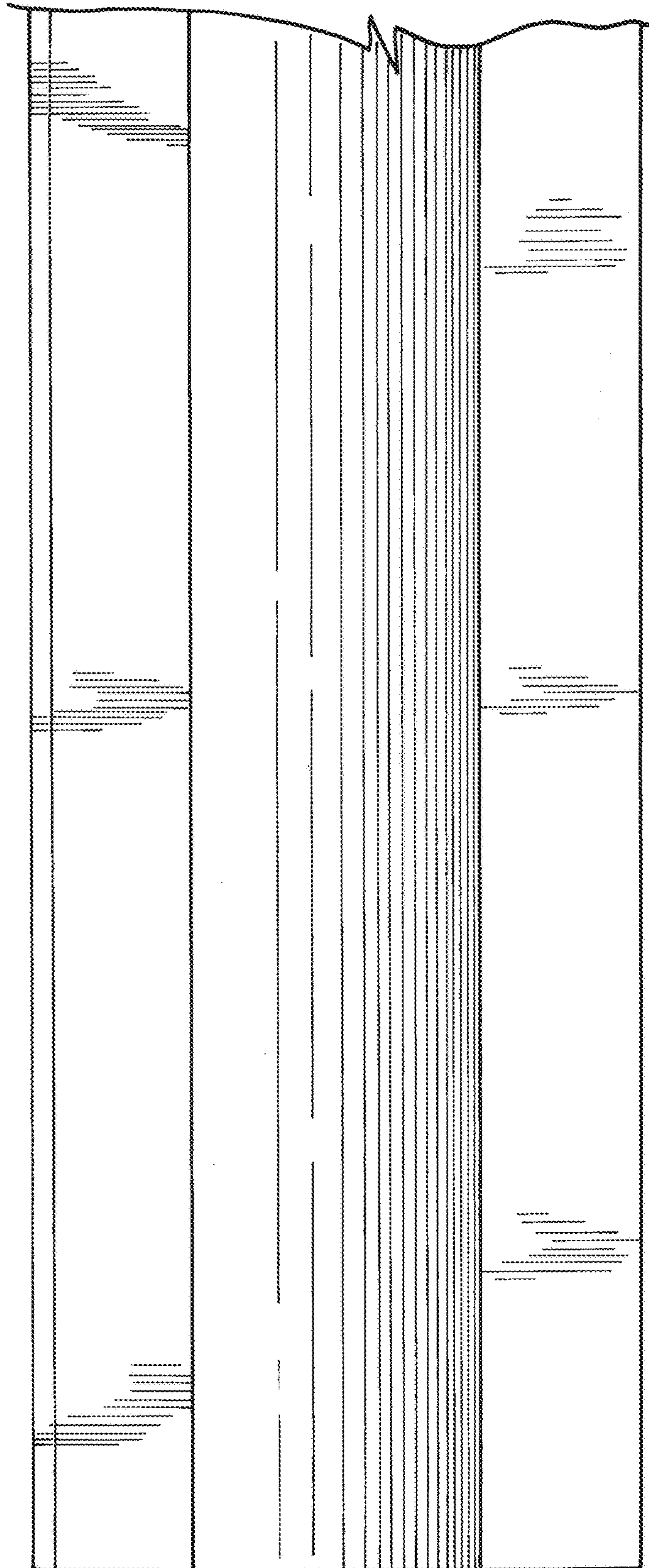


FIG. 8