

US00D789498S

(12) **United States Design Patent**
Dean

(10) **Patent No.:** **US D789,498 S**
(45) **Date of Patent:** **** Jun. 13, 2017**

(54) **CULVERT COUPLER**

(71) Applicant: **Osceola Machine Works & Manufacturing, Inc.**, Osceola, AR (US)

(72) Inventor: **Billy Wayne Dean**, Osceola, AR (US)

(**) Term: **14 Years**

(21) Appl. No.: **29/518,607**

(22) Filed: **Feb. 25, 2015**

(51) **LOC (10) Cl.** **23-01**

(52) **U.S. Cl.**
USPC **D23/262**

(58) **Field of Classification Search**

USPC D23/233–237, 249, 259–269, 393, 499;
D24/129; D13/149; D8/356, 382–383,
D8/394, 396–397, 399; D32/25
(Continued)

(56) **References Cited**

U.S. PATENT DOCUMENTS

5,145,217 A * 9/1992 Anderson D06F 58/20
285/144.1
D488,852 S * 4/2004 Pampinella D23/262
(Continued)

Primary Examiner — Eric Goodman

Assistant Examiner — Amy Wierenga

(74) *Attorney, Agent, or Firm* — Joe D. Calhoun

(57) **CLAIM**

The ornamental design for a culvert coupler, as shown and described.

DESCRIPTION

FIG. 1 is a perspective view of a first embodiment of a culvert coupler shown in a resting configuration.

FIG. 2 is a perspective view of the culvert coupler of FIG. 1, with unclaimed fasteners holding the coupler in a position of use.

FIG. 3 is a top plan view of the culvert coupler of FIG. 2, with the culvert and fasteners removed.

FIG. 4 is a bottom plan view of the culvert coupler of FIG. 3.

FIG. 5 is a front elevation view of the culvert coupler of FIG. 3.

FIG. 6 is a rear elevation view of the culvert coupler of FIG. 3, with the unclaimed anchor plate removed.

FIG. 7 is a left side elevation view of the culvert coupler of FIG. 3.

FIG. 8 is a right side elevation view of the culvert coupler of FIG. 3.

FIG. 9 is a perspective view of a second embodiment of a culvert coupler shown in a resting configuration.

FIG. 10 is a top plan view of the culvert coupler of FIG. 9.

FIG. 11 is a bottom plan view of the culvert coupler of FIG. 10.

FIG. 12 is a front elevation view of the culvert coupler of FIG. 10.

FIG. 13 is a rear elevation view of the culvert coupler of FIG. 10, with the unclaimed anchor plate removed.

FIG. 14 is a left side elevation view of the culvert coupler of FIG. 10.

FIG. 15 is a right side elevation view of the culvert coupler of FIG. 10.

FIG. 16 is a perspective view of a third embodiment of a culvert coupler in a resting configuration.

FIG. 17 is a top plan view of the culvert coupler of FIG. 16.

FIG. 18 is a bottom plan view of the culvert coupler of FIG. 17.

FIG. 19 is a front elevation view of the culvert coupler of FIG. 17.

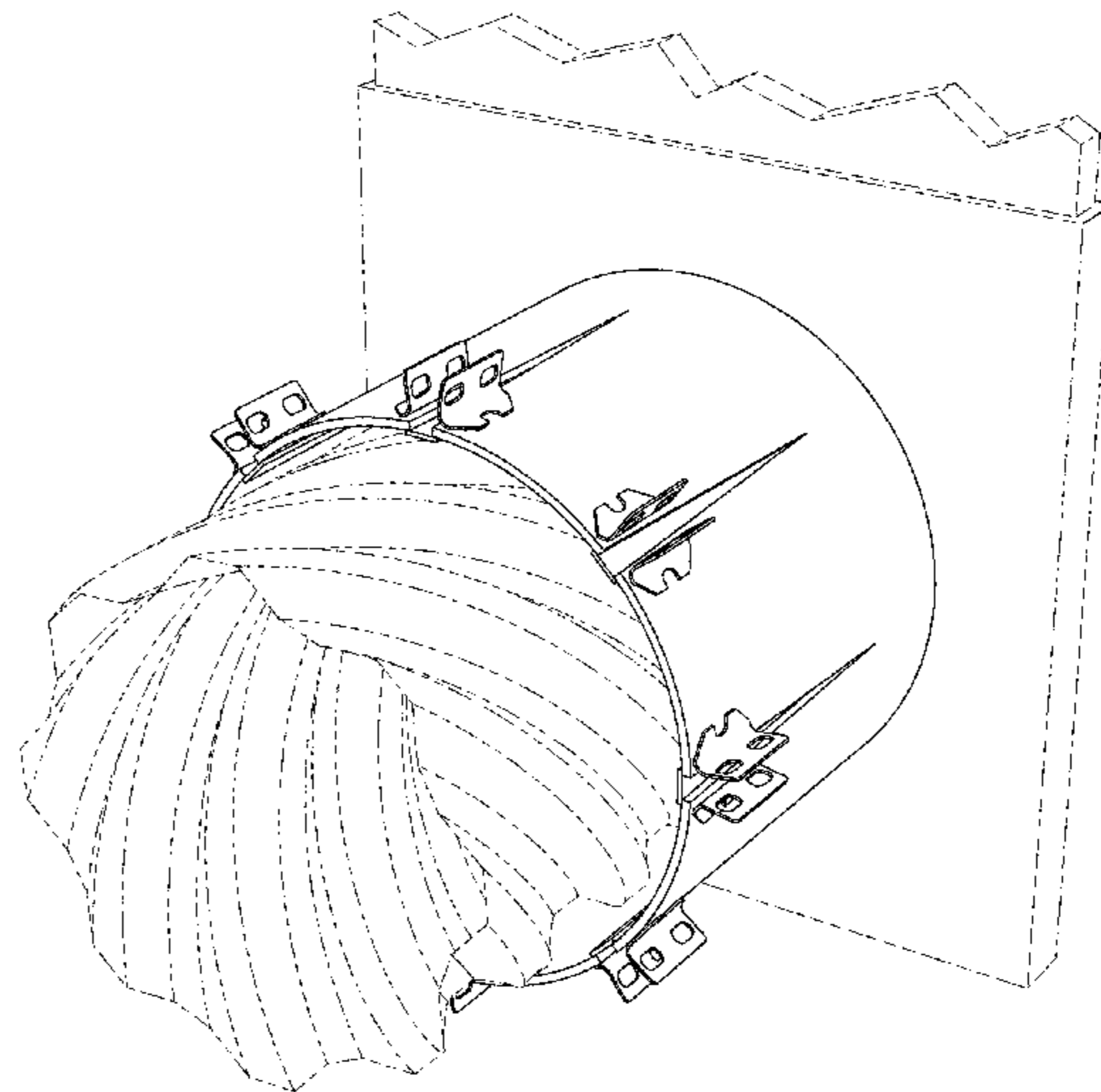
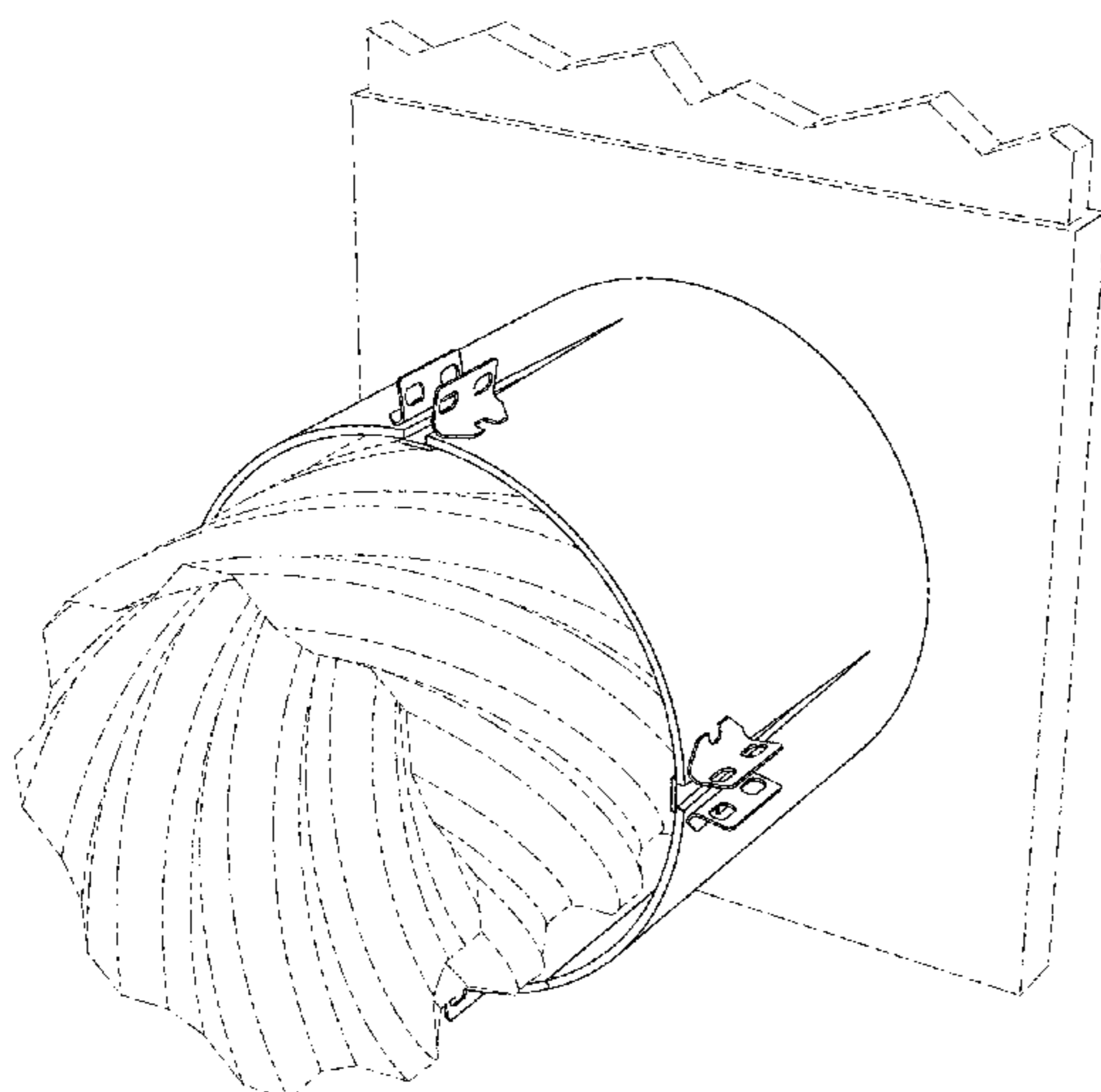
FIG. 20 is a rear elevation view of the culvert coupler of FIG. 17, with the unclaimed anchor plate removed.

FIG. 21 is a left side elevation view of the culvert coupler of FIG. 17; and,

FIG. 22 is a right side elevation view of the culvert coupler of FIG. 17.

The broken line shown in the drawings is for the purpose of illustrating environment that forms no part of the claim.

1 Claim, 22 Drawing Sheets



(58) **Field of Classification Search**

CPC F16L 43/001; F16L 19/04; F16L 19/005;
F16L 19/0218; F16L 55/1152; F16L
27/04; F16L 27/073; F16L 25/14; E21B
17/042; B29C 70/345; B29C 70/462;
H01R 4/58; F16N 21/06; F16B 39/24;
F16B 39/26; F16B 37/02; F16B 31/02;
D06F 58/10; A62C 3/00

See application file for complete search history.

(56) **References Cited**

U.S. PATENT DOCUMENTS

D565,707	S *	4/2008	Brockington	D23/262
D574,472	S *	8/2008	Kanao	D23/262
D608,865	S *	1/2010	Henry	D23/262
D609,789	S *	2/2010	Milnes	D23/262
D612,462	S *	3/2010	Shah	D23/262
D616,072	S *	5/2010	Henry	D23/262
D616,532	S *	5/2010	Madara	D23/262
D635,239	S *	3/2011	Liebson	D23/393
8,469,062	B2 *	6/2013	Liebson	B21C 37/154 138/125
D710,485	S *	8/2014	Nudo	D23/262
D713,944	S *	9/2014	Luke	D23/262
D717,409	S *	11/2014	Buchanan	D23/262
2013/0026753	A1 *	1/2013	Flanery	F16L 25/14 285/322
2013/0324028	A1 *	12/2013	Sandman	F24F 13/10 454/333
2015/0240410	A1 *	8/2015	Tamburro	A62C 2/00 169/56

* cited by examiner

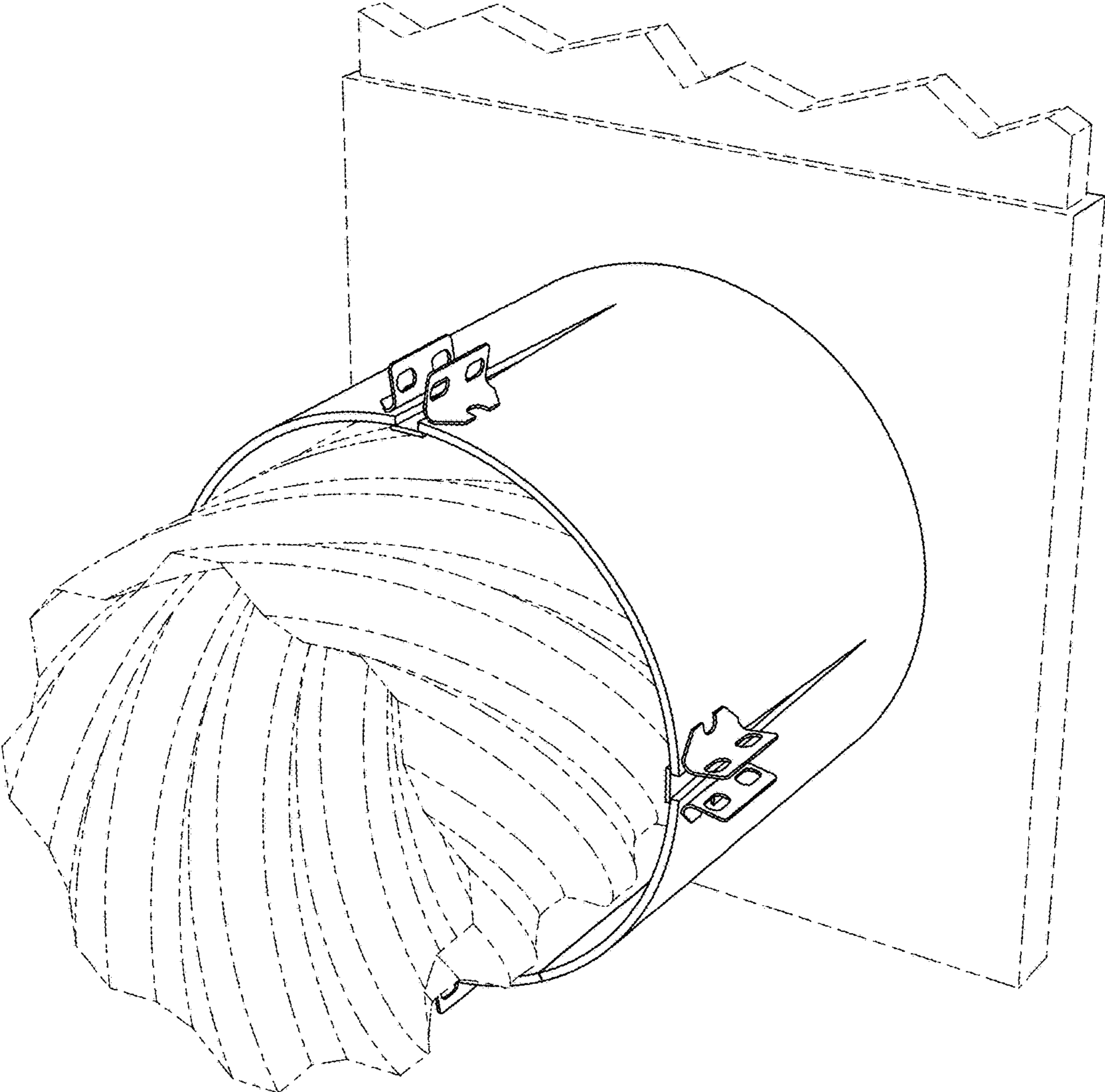


FIG. 1

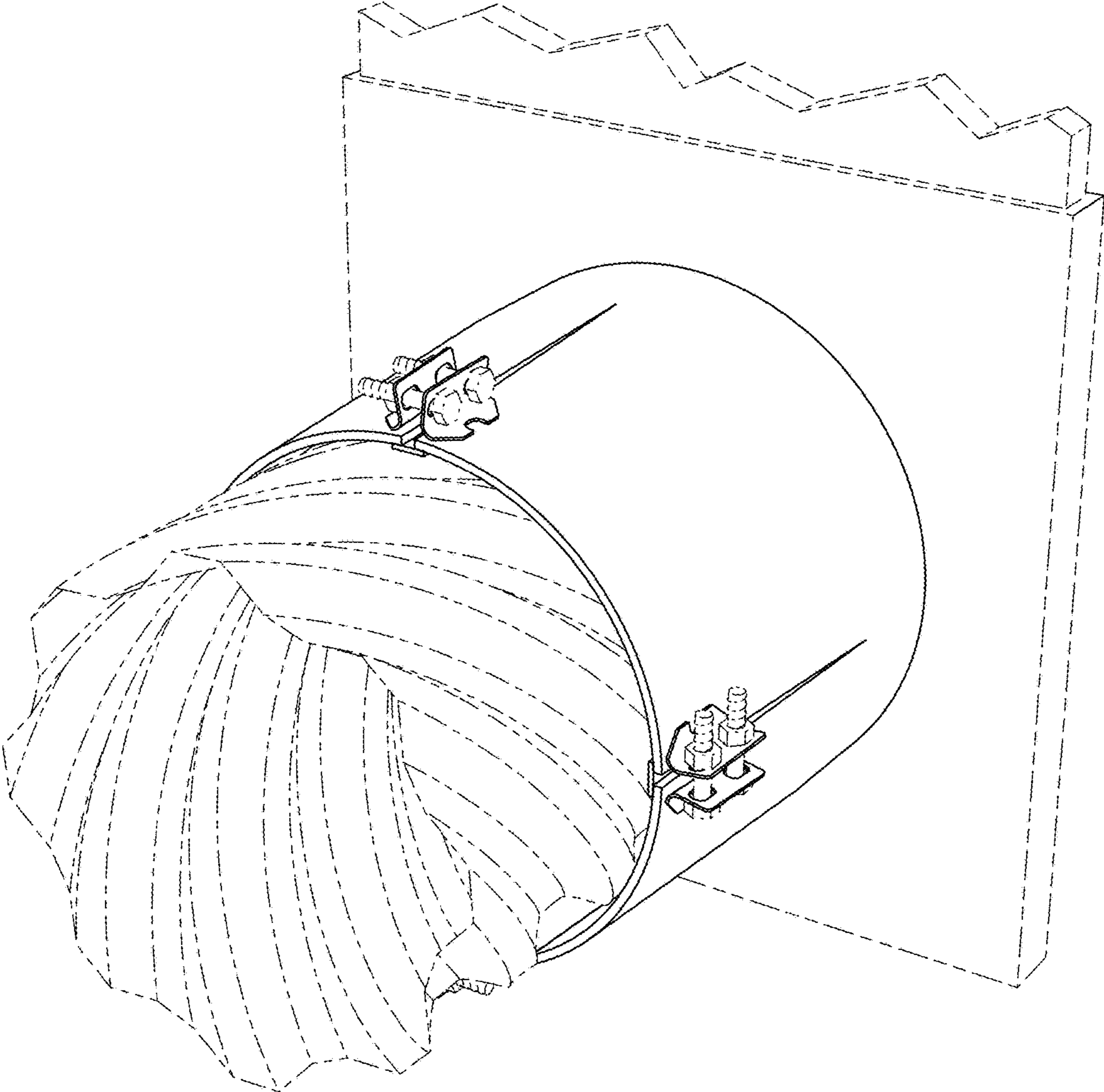


FIG. 2

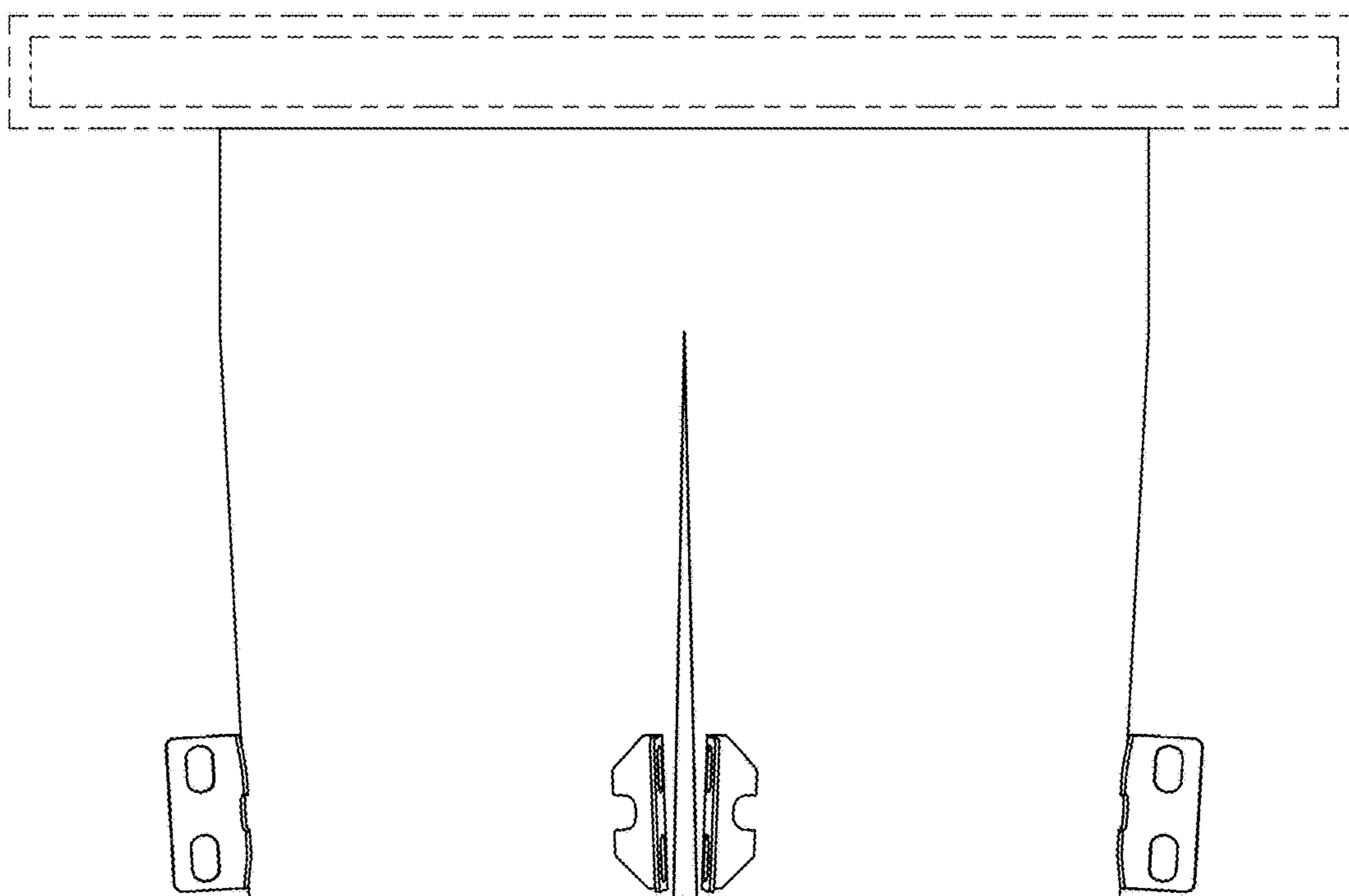


FIG. 3

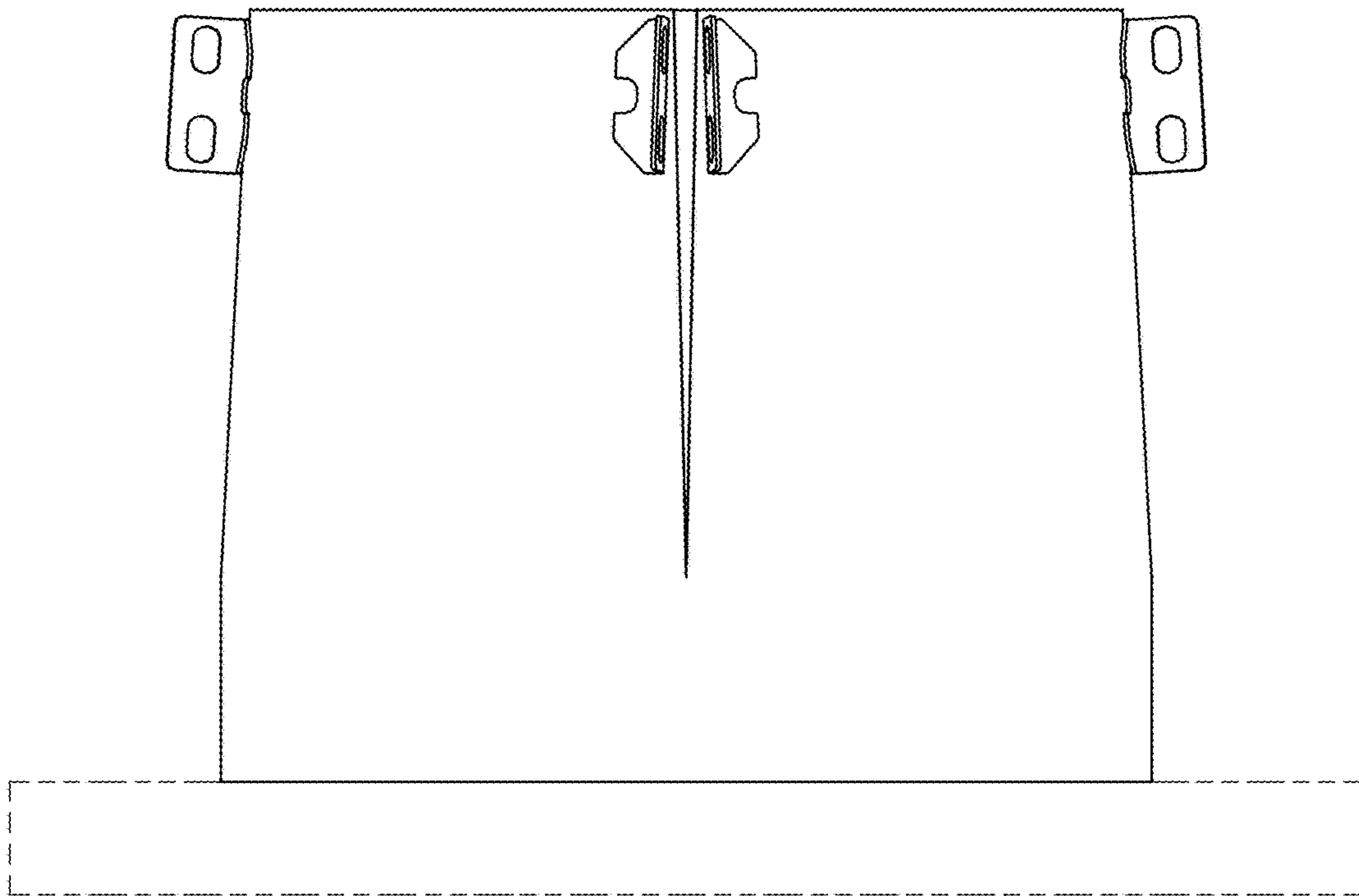


FIG. 4

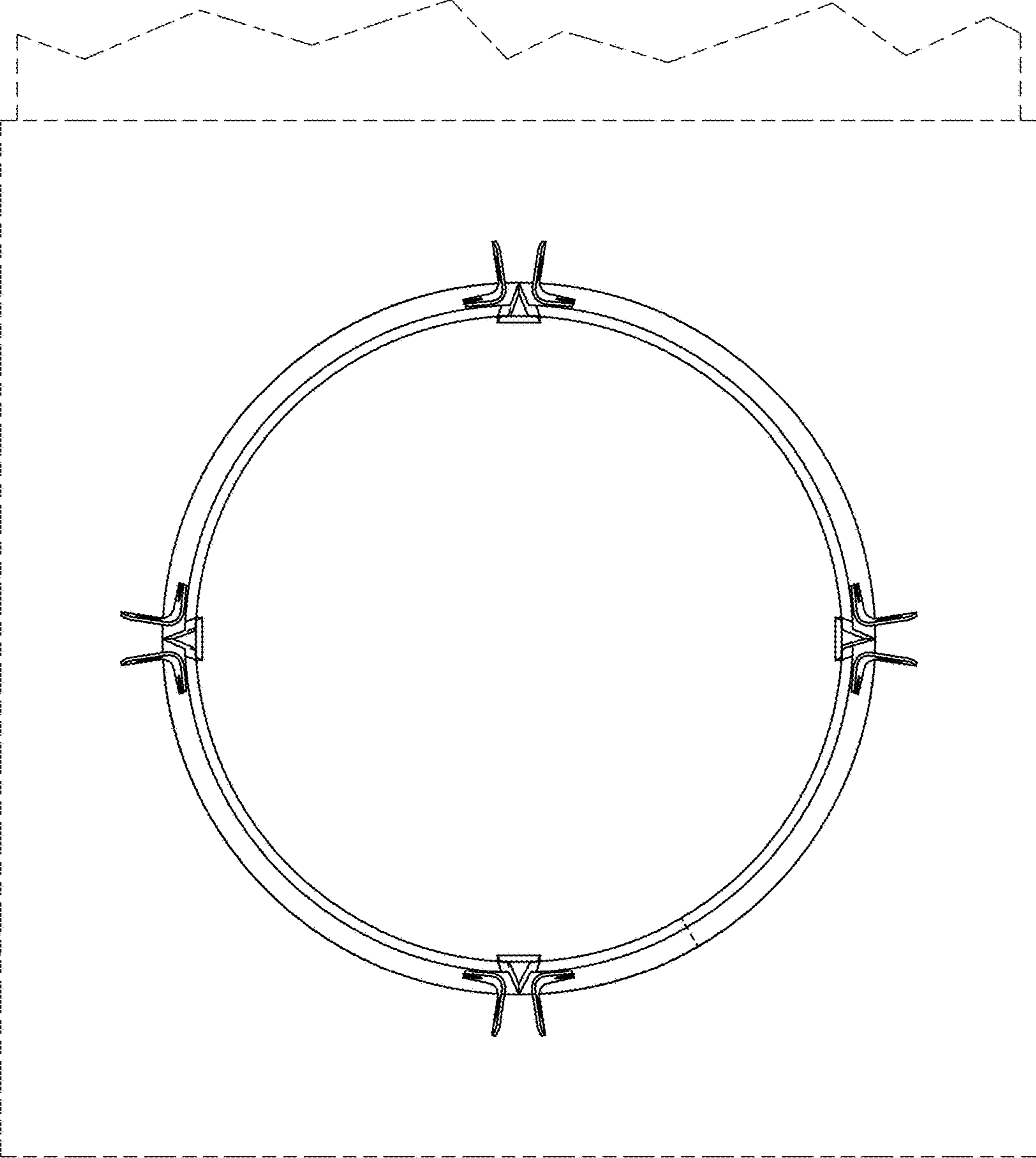


FIG. 5

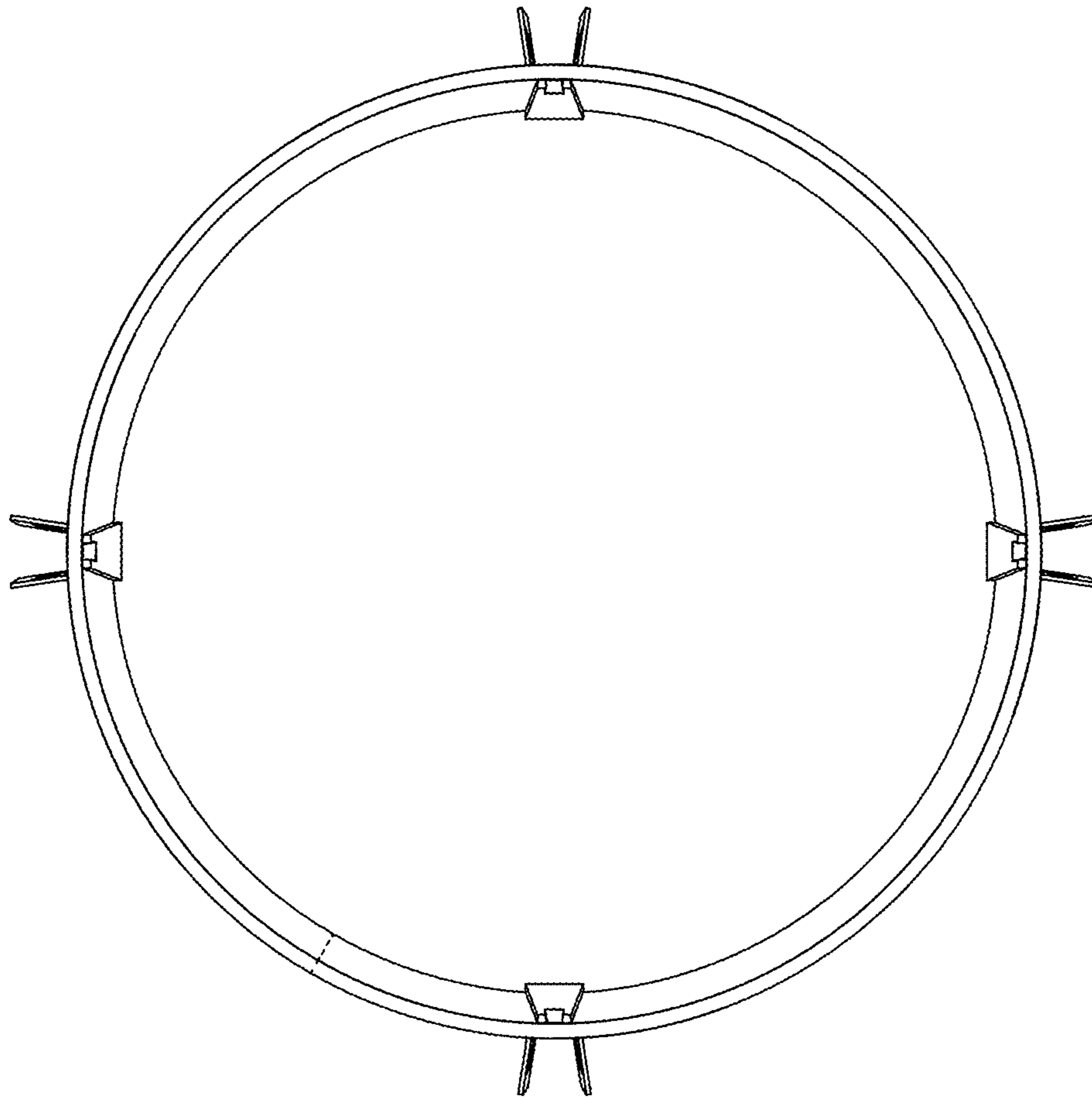


FIG. 6

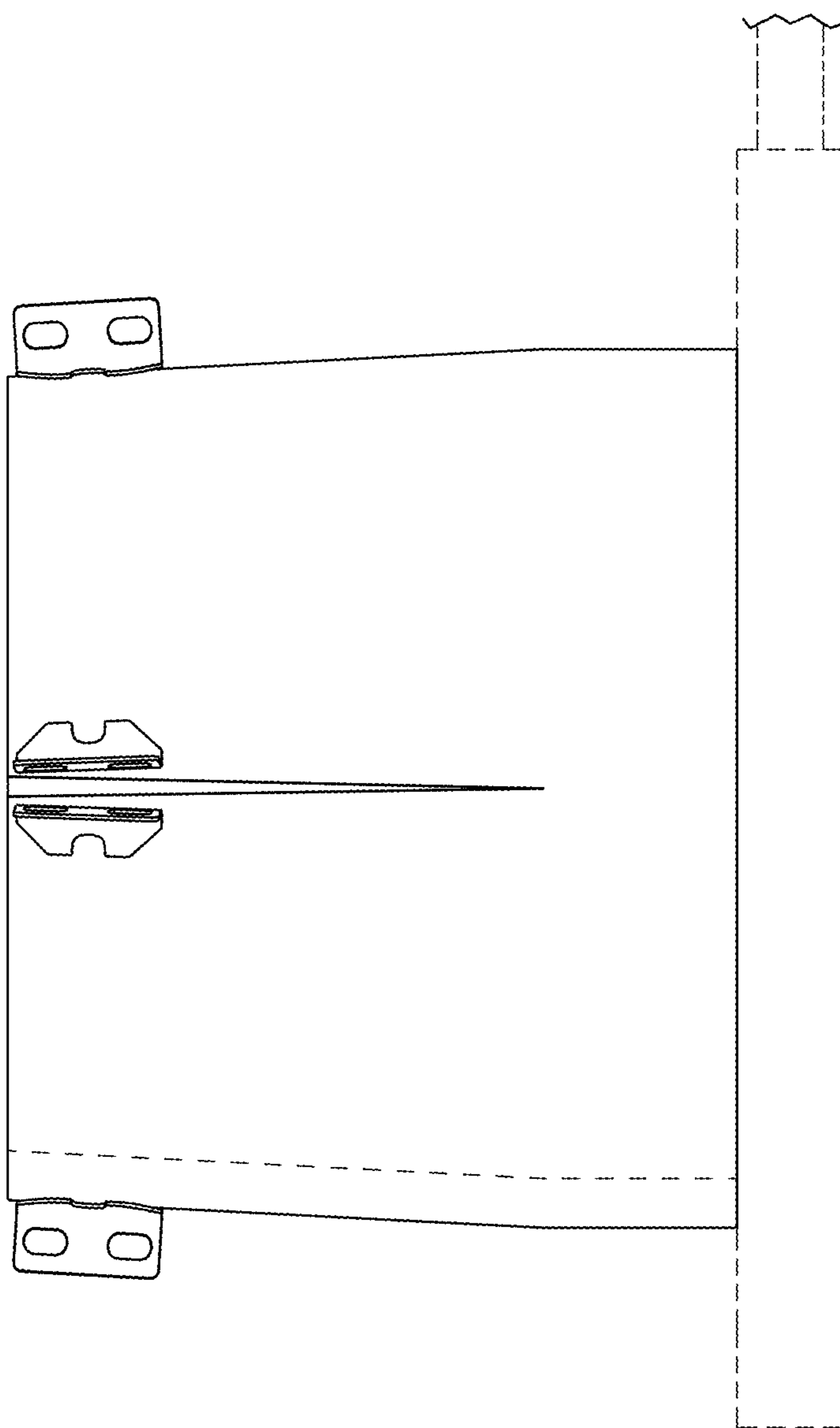


FIG. 7

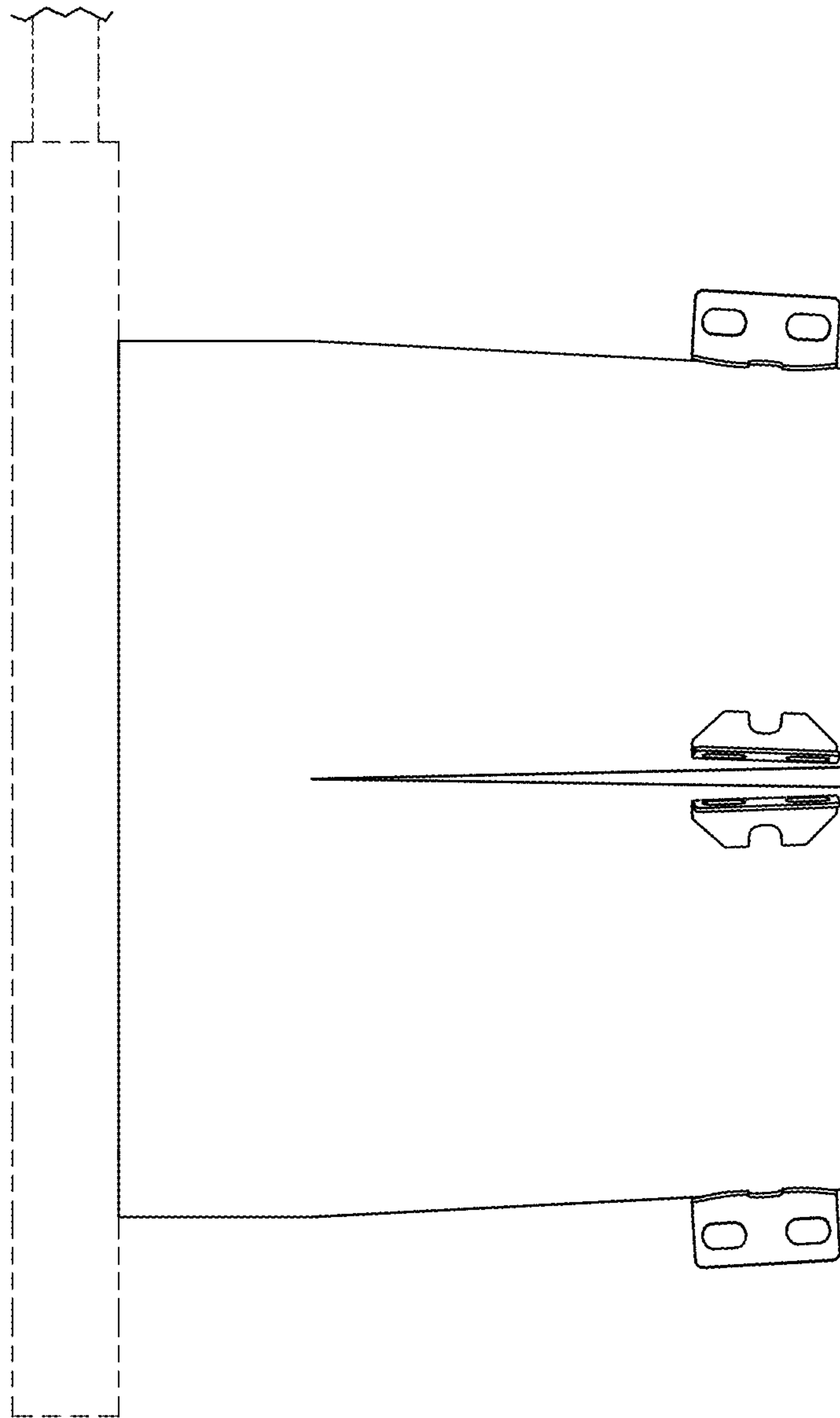


FIG. 8

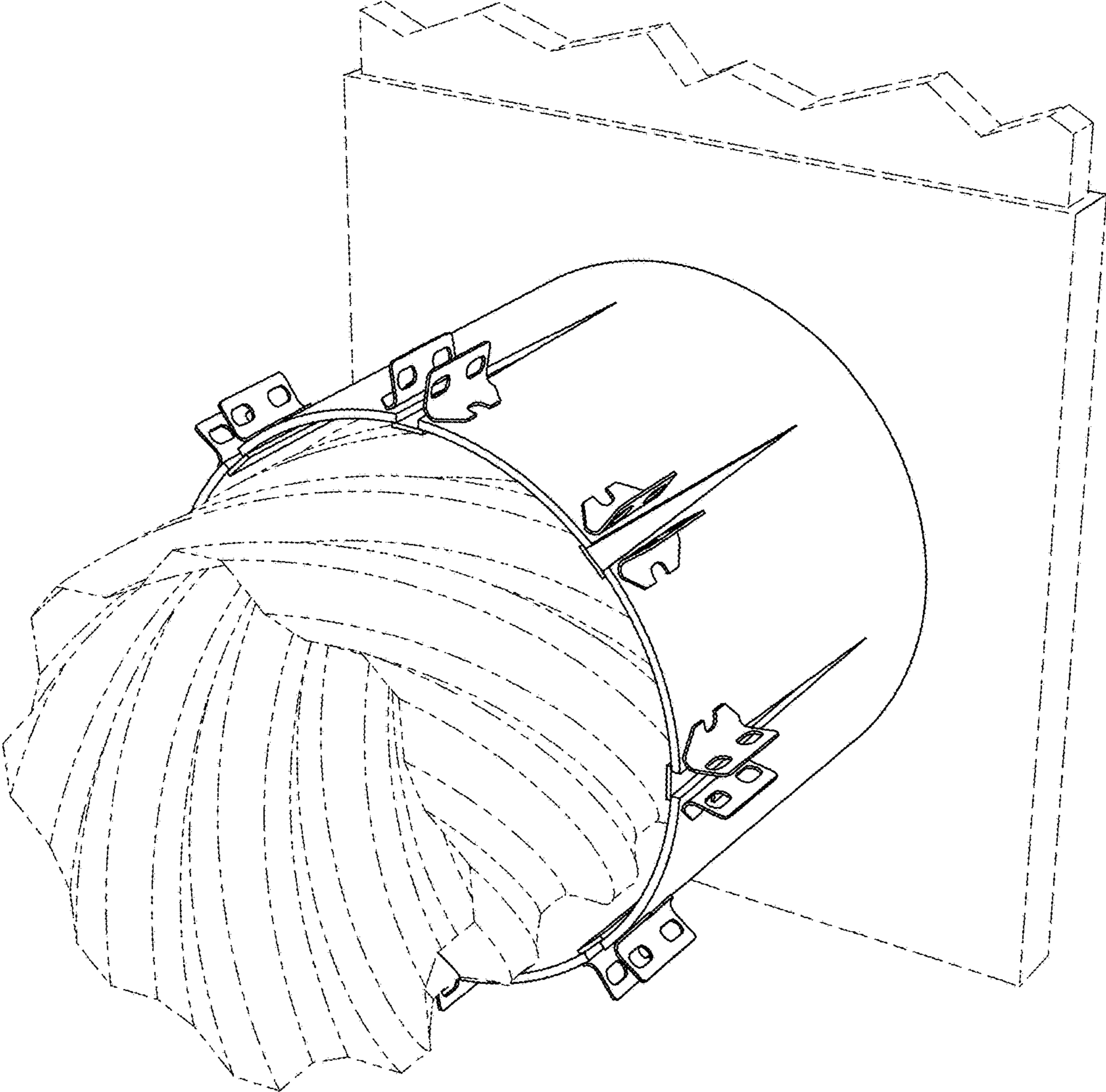


FIG. 9

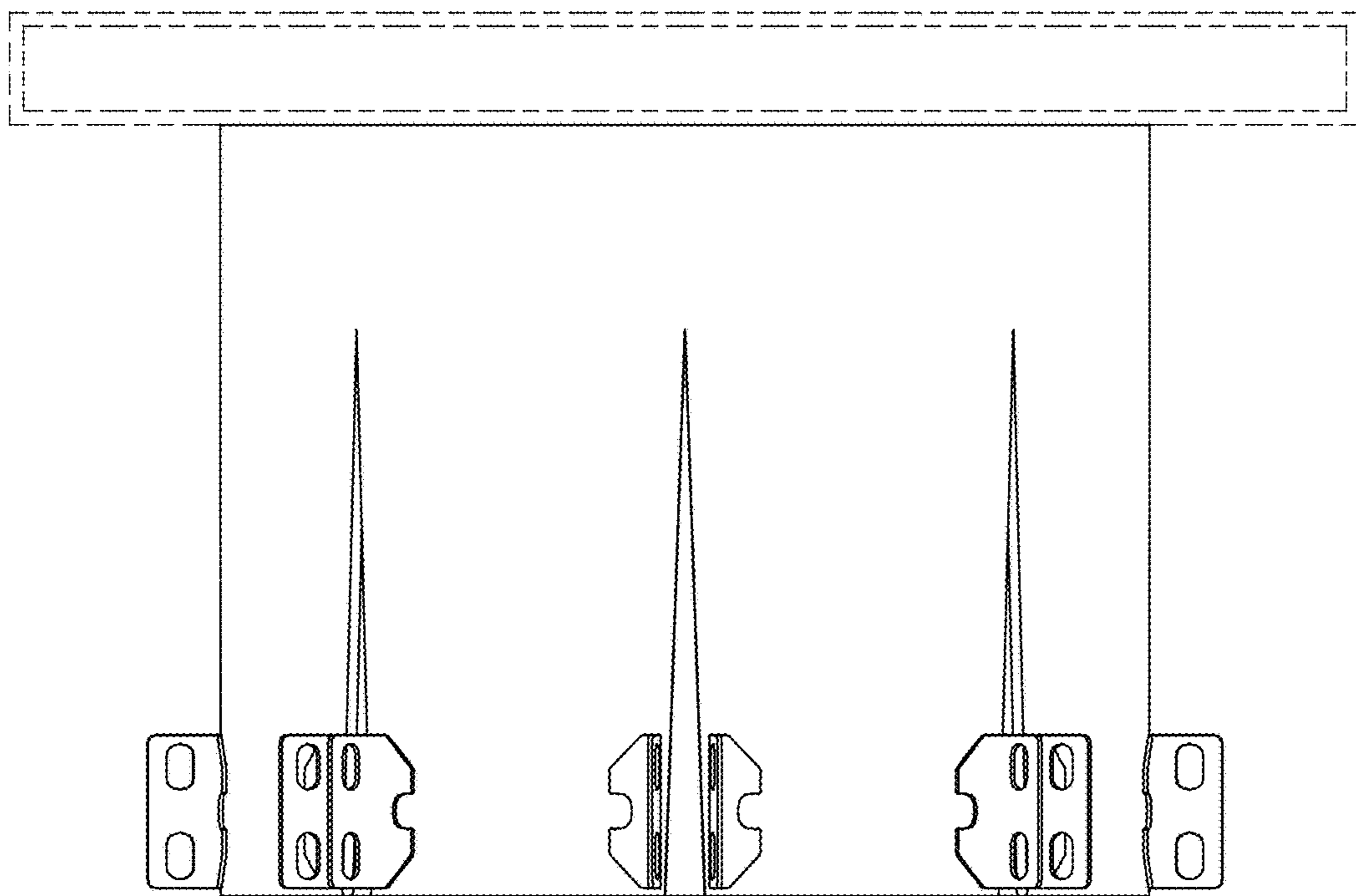


FIG. 10

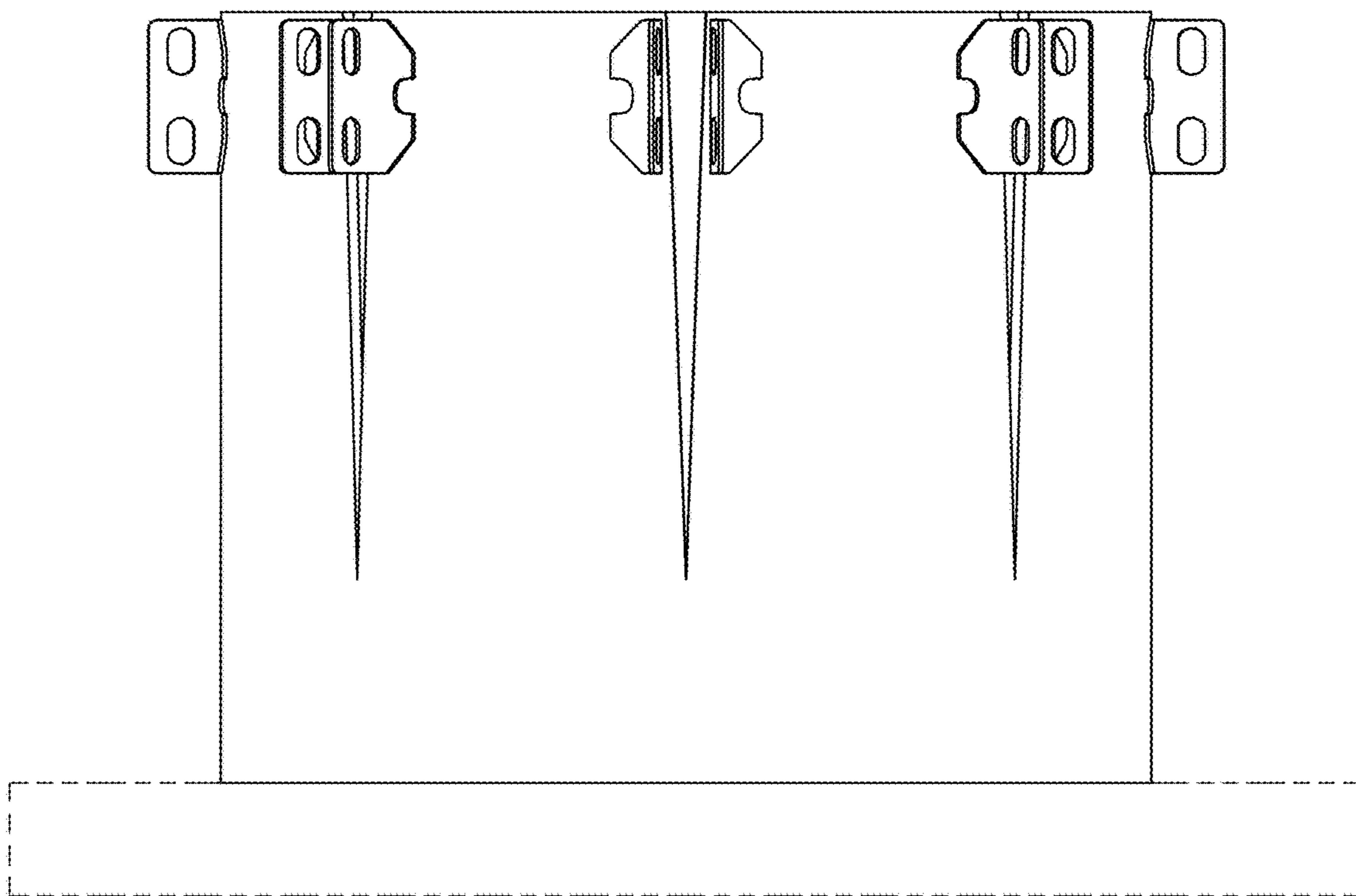


FIG. 11

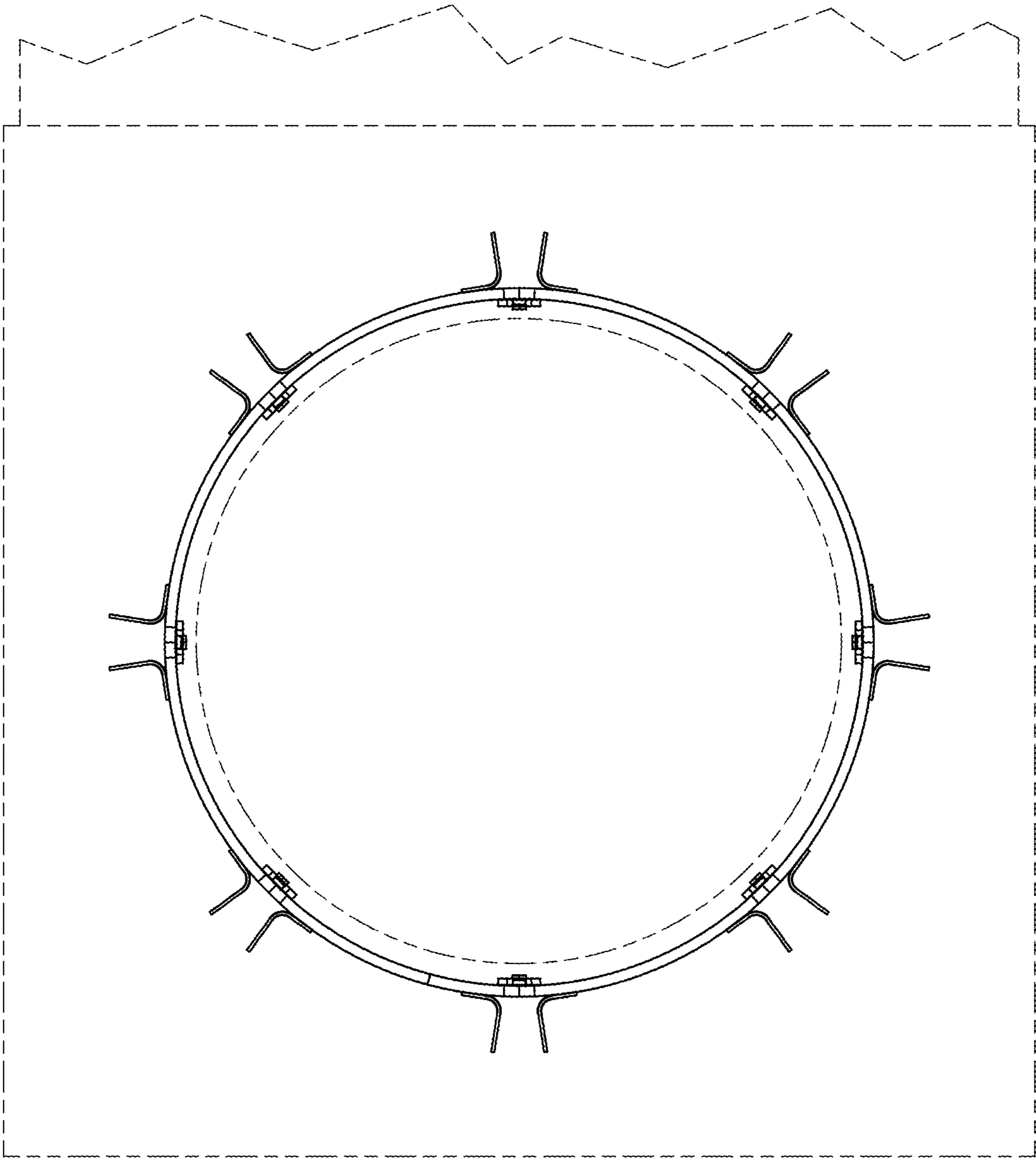


FIG. 12

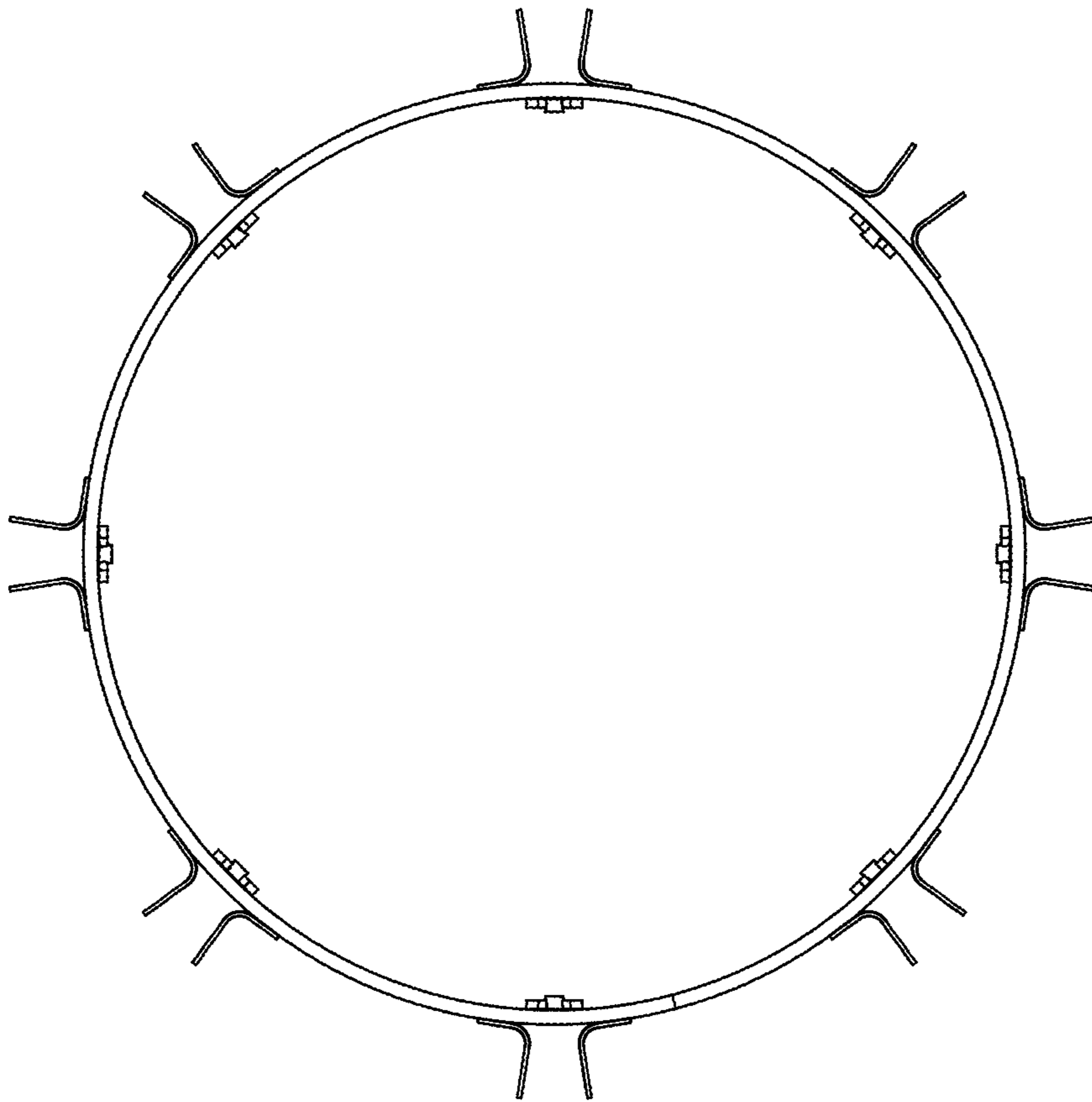


FIG. 13

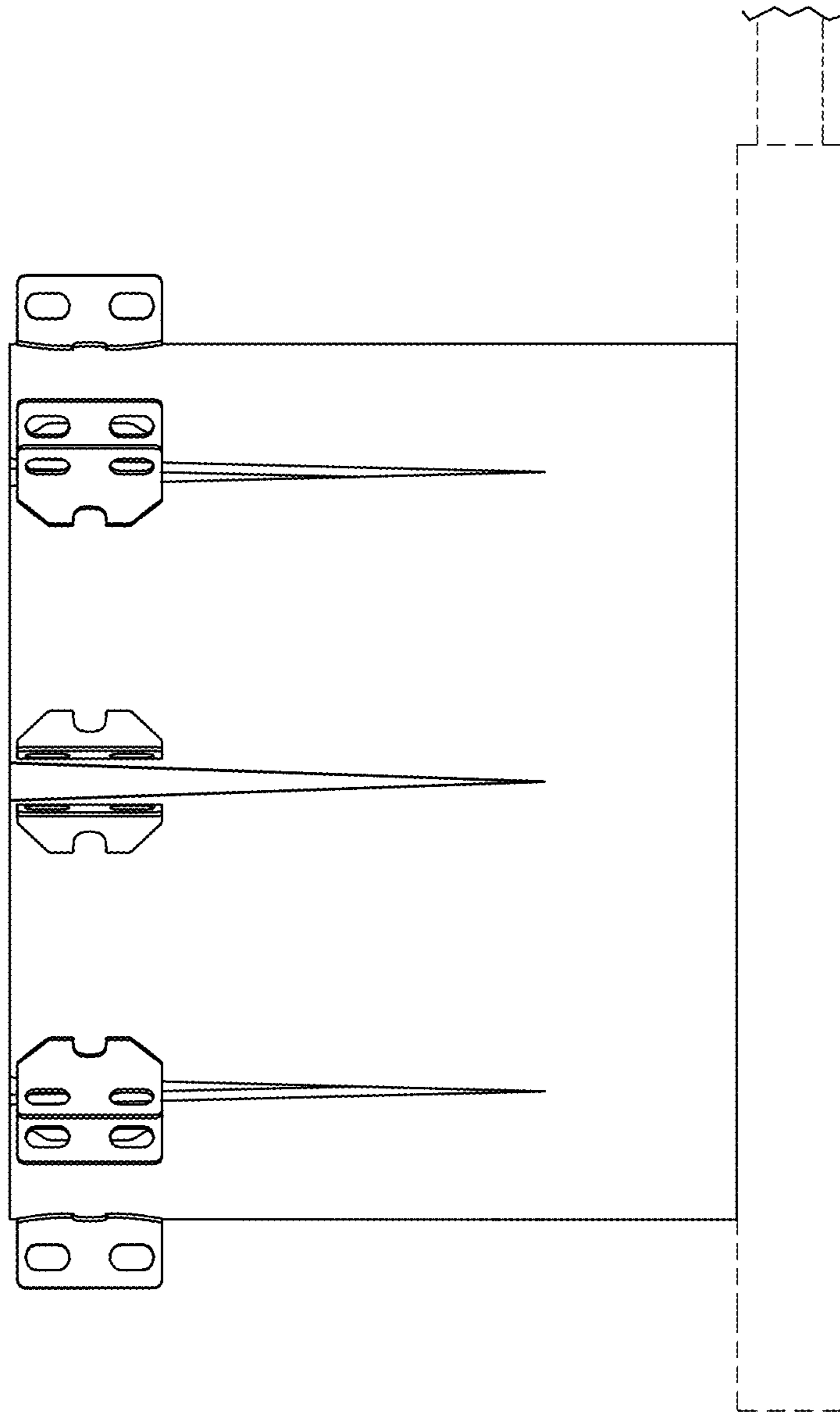


FIG. 14

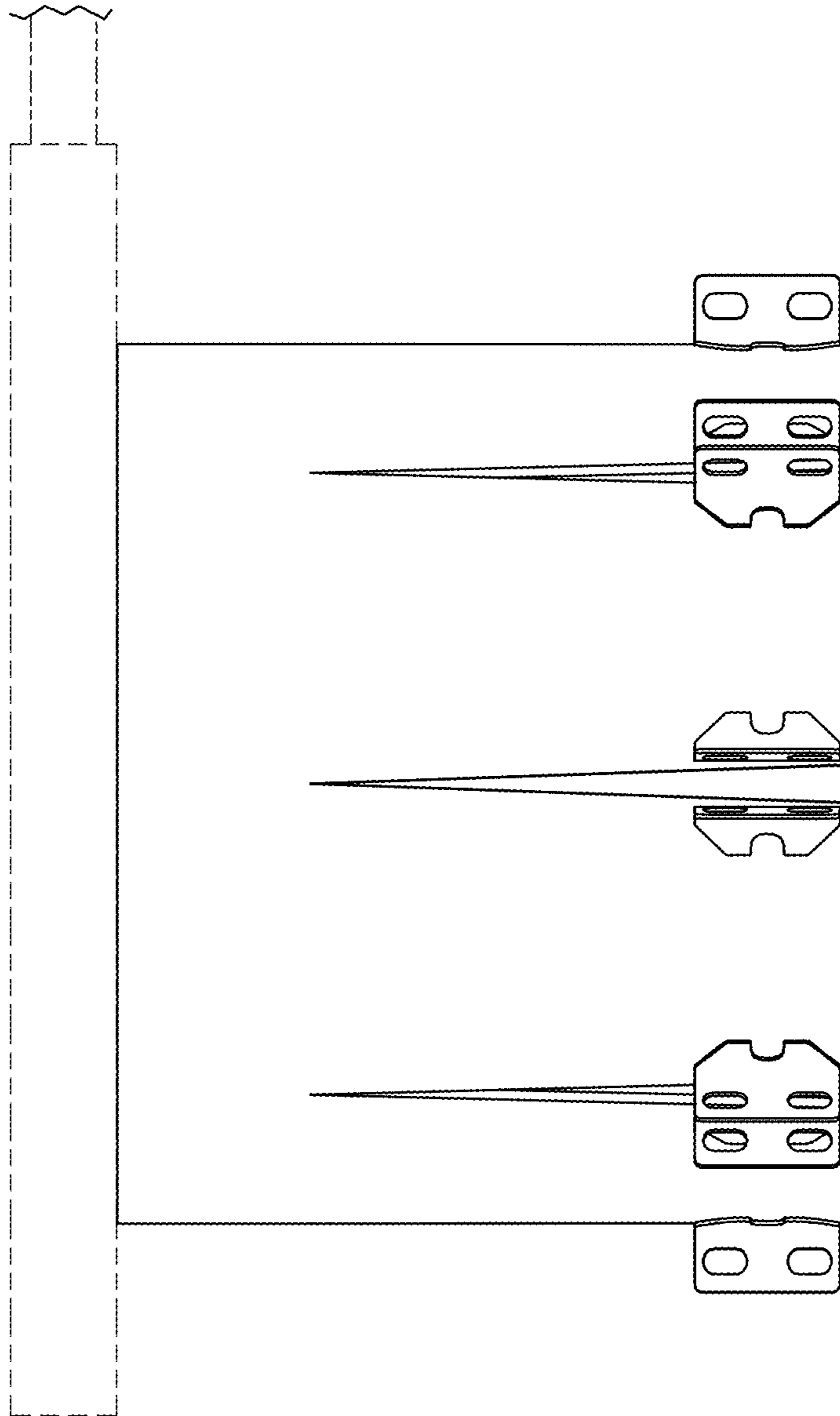


FIG. 15

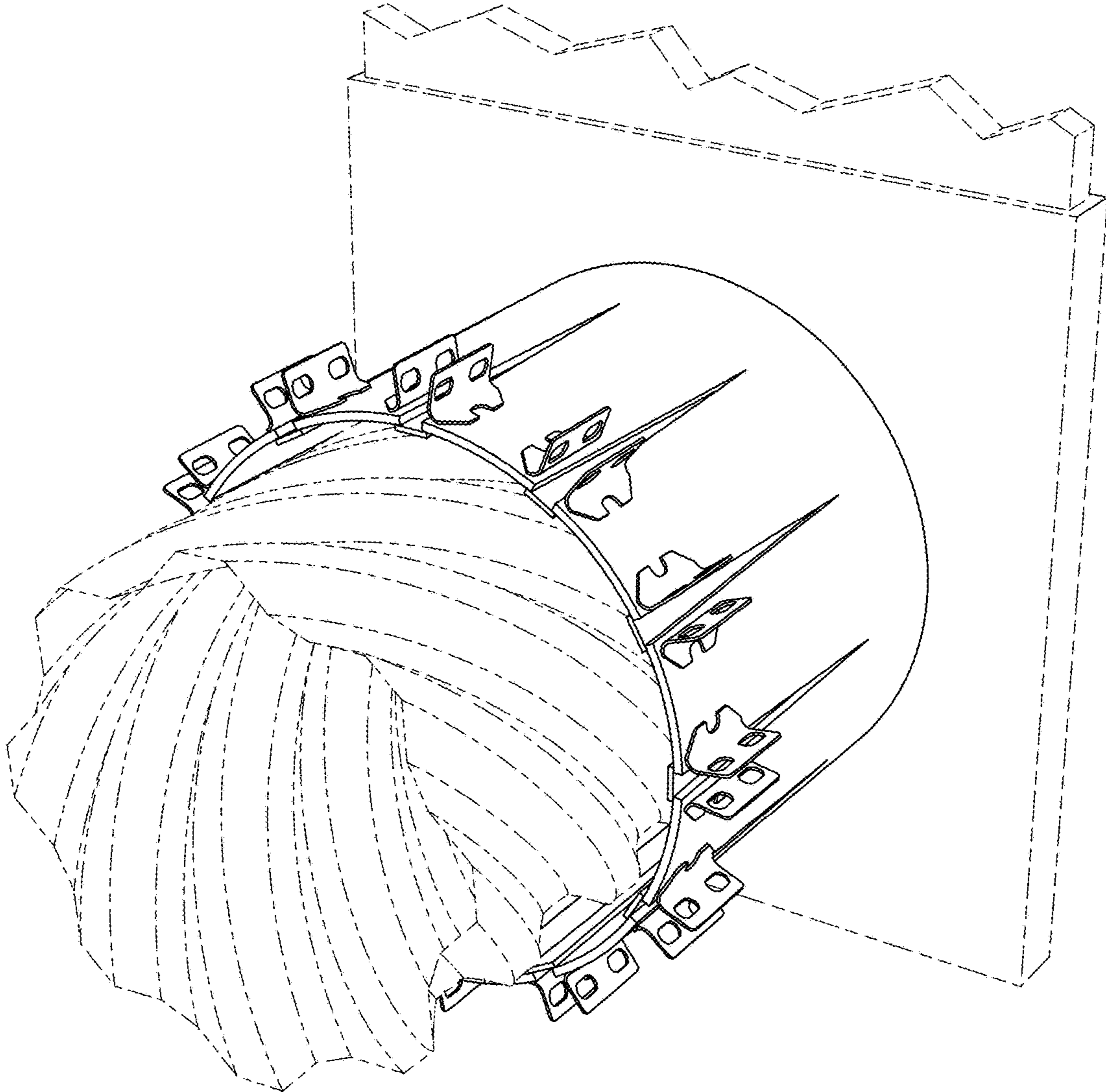


FIG. 16

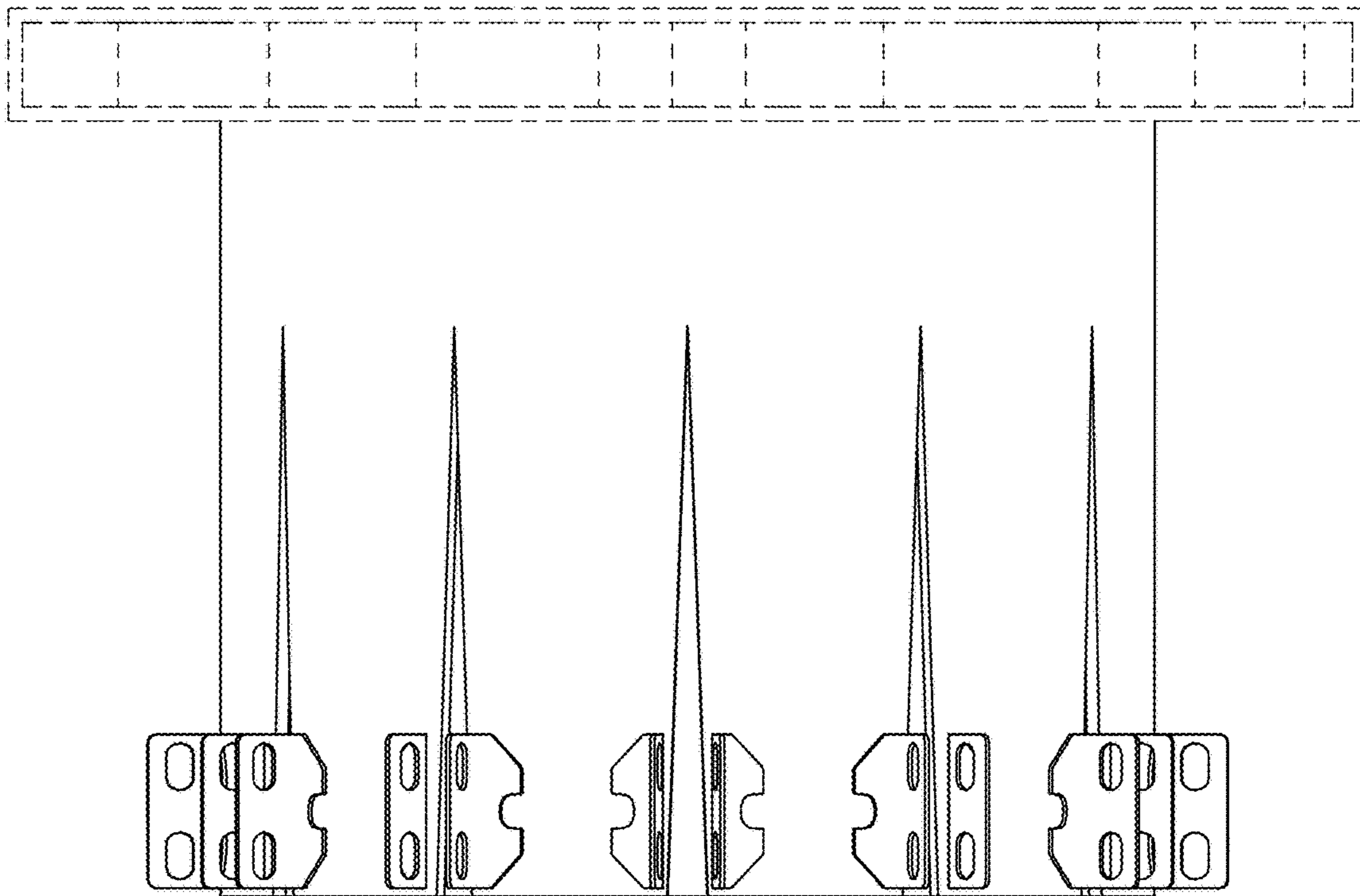


FIG. 17

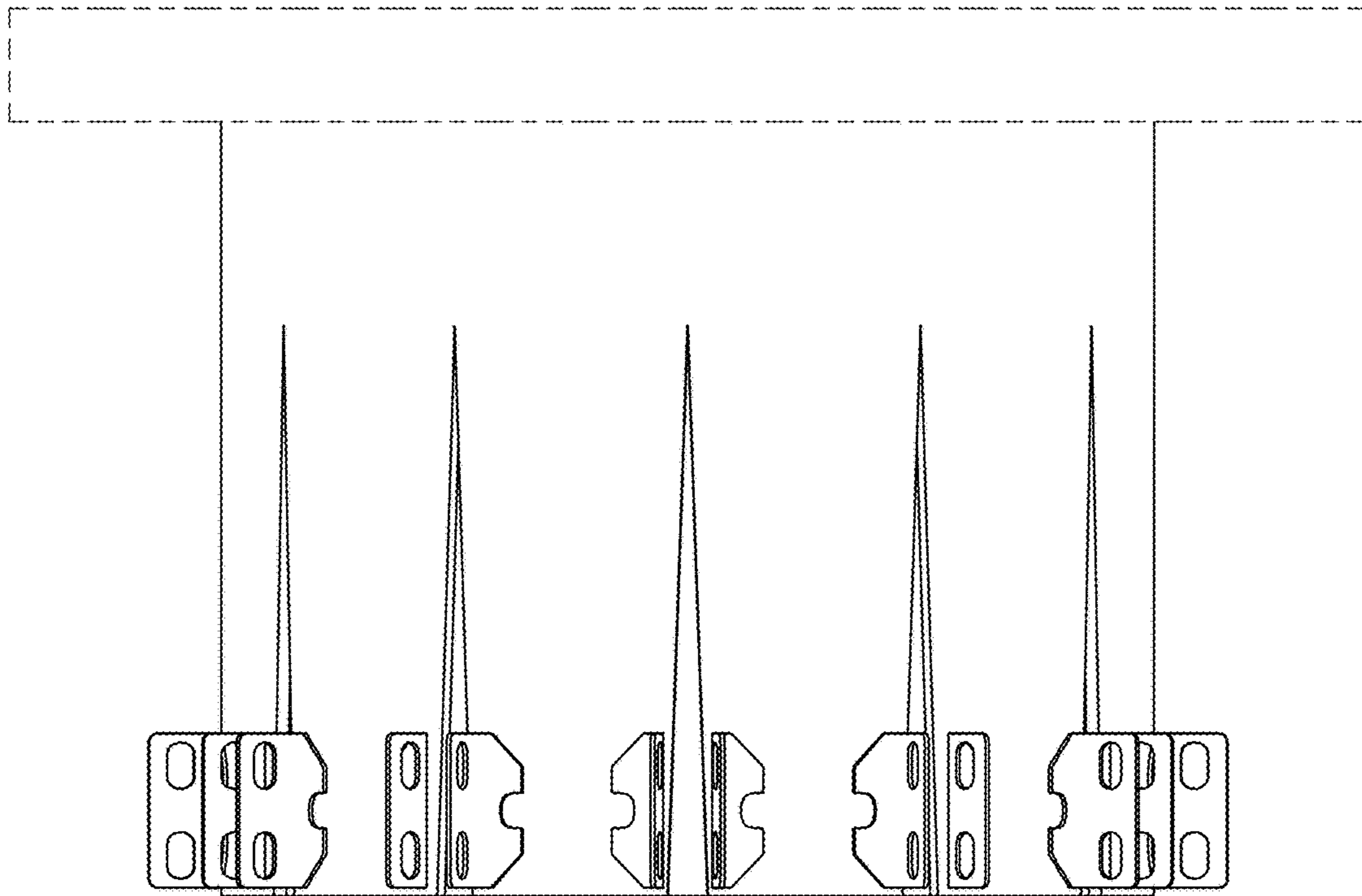


FIG. 18

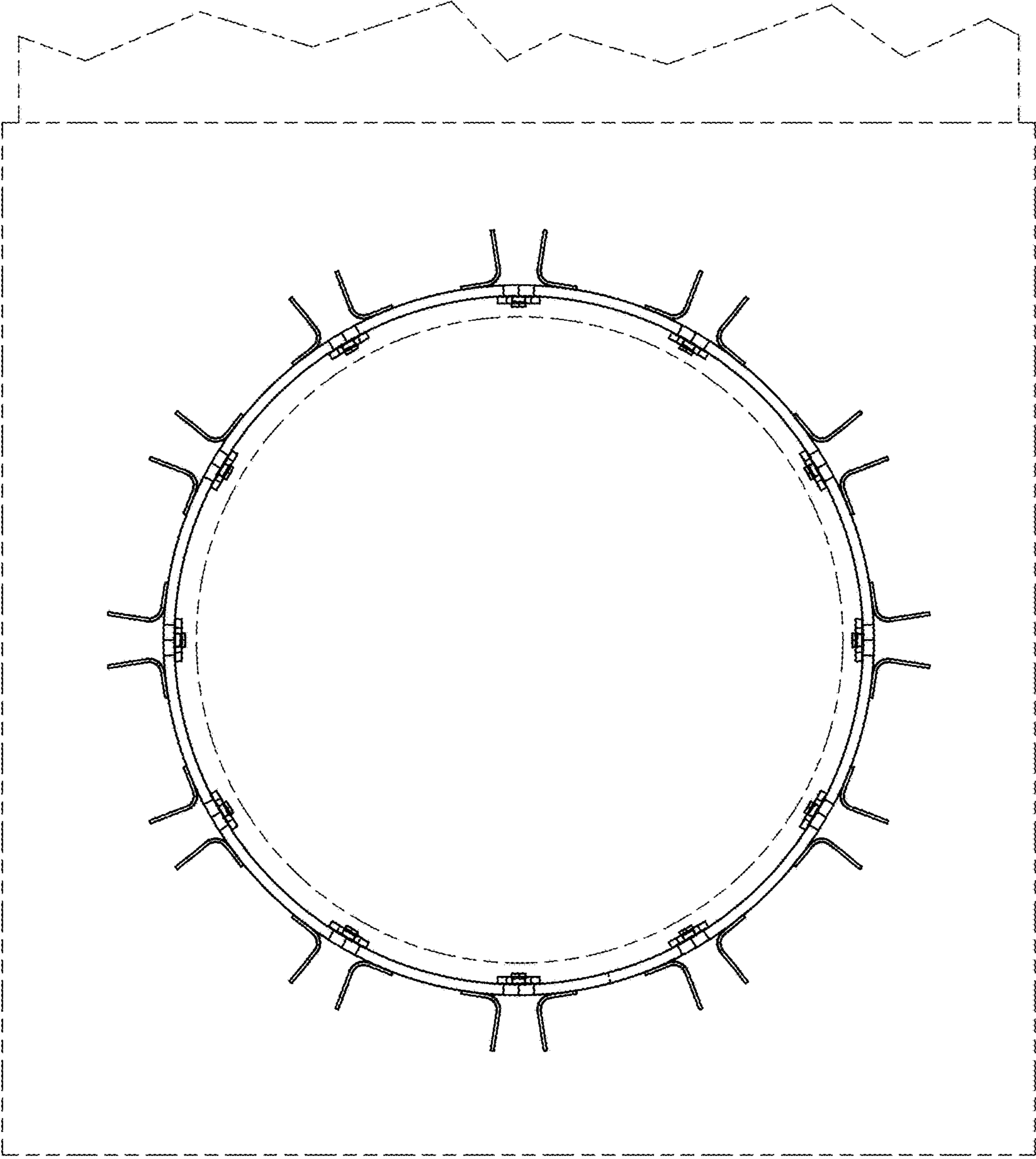


FIG. 19

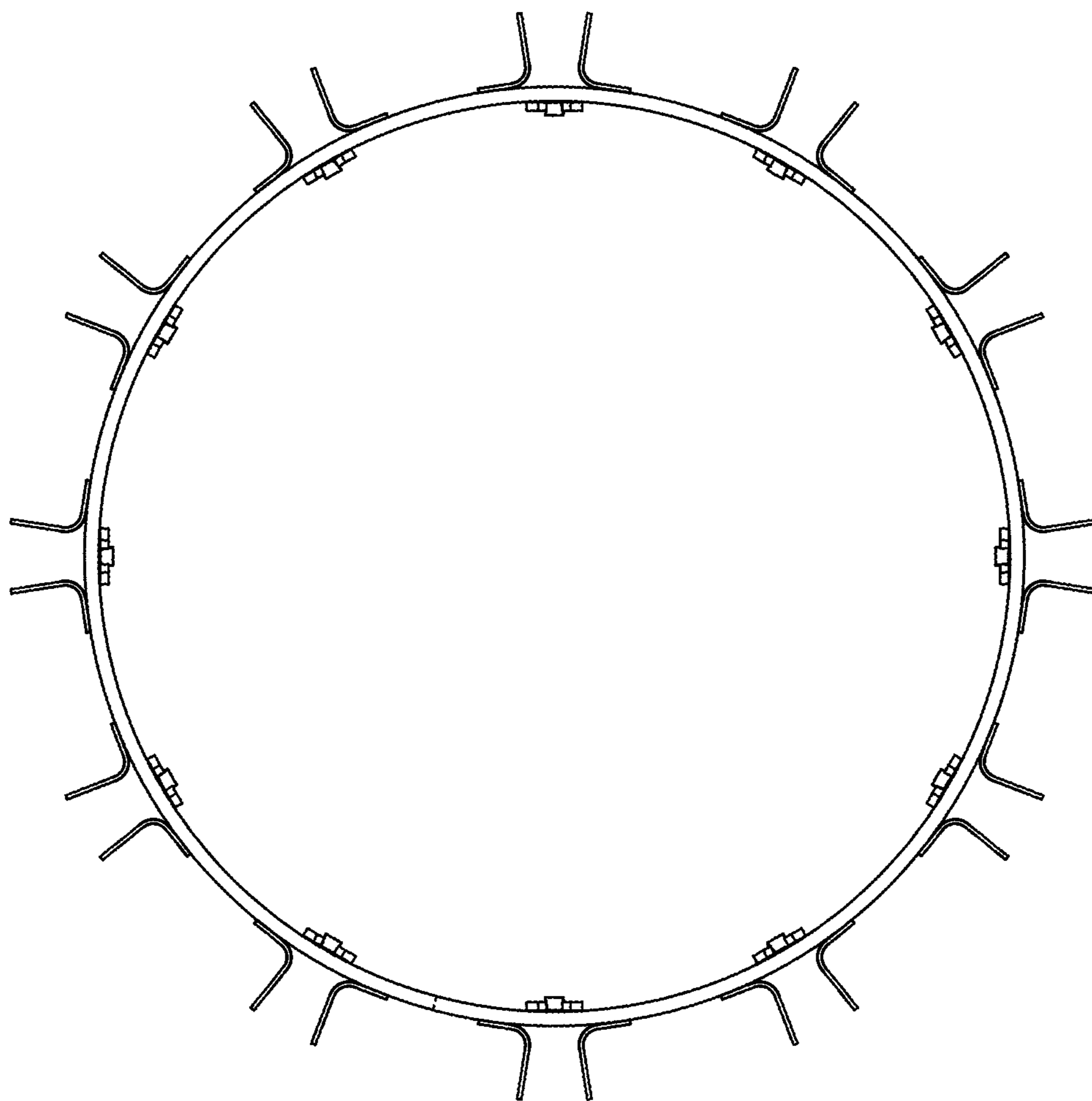


FIG. 20

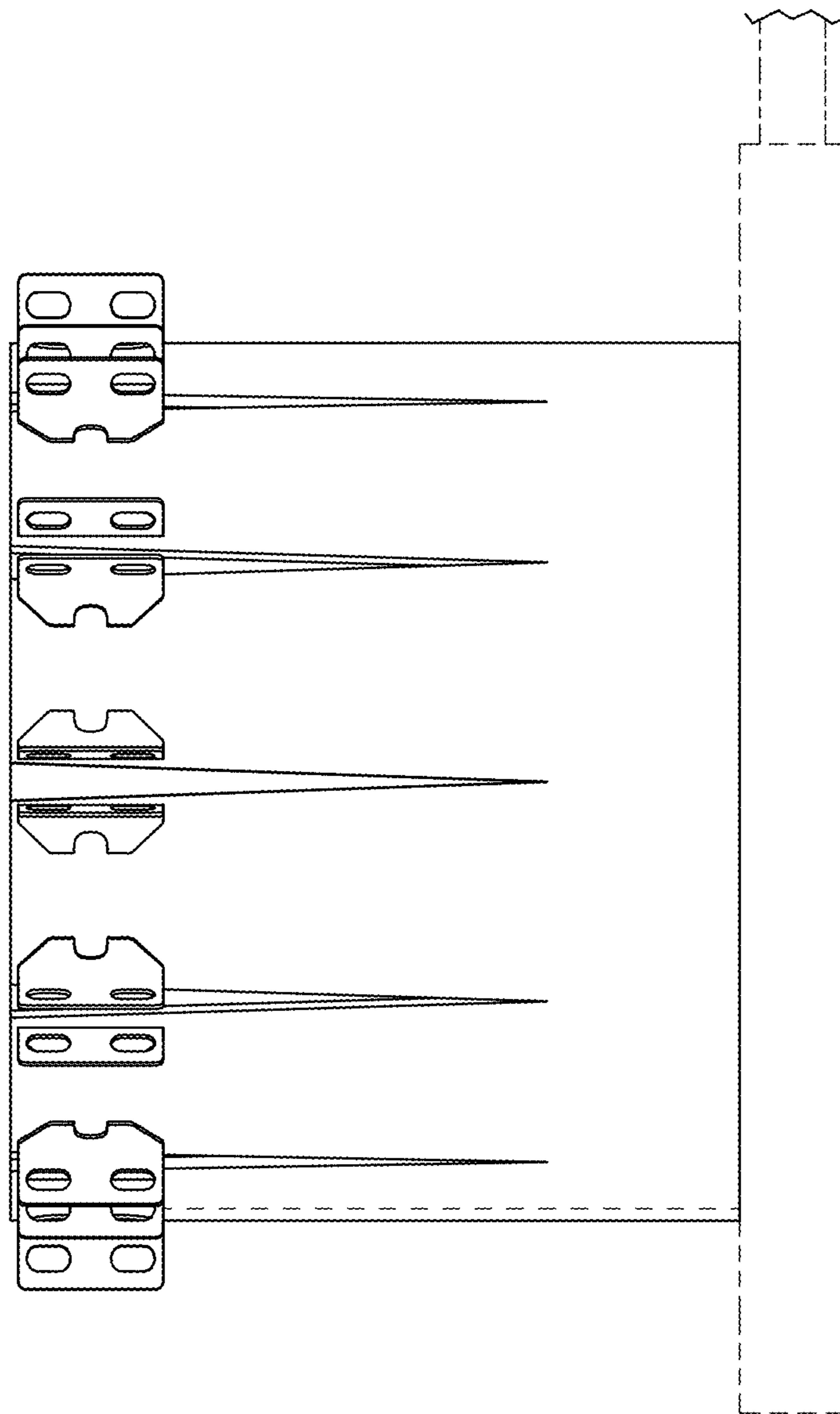


FIG. 21

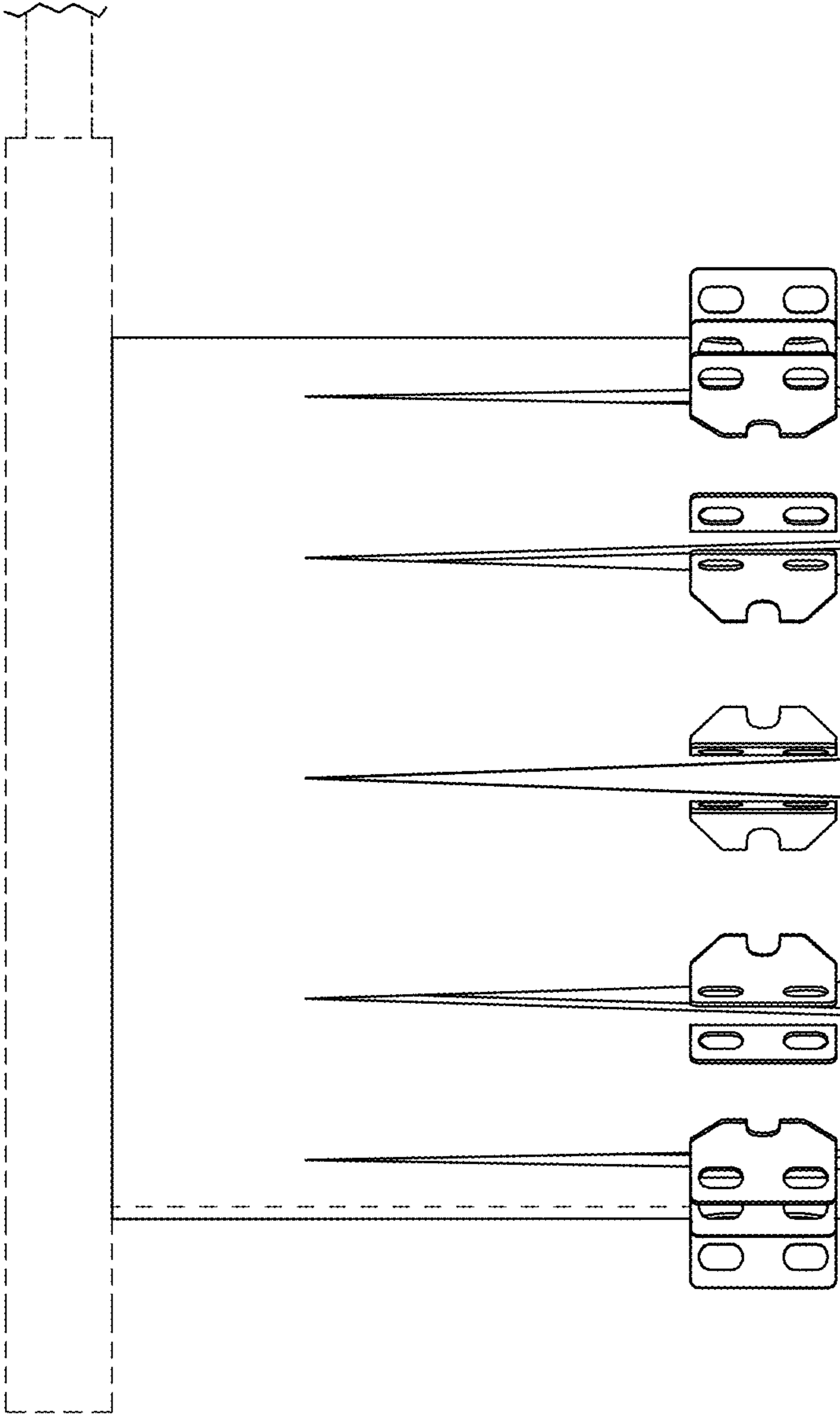


FIG. 22