



US00D789496S

(12) **United States Design Patent**
Kuhlman

(10) **Patent No.:** **US D789,496 S**
(45) **Date of Patent:** **** Jun. 13, 2017**

(54) **GARDEN VALVE MOUNT**

(71) Applicant: **Timothy Kuhlman**, Lincoln, NE (US)

(72) Inventor: **Timothy Kuhlman**, Lincoln, NE (US)

(73) Assignee: **Whippet Innovations, LLC**, Lincoln, NE (US)

(**) Term: **15 Years**

(21) Appl. No.: **29/540,117**

(22) Filed: **Sep. 21, 2015**

(51) **LOC (10) Cl.** **23-01**

(52) **U.S. Cl.**
USPC **D23/259**

(58) **Field of Classification Search**
USPC D23/259, 262-266, 233, 235, 238, 249,
D23/255, 241, 245, 247
CPC F17C 13/04; F16L 41/06; F16K 31/52408;
F16K 5/0647; F16K 43/00; E03C 1/04;
E03C 1/0401; E03C 1/0404; E03C 1/042;
E03C 1/122; E03D 3/06; E03F 7/04
See application file for complete search history.

(56) **References Cited**

U.S. PATENT DOCUMENTS

D179,145 S * 11/1956 Mueller D23/245
D318,319 S * 7/1991 Rokita D23/238
5,090,743 A * 2/1992 Obering B21C 37/29
285/133.21
D412,561 S * 8/1999 Voo D23/245
D477,655 S * 7/2003 Paine D23/245

D516,678 S * 3/2006 Tripp D23/245
D519,188 S * 4/2006 Hay D23/233
D568,965 S * 5/2008 Johnson D23/233
D637,696 S * 5/2011 Ball D23/259
D678,477 S * 3/2013 Kuhlman D23/238
D692,099 S * 10/2013 Freeth D23/233
D692,100 S * 10/2013 Freeth D23/233
2013/0292597 A1 * 11/2013 Liang E03C 1/0404
251/356

* cited by examiner

Primary Examiner — Eric Goodman

Assistant Examiner — Amy Wierenga

(74) *Attorney, Agent, or Firm* — Suiter Swantz pc llo

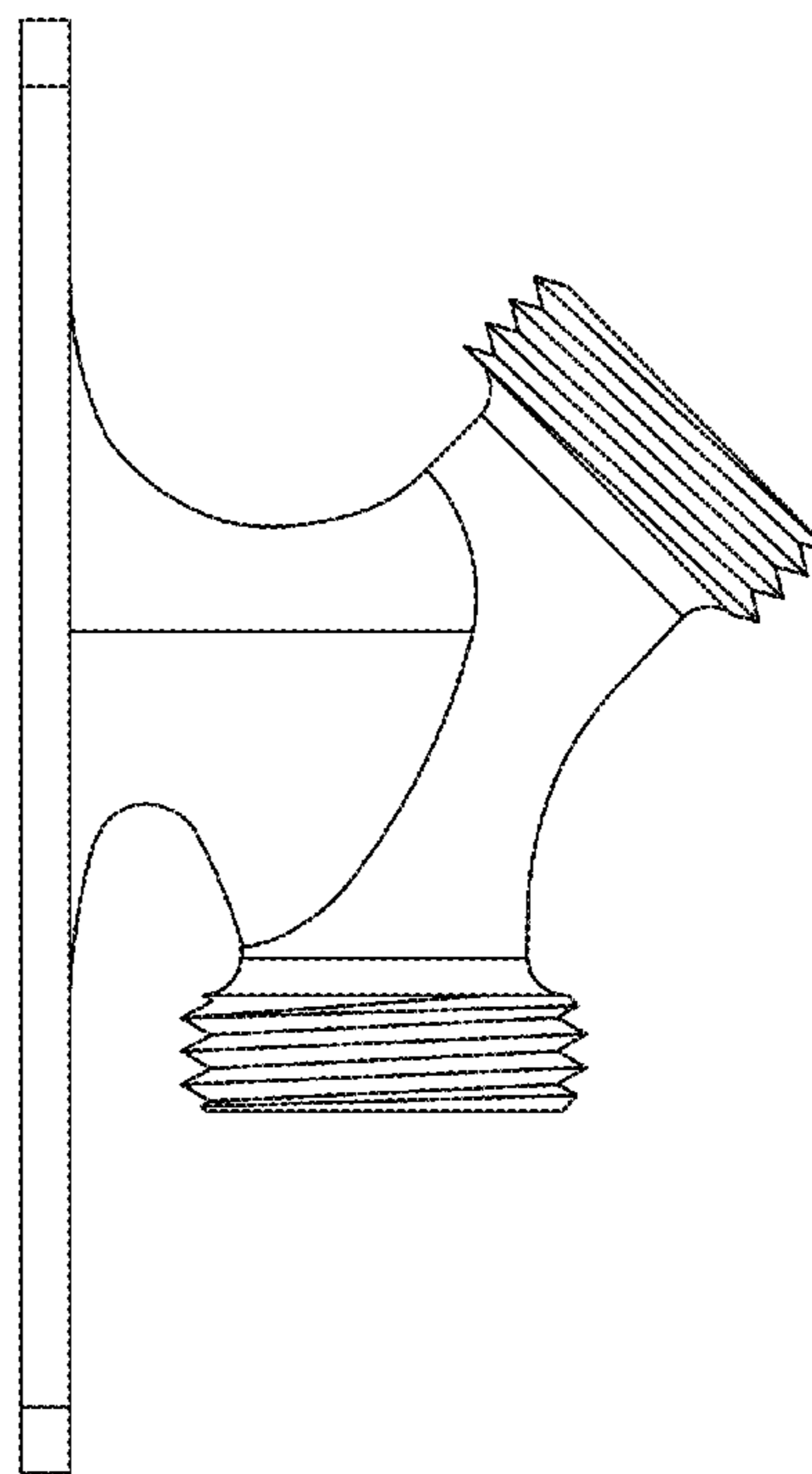
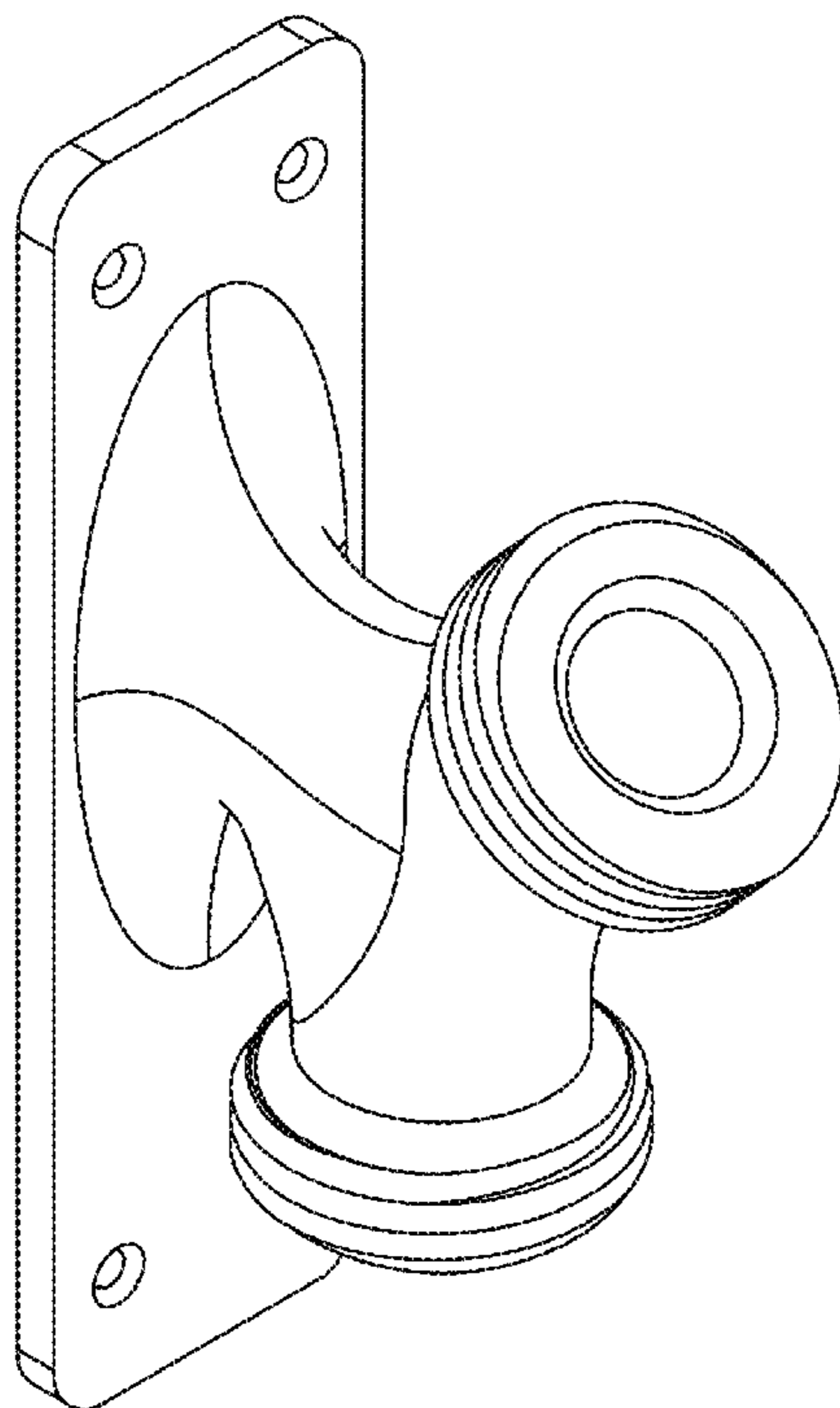
(57) **CLAIM**

The ornamental design for a garden valve mount, as shown and described.

DESCRIPTION

FIG. 1 is a perspective view showing my new design;
FIG. 2 is a front view thereof;
FIG. 3 is a back plan view thereof;
FIG. 4 is a side plan view thereof;
FIG. 5 is a second side plan view thereof;
FIG. 6 is a top elevational view thereof; and,
FIG. 7 is a bottom elevational view thereof.
The dashed broken lines depict portions of the article that form no part of the claim.

1 Claim, 7 Drawing Sheets



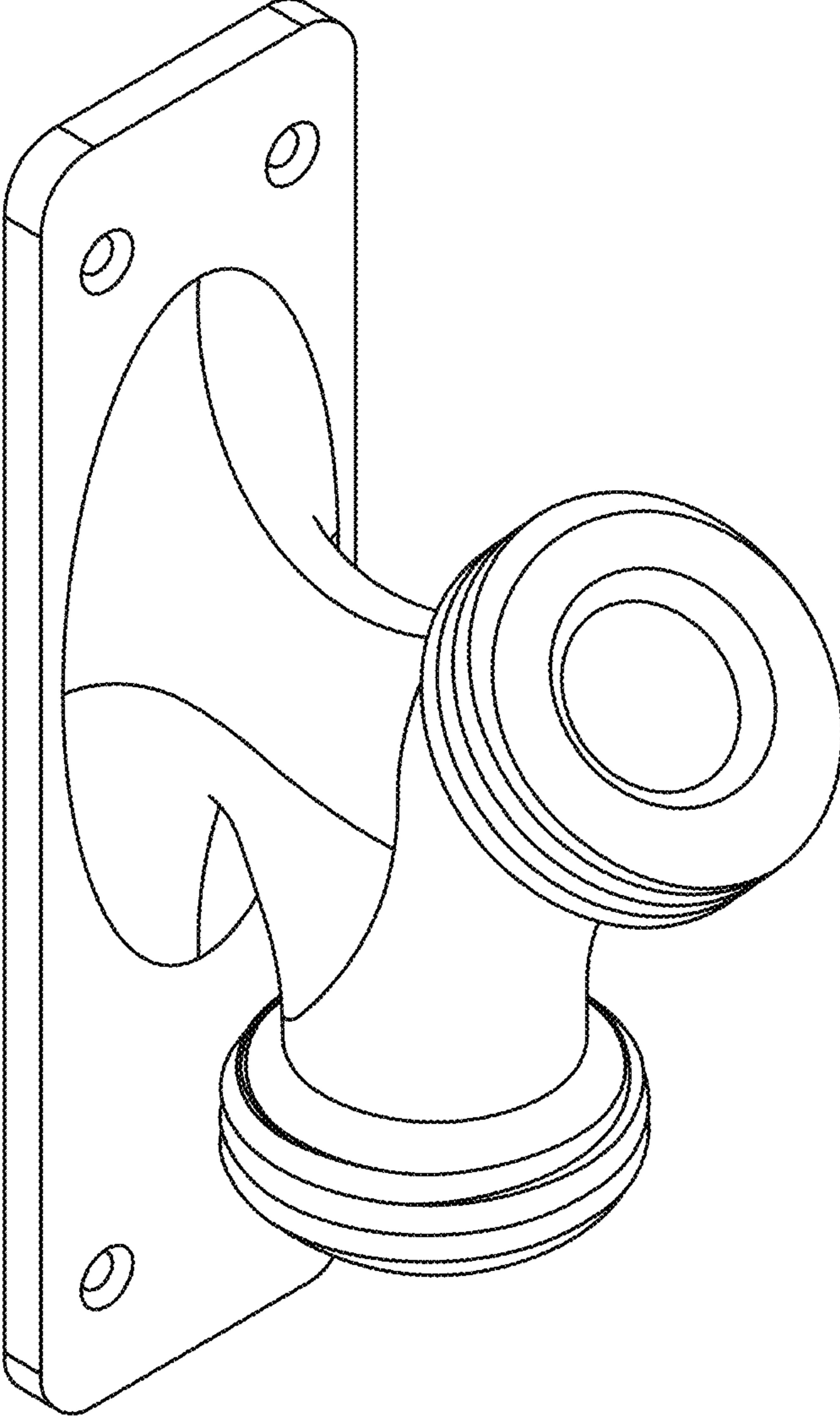


FIG.1

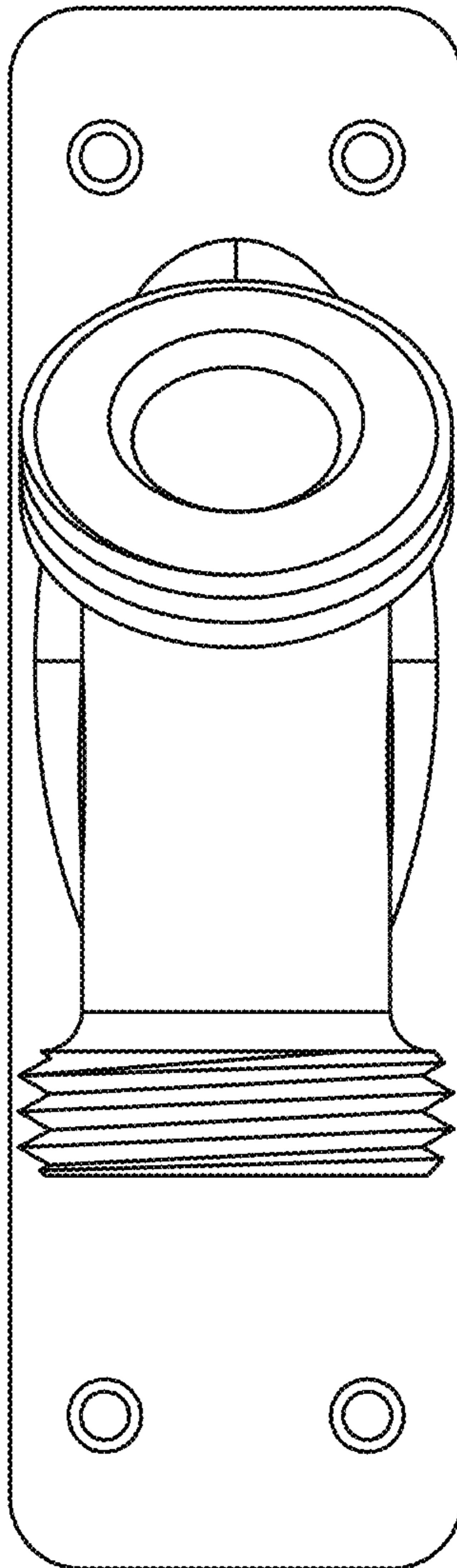


FIG.2

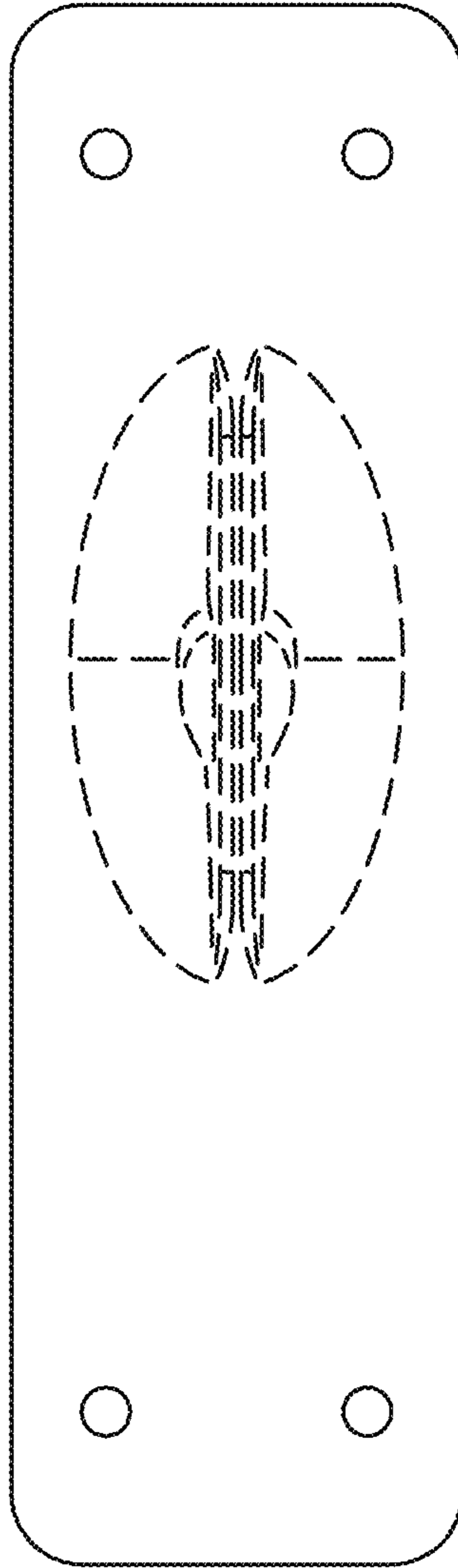


FIG.3

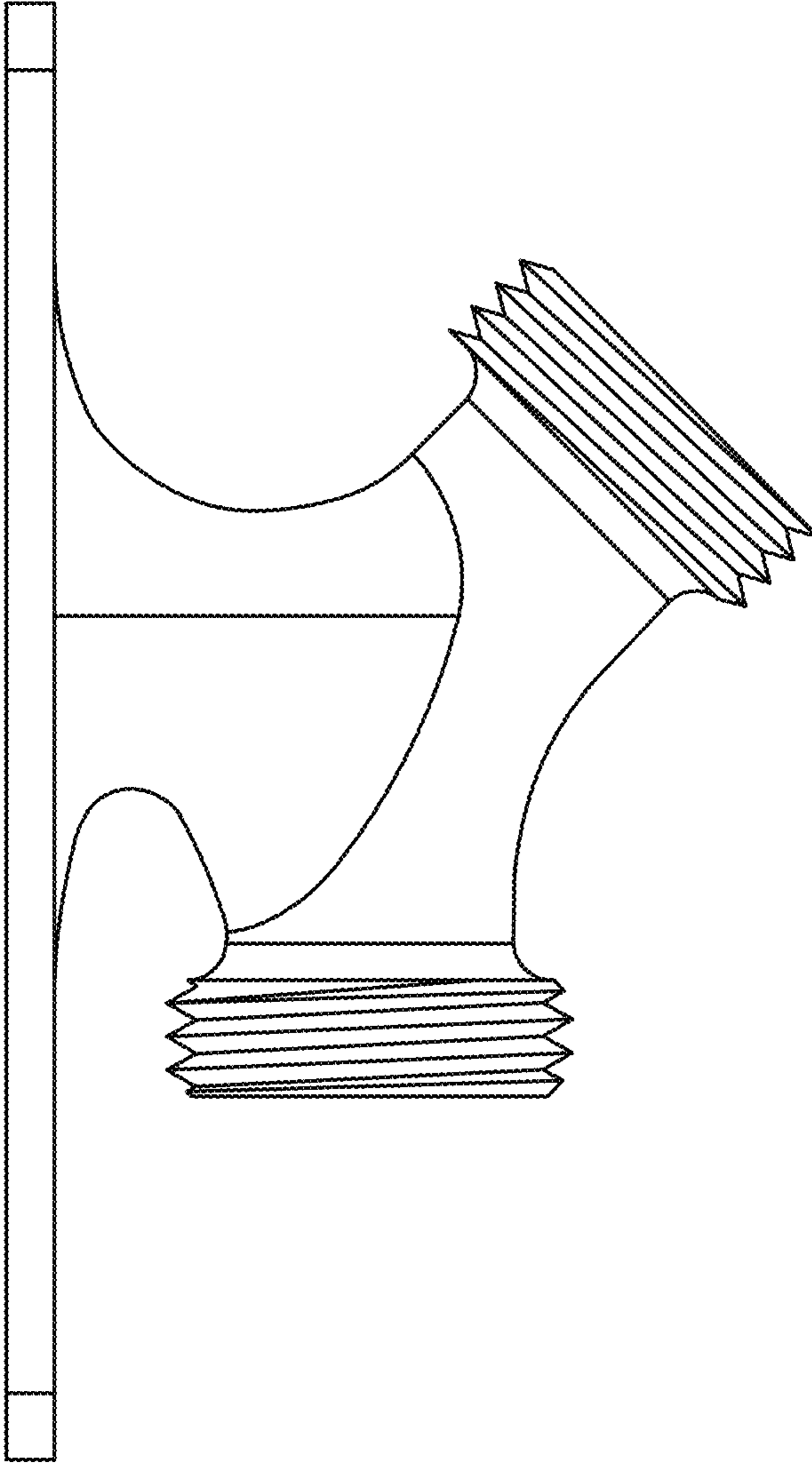


FIG.4

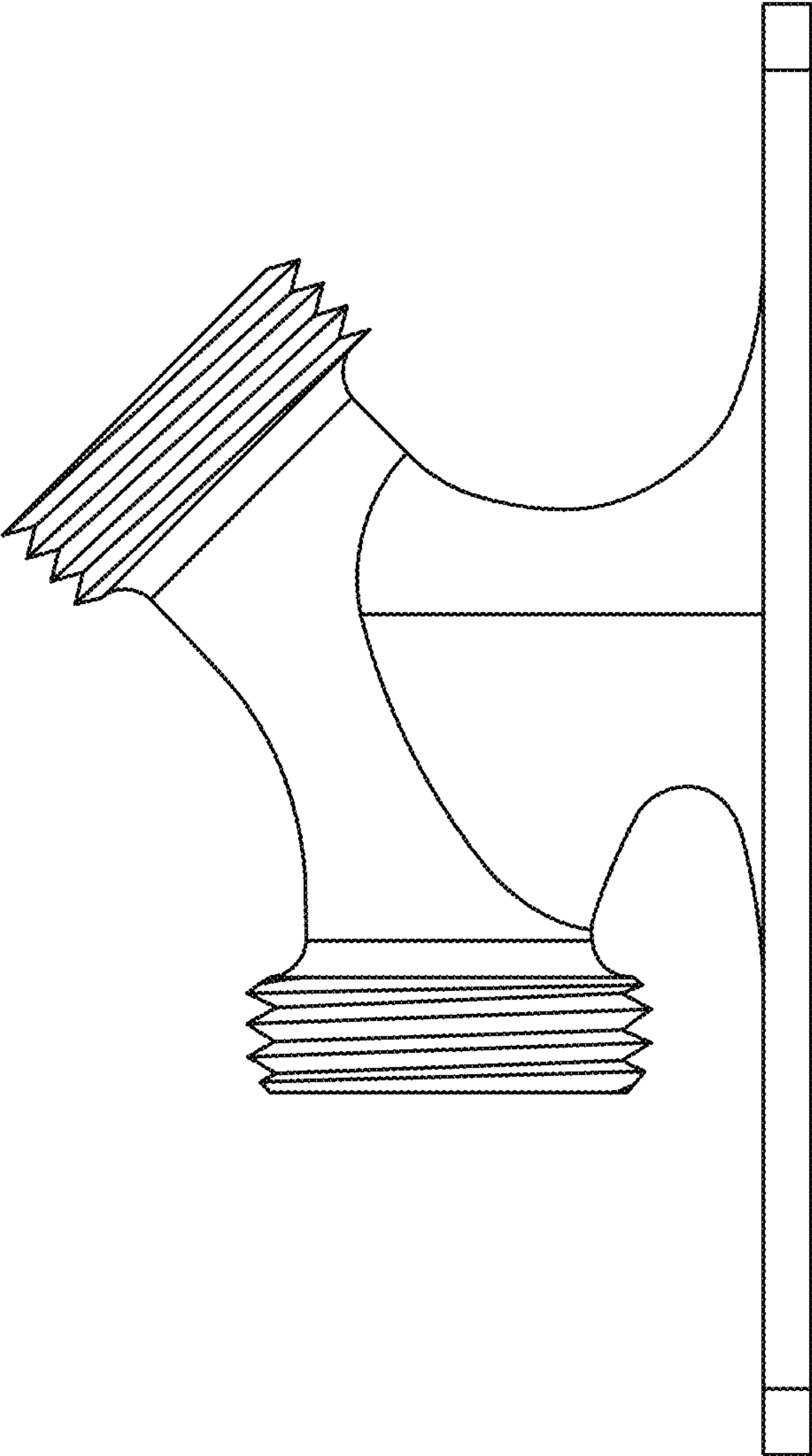


FIG.5

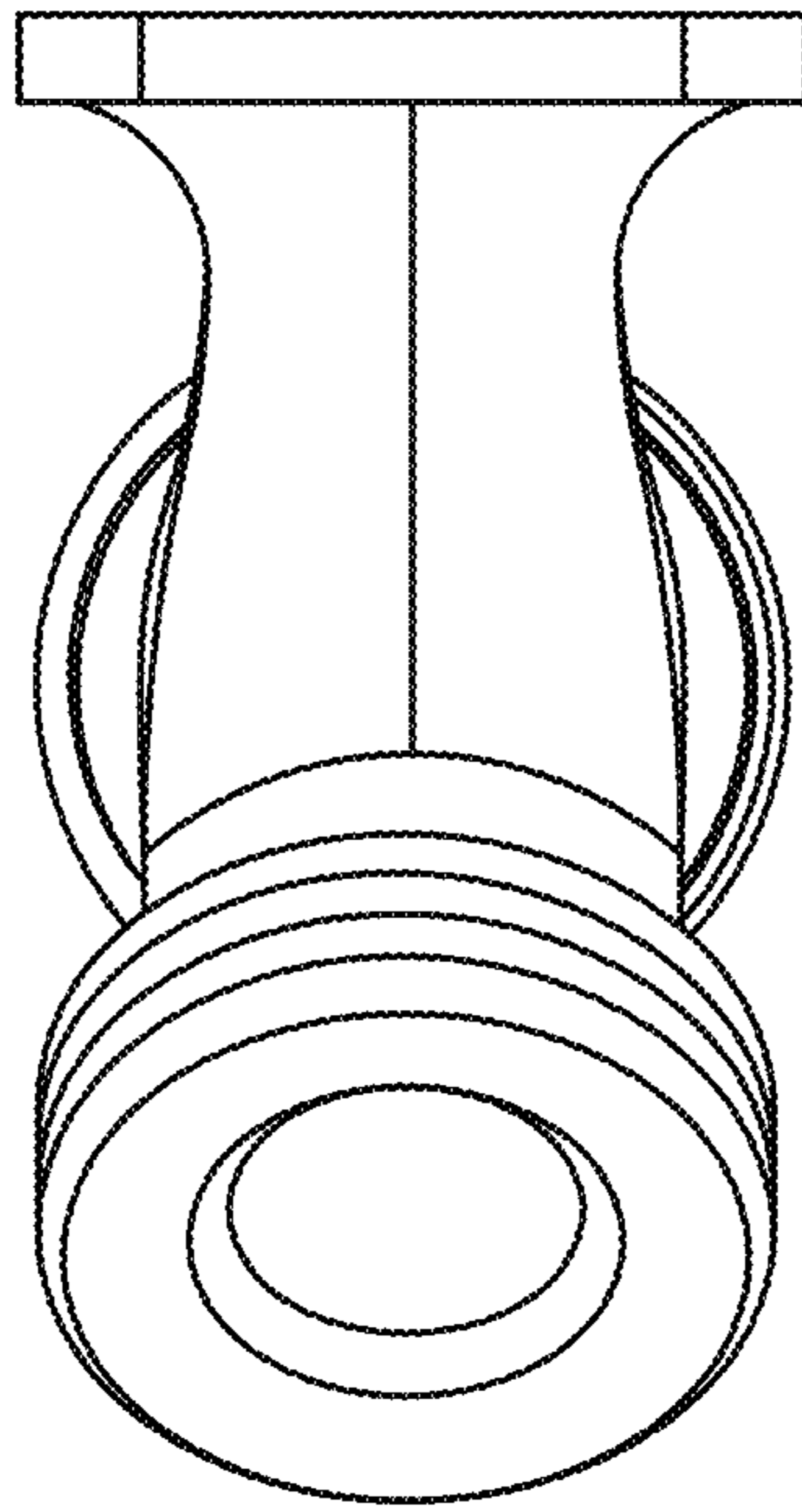


FIG.6

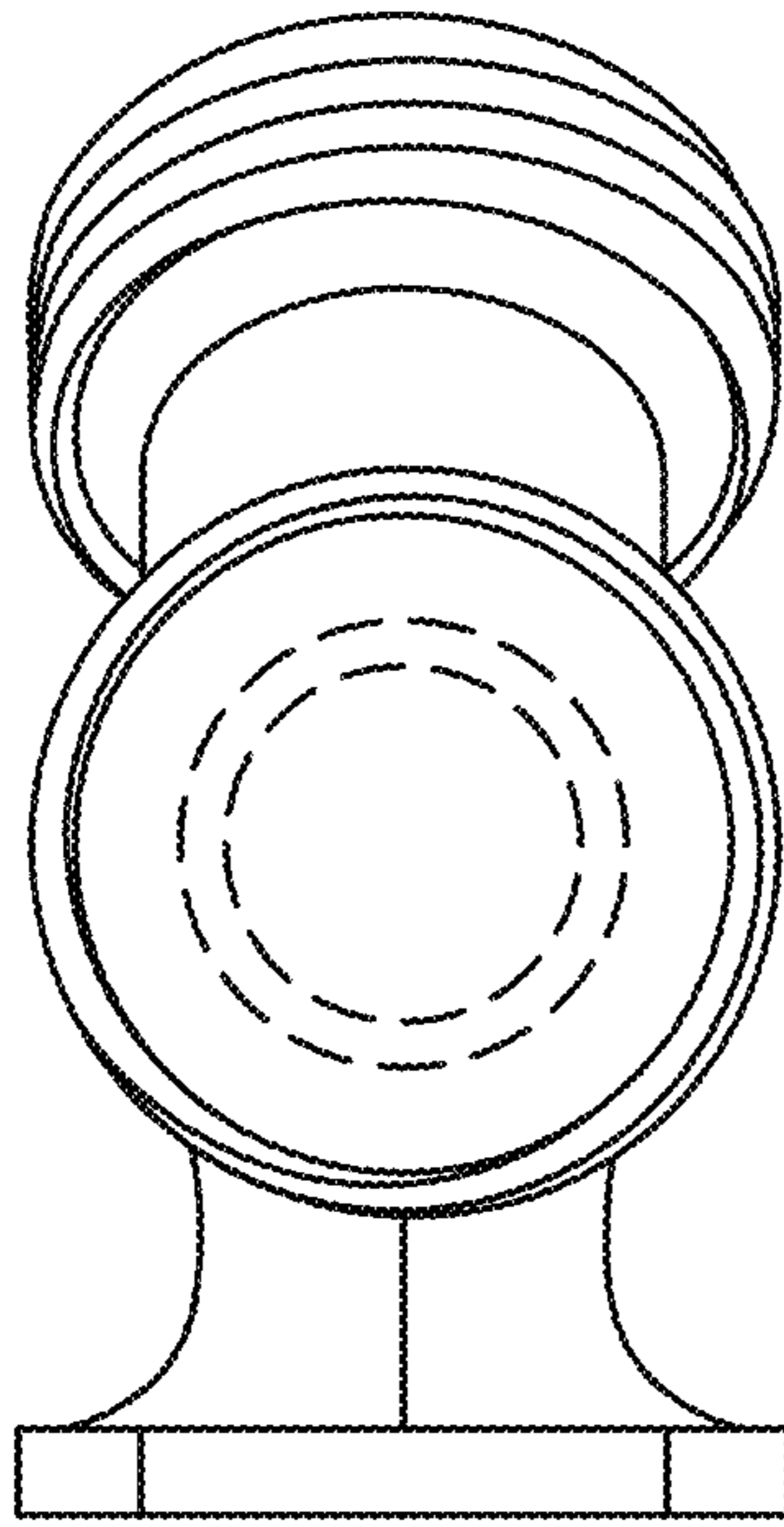


FIG.7