



US00D789493S

(12) **United States Design Patent**  
**Dube**

(10) **Patent No.:** **US D789,493 S**

(45) **Date of Patent:** **\*\* Jun. 13, 2017**

(54) **VALVE**

(71) Applicant: **DELTA FAUCET COMPANY,**  
Indianapolis, IN (US)

(72) Inventor: **Marie-Catherine Dube,**  
Dollards-des-Ormeaux (CA)

(73) Assignee: **DELTA FAUCET COMPANY,**  
Indianapolis, IN (US)

(\*\*) Term: **15 Years**

(21) Appl. No.: **29/551,266**

(22) Filed: **Jan. 12, 2016**

(51) **LOC (10) Cl.** ..... **23-01**

(52) **U.S. Cl.**  
USPC ..... **D23/254**

(58) **Field of Classification Search**  
USPC ..... D23/238-243, 249-250, 252, 254;  
D8/307-308, 310, 350-358  
CPC ..... E03C 1/04; E03C 1/0401; E03C 1/0402;  
E03C 1/0404  
See application file for complete search history.

(56) **References Cited**

**U.S. PATENT DOCUMENTS**

D271,514 S \* 11/1983 Paul ..... D23/242  
D280,232 S \* 8/1985 Paul ..... D23/242

D498,517 S \* 11/2004 Citterio ..... D23/245  
D517,655 S \* 3/2006 Ogata ..... D23/241  
D674,057 S \* 1/2013 Lord ..... D23/252  
D676,116 S \* 2/2013 Lord ..... D23/252  
D739,502 S \* 9/2015 Bahler ..... D23/242

\* cited by examiner

*Primary Examiner* — Robert Delehanty

(74) *Attorney, Agent, or Firm* — Edgar A. Zarins; Nirav D. Parikh

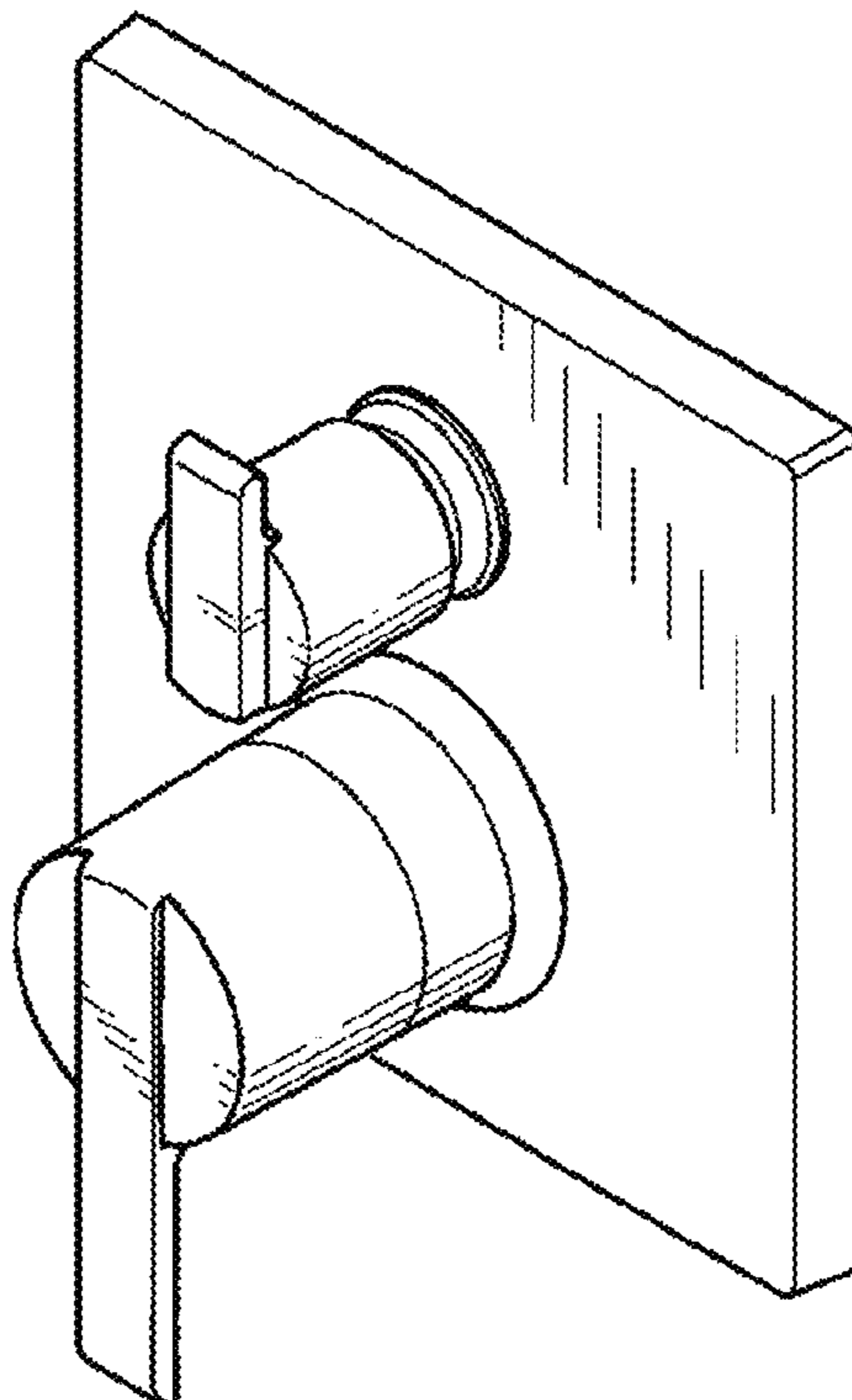
(57) **CLAIM**

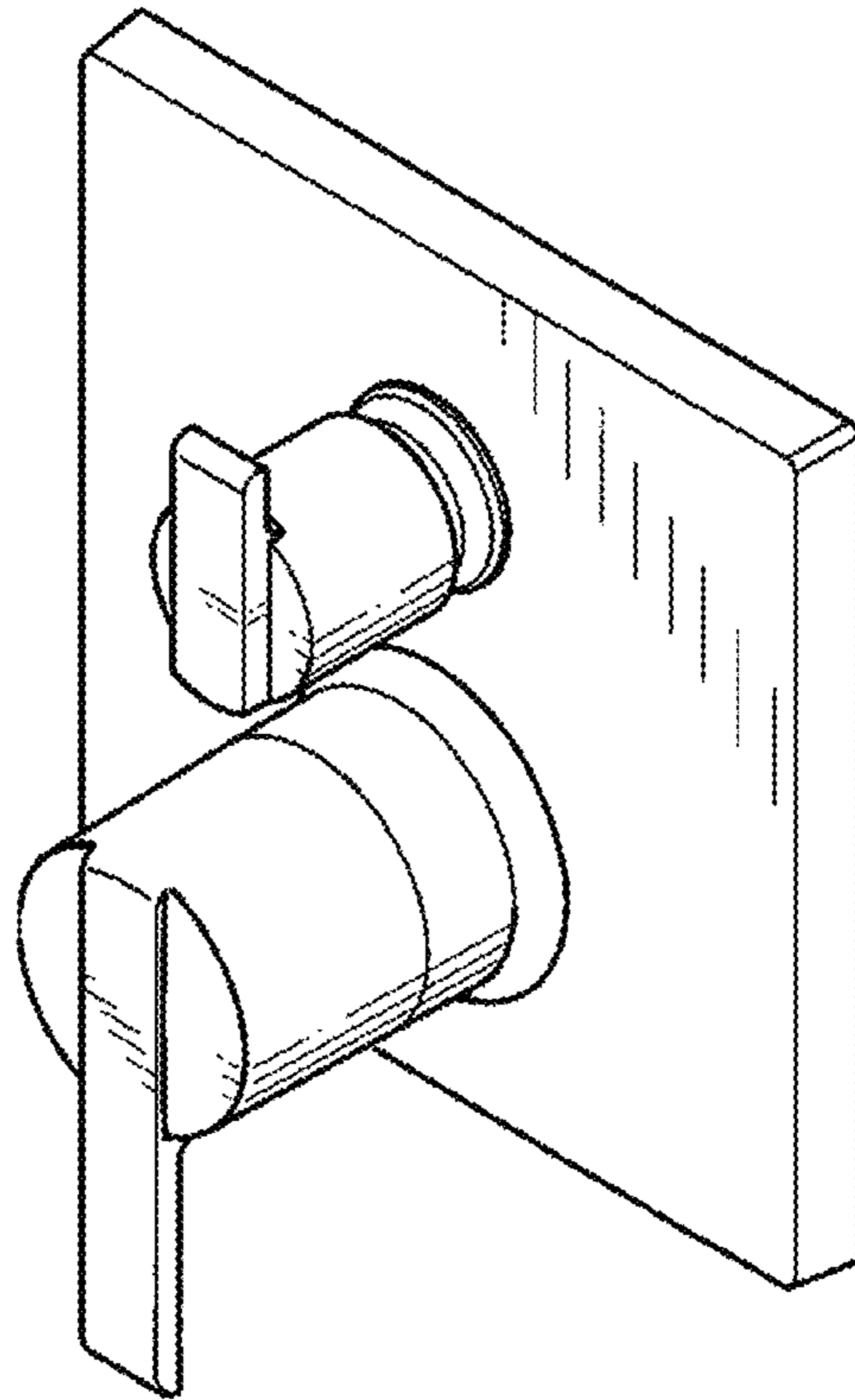
The ornamental design for a valve, as shown and described.

**DESCRIPTION**

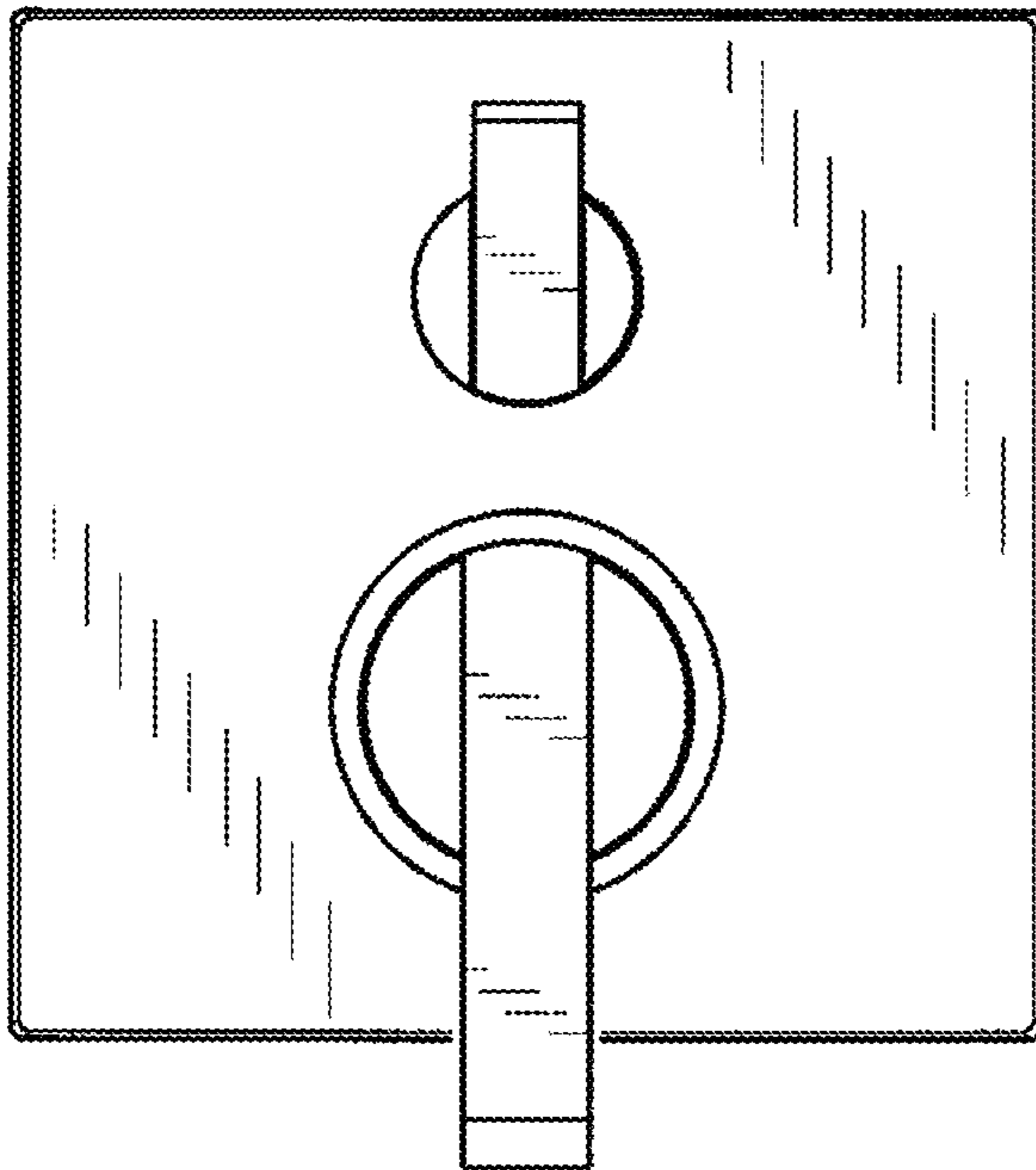
FIG. 1 is a perspective view of a valve showing my new design;  
FIG. 2 is a front elevational view thereof;  
FIG. 3 is a rear view thereof;  
FIG. 4 is a right side view thereof, the opposite side being a mirror image of the side shown;  
FIG. 5 is a top plan view thereof; and,  
FIG. 6 is a bottom view thereof.  
The broken line showing a plumbing hole is included for the purpose of illustrating a portion of the valve that forms no part of the claimed design.

**1 Claim, 3 Drawing Sheets**

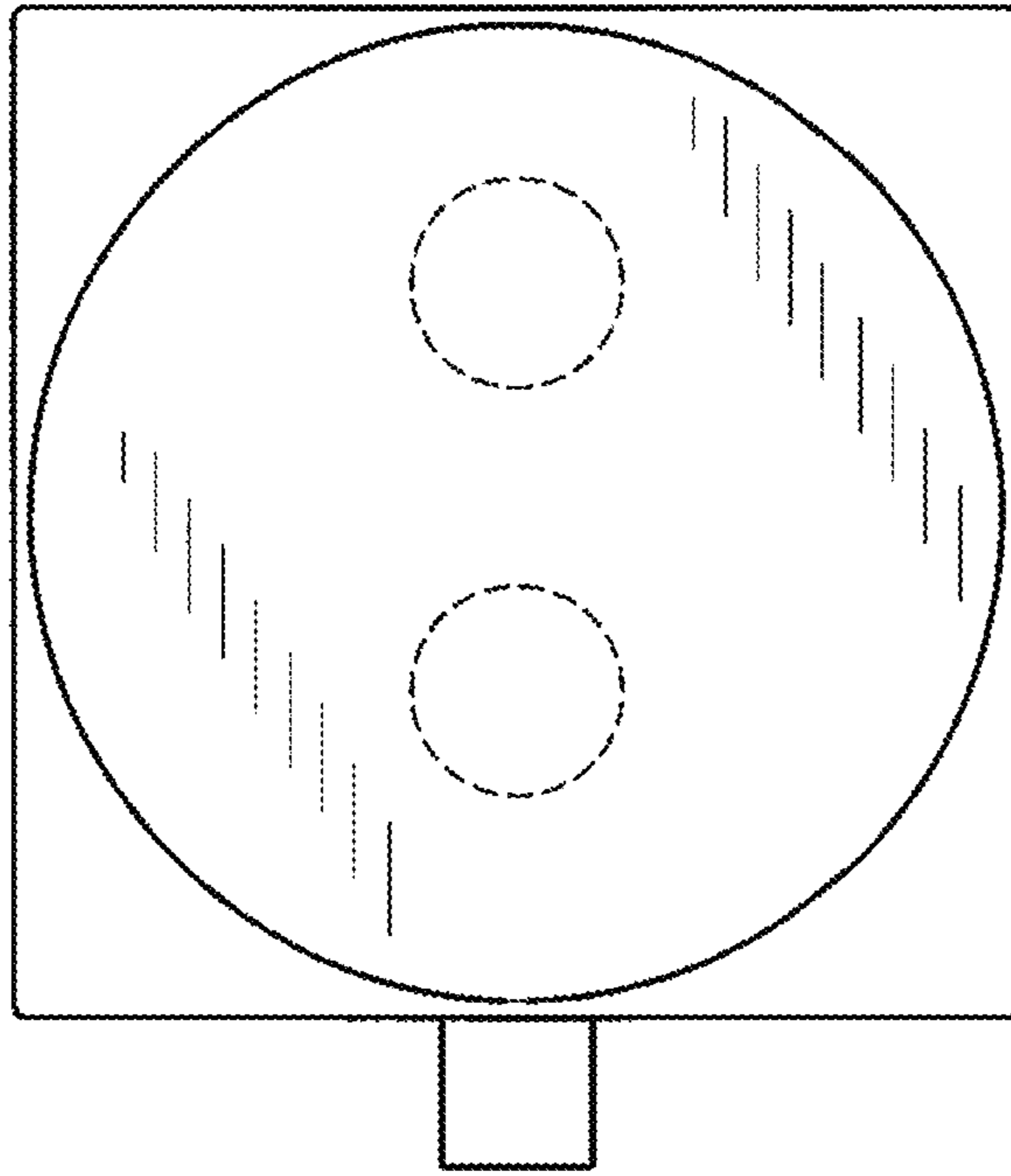




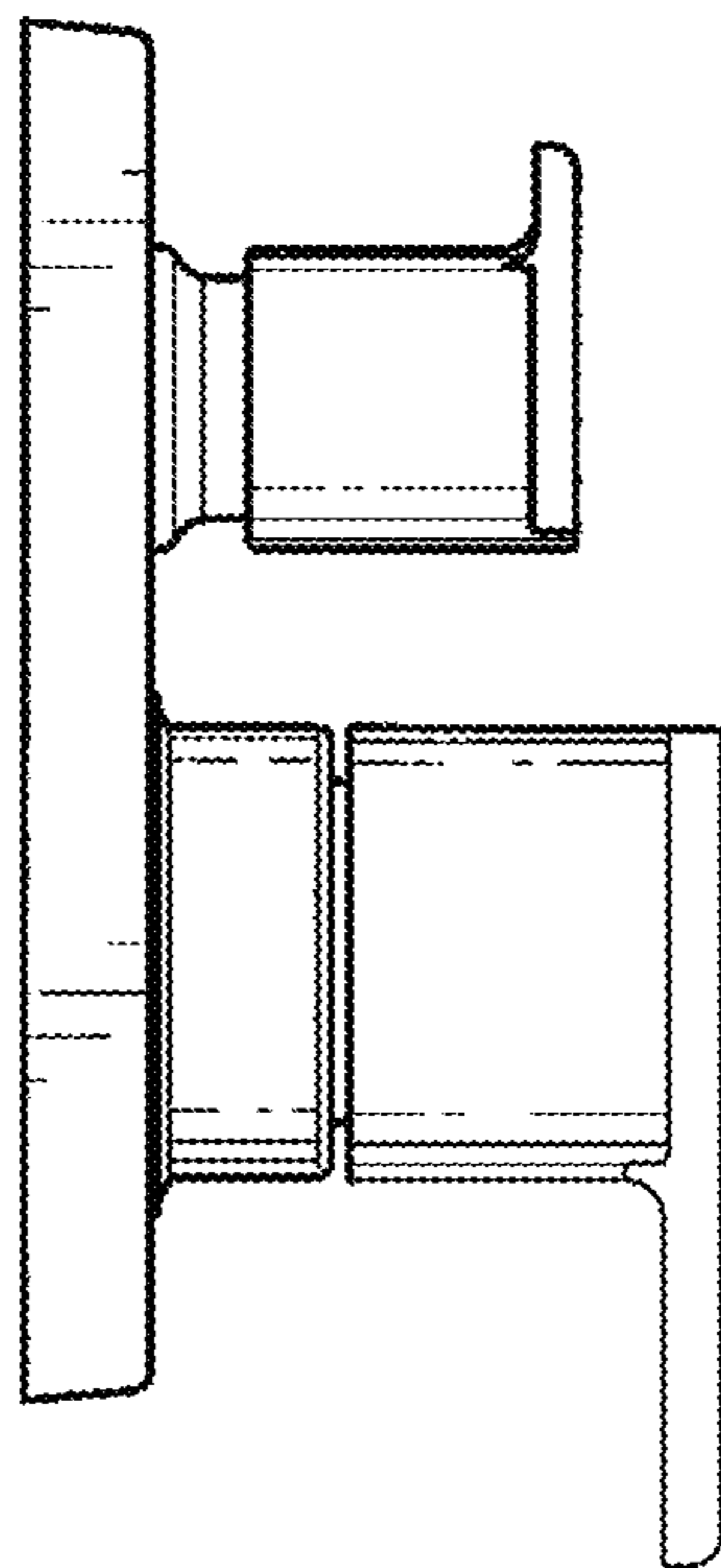
*Fig-1*



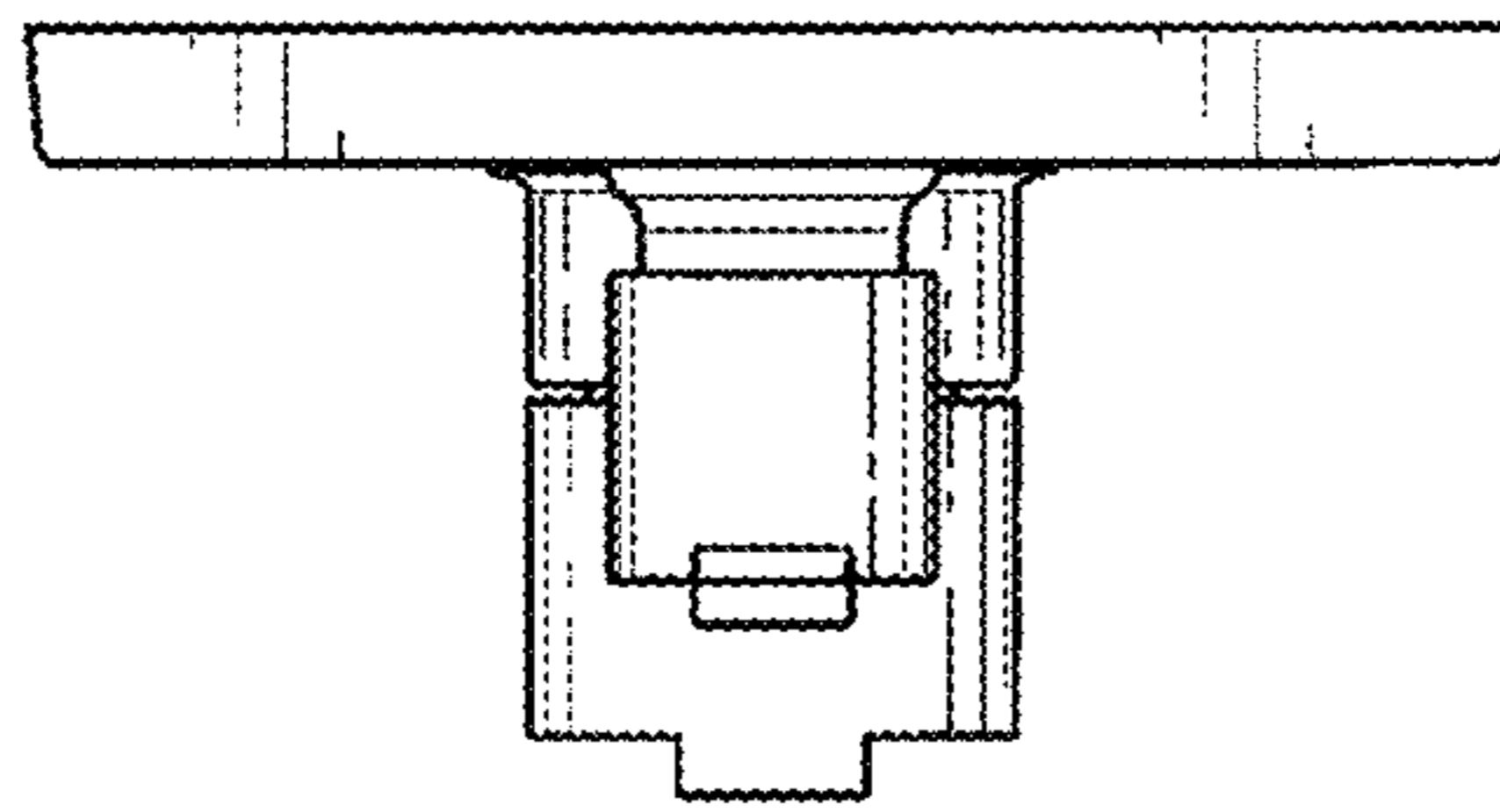
*Fig-2*



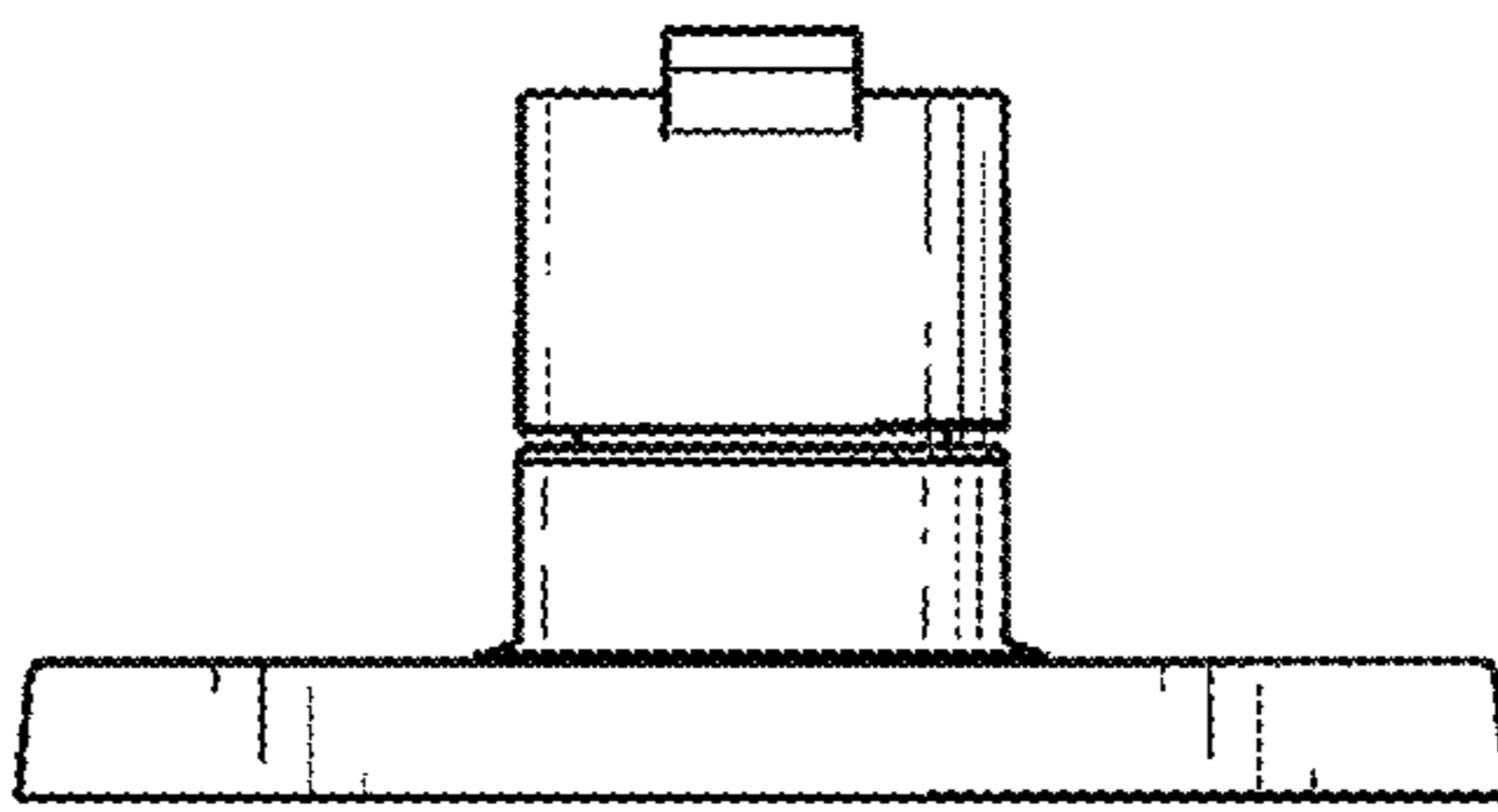
*Fig-3*



*Fig-4*



*Fig-5*



*Fig-6*