



US00D789492S

(12) **United States Design Patent**
Dube

(10) **Patent No.:** **US D789,492 S**

(45) **Date of Patent:** **** Jun. 13, 2017**

(54) **VALVE**

(71) Applicant: **DELTA FAUCET COMPANY,**
Indianapolis, IN (US)

(72) Inventor: **Marie-Catherine Dube,**
Dollards-des-Ormeaux (CA)

(73) Assignee: **DELTA FAUCET COMPANY,**
Indianapolis, IN (US)

(**) Term: **15 Years**

(21) Appl. No.: **29/551,262**

(22) Filed: **Jan. 12, 2016**

(51) **LOC (10) Cl.** **23-01**

(52) **U.S. Cl.**
USPC **D23/254**

(58) **Field of Classification Search**
USPC D23/238-243, 249-250, 252, 254;
D8/307-308, 310, 350-358
CPC E03C 1/04; E03C 1/0401; E03C 1/0402;
E03C 1/0404
See application file for complete search history.

(56) **References Cited**

U.S. PATENT DOCUMENTS

D271,514 S * 11/1983 Paul D23/242
D280,232 S * 8/1985 Paul D23/242

D498,517 S * 11/2004 Citterio D23/245
D517,655 S * 3/2006 Ogata D23/241
D674,057 S * 1/2013 Lord D23/252
D676,116 S * 2/2013 Lord D23/252
D739,502 S * 9/2015 Bahler D23/242

* cited by examiner

Primary Examiner — Robert Delehanty

(74) *Attorney, Agent, or Firm* — Edgar A. Zarins; Nirav D. Parikh

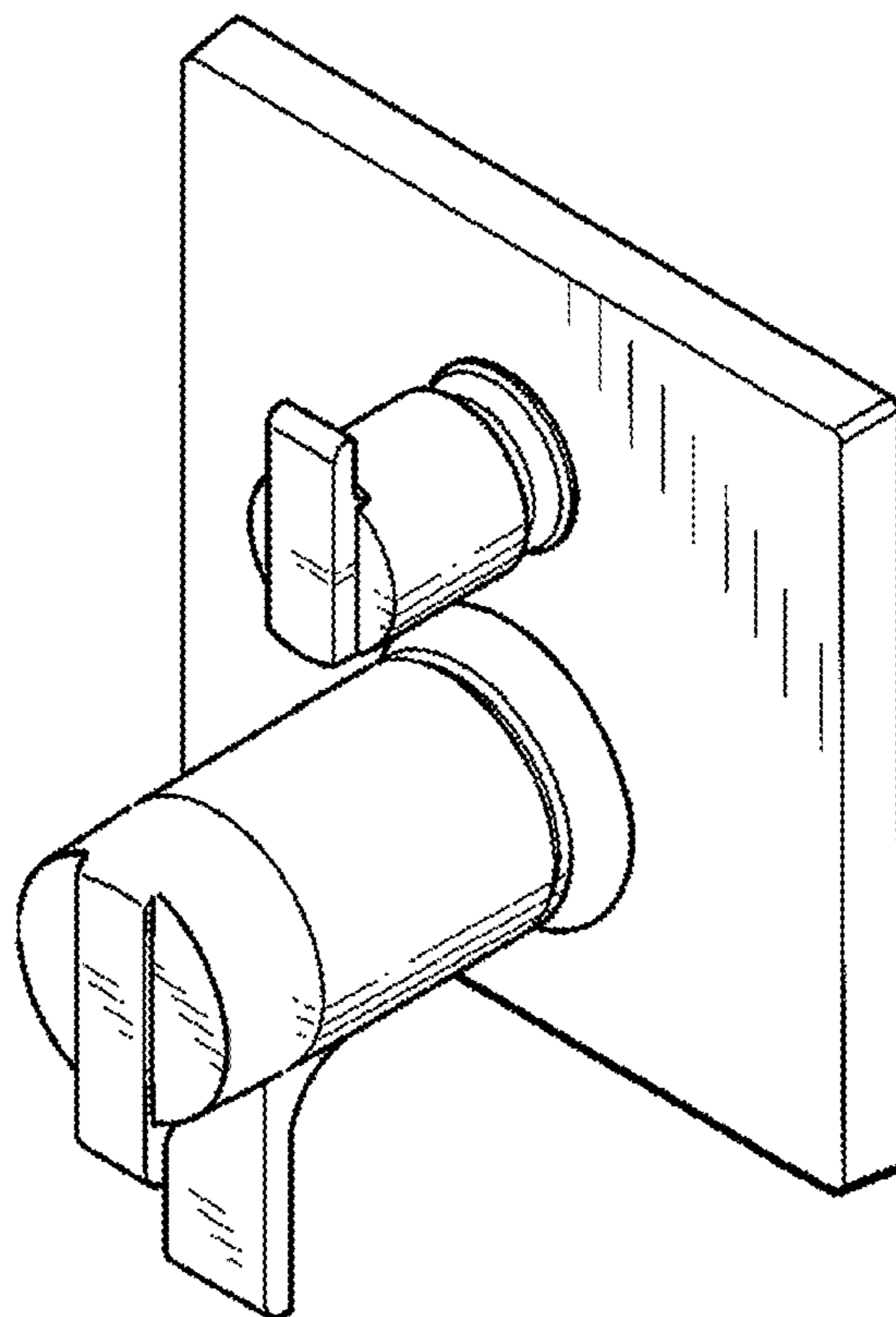
(57) **CLAIM**

The ornamental design for a valve, as shown and described.

DESCRIPTION

FIG. 1 is a perspective view of a valve showing my new design;
FIG. 2 is a front elevational view thereof;
FIG. 3 is a rear view thereof;
FIG. 4 is a right side view thereof, the opposite side being a mirror image of the side shown;
FIG. 5 is a top plan view thereof; and,
FIG. 6 is a bottom view thereof.
The broken line showing a plumbing hole is included for the purpose of illustrating a portion of the valve that forms no part of the claimed design.

1 Claim, 3 Drawing Sheets



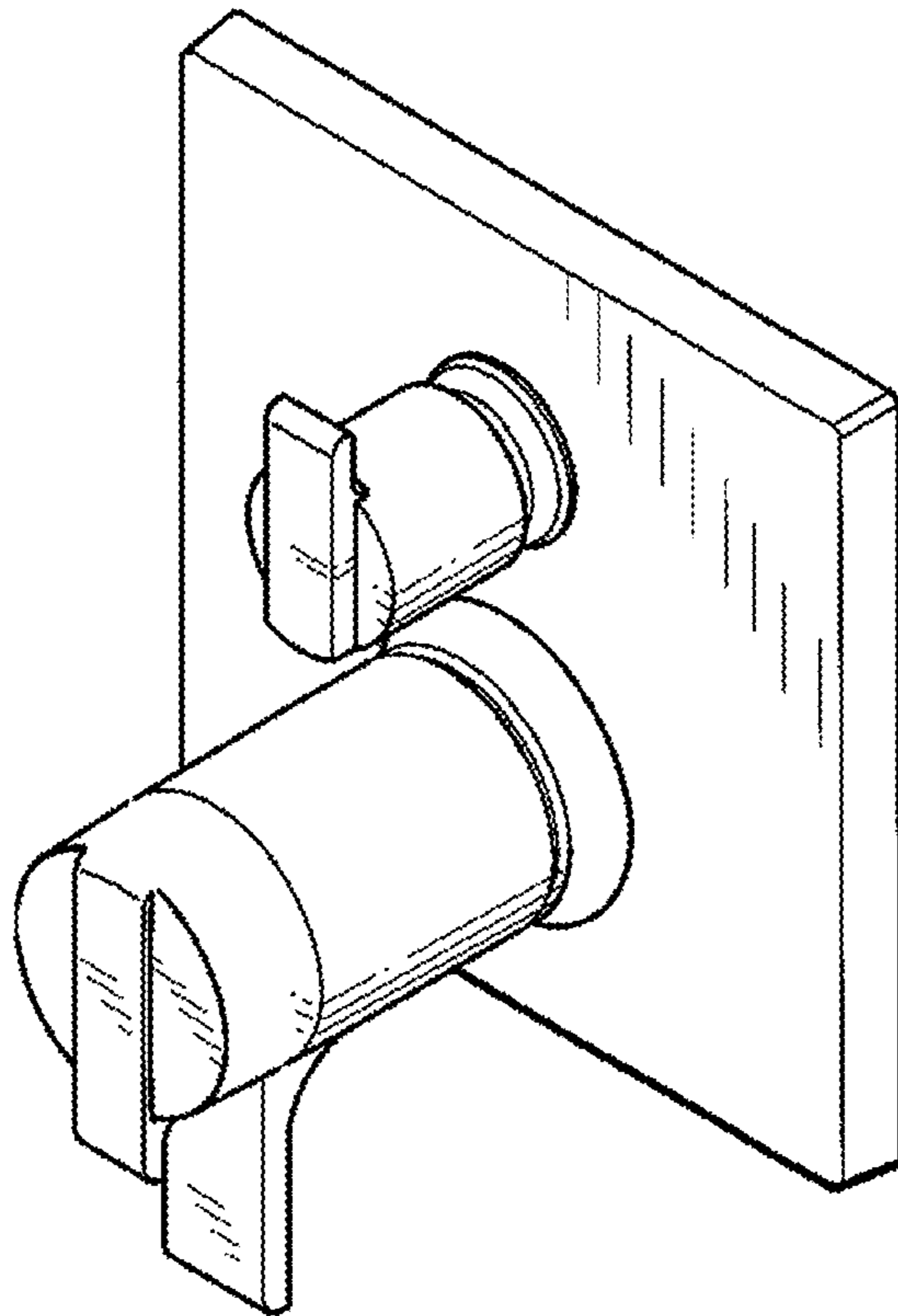


Fig-1

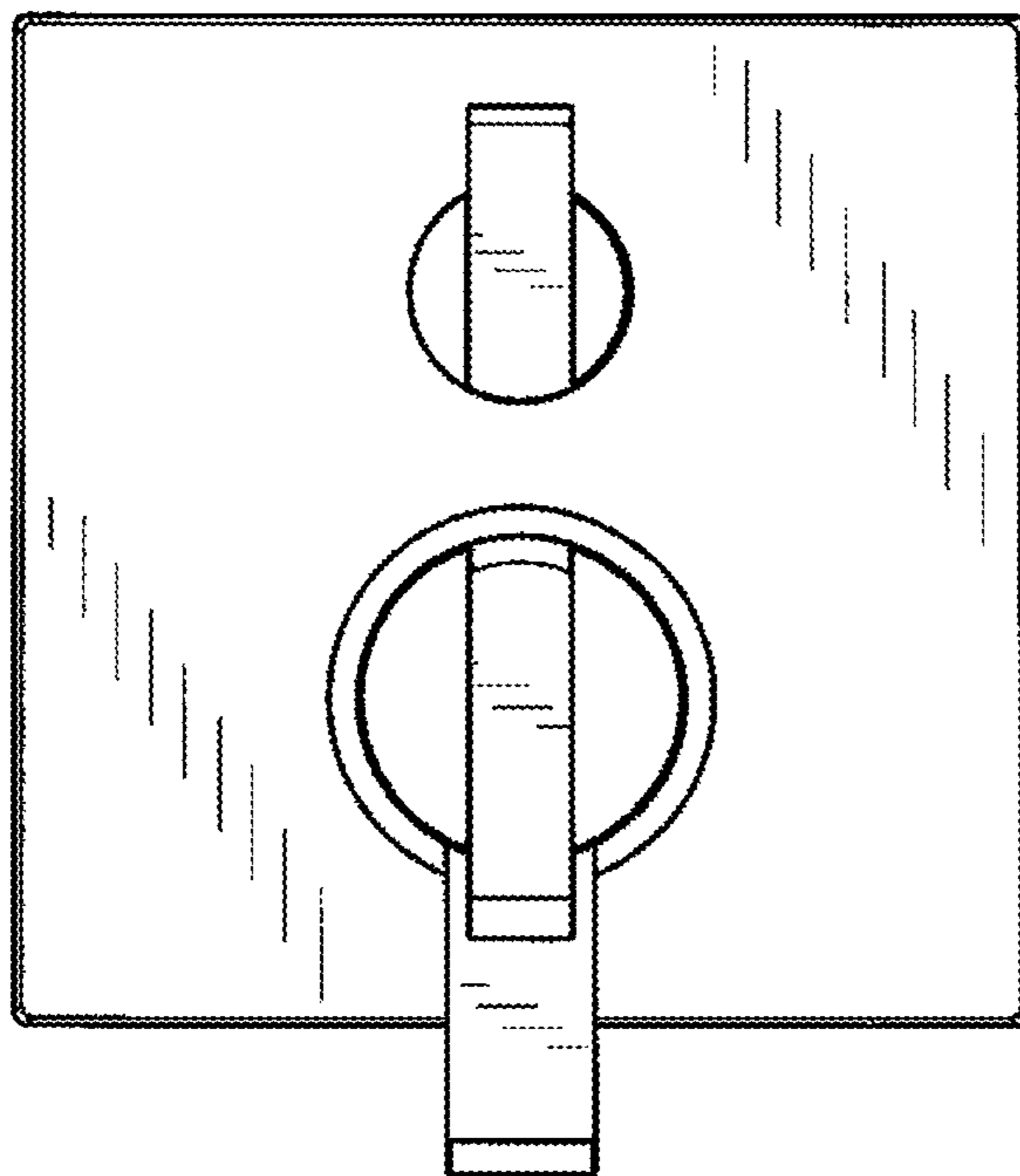


Fig-2

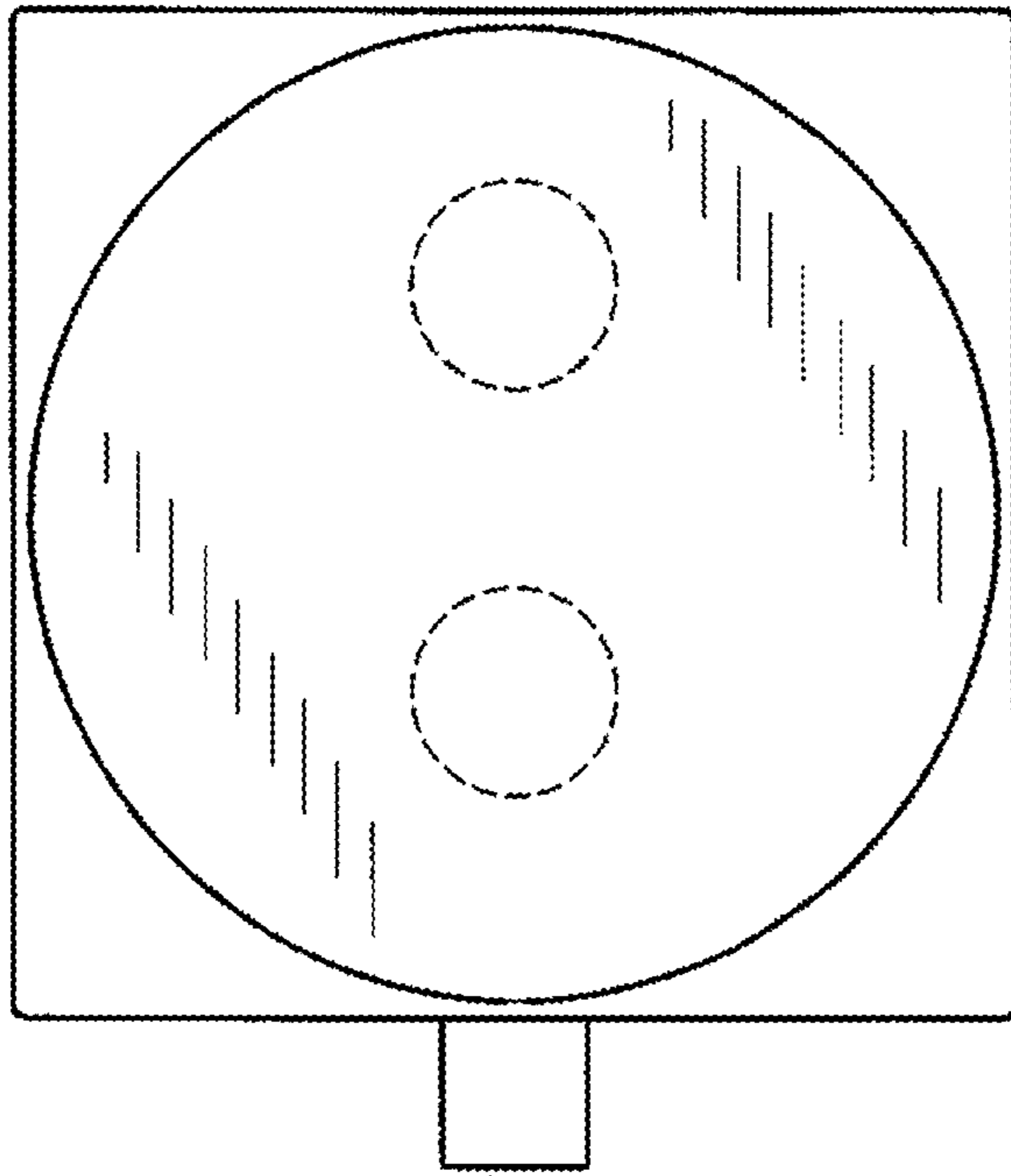


Fig-3

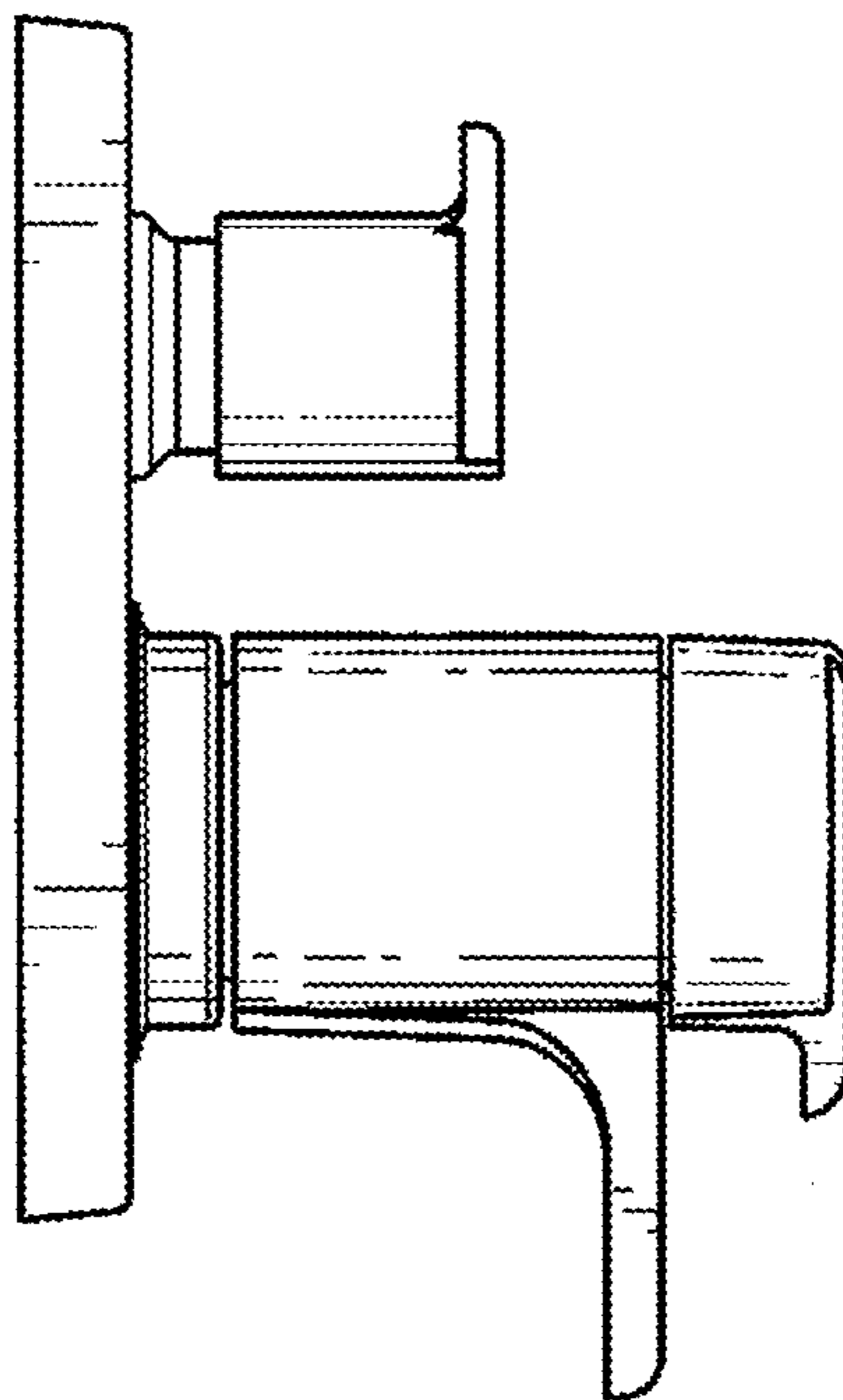


Fig-4

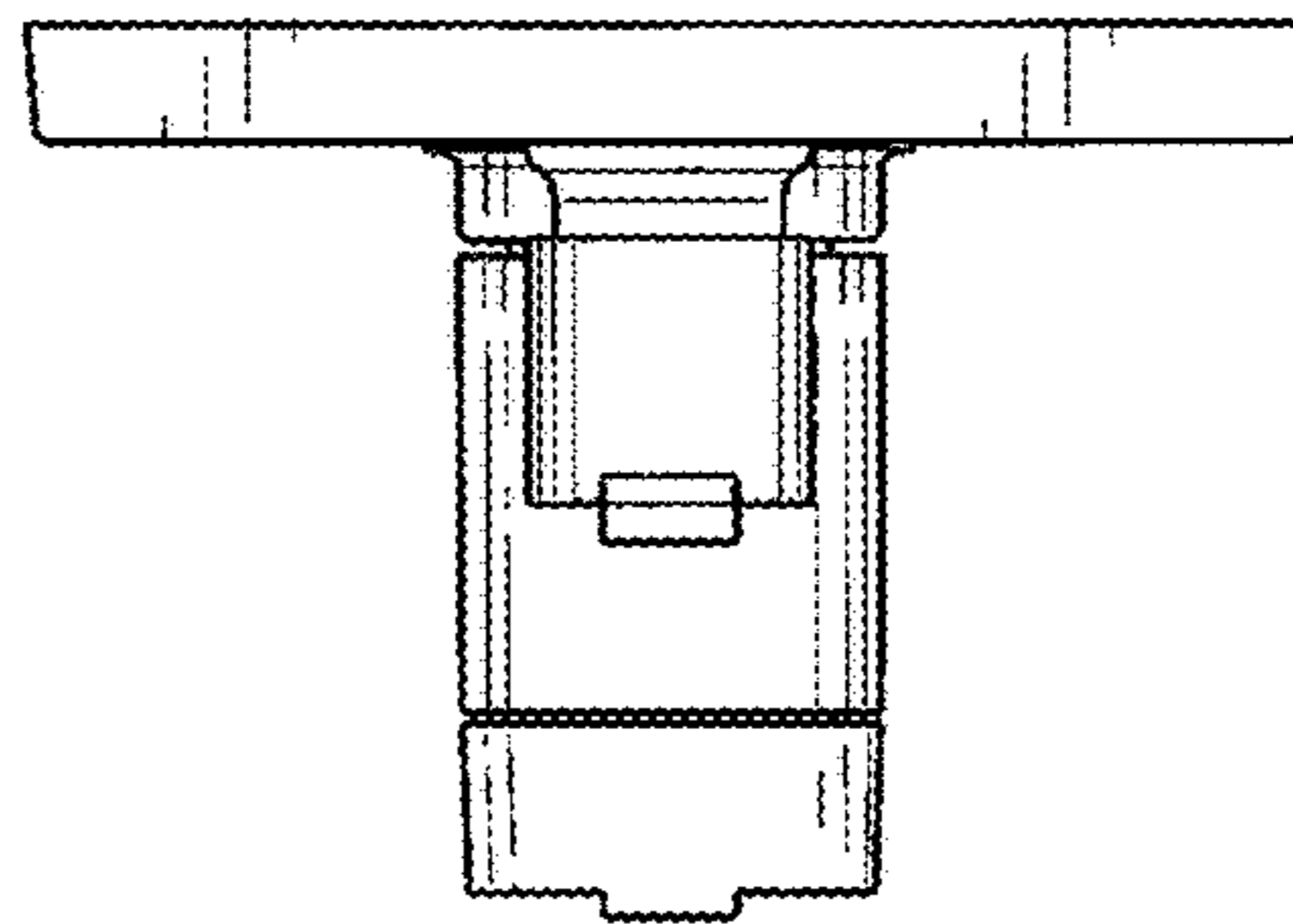


Fig-5

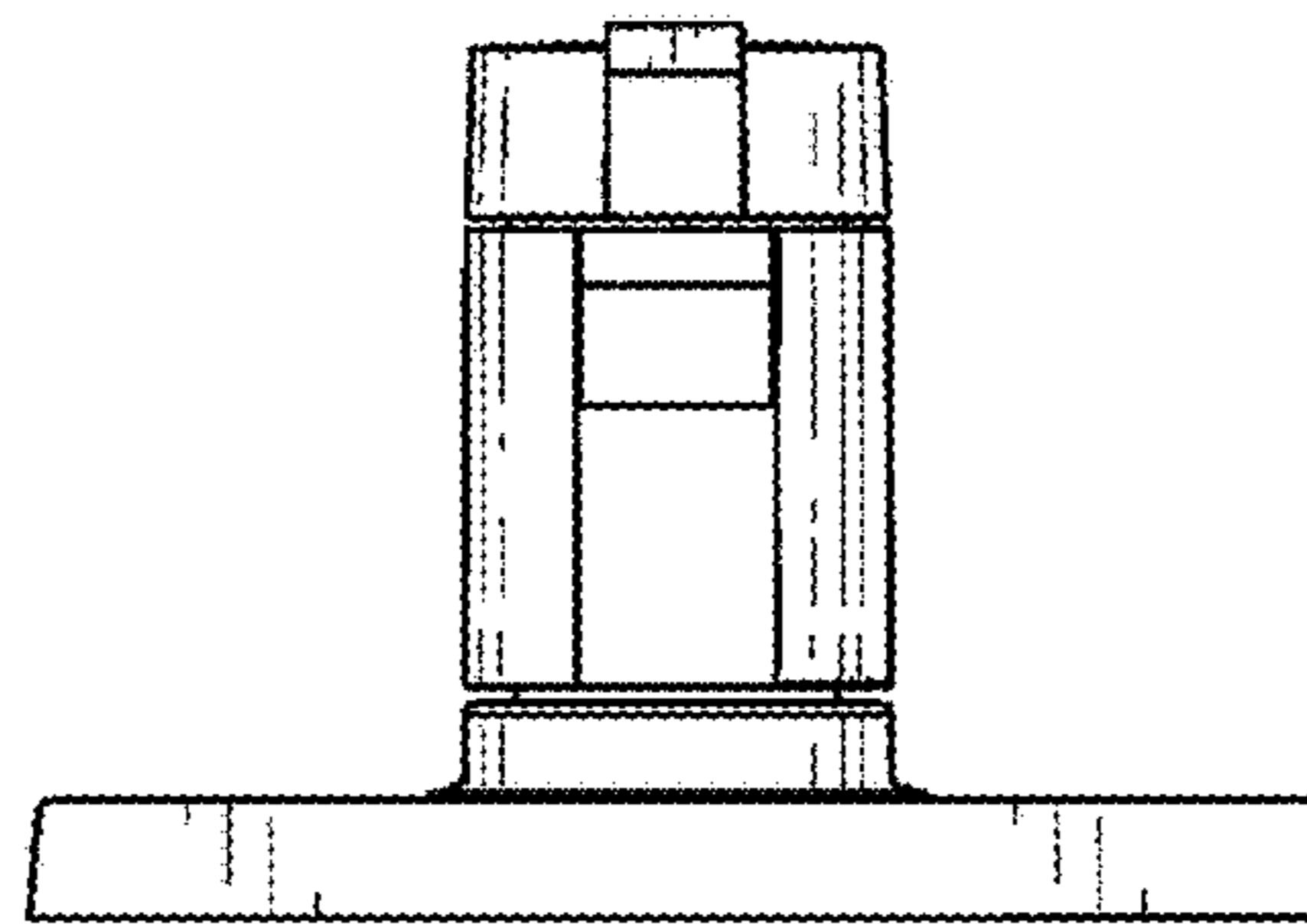


Fig-6