



US00D789490S

(12) **United States Design Patent**
Fritz

(10) **Patent No.:** **US D789,490 S**

(45) **Date of Patent:** **** Jun. 13, 2017**

(54) **VALVE**

D700,957 S * 3/2014 Mendoza D23/254
D714,914 S * 10/2014 Georgeson D23/252
D729,906 S * 5/2015 Fritz D23/252

(71) Applicant: **DELTA FAUCET COMPANY**,
Indianapolis, IN (US)

* cited by examiner

(72) Inventor: **Seth Fritz**, Carmel, IN (US)

Primary Examiner — Robert Delehanty

(73) Assignee: **DELTA FAUCET COMPANY**,
Indianapolis, IN (US)

(74) *Attorney, Agent, or Firm* — Edgar A. Zarins; Nirav
D. Parikh

(**) Term: **15 Years**

(21) Appl. No.: **29/550,808**

(57) **CLAIM**

The ornamental design for a valve, as shown and described.

(22) Filed: **Jan. 7, 2016**

(51) **LOC (10) Cl.** **23-01**

(52) **U.S. Cl.**
USPC **D23/254; D23/252**

DESCRIPTION

(58) **Field of Classification Search**
USPC D23/238–243, 249–250, 252, 254;
D8/307–308, 310, 350–358
CPC E03C 1/04; E03C 1/0401; E03C 1/0402;
E03C 1/0404

FIG. 1 is a perspective view of a valve showing my new design;
FIG. 2 is a front elevational view thereof;
FIG. 3 is a rear view thereof;
FIG. 4 is a left side view thereof, the opposite side being a mirror image of the side shown;
FIG. 5 is a top plan view thereof; and,
FIG. 6 is a bottom view thereof.

See application file for complete search history.

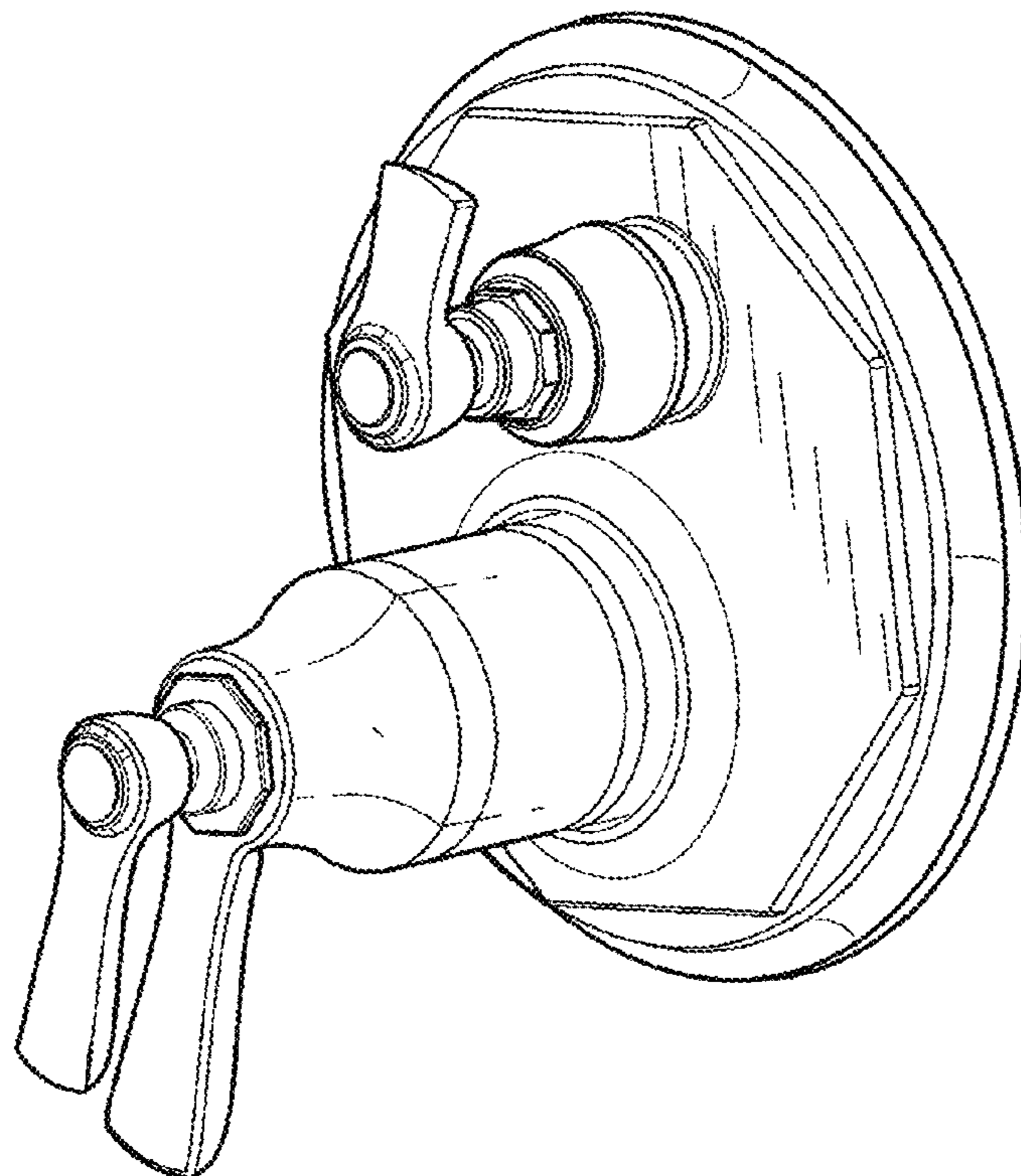
The broken lines showing plumbing holes are included for the purpose of illustrating a portion of the valve that forms no part of the claimed design.

(56) **References Cited**

U.S. PATENT DOCUMENTS

D450,811 S * 11/2001 Gottwald D23/254
D666,699 S * 9/2012 Liao D23/252

1 Claim, 3 Drawing Sheets



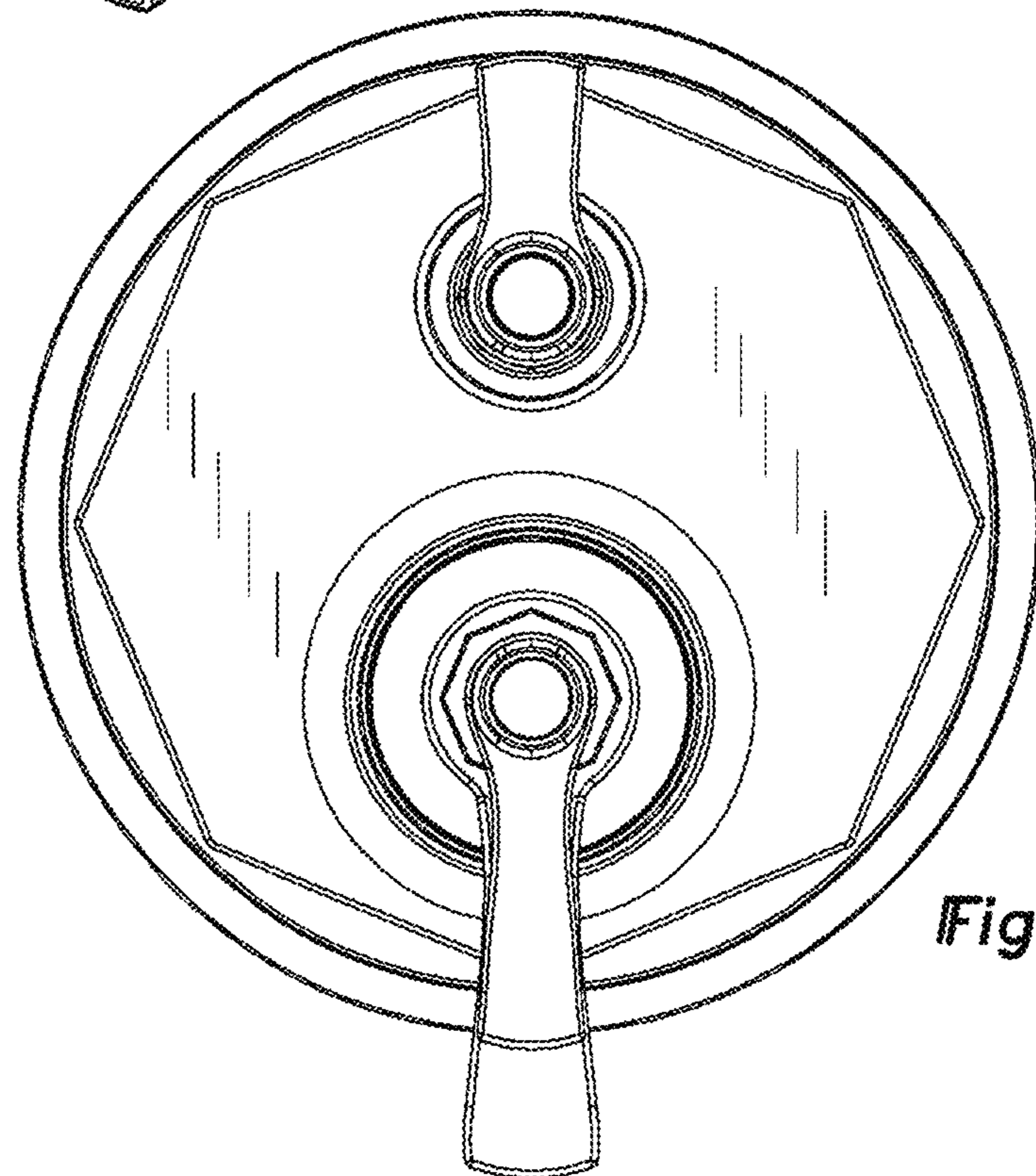
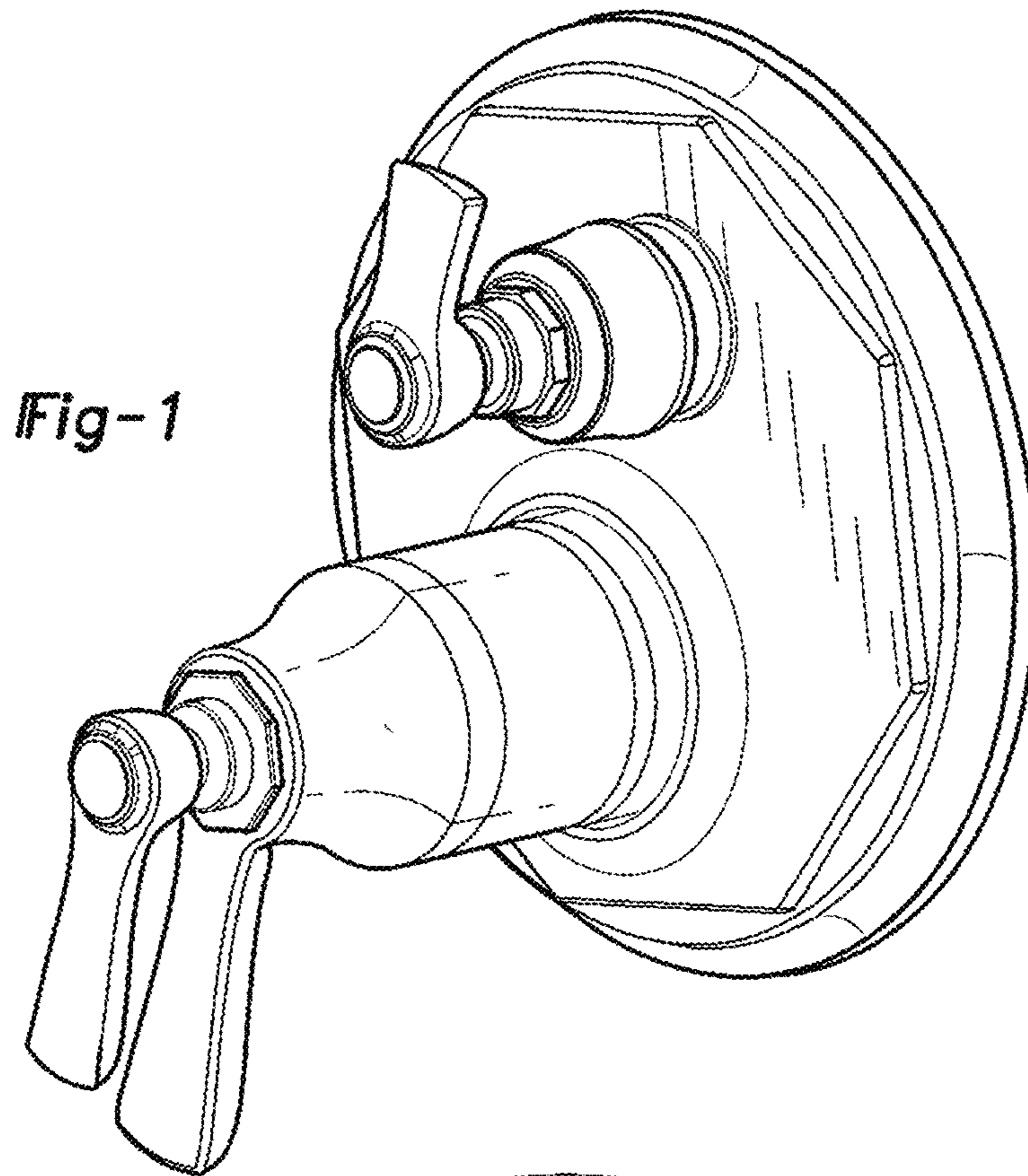


Fig-2

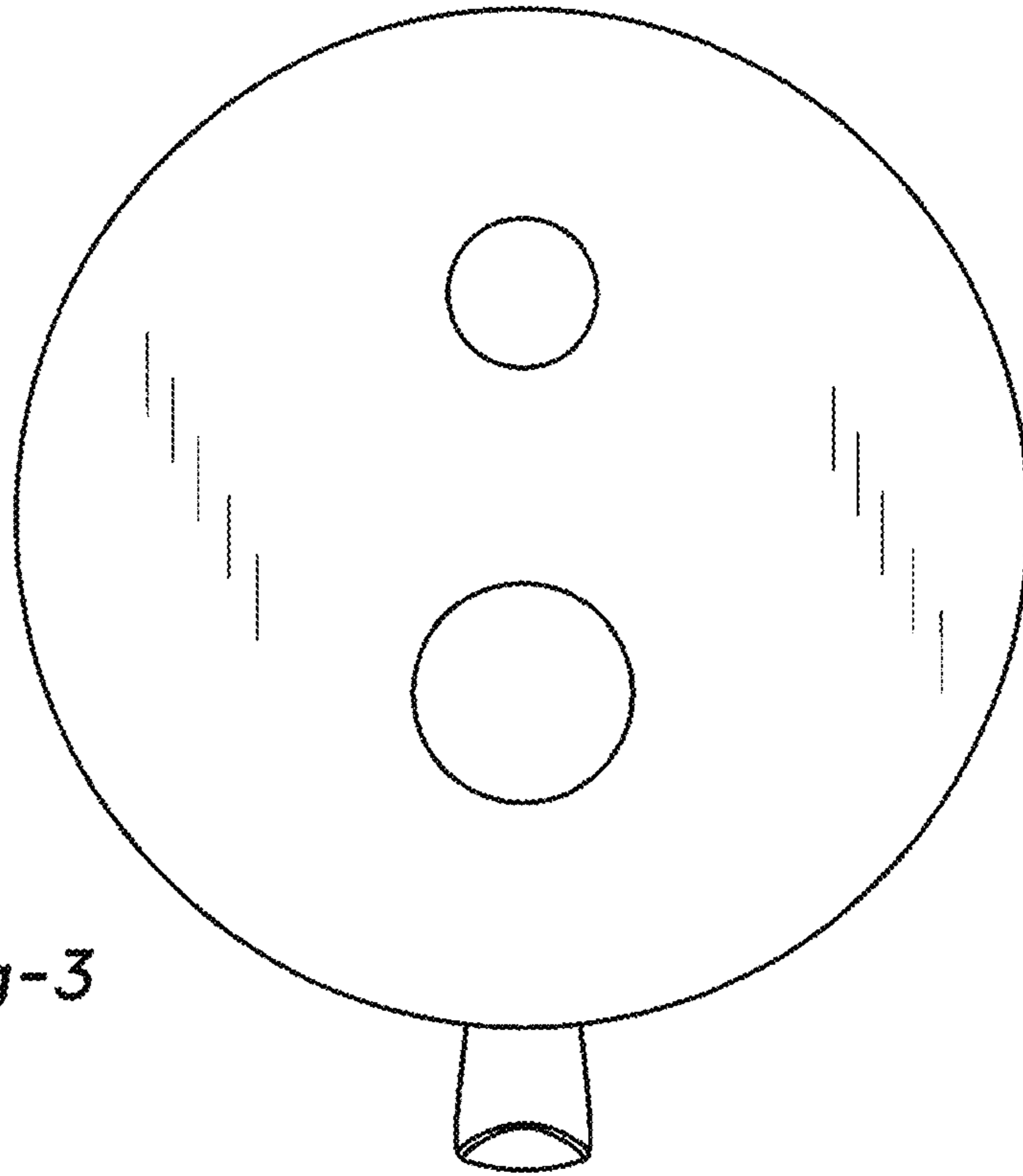


Fig-3

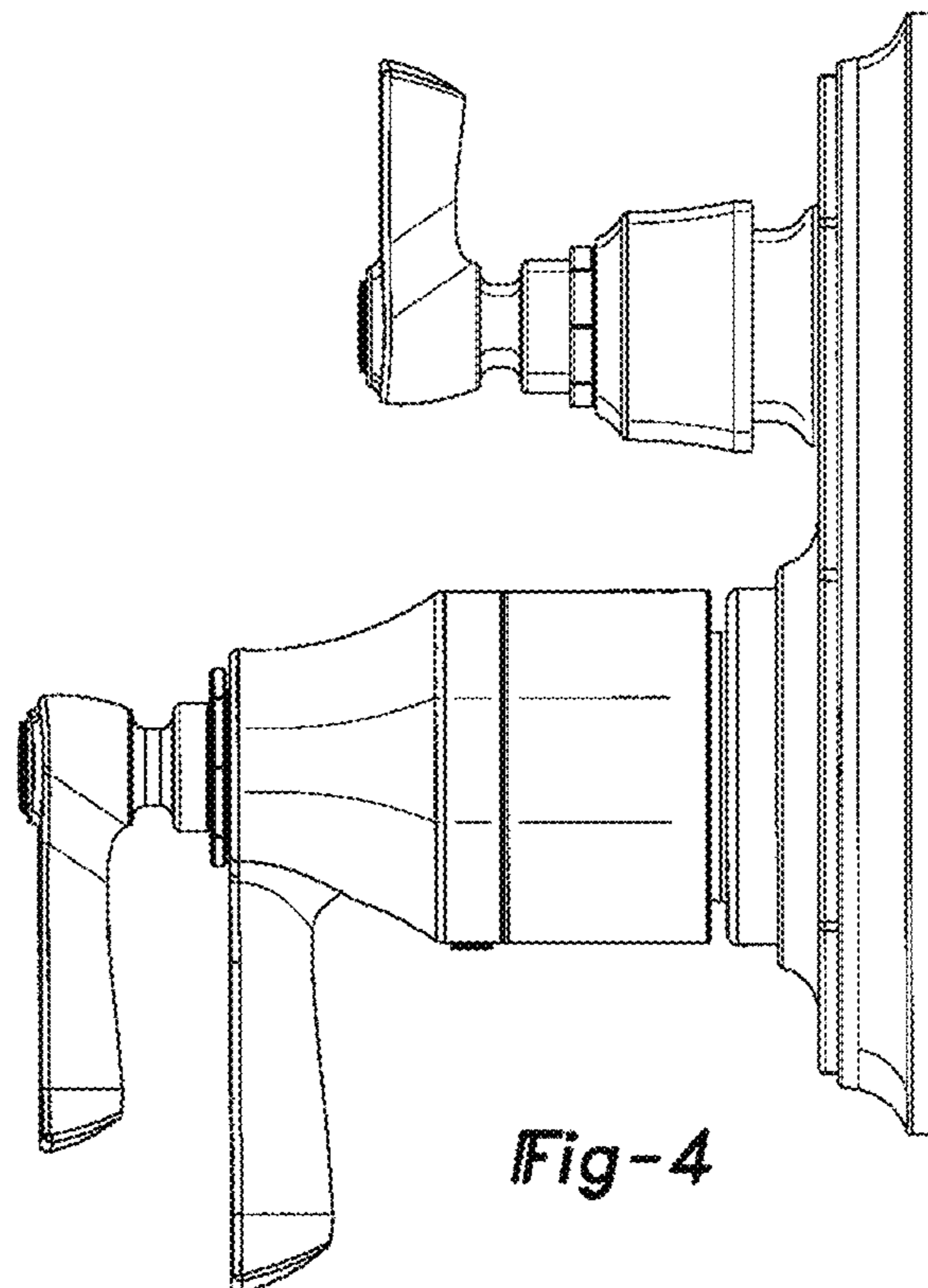


Fig-4

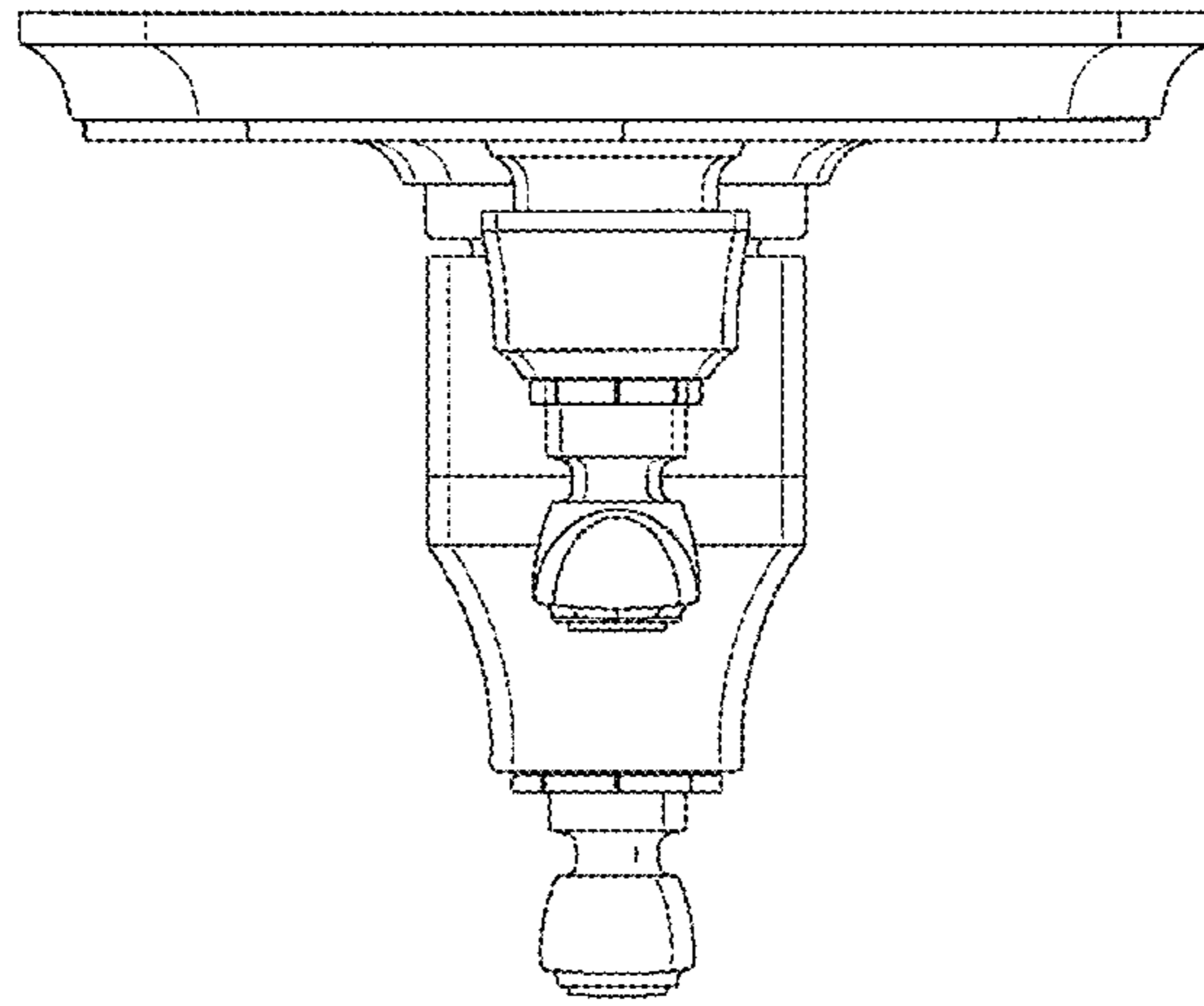


Fig-5

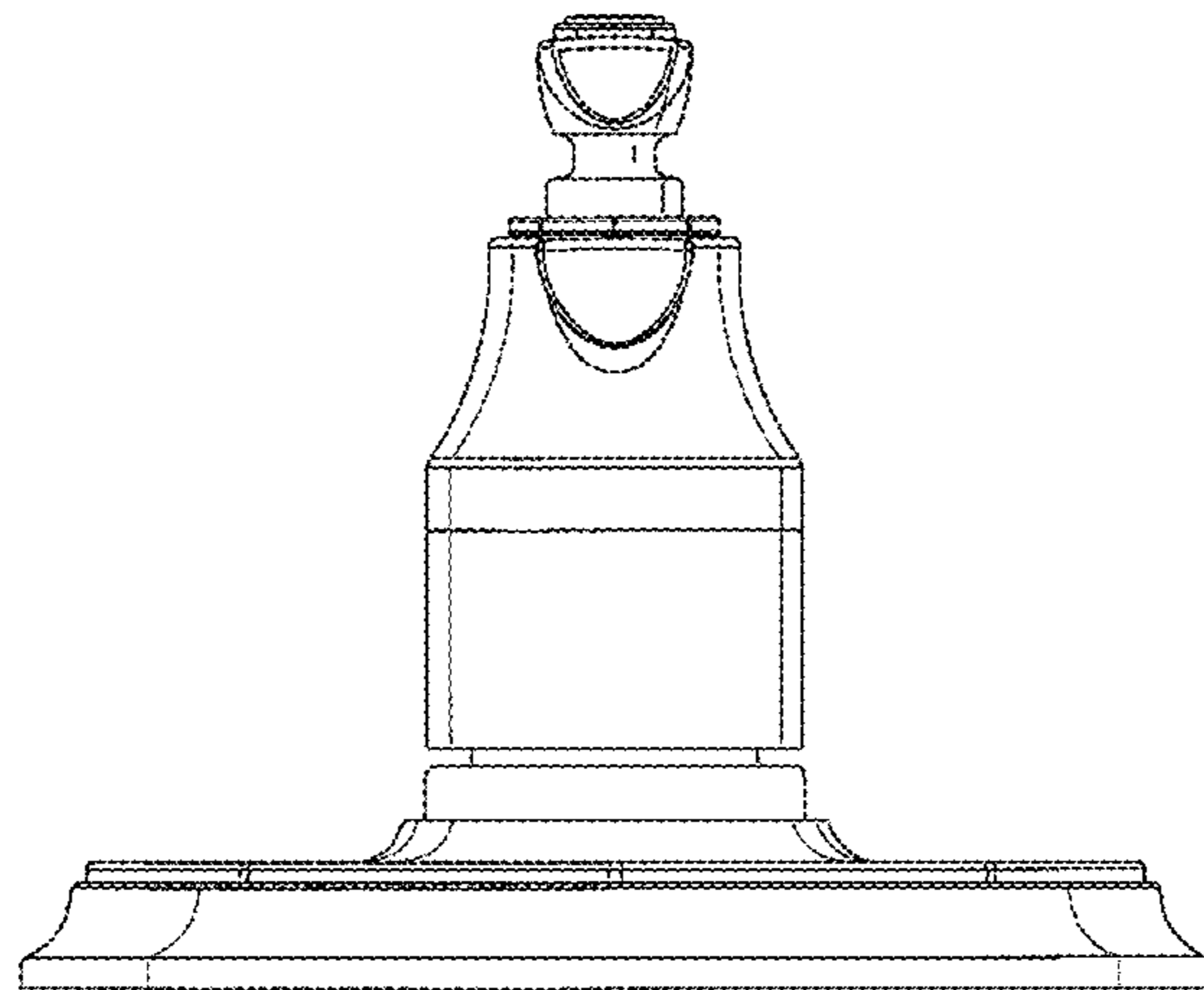


Fig-6