



US00D789489S

(12) **United States Design Patent**
Garland

(10) **Patent No.:** **US D789,489 S**

(45) **Date of Patent:** **** Jun. 13, 2017**

(54) **VALVE**

D648,833 S * 11/2011 Obara D23/252
D674,881 S * 1/2013 Kwok D23/252

(71) Applicant: **DELTA FAUCET COMPANY**,
Indianapolis, IN (US)

* cited by examiner

(72) Inventor: **Celine Kwok Garland**, Zionsville, IN
(US)

Primary Examiner — Robert Delehanty

(74) *Attorney, Agent, or Firm* — Edgar A. Zarins; Nirav
D. Parikh

(73) Assignee: **DELTA FAUCET COMPANY**,
Indianapolis, IN (US)

(**) Term: **15 Years**

(57) **CLAIM**

(21) Appl. No.: **29/550,801**

The ornamental design for a valve, as shown and described.

(22) Filed: **Jan. 7, 2016**

(51) **LOC (10) Cl.** **23-01**

(52) **U.S. Cl.**

USPC **D23/254**; D23/252

(58) **Field of Classification Search**

USPC D23/238–243, 249–250, 252, 254;
D8/307–308, 310, 350–358

CPC E03C 1/04; E03C 1/0401; E03C 1/0402;
E03C 1/0404

See application file for complete search history.

(56) **References Cited**

U.S. PATENT DOCUMENTS

D458,989 S * 6/2002 Mullenmeister D23/250
D542,385 S * 5/2007 Haug D23/254

DESCRIPTION

FIG. 1 is a perspective view of a valve showing my new design;

FIG. 2 is a front elevational view thereof;

FIG. 3 is a rear view thereof;

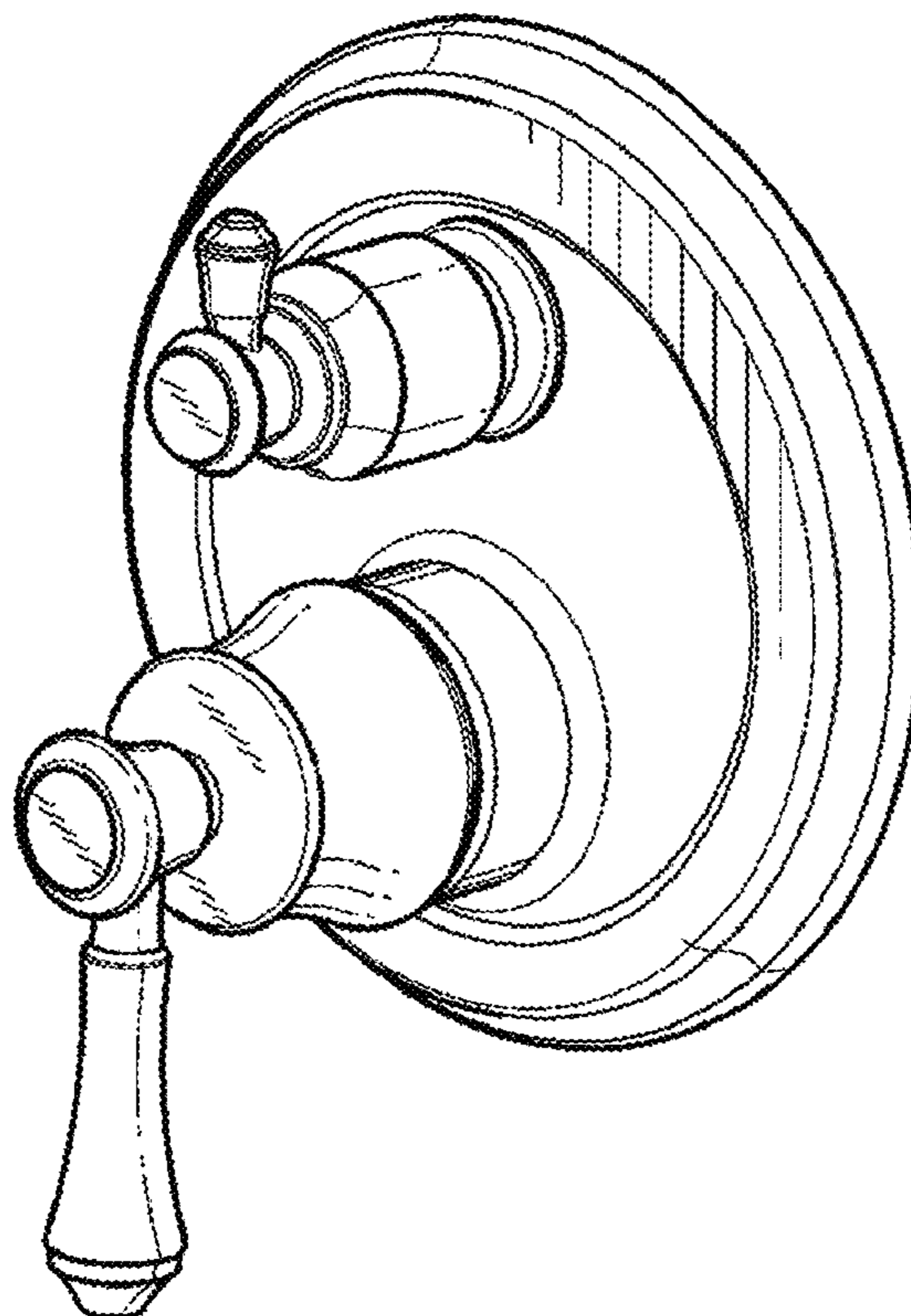
FIG. 4 is a left side view thereof, the opposite side being a mirror image of the side shown;

FIG. 5 is a top plan view thereof; and,

FIG. 6 is a bottom view thereof.

The broken lines showing plumbing holes are included for the purpose of illustrating a portion of the valve that forms no part of the claimed design.

1 Claim, 3 Drawing Sheets



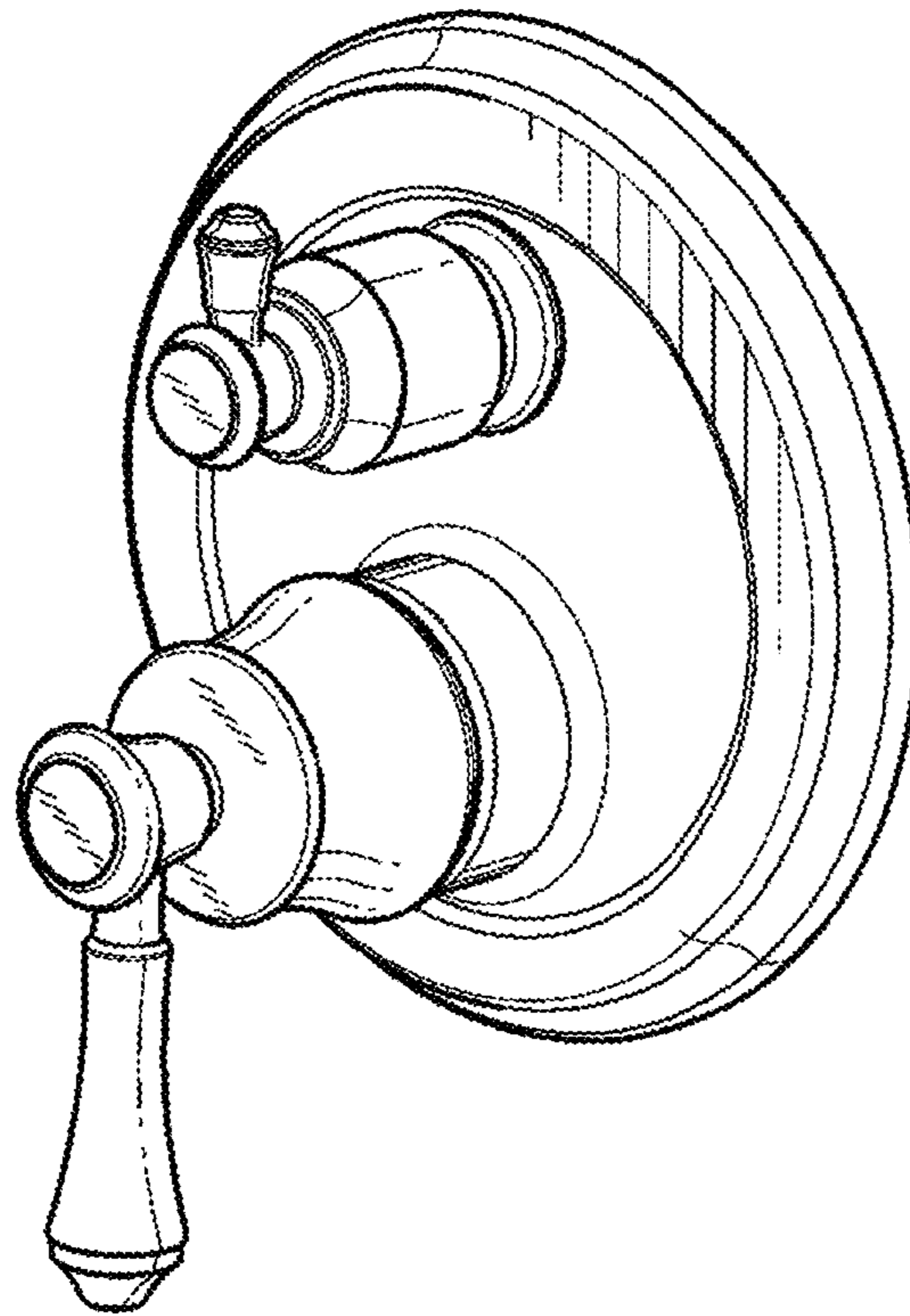


Fig-1

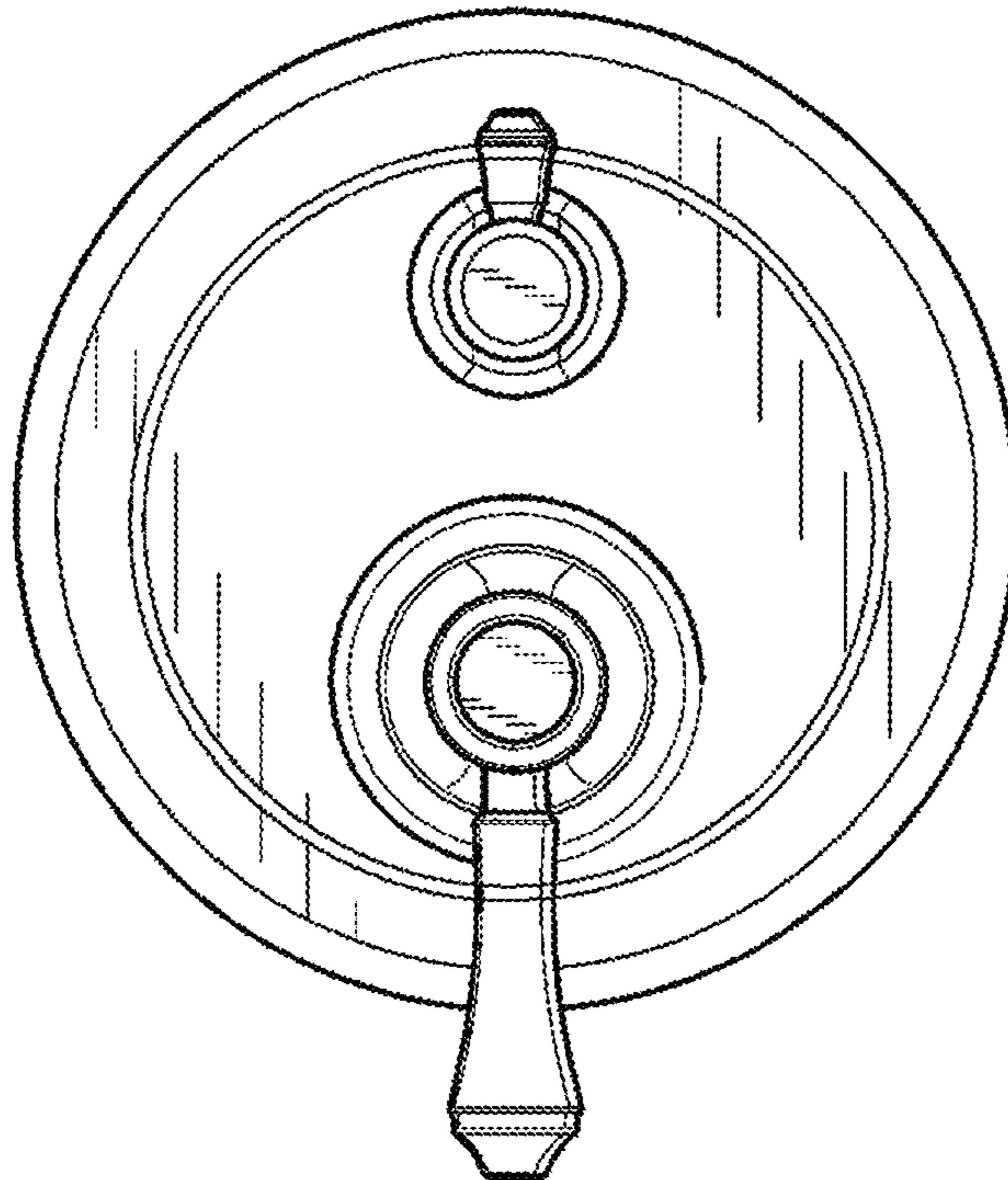


Fig-2

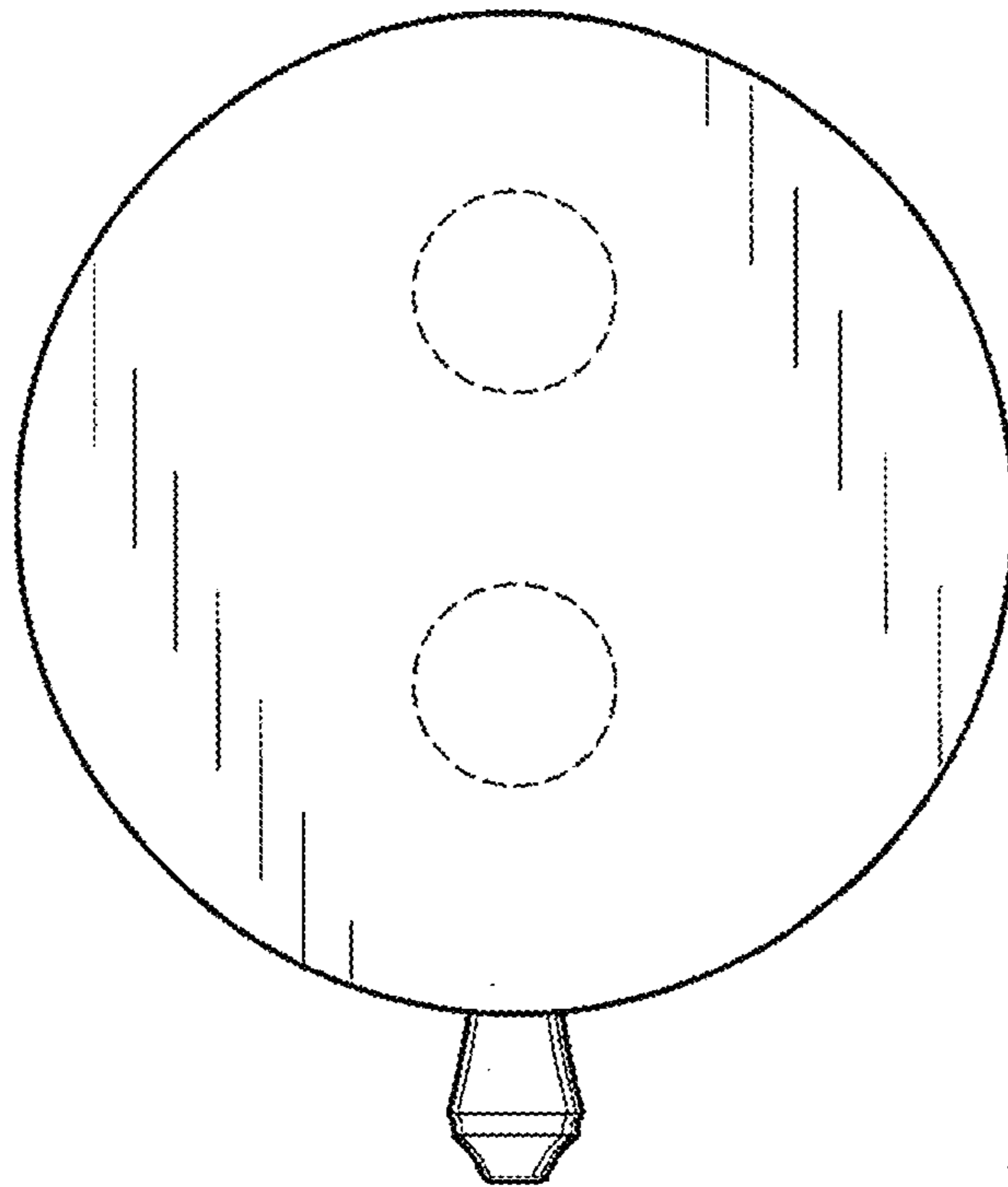


Fig-3

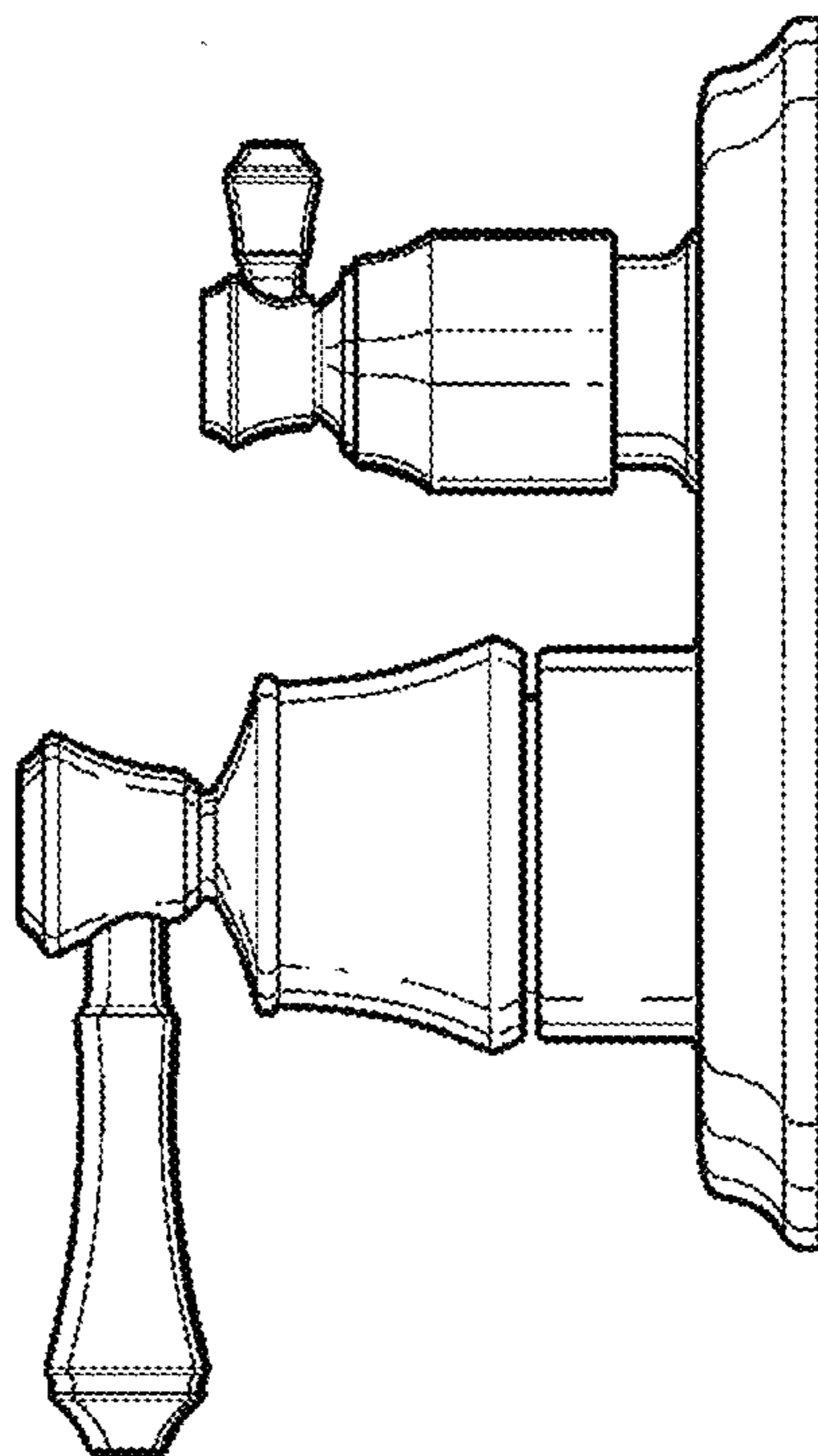


Fig-4

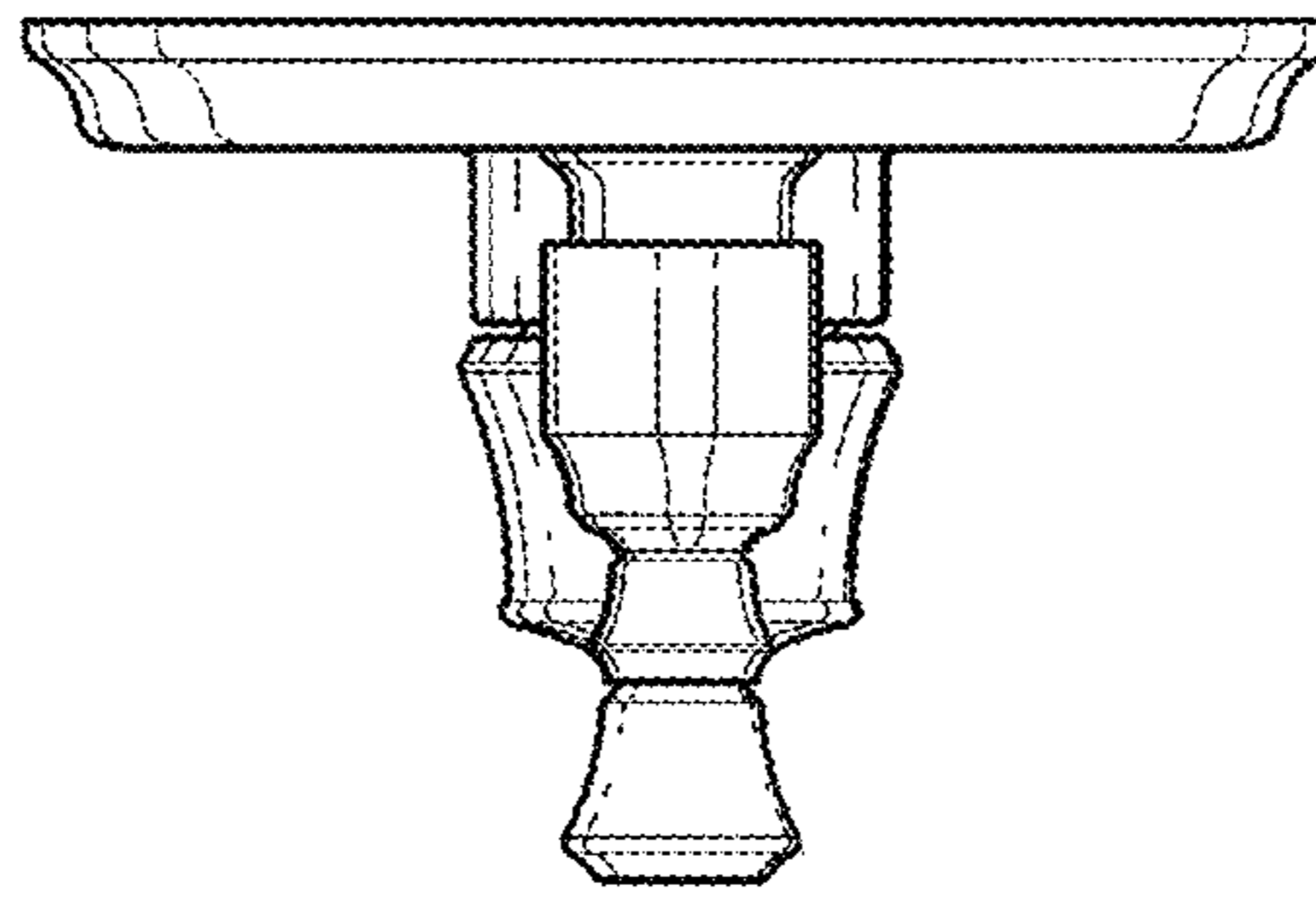


Fig-5

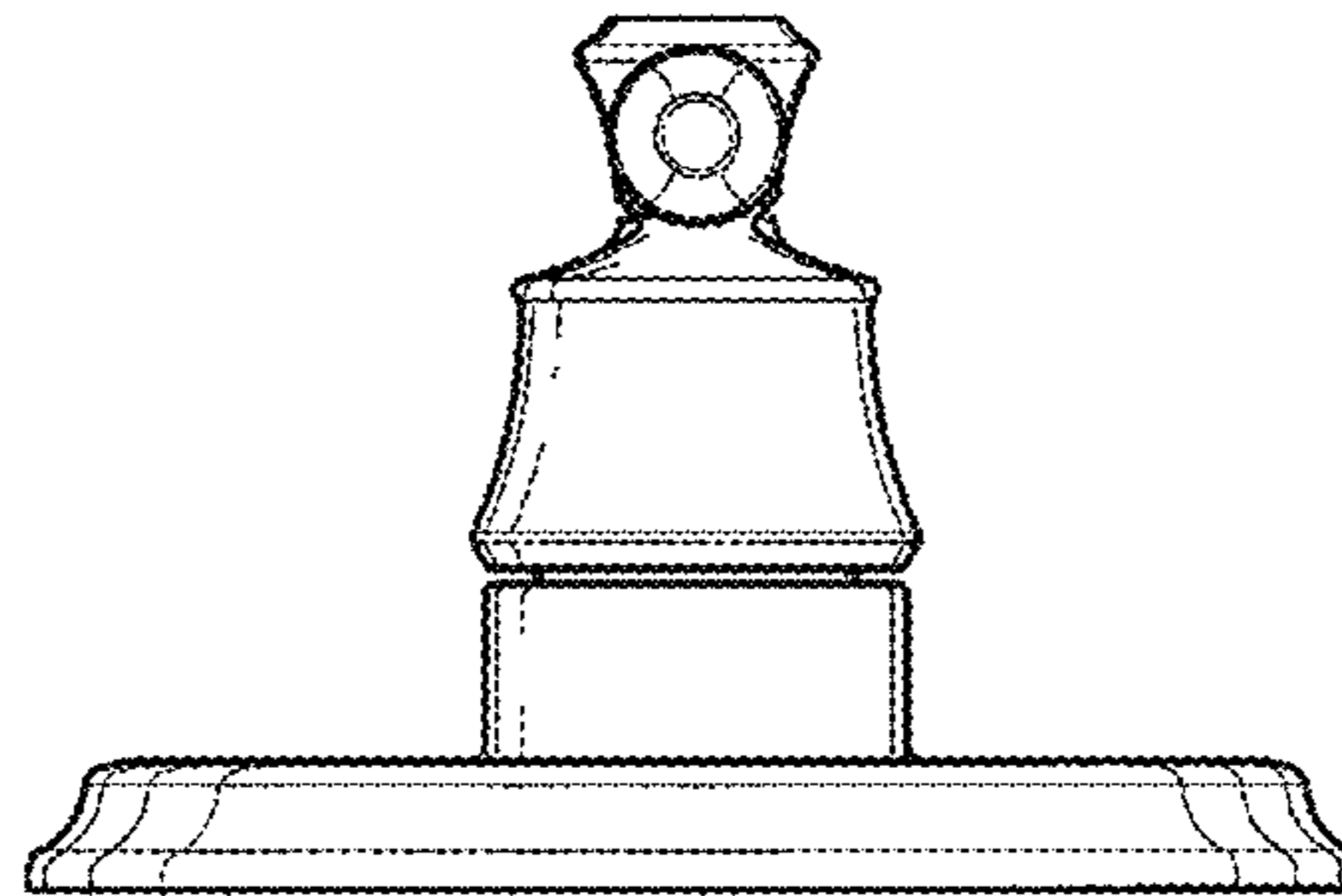


Fig-6