



US00D789488S

(12) **United States Design Patent**
Rexach

(10) **Patent No.:** **US D789,488 S**

(45) **Date of Patent:** **** Jun. 13, 2017**

(54) **FAUCET HANDLE**

(71) Applicant: **Kohler Co.**, Kohler, WI (US)

(72) Inventor: **Rafael Alfredo Rexach**, Sheboygan, WI (US)

(73) Assignee: **KOHLER CO.**, Kohler, WI (US)

(**) Term: **15 Years**

(21) Appl. No.: **29/579,029**

(22) Filed: **Sep. 27, 2016**

Related U.S. Application Data

(62) Division of application No. 29/519,948, filed on Mar. 9, 2015, now Pat. No. Des. 769,417.

(51) **LOC (10) Cl.** **23-01**

(52) **U.S. Cl.**
USPC **D23/252**

(58) **Field of Classification Search**

USPC D23/238–243, 249–250, 252, 255, 257
CPC E03C 1/04; E03C 1/0401; E03C 1/0402;
E03C 1/0404; F16K 31/602; F16K
31/605; F16K 31/607

See application file for complete search history.

(56) **References Cited**

U.S. PATENT DOCUMENTS

| | | |
|------------|---------|--------------------|
| D466,987 S | 12/2002 | Smith |
| D503,217 S | 3/2005 | Aubry et al. |
| D527,794 S | 9/2006 | Sieger |
| D530,790 S | 10/2006 | Kohler, Jr. et al. |
| D534,619 S | 1/2007 | Garner |
| D534,993 S | 1/2007 | Kirar |
| D563,192 S | 3/2008 | Barry |
| D588,235 S | 3/2009 | Rexach |
| D598,072 S | 8/2009 | Zetsche |

| | | |
|--------------|---------|----------------|
| D602,570 S | 10/2009 | Lammel et al. |
| D605,261 S | 12/2009 | Allard |
| D615,162 S | 5/2010 | Pan |
| D628,277 S | 11/2010 | Montgomery |
| D645,941 S | 9/2011 | Ando et al. |
| D689,987 S | 9/2013 | Kington et al. |
| 8,567,430 B2 | 10/2013 | Allen |
| D720,432 S | 12/2014 | Hundley et al. |

OTHER PUBLICATIONS

US Notice of Allowance on U.S. Appl. No. 29/519,944 dated Mar. 3, 2016.

Primary Examiner — Robert Delehanty

(74) *Attorney, Agent, or Firm* — Foley & Lardner LLP

(57) **CLAIM**

I claim the ornamental design for a faucet handle, as shown and described.

DESCRIPTION

FIG. 1 is a top, front, right, perspective view of an embodiment of the claimed design;

FIG. 2 is a front elevation view thereof;

FIG. 3 is a rear elevation view thereof;

FIG. 4 is a right side elevation view thereof;

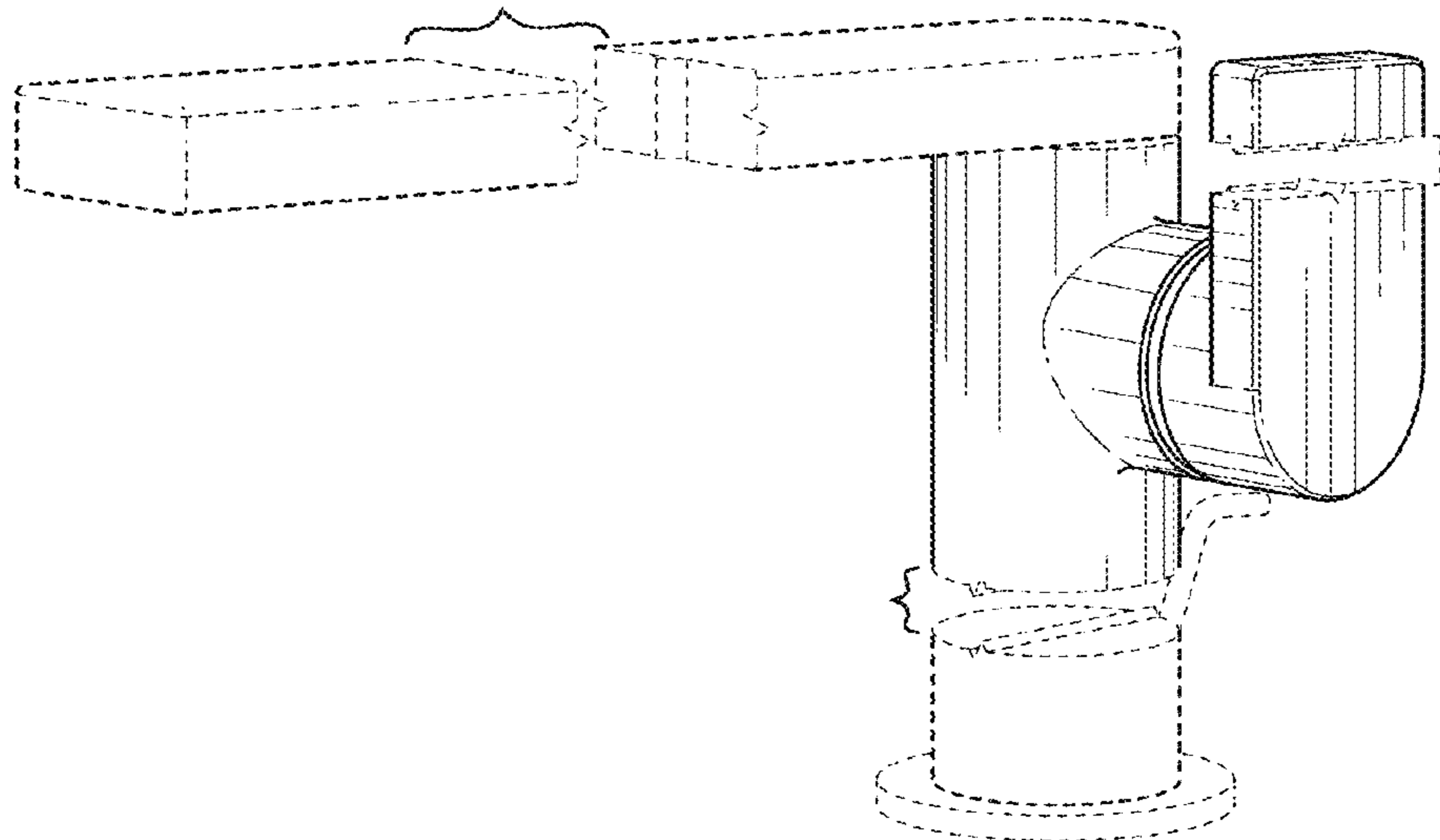
FIG. 5 is a left side elevation view thereof;

FIG. 6 is a top plan view thereof; and,

FIG. 7 is a bottom plan view thereof.

The ornamental design which is claimed is shown in solid lines in the drawings. The broken lines in the drawings are for illustrative purposes only and form no part of the claimed design. Broken lines formed by equal length dashes show unclaimed subject matter. Broken away symbols having a jagged element show that no particular length of the portion is claimed.

1 Claim, 4 Drawing Sheets



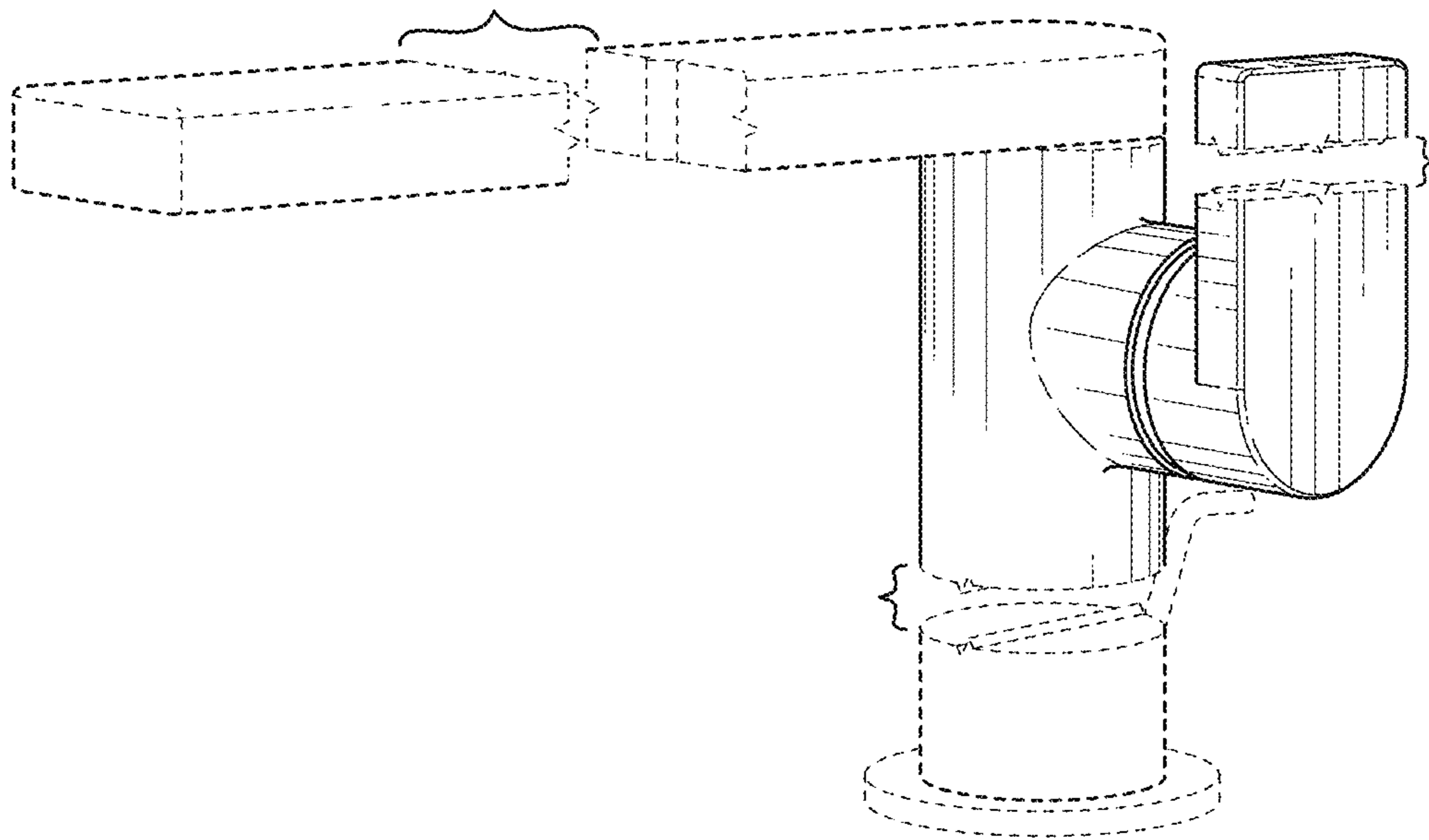


FIG. 1

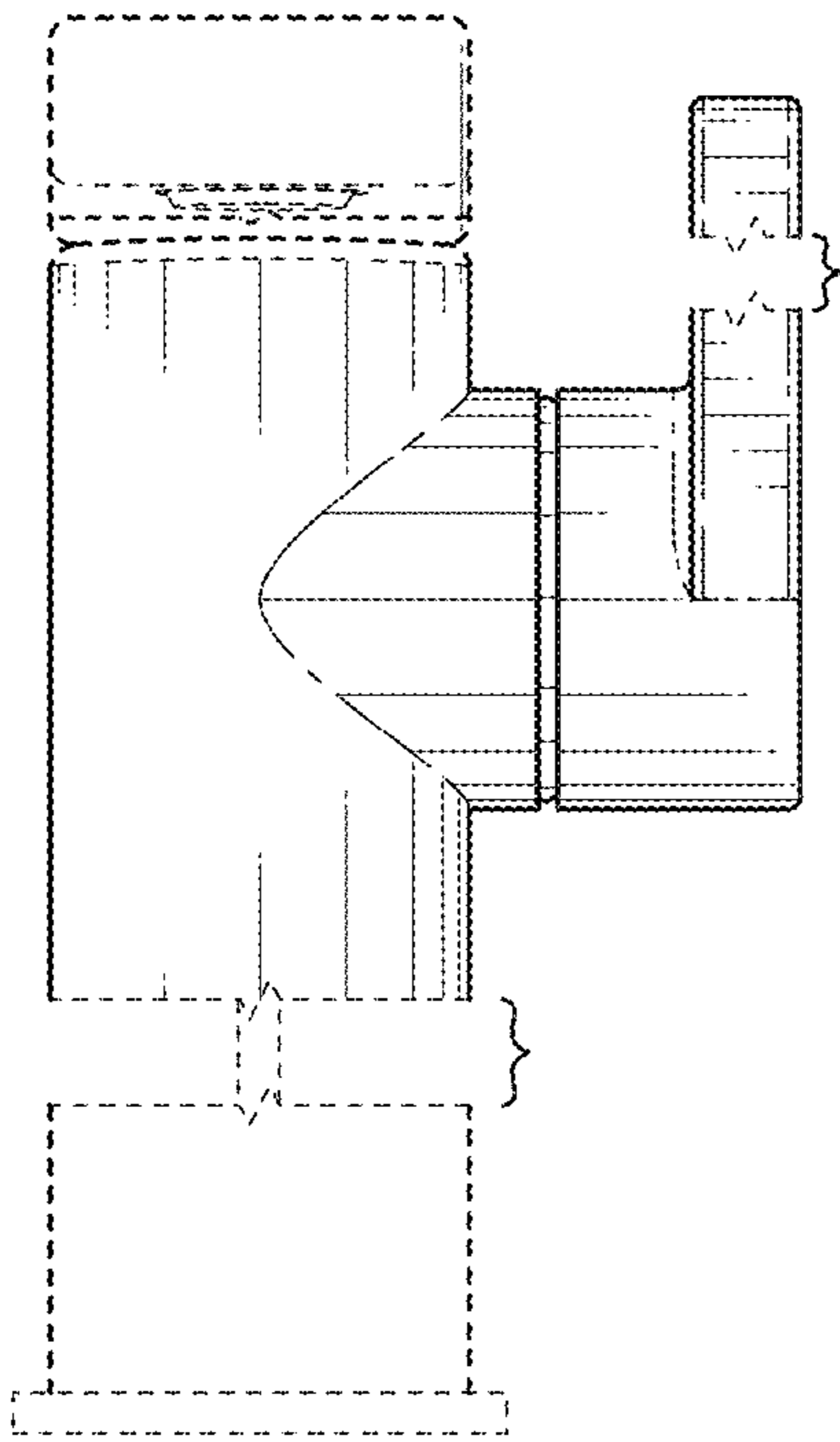


FIG. 2

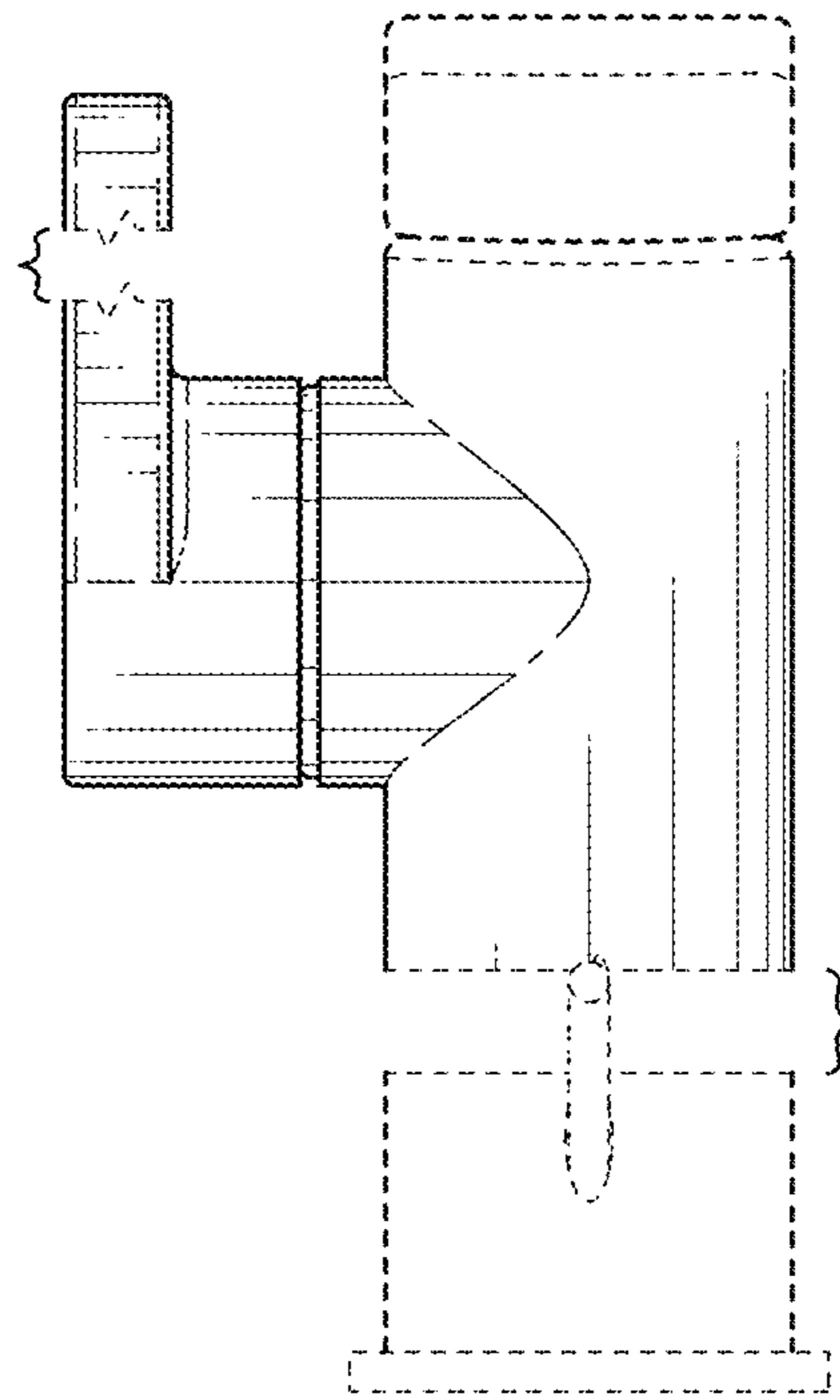


FIG. 3

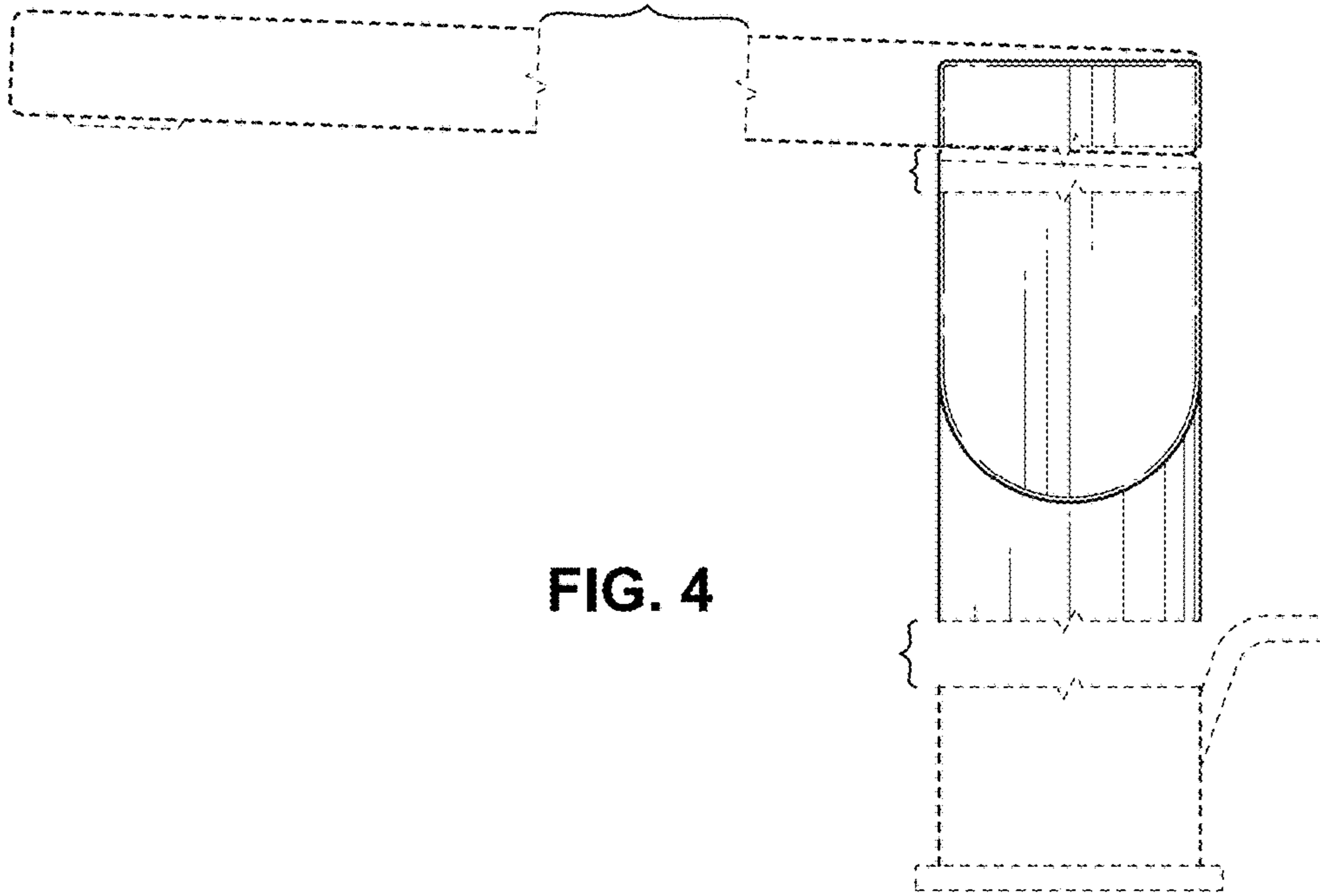


FIG. 4

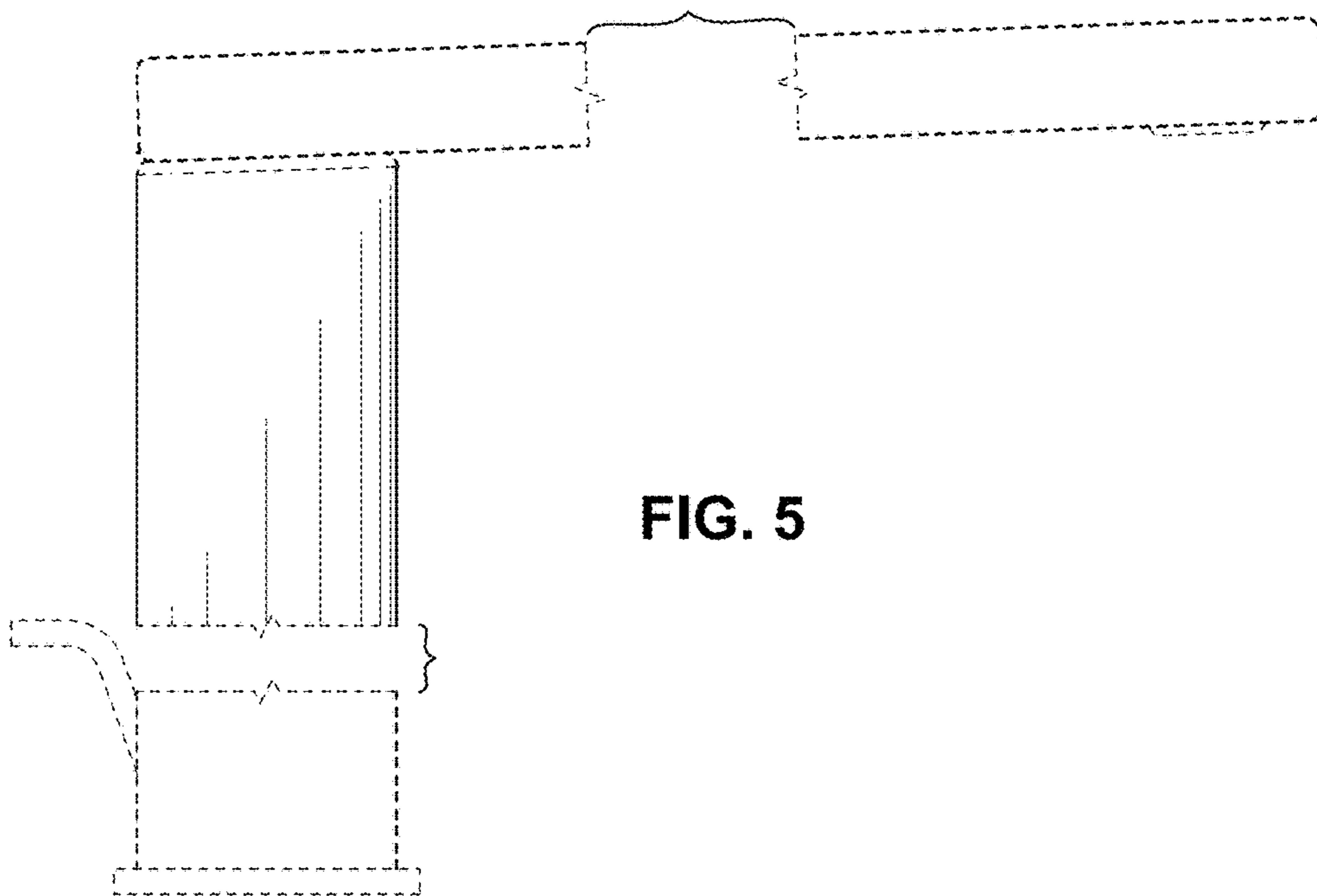


FIG. 5

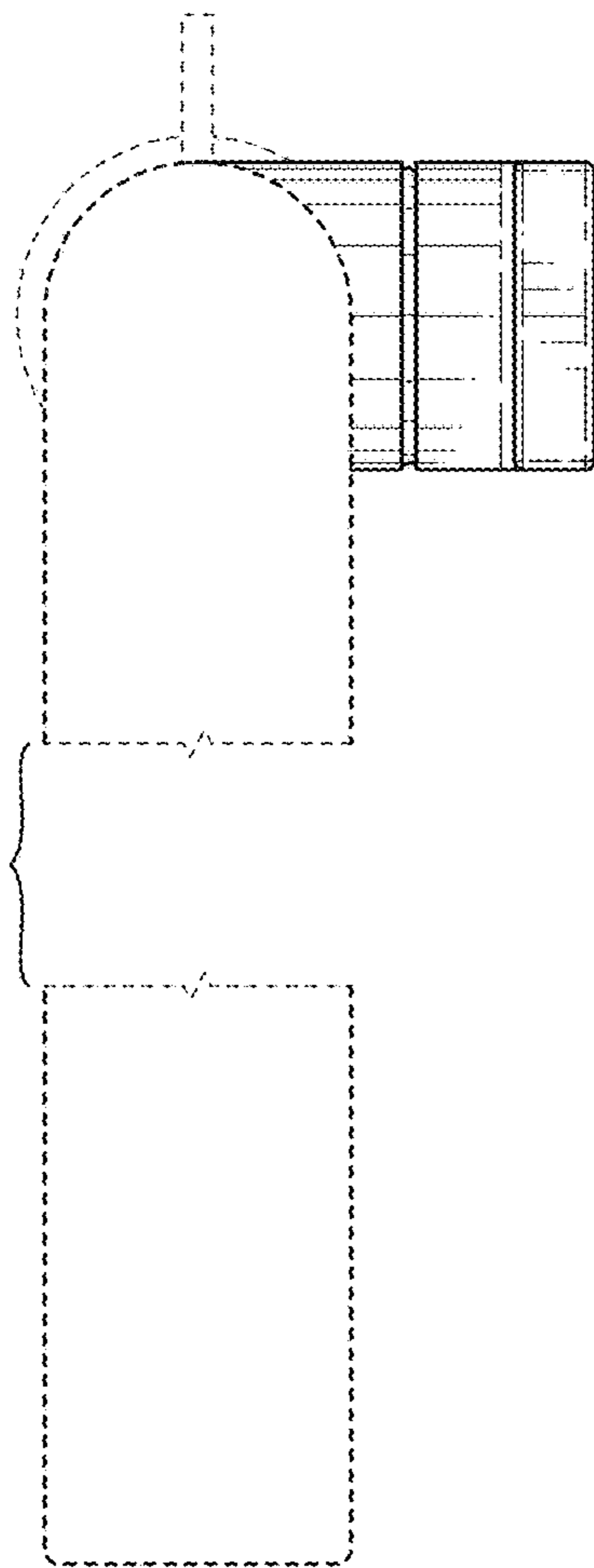


FIG. 6

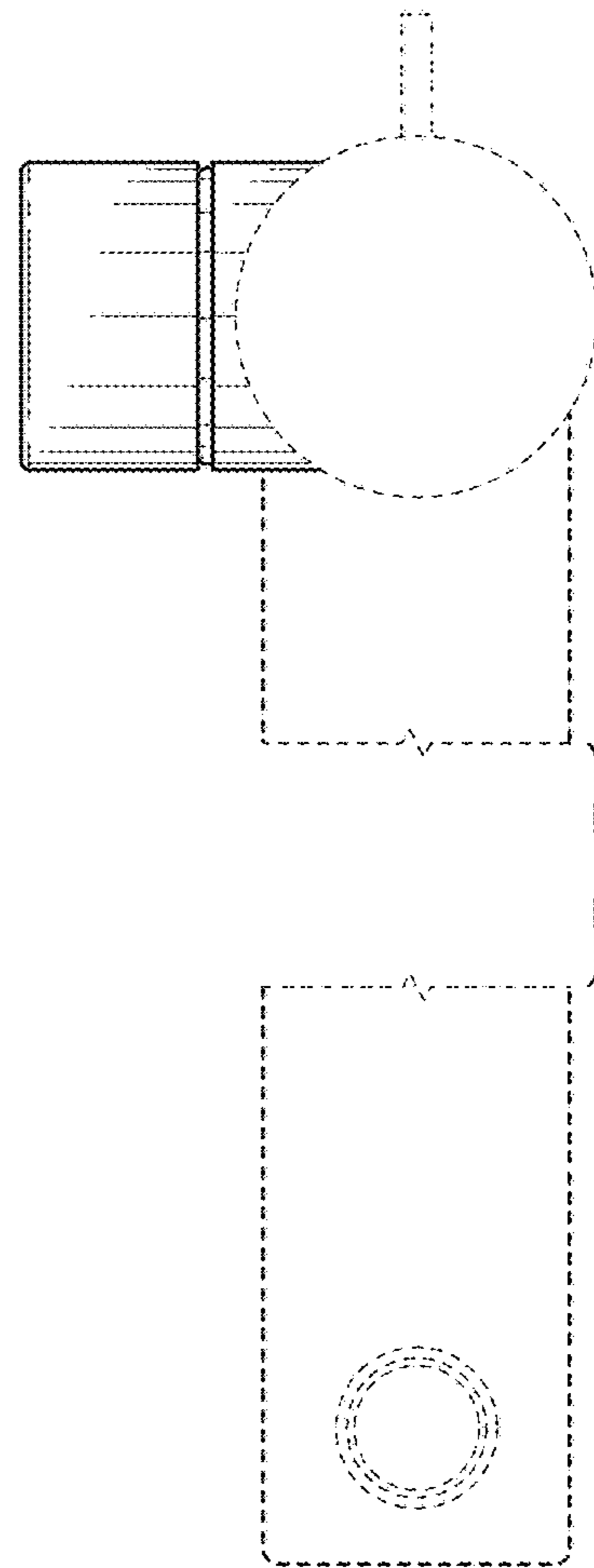


FIG. 7