



US00D789484S

(12) **United States Design Patent**  
**Yoon**

(10) **Patent No.:** **US D789,484 S**  
(45) **Date of Patent:** **\*\* Jun. 13, 2017**

- (54) **WATER IONIZER**
- (71) Applicant: **Taeyoung E&T Co., Ltd.**, Yangsan-si, Gyeongsangnam-do (KR)
- (72) Inventor: **Taeyoung Yoon**, Busan (KR)
- (73) Assignee: **TAEYOUNG E&T CO., LTD.**, Yangsang-si, Gyeongsangnam-do (KR)
- (\*\*) Term: **15 Years**
- (21) Appl. No.: **29/556,044**
- (22) Filed: **Feb. 26, 2016**
- (51) **LOC (10) Cl.** ..... **23-01**
- (52) **U.S. Cl.**  
USPC ..... **D23/207**
- (58) **Field of Classification Search**  
USPC ..... D23/207, 209; 204/600, 660; 202/81, 202/83, 185.3; 210/85, 241, 190, 191; D7/306  
CPC ..... C02F 1/42  
See application file for complete search history.

- D485,330 S \* 1/2004 Shyu ..... D23/207
- D504,935 S \* 5/2005 Taneike ..... D23/207
- D590,044 S \* 4/2009 Cho ..... D23/207
- D596,702 S \* 7/2009 Chen ..... D23/207
- D618,301 S \* 6/2010 Cho ..... D23/207
- D718,414 S \* 11/2014 Lo ..... D23/207
- D767,711 S \* 9/2016 Anumalasetty ..... D23/207

\* cited by examiner

*Primary Examiner* — Robin V Webster

(74) *Attorney, Agent, or Firm* — Rabin & Berdo, P.C.

(56) **References Cited**

**U.S. PATENT DOCUMENTS**

- D295,656 S \* 5/1988 Bond ..... D23/207
- D453,951 S \* 2/2002 Kim ..... D23/207

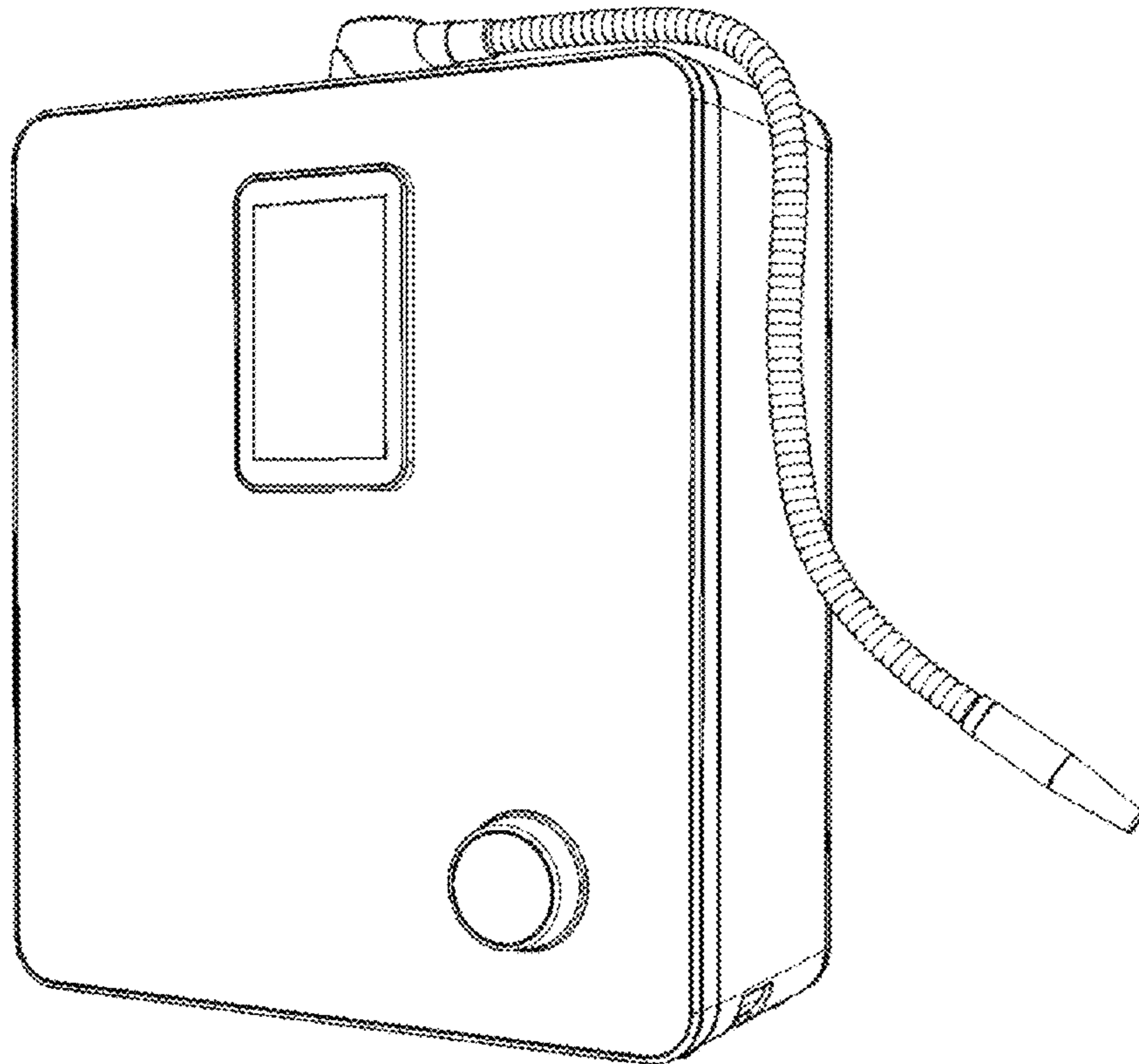
(57) **CLAIM**

The ornamental design for a water ionizer, as shown and described.

**DESCRIPTION**

FIG. 1 is a perspective view of a water ionizer showing my new design;  
 FIG. 2 is a front elevational view thereof;  
 FIG. 3 is a rear elevational view thereof;  
 FIG. 4 is a left side elevational view thereof;  
 FIG. 5 is a right side elevational view thereof;  
 FIG. 6 is a top view thereof; and,  
 FIG. 7 is a bottom view thereof.

**1 Claim, 7 Drawing Sheets**



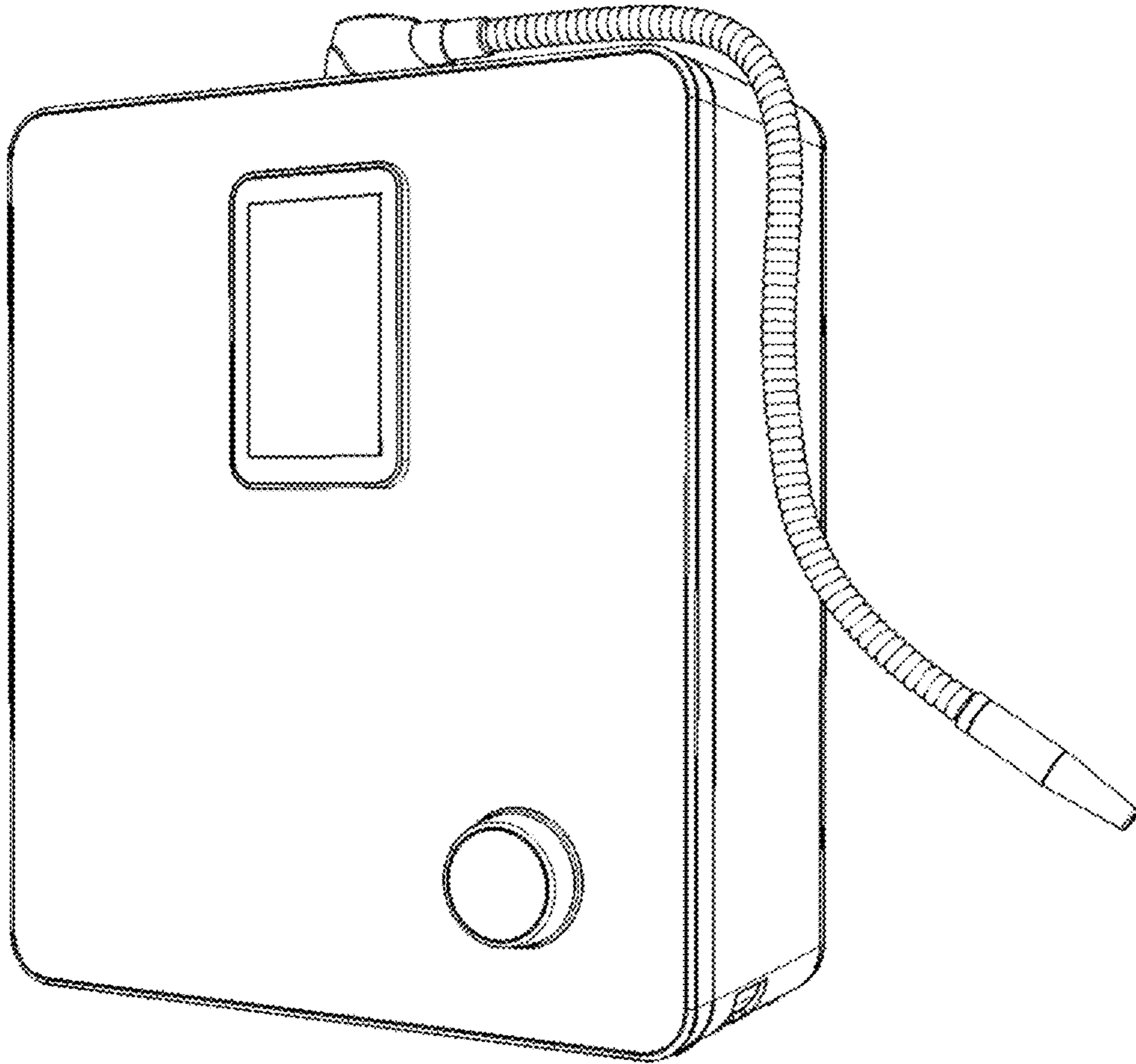


FIG. 1

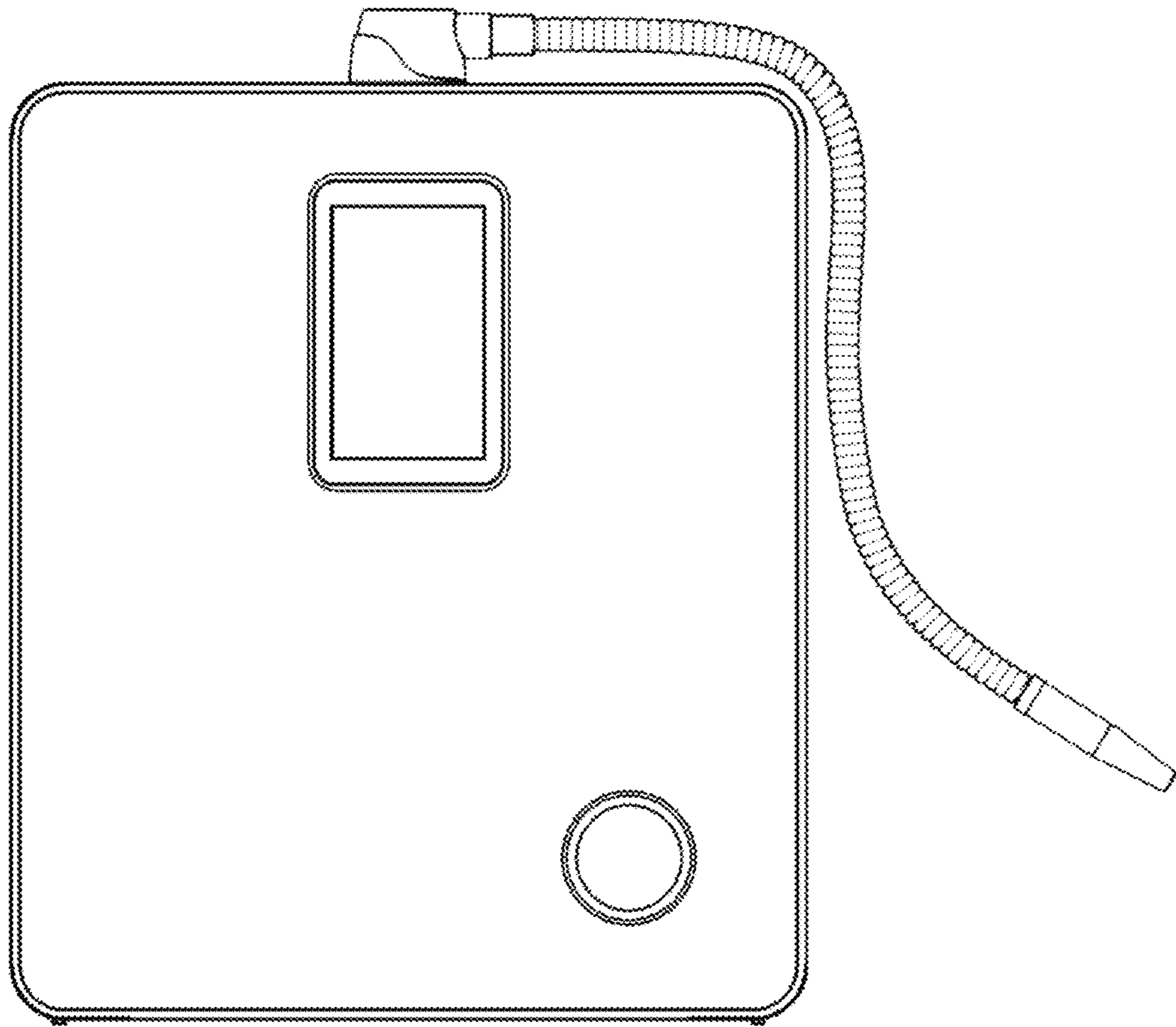


FIG. 2

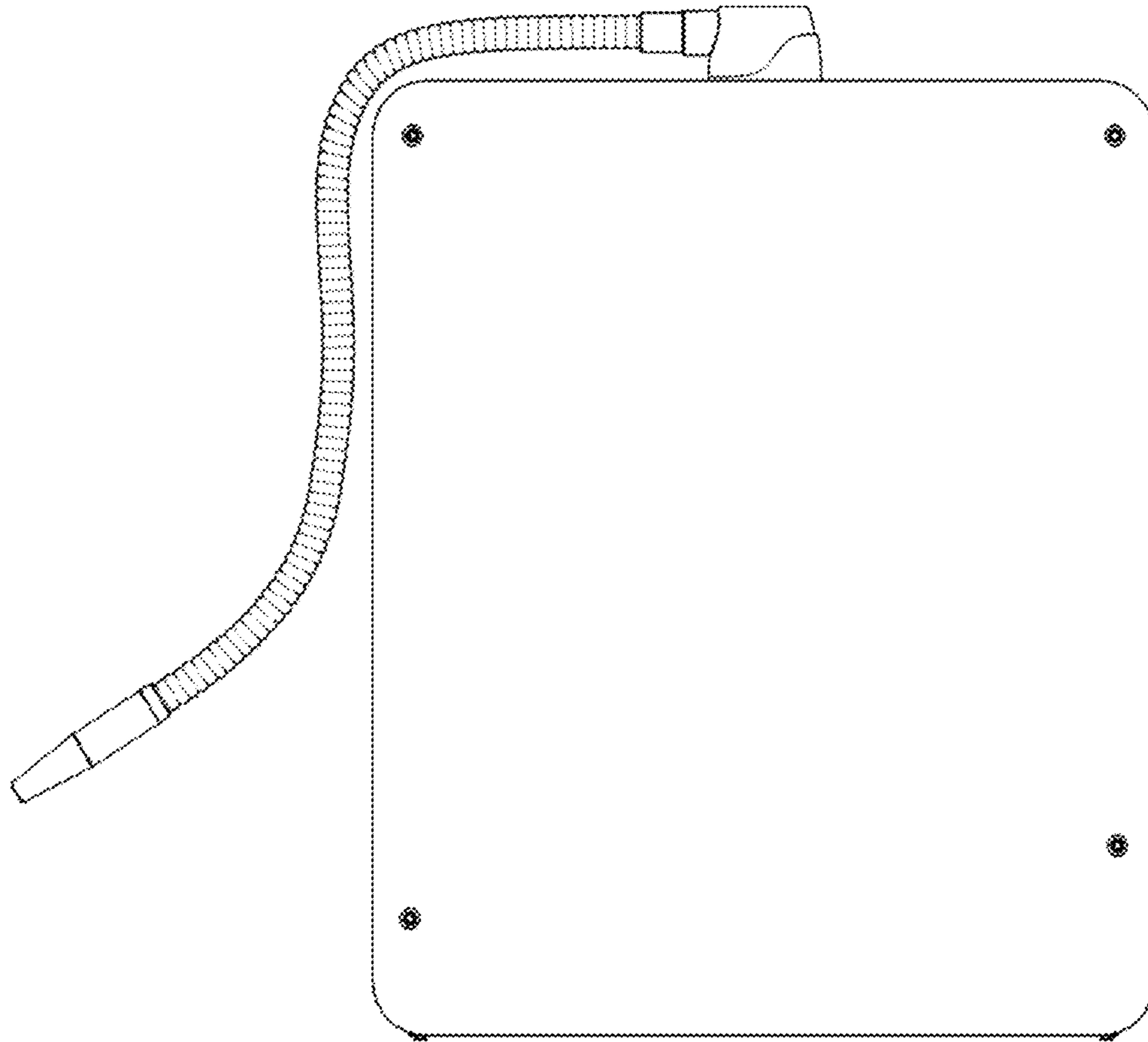


FIG. 3

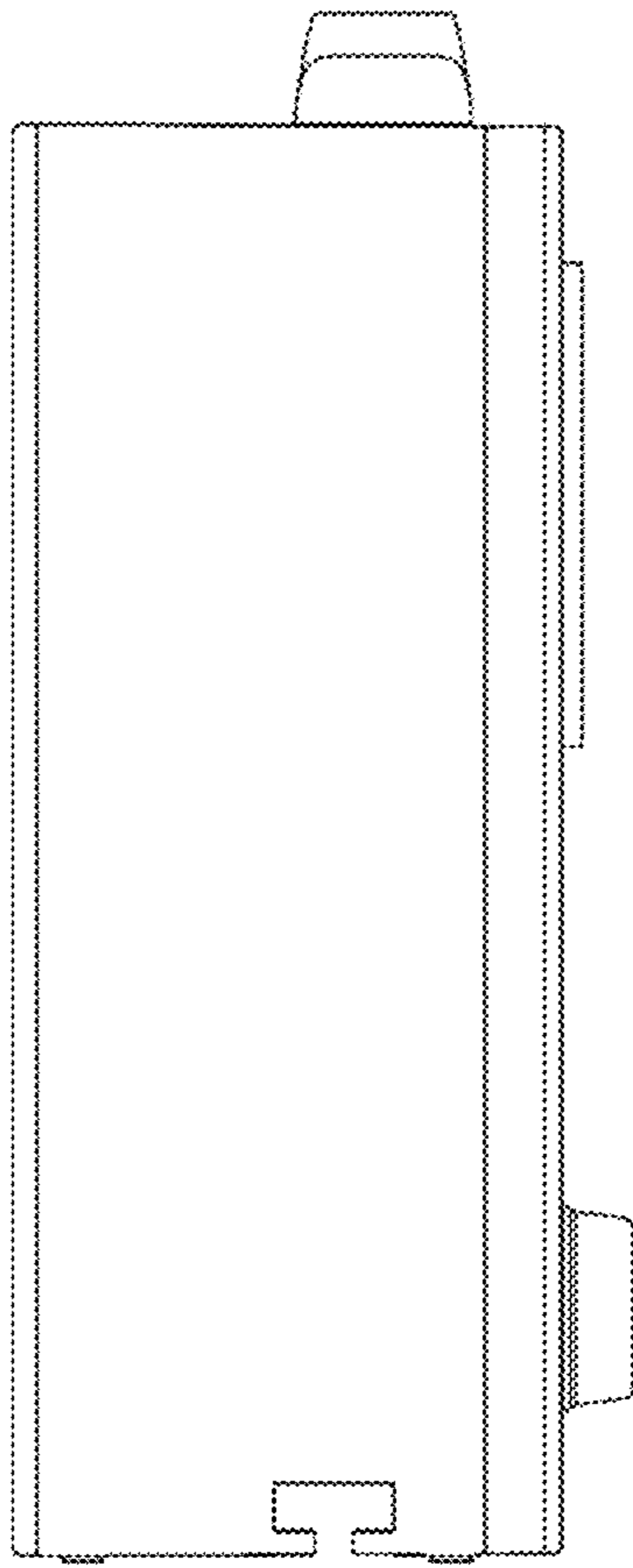


FIG. 4

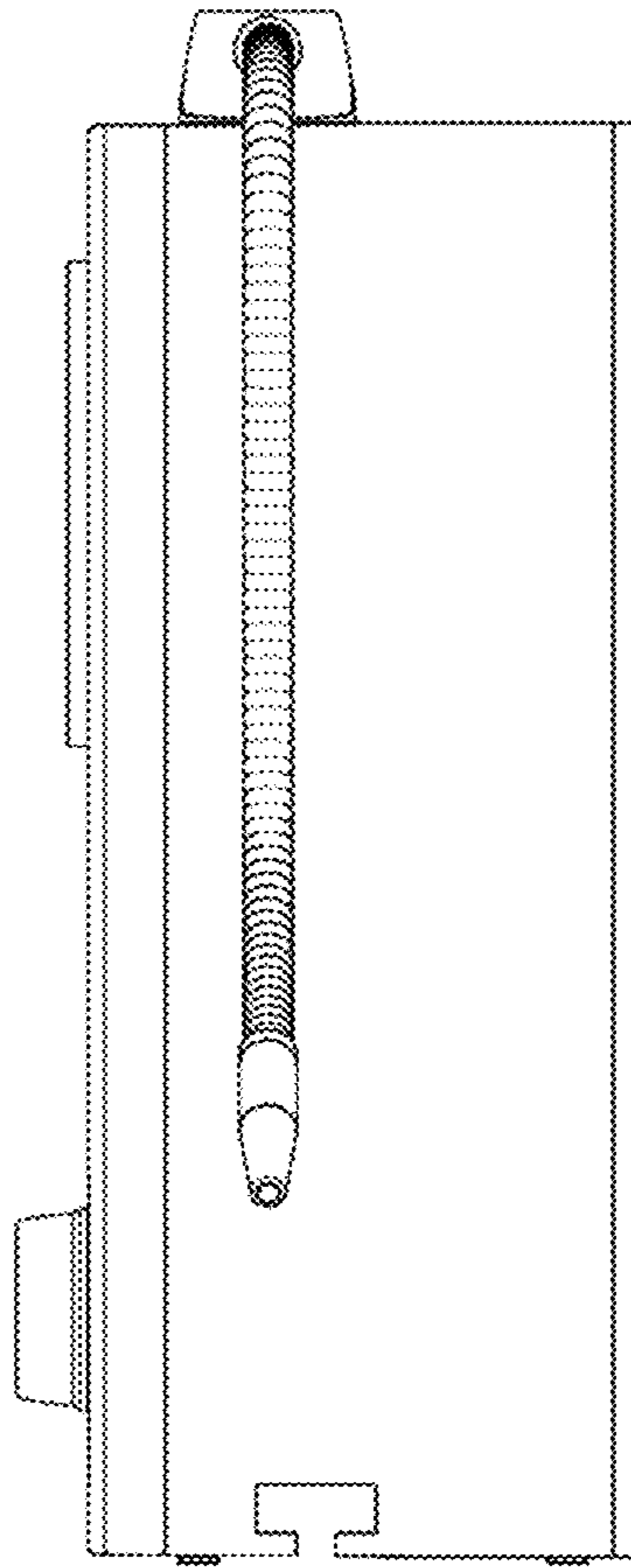


FIG. 5

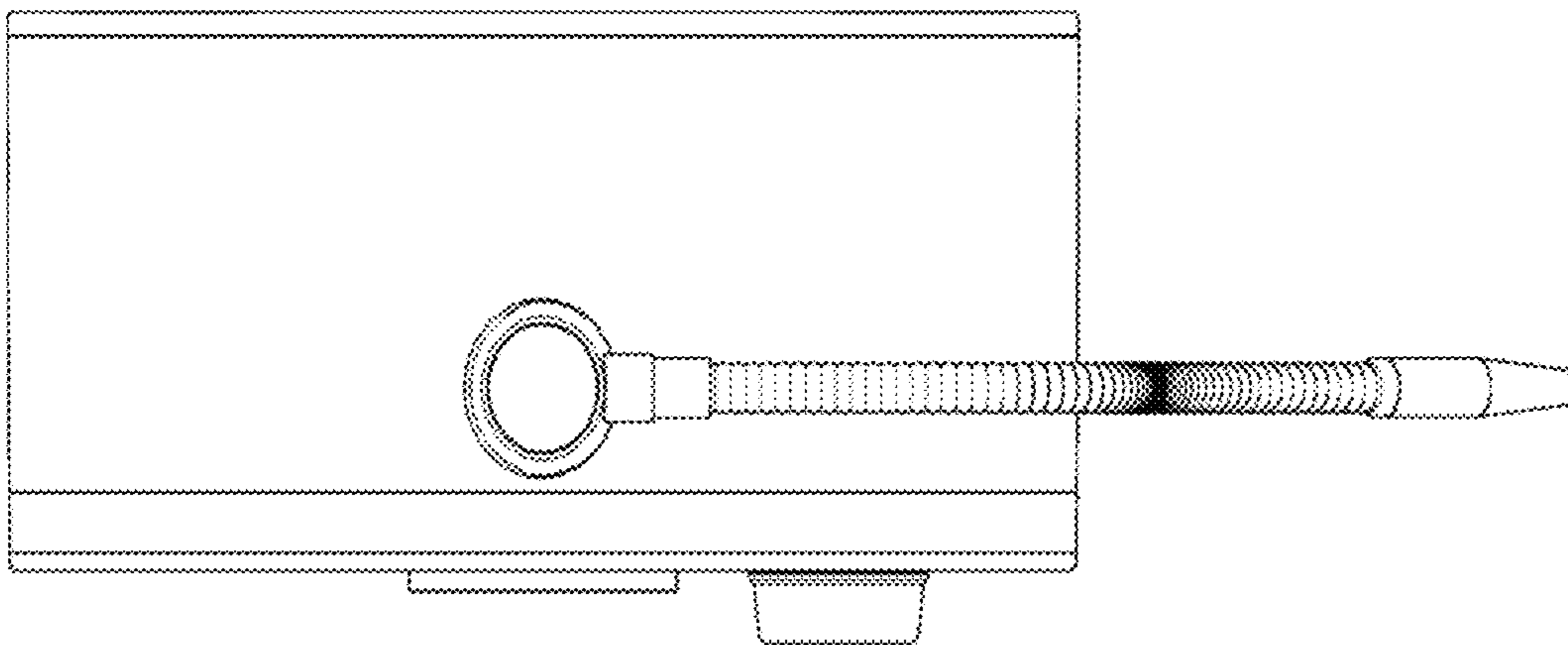


FIG. 6

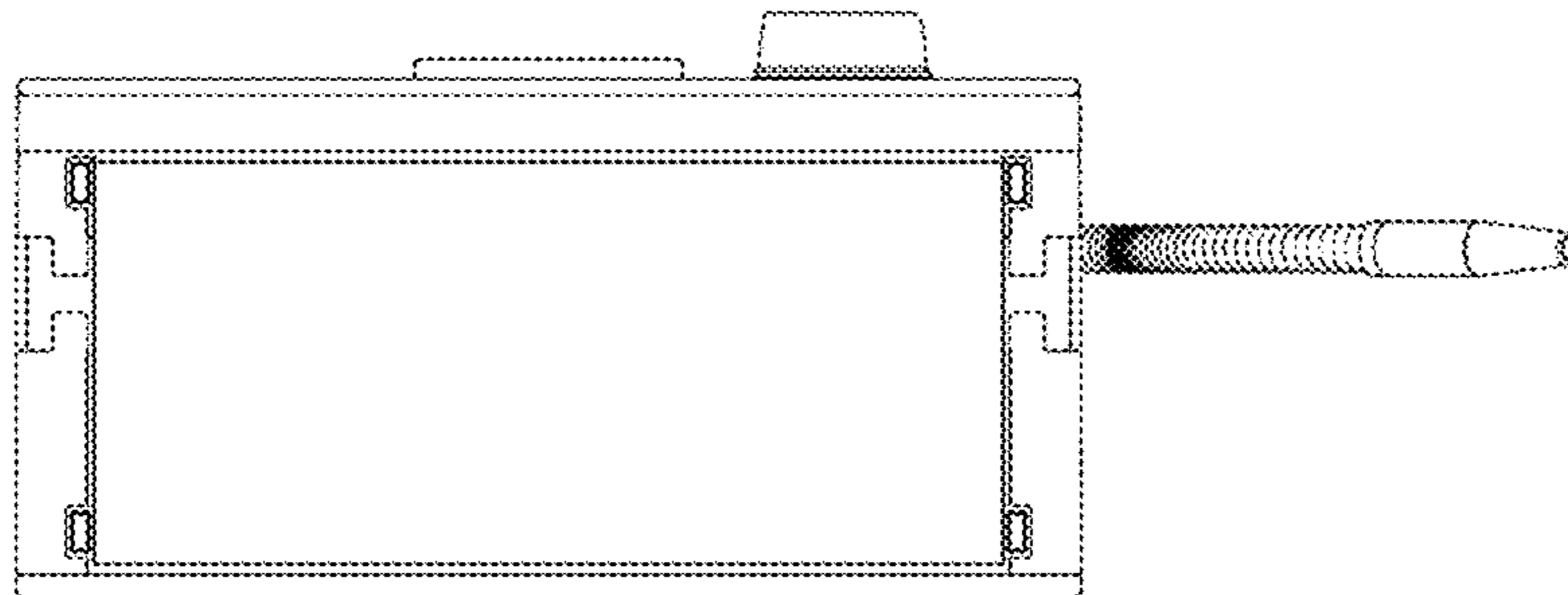


FIG. 7