



US00D789483S

(12) **United States Design Patent**  
**Koelewyn**

(10) **Patent No.:** **US D789,483 S**

(45) **Date of Patent:** **\*\* Jun. 13, 2017**

(54) **SPINNING REEL**

(71) Applicant: **W.C. Bradley/Zebco Holdings, Inc.**,  
Tulsa, OK (US)

(72) Inventor: **Robert W. Koelewyn**, Trumbull, CT  
(US)

(73) Assignee: **W.C. Bradley/Zebco Holdings, Inc.**,  
Tulsa, OK (US)

(\*\*) Term: **15 Years**

(21) Appl. No.: **29/553,122**

(22) Filed: **Jan. 28, 2016**

(51) **LOC (10) Cl.** ..... **22-05**

(52) **U.S. Cl.**  
USPC ..... **D22/141**

(58) **Field of Classification Search**  
USPC ..... D22/137-141; 242/223-224, 231, 307  
CPC ..... A01K 89/00; A01K 89/01; A01K 87/00;  
A01K 87/04; A01K 87/06; A01K 85/00;  
B29C 39/02; B29C 53/04  
See application file for complete search history.

(56) **References Cited**

**U.S. PATENT DOCUMENTS**

D321,033 S	10/1991	Robbins et al.
D321,549 S	11/1991	Robbins et al.
D324,092 S	2/1992	Baugh et al.
D374,908 S	10/1996	Koelewyn
5,740,976 A	4/1998	Zwayer
D424,657 S	5/2000	Kang et al.
D443,019 S	5/2001	Kang et al.
6,283,393 B1	9/2001	Kang
6,502,775 B1	1/2003	Neufeld
6,769,639 B2	8/2004	Koelewyn et al.
6,966,516 B2	11/2005	Koelewyn et al.

7,222,809 B1	5/2007	Neufeld et al.	
7,222,810 B1	5/2007	Littau et al.	
7,681,821 B2	3/2010	Wilson et al.	
D654,554 S	2/2012	McCune et al.	
D655,370 S	3/2012	McCune	
D663,007 S *	7/2012	Koelewyn	D22/141
D776,232 S *	1/2017	Shimizu	D22/141
D776,785 S *	1/2017	Nagai	D22/141

\* cited by examiner

*Primary Examiner* — Catheri Oliver-Garcia

(74) *Attorney, Agent, or Firm* — Gable Gotwals

(57) **CLAIM**

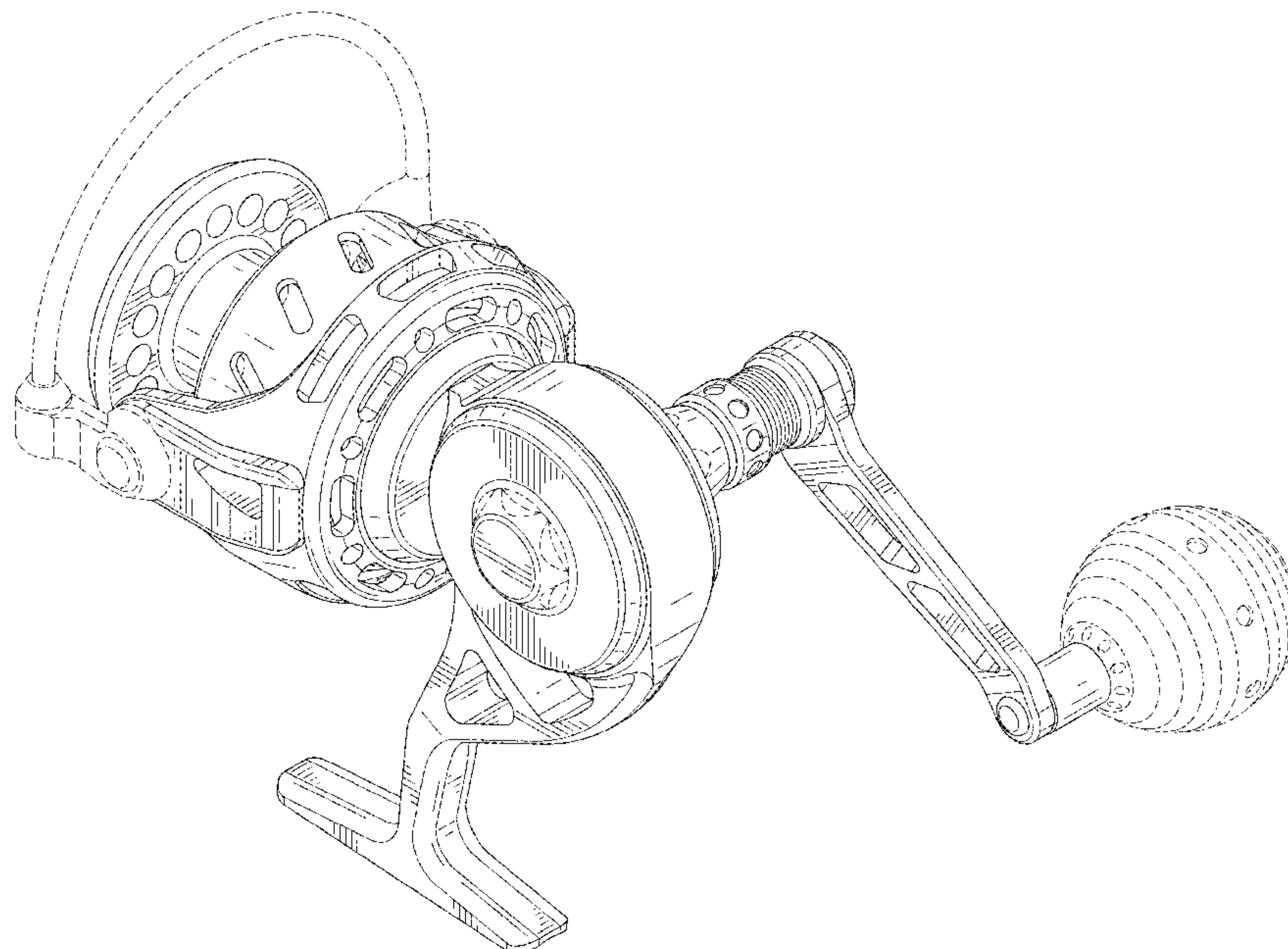
The ornamental design for a spinning reel, as shown and described.

**DESCRIPTION**

FIG. 1 is a first perspective view of a spinning reel of the invention;  
 FIG. 2 is a rear elevation view of the spinning reel of FIG. 1;  
 FIG. 3 is a front elevation view of the spinning reel of FIG. 1;  
 FIG. 4 is a first side elevation view of the spinning reel of FIG. 1;  
 FIG. 5 is a second side elevation view of the spinning reel of FIG. 1;  
 FIG. 6 is a top plan view of the spinning reel of FIG. 1;  
 FIG. 7 is a bottom plan view of the spinning reel of FIG. 1;  
 and,  
 FIG. 8 is a second perspective view of the spinning reel of FIG. 1.

The broken lines in the Figures are for the purpose of illustrating the environment in which the design is associated and form no part of the claimed design.

**1 Claim, 8 Drawing Sheets**



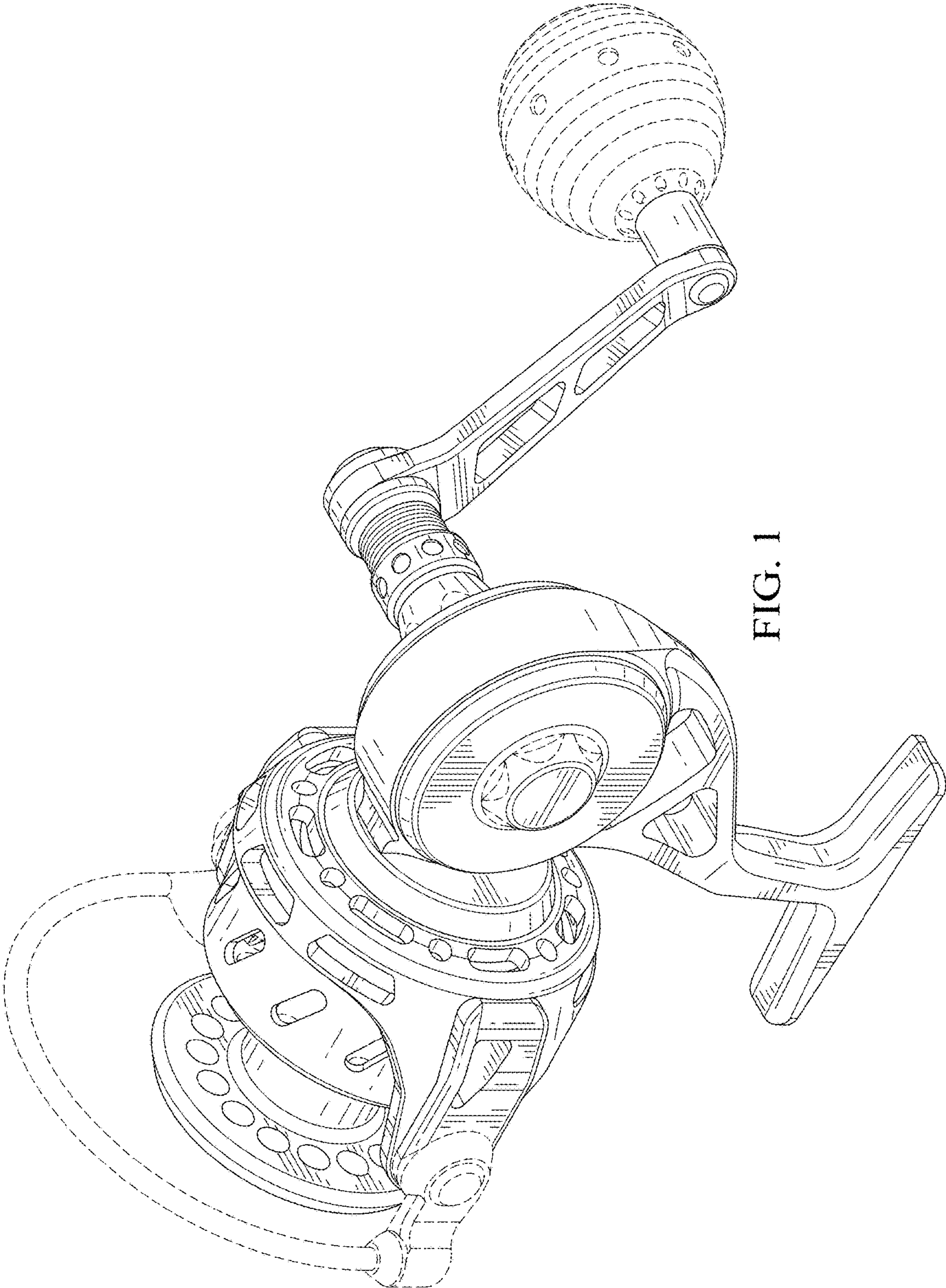


FIG. 1

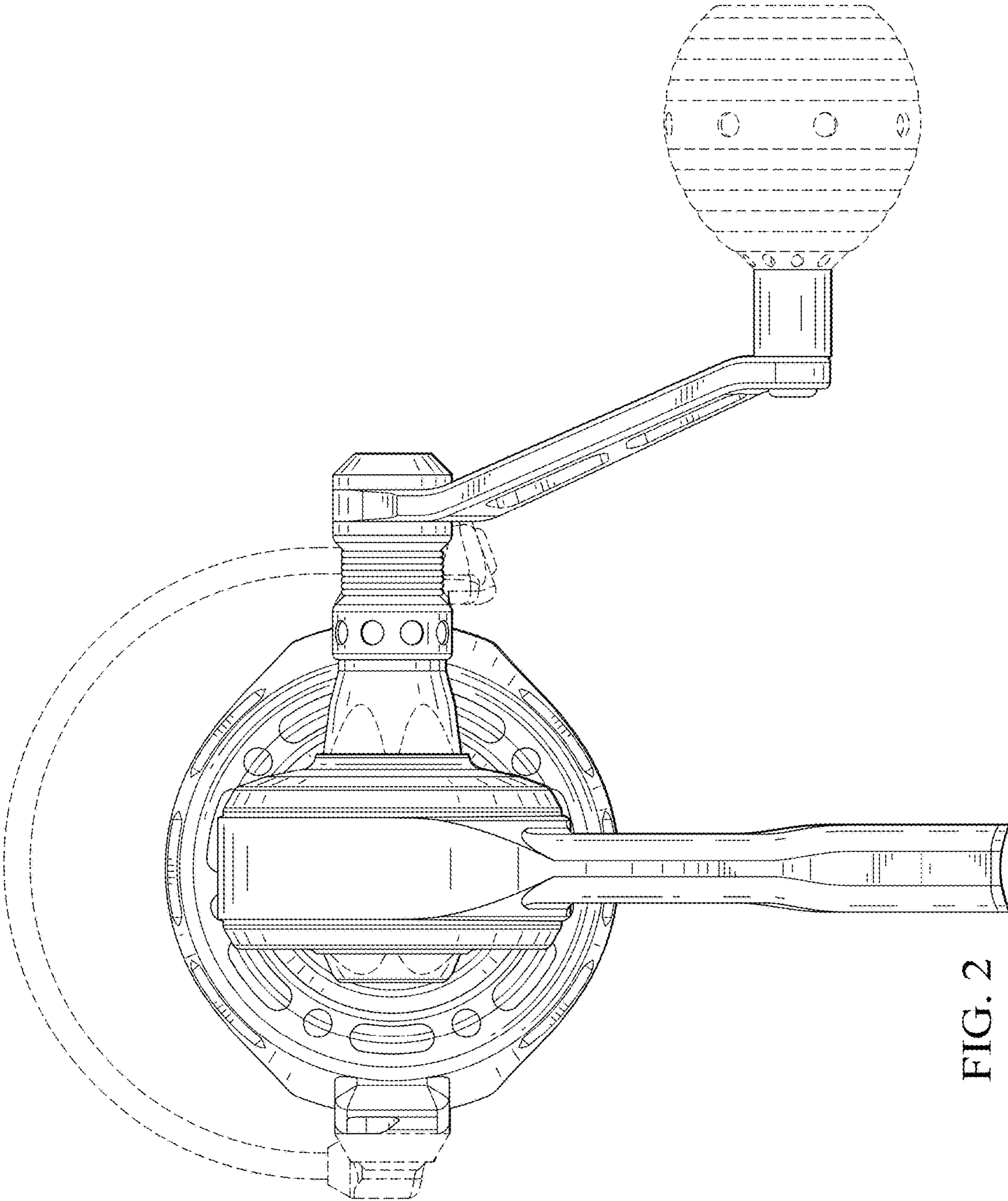


FIG. 2



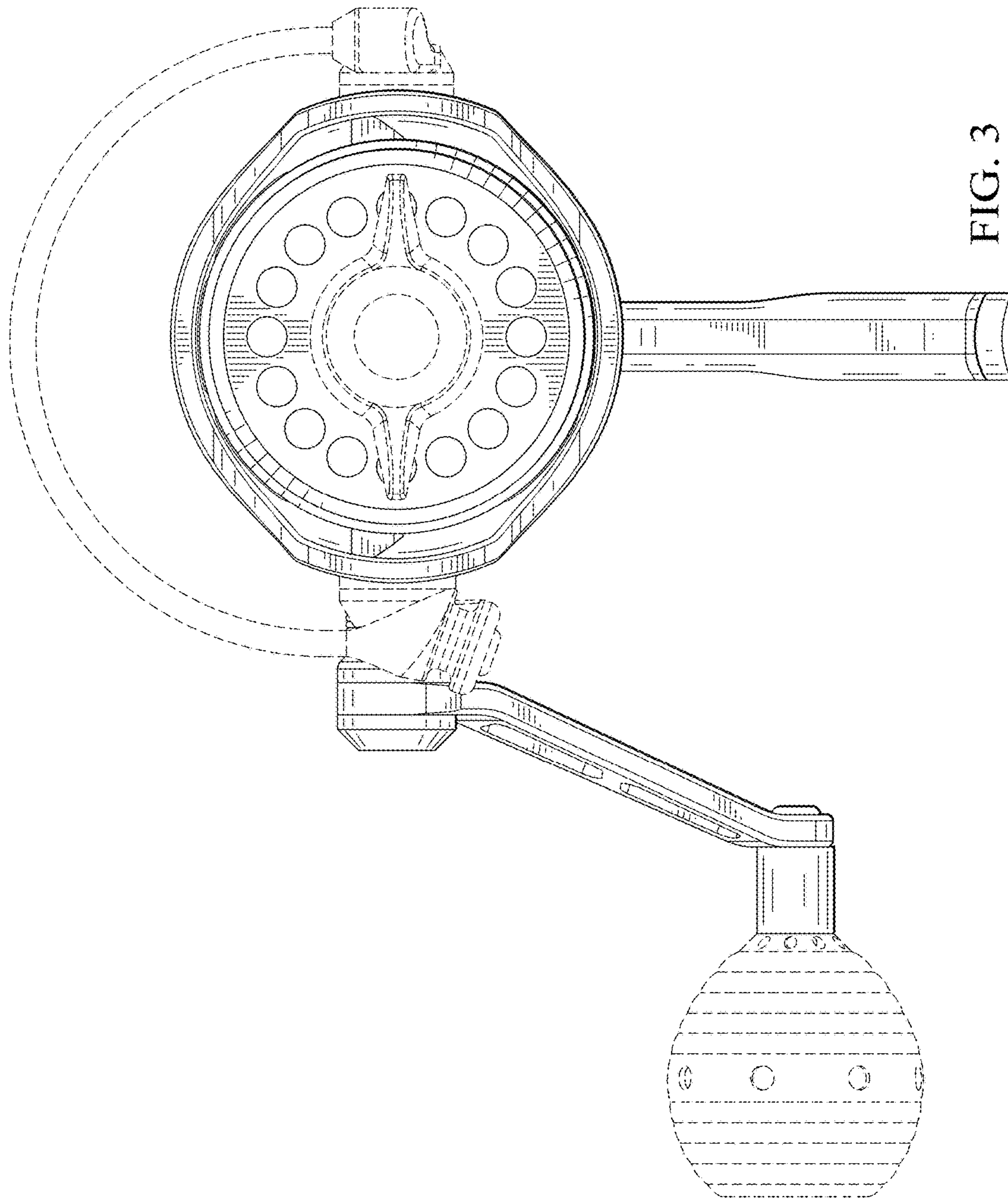


FIG. 3

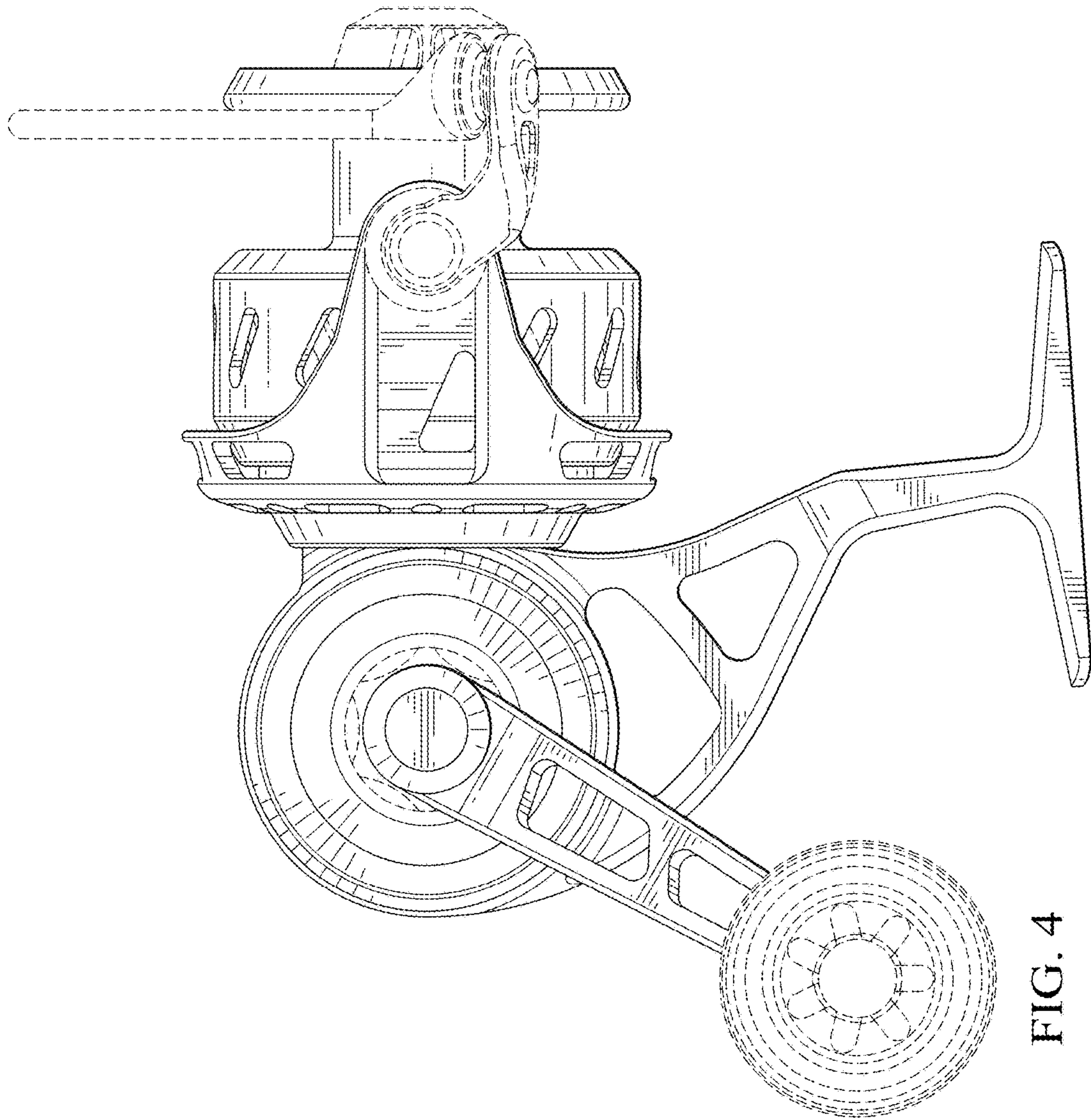


FIG. 4

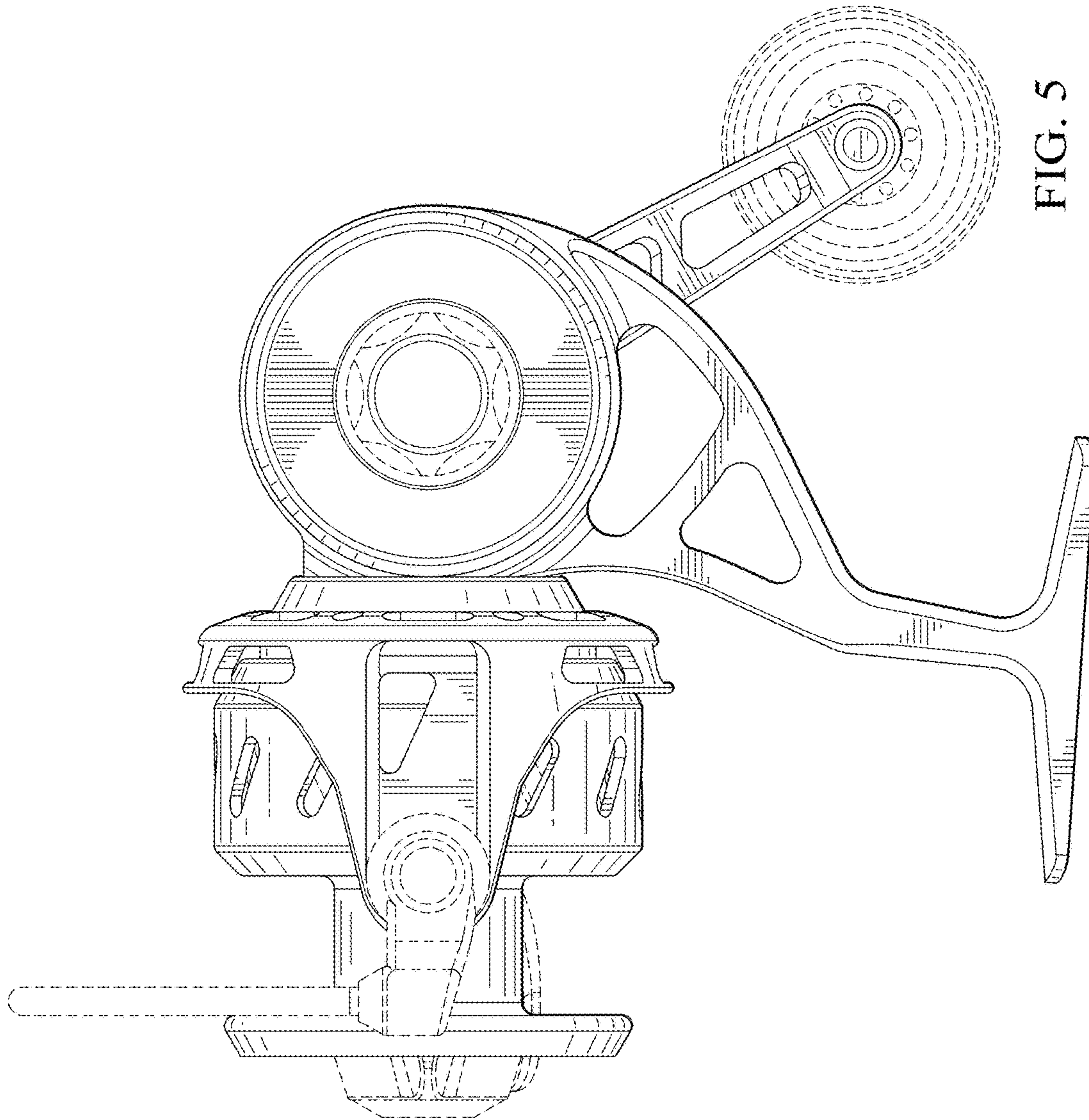


FIG. 5

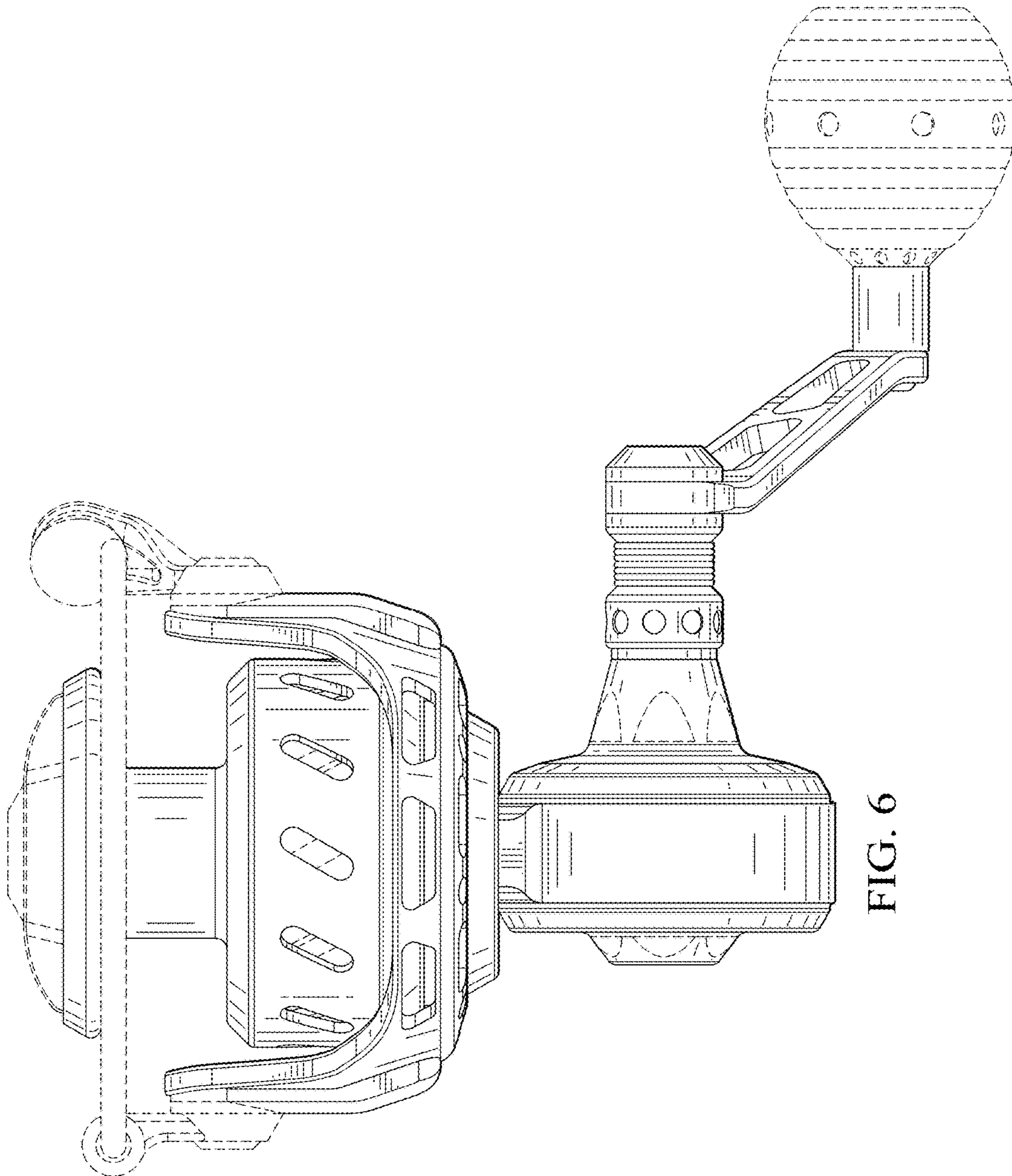


FIG. 6



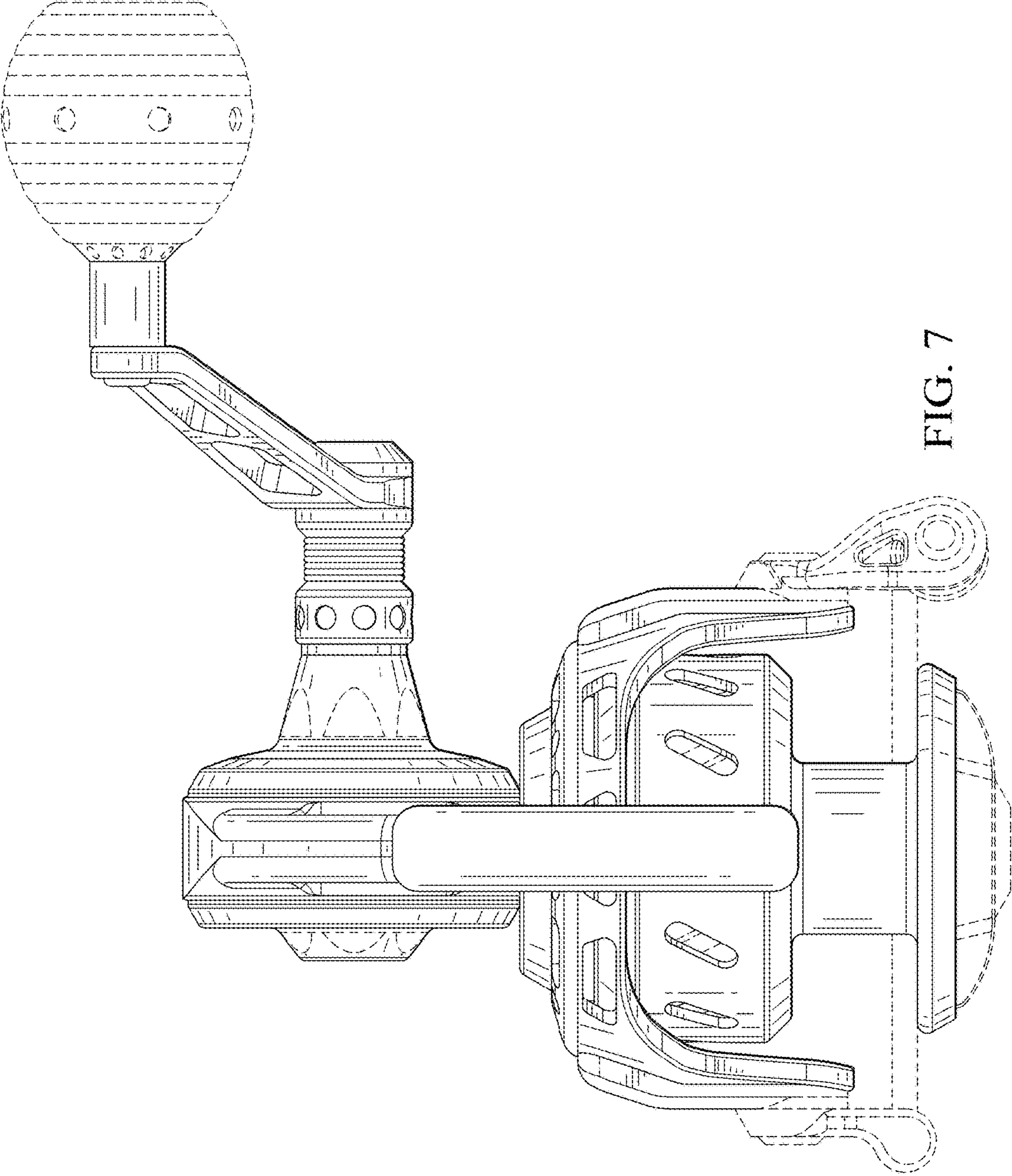


FIG. 7



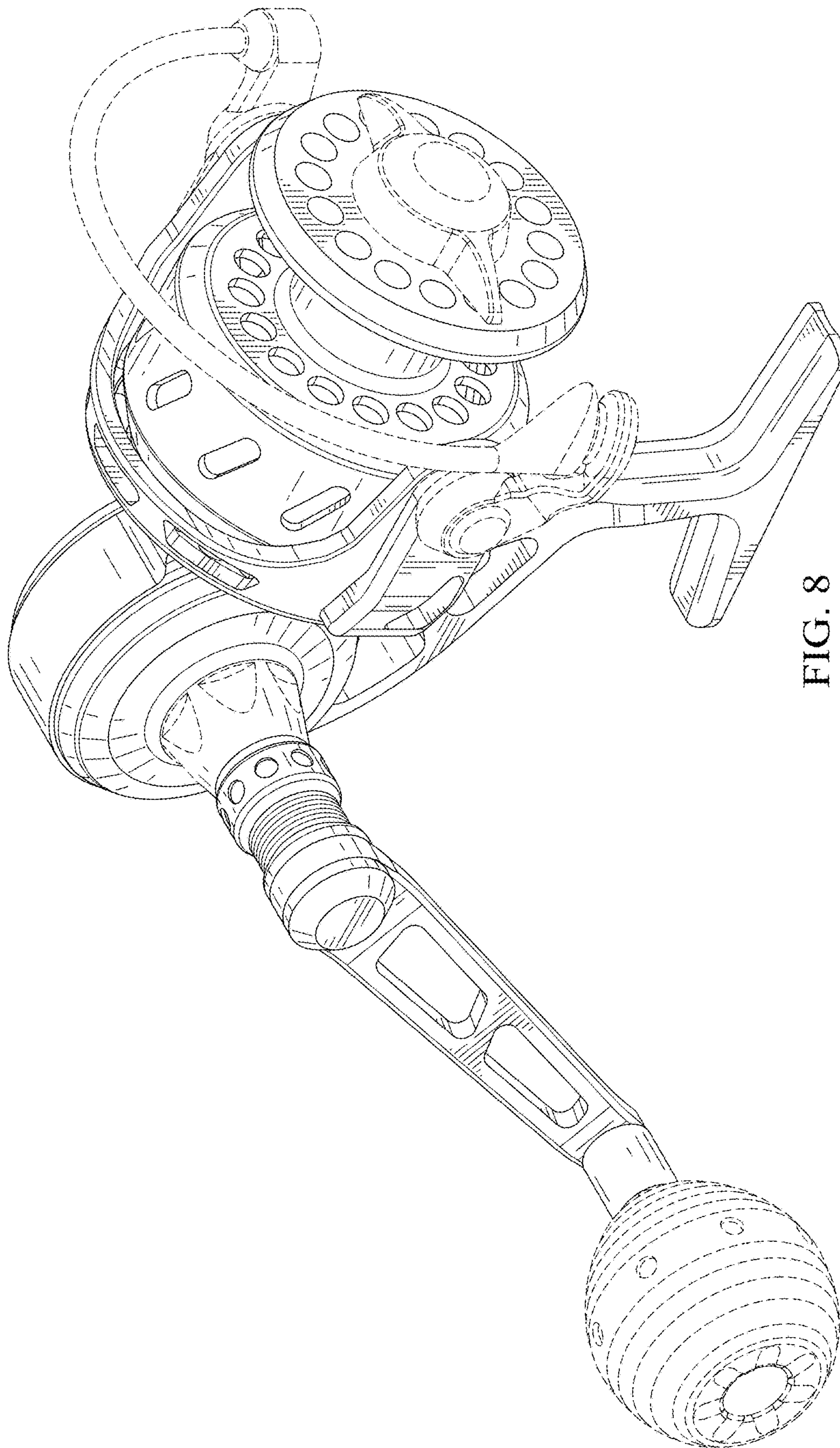


FIG. 8