



US00D789481S

(12) **United States Design Patent**
Rubel

(10) **Patent No.:** **US D789,481 S**
(45) **Date of Patent:** **** Jun. 13, 2017**

(54) **INSECT TRAP**

(71) Applicant: **Eric Rubel**, Westfield, NJ (US)

(72) Inventor: **Eric Rubel**, Westfield, NJ (US)

(73) Assignee: **PIC Corporation**, Linden, NJ (US)

(**) Term: **15 Years**

(21) Appl. No.: **29/550,794**

(22) Filed: **Jan. 7, 2016**

(51) **LOC (10) Cl.** **22-06**

(52) **U.S. Cl.**
USPC **D22/122**

(58) **Field of Classification Search**
USPC D22/119–124; 43/107, 109, 112–115,
43/121–122, 124, 131, 132.1; D7/518,
D7/606, 608, 613; D9/644–645
CPC A01M 1/02; A01M 1/14; A01M 2200/012
See application file for complete search history.

(56) **References Cited**

U.S. PATENT DOCUMENTS

D301,364 S *	5/1989	Hunter	D22/122
D565,145 S *	3/2008	Studer	D22/122
D650,882 S *	12/2011	wi Toslawski	D22/122
D650,883 S *	12/2011	wi Toslawski	D22/122
D714,416 S *	9/2014	Sehl	D22/122

* cited by examiner

Primary Examiner — Catheri Oliver-Garcia

(74) *Attorney, Agent, or Firm* — Ostrolenk Faber LLP

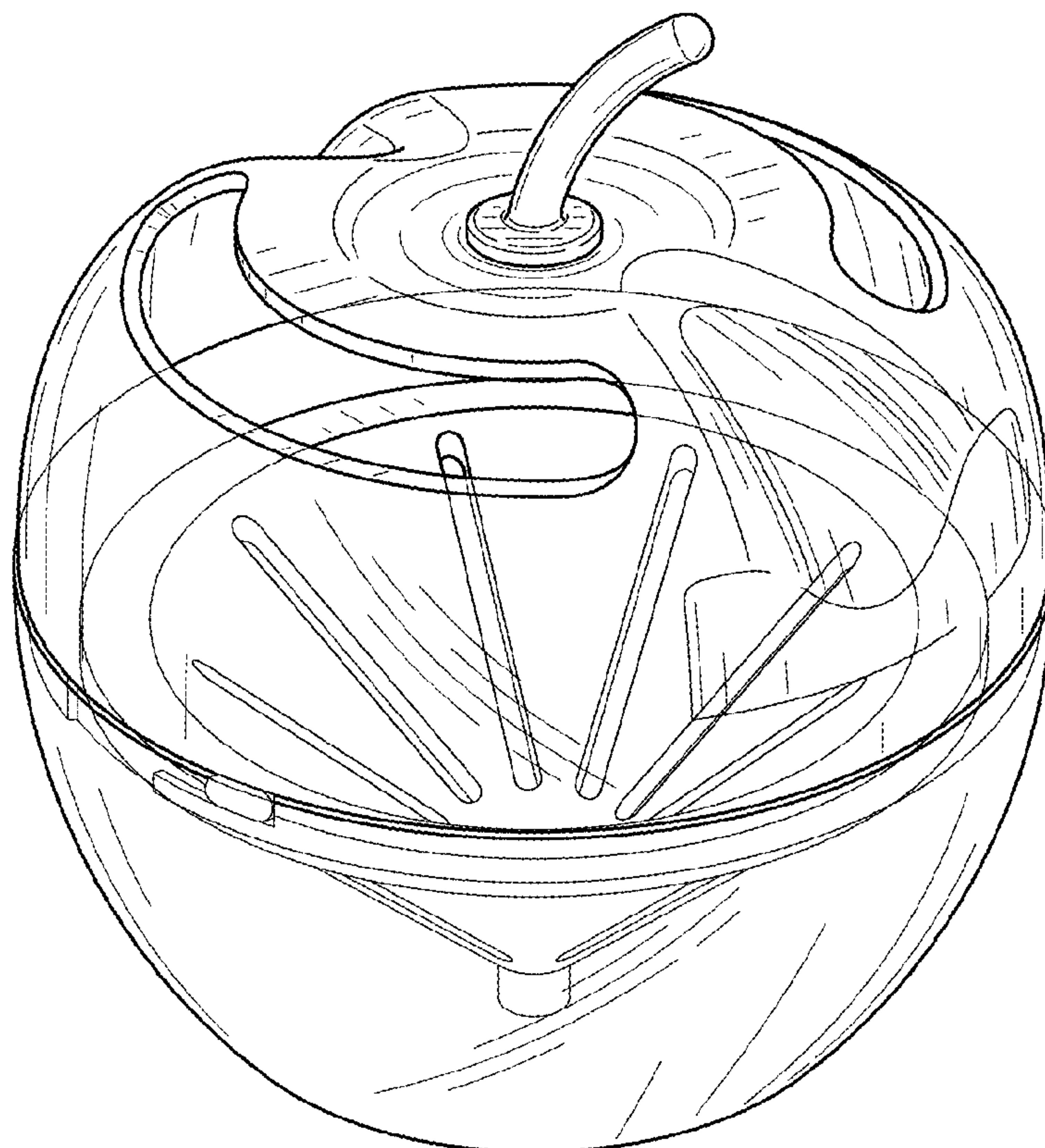
(57) **CLAIM**

The ornamental design for the insect trap, as shown and described.

DESCRIPTION

FIG. 1 is a front and side perspective view of an insect trap showing my new design;
 FIG. 2 is a front view thereof;
 FIG. 3 is a rear view thereof;
 FIG. 4 is a side view thereof;
 FIG. 5 is an opposite side view thereof;
 FIG. 6 is a top view thereof;
 FIG. 7 is a bottom view thereof;
 FIG. 8 is an exploded view thereof;
 FIG. 9 is a front and side perspective view of another embodiment of an insect trap showing my new design;
 FIG. 10 is a front view thereof;
 FIG. 11 is a rear view thereof;
 FIG. 12 is a side view thereof;
 FIG. 13 is an opposite side view thereof;
 FIG. 14 is a top view thereof;
 FIG. 15 is a bottom view thereof; and,
 FIG. 16 is an exploded view thereof.

1 Claim, 10 Drawing Sheets



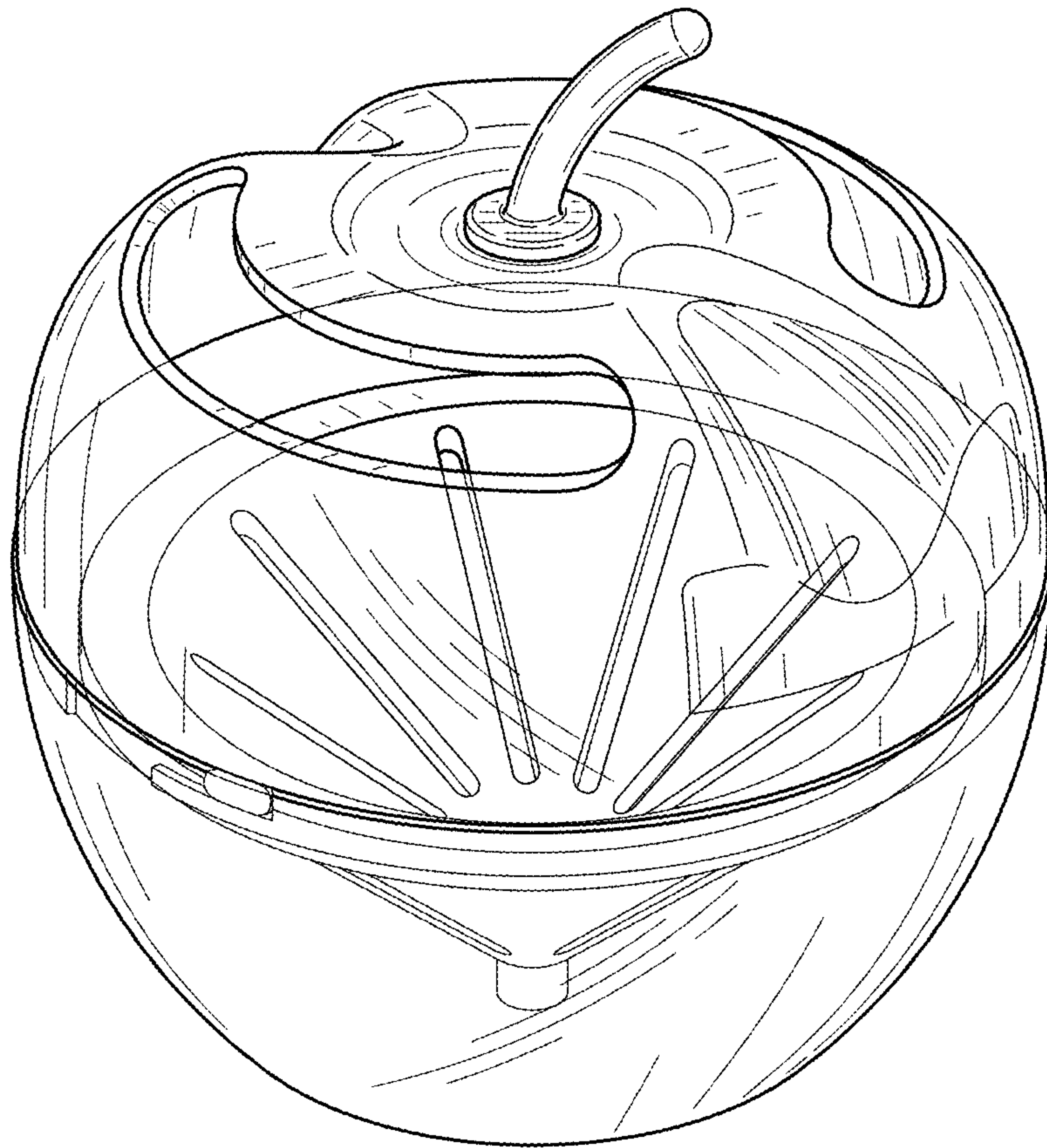


FIG. 1

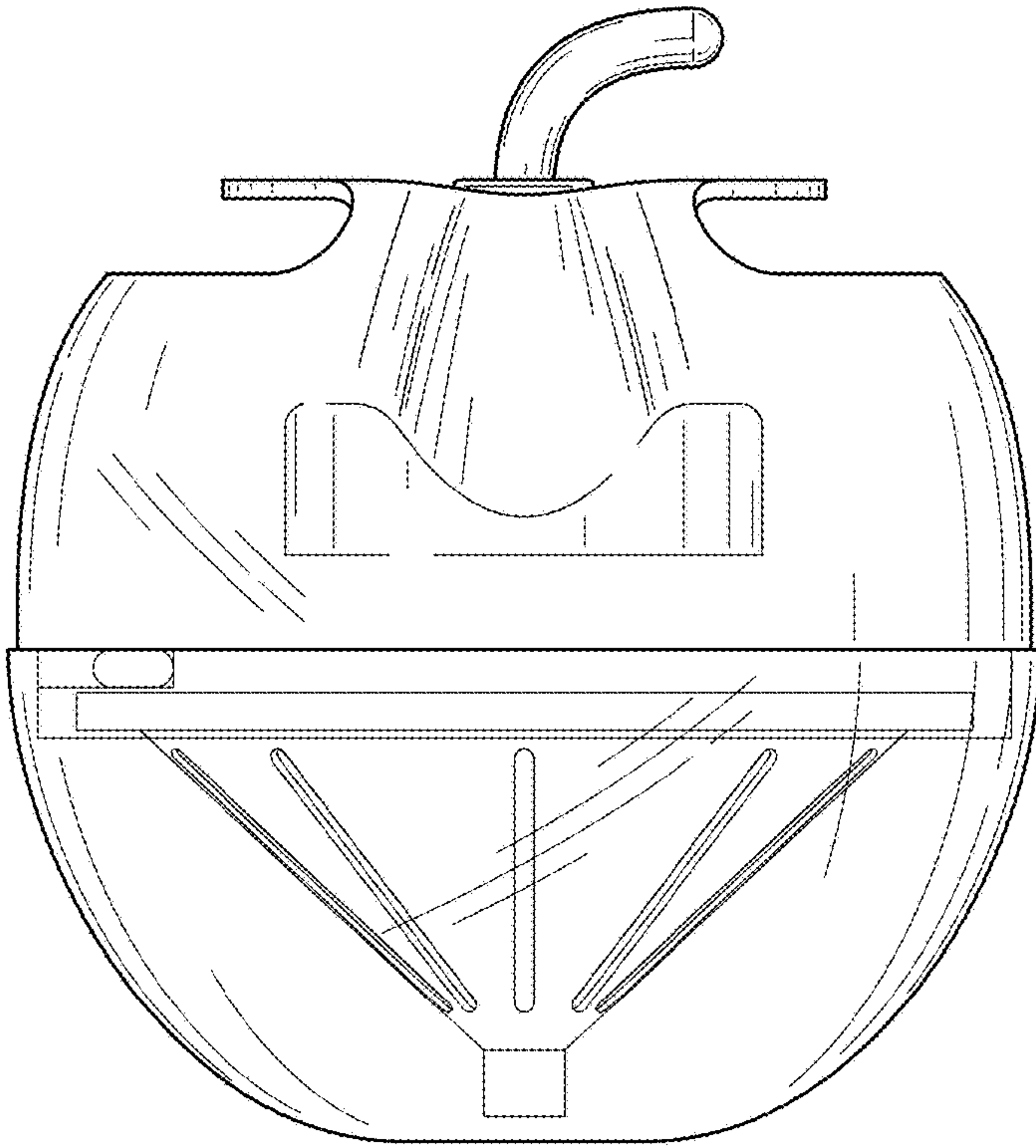


FIG. 2

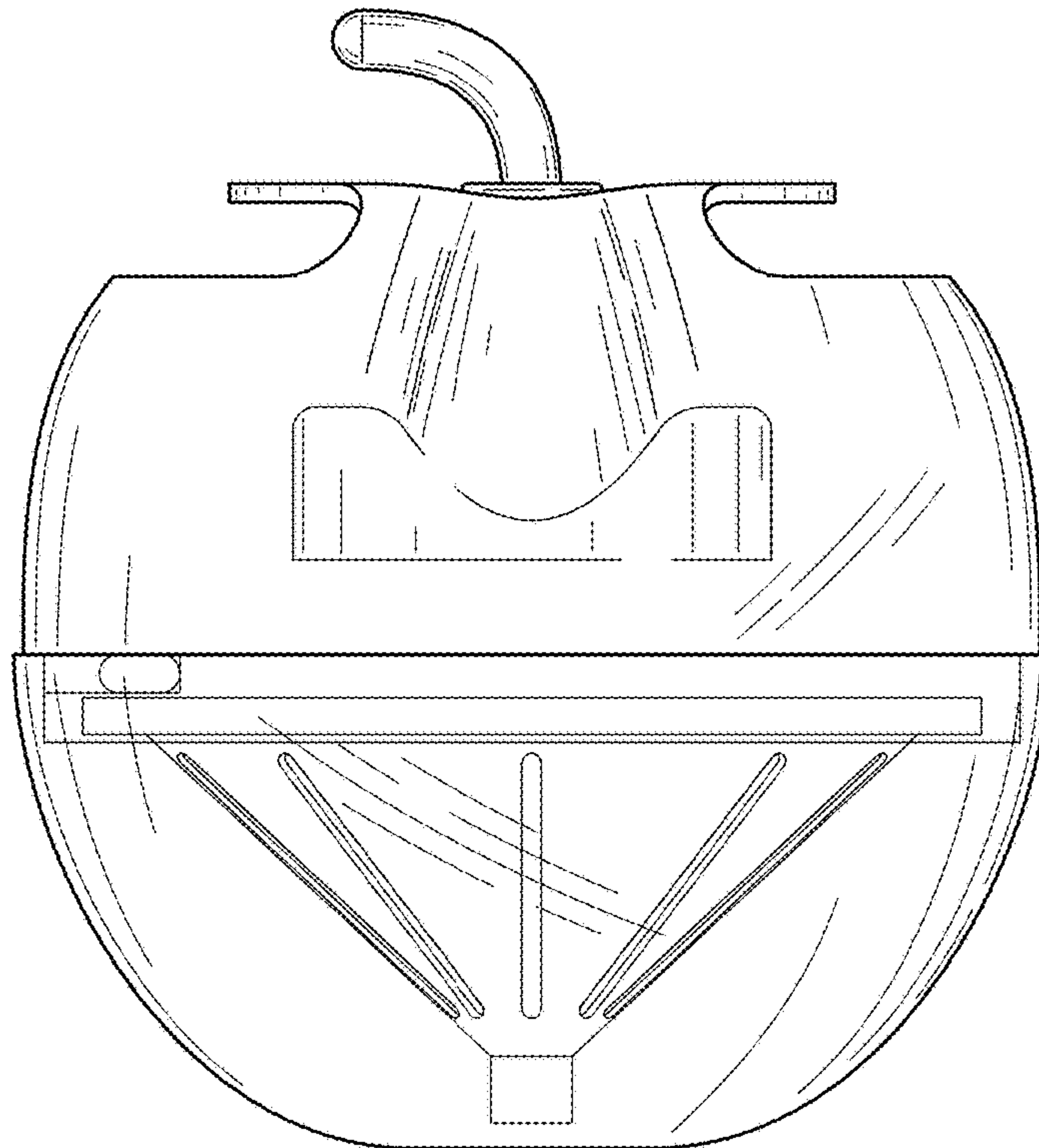


FIG. 3

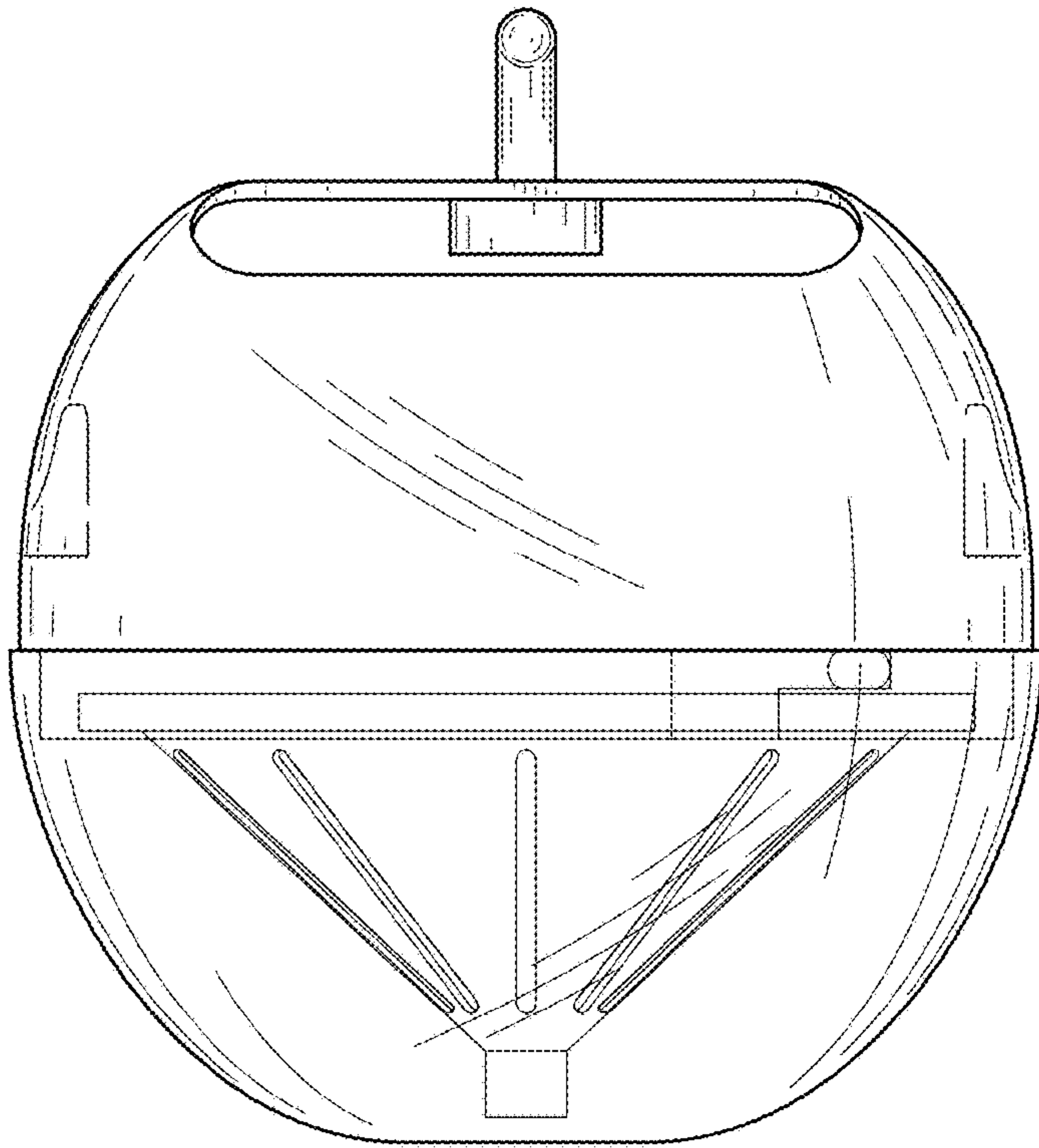


FIG. 4

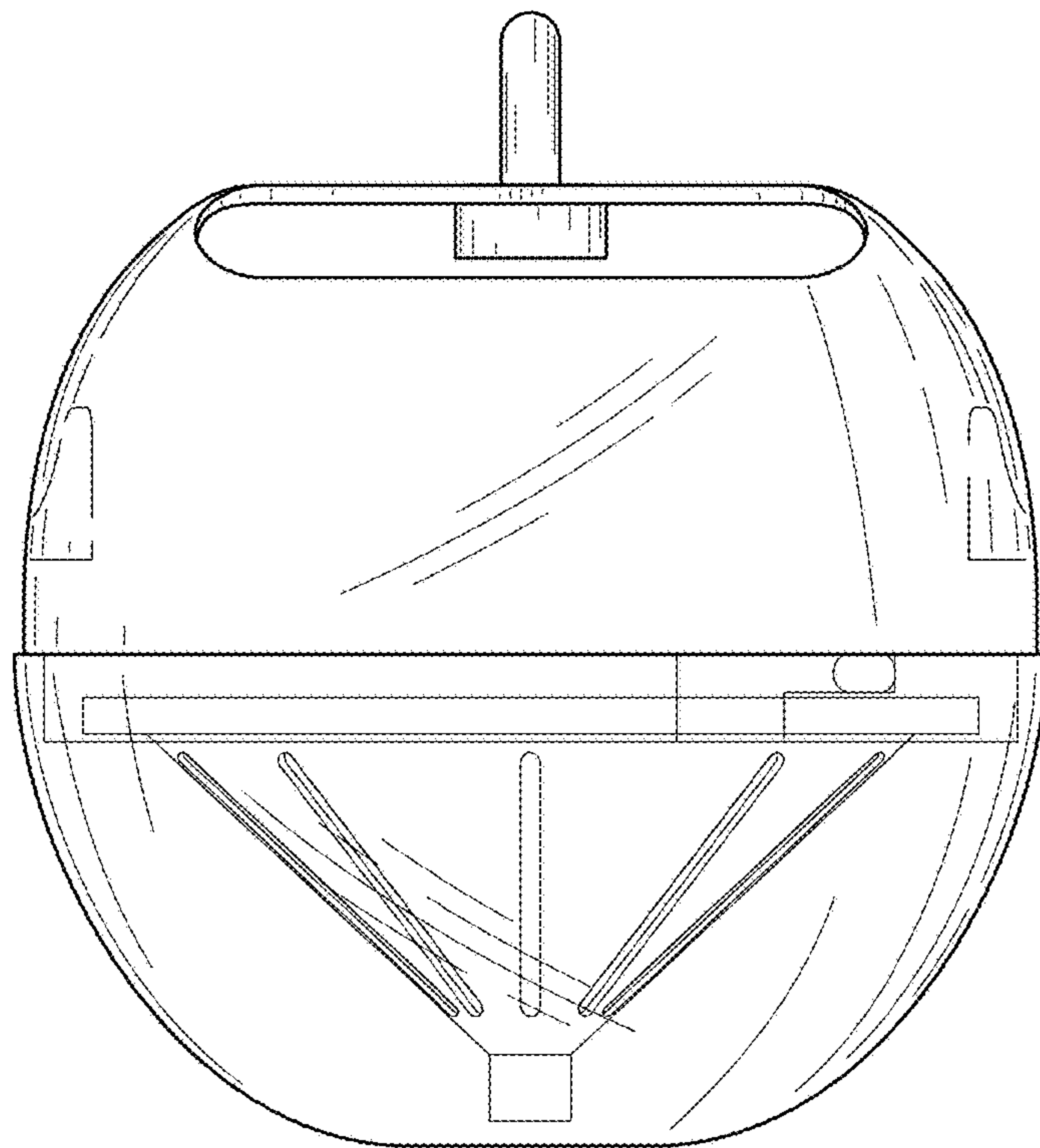


FIG. 5

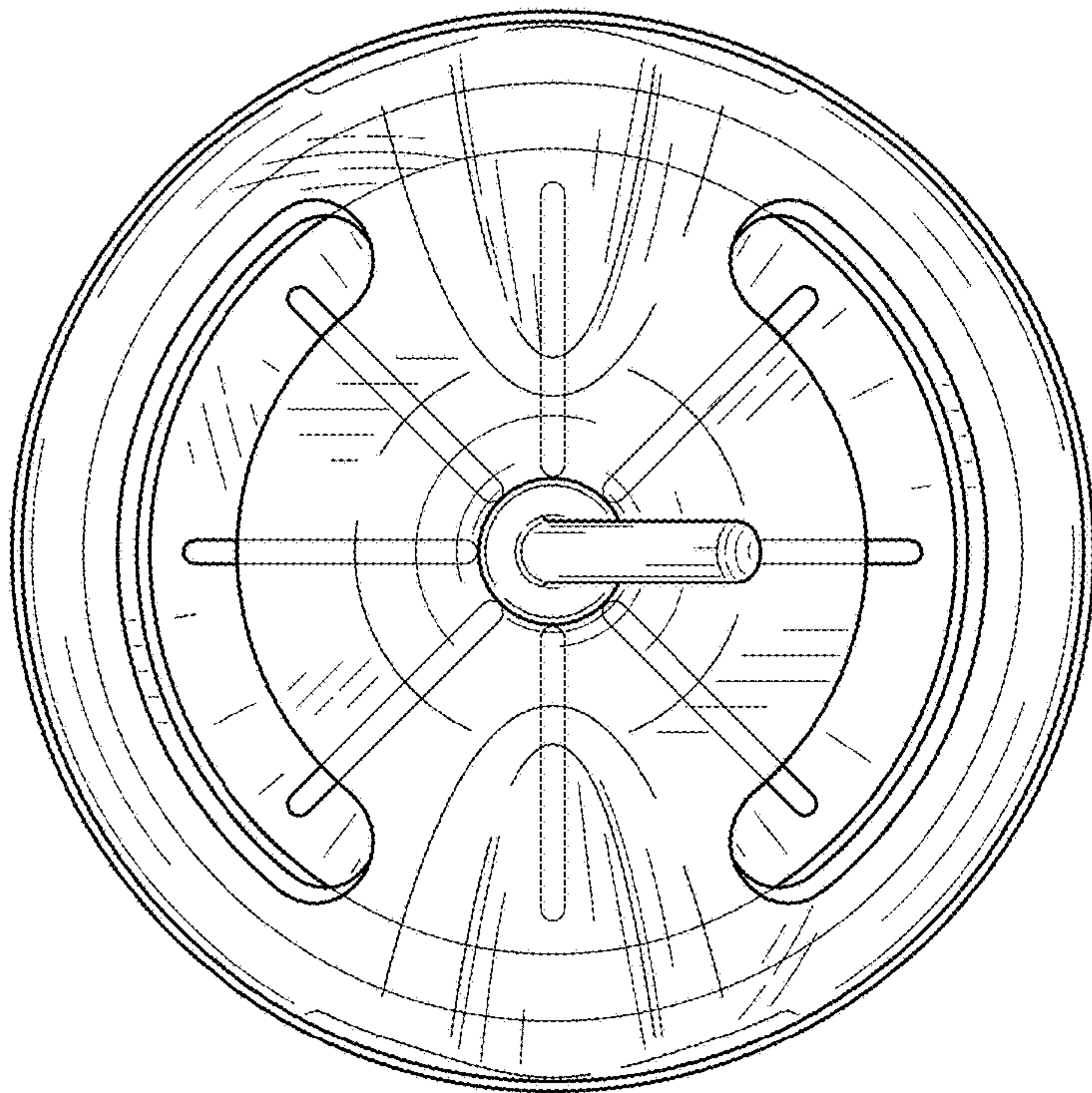


FIG. 6

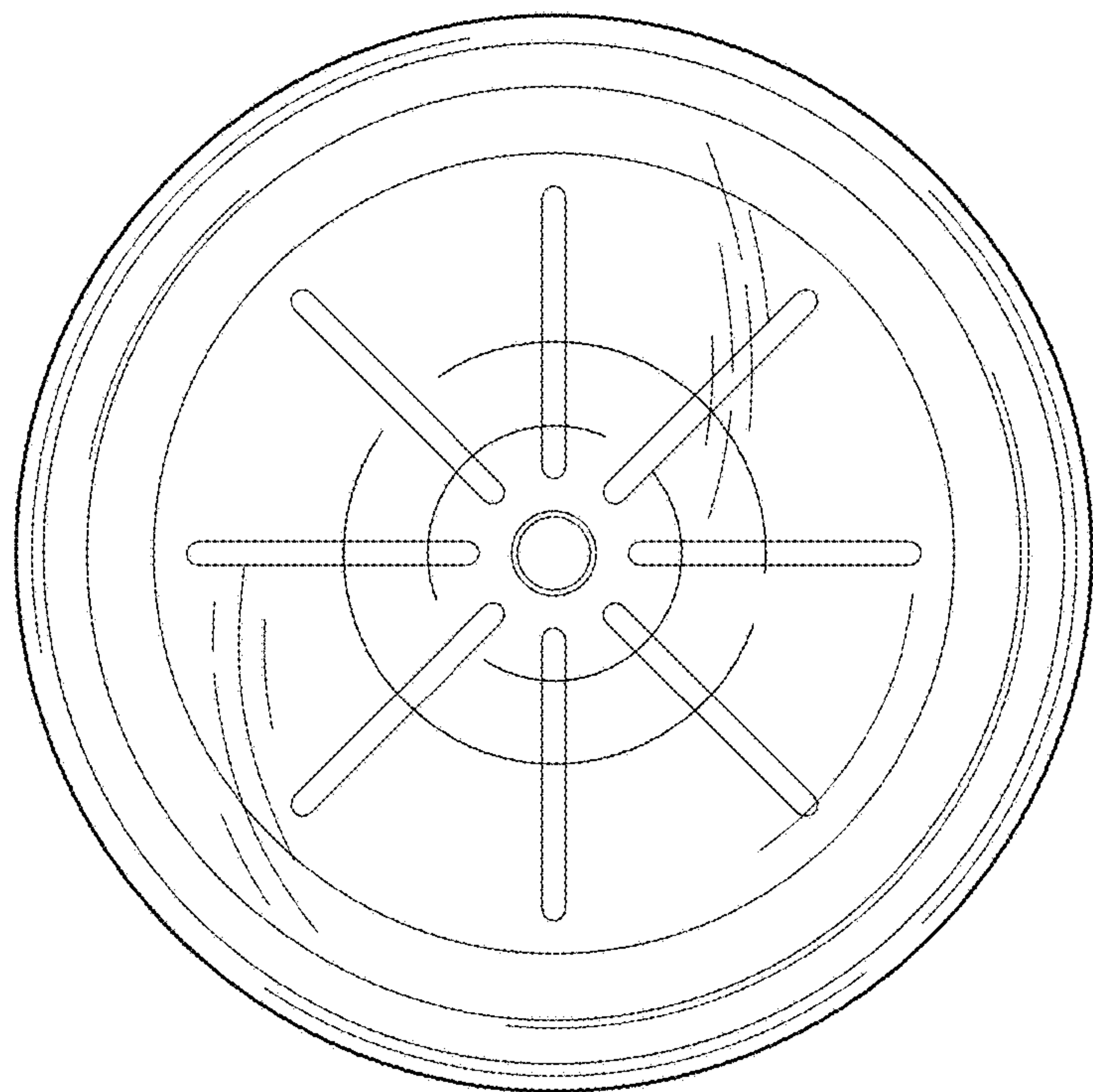


FIG. 7

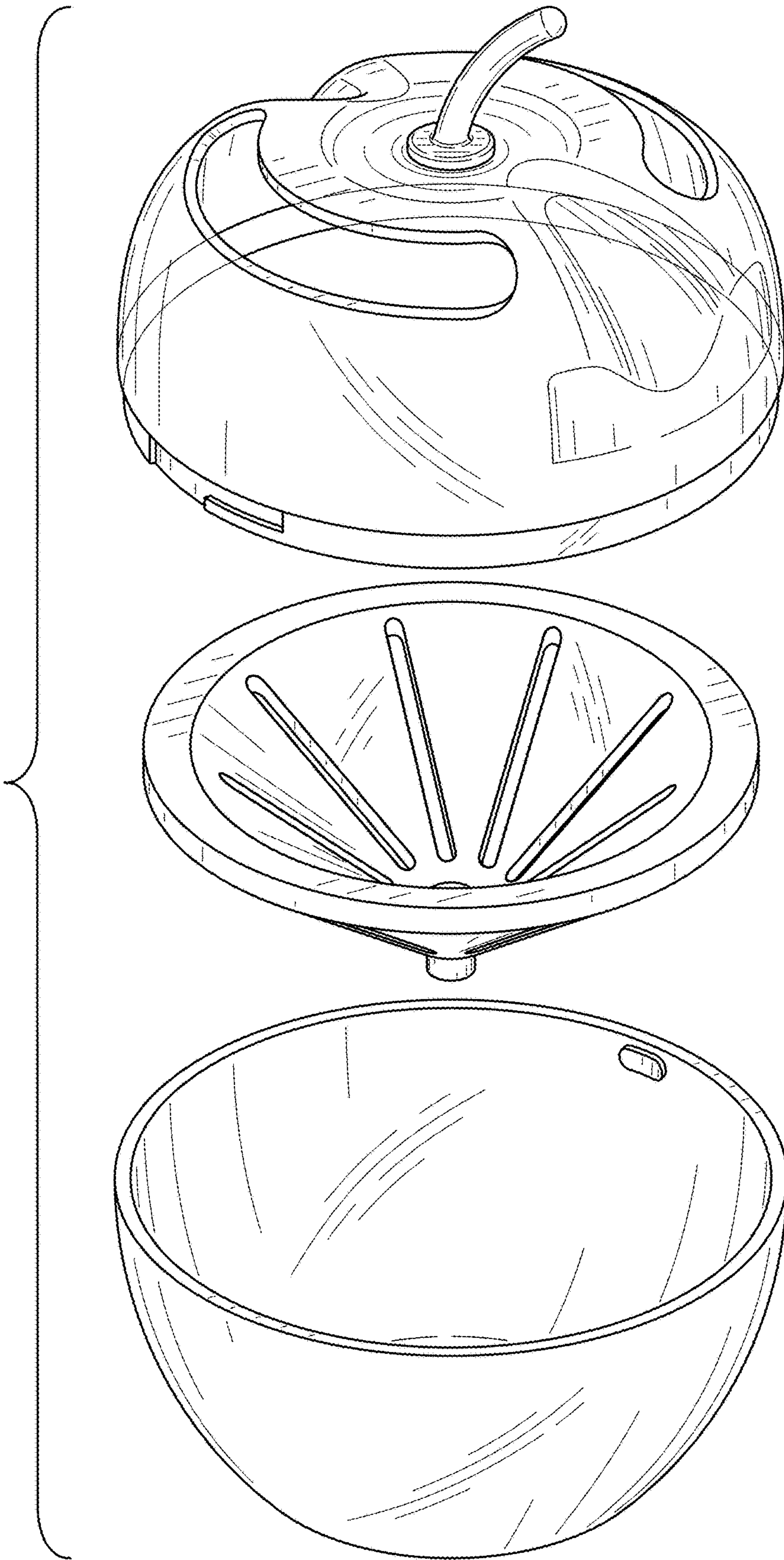


FIG. 8

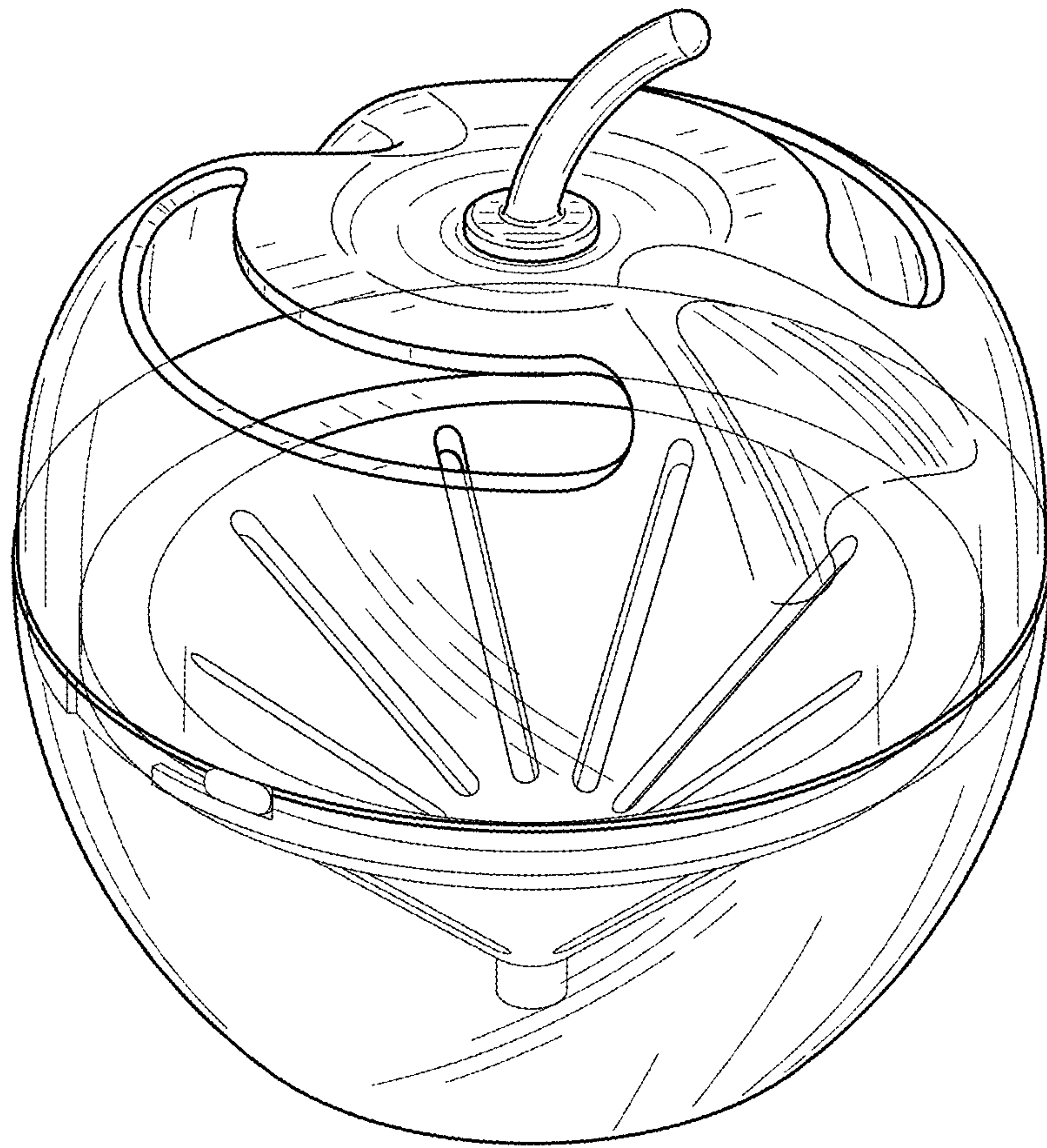


FIG. 9

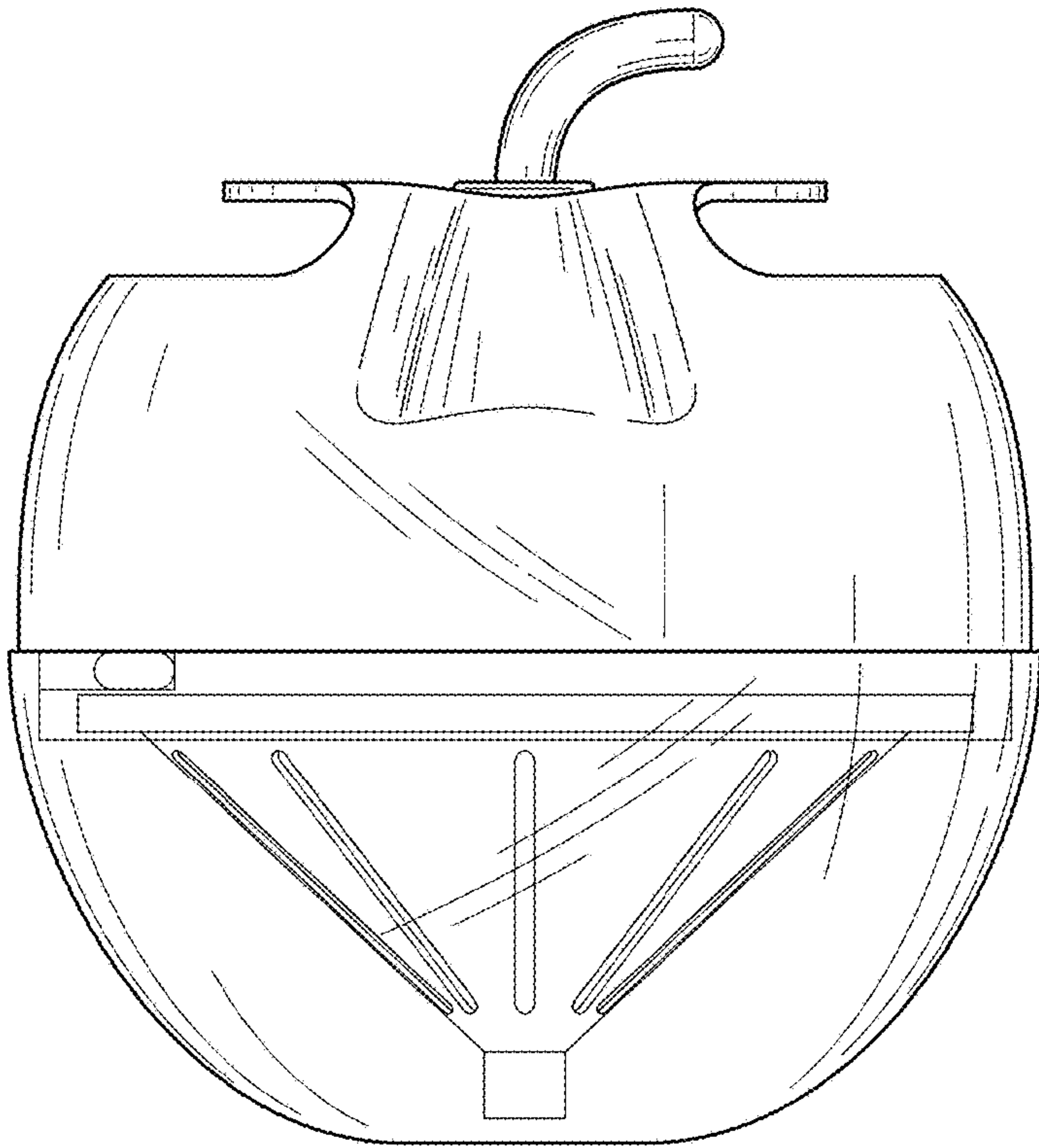


FIG. 10

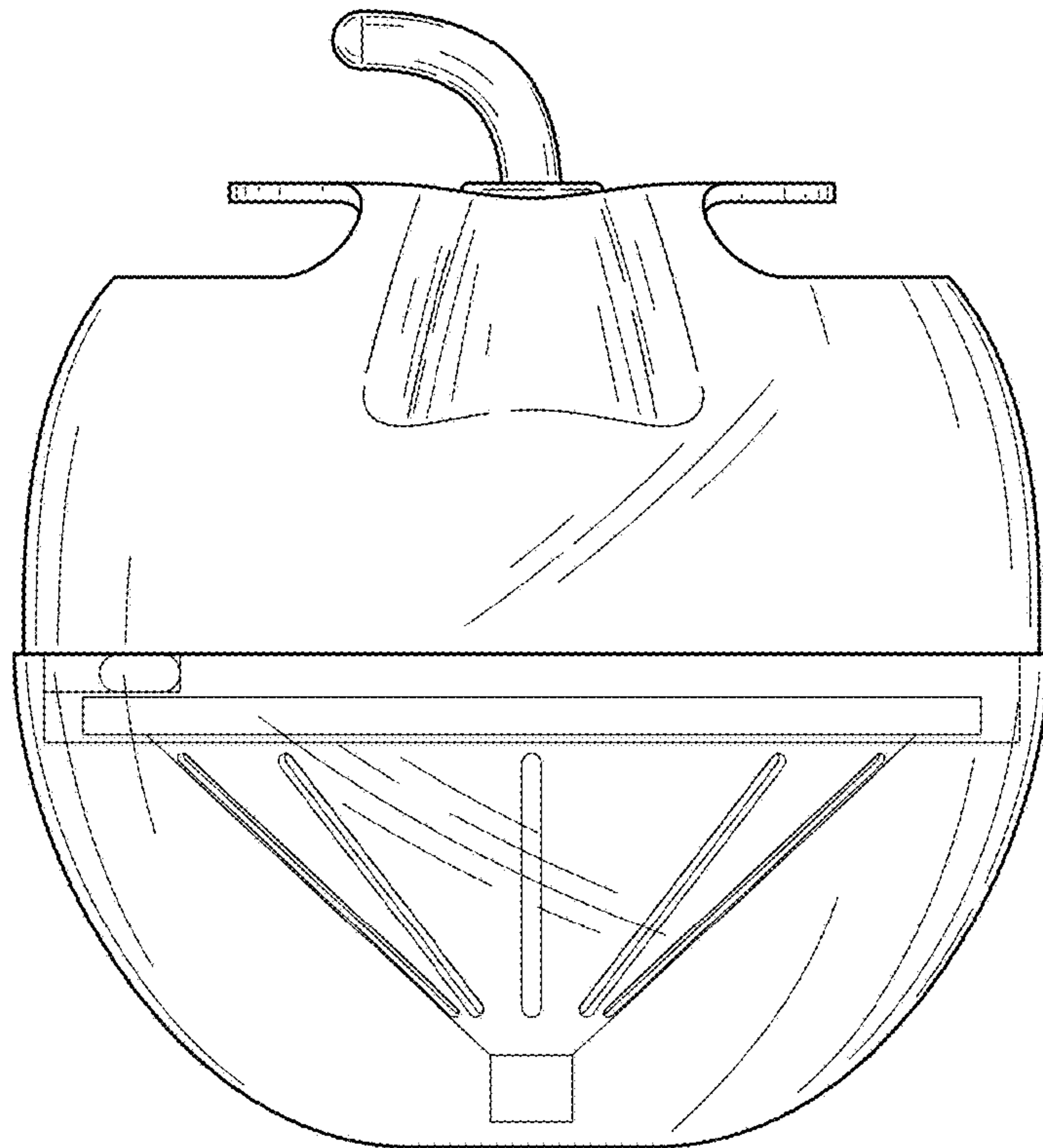


FIG. 11

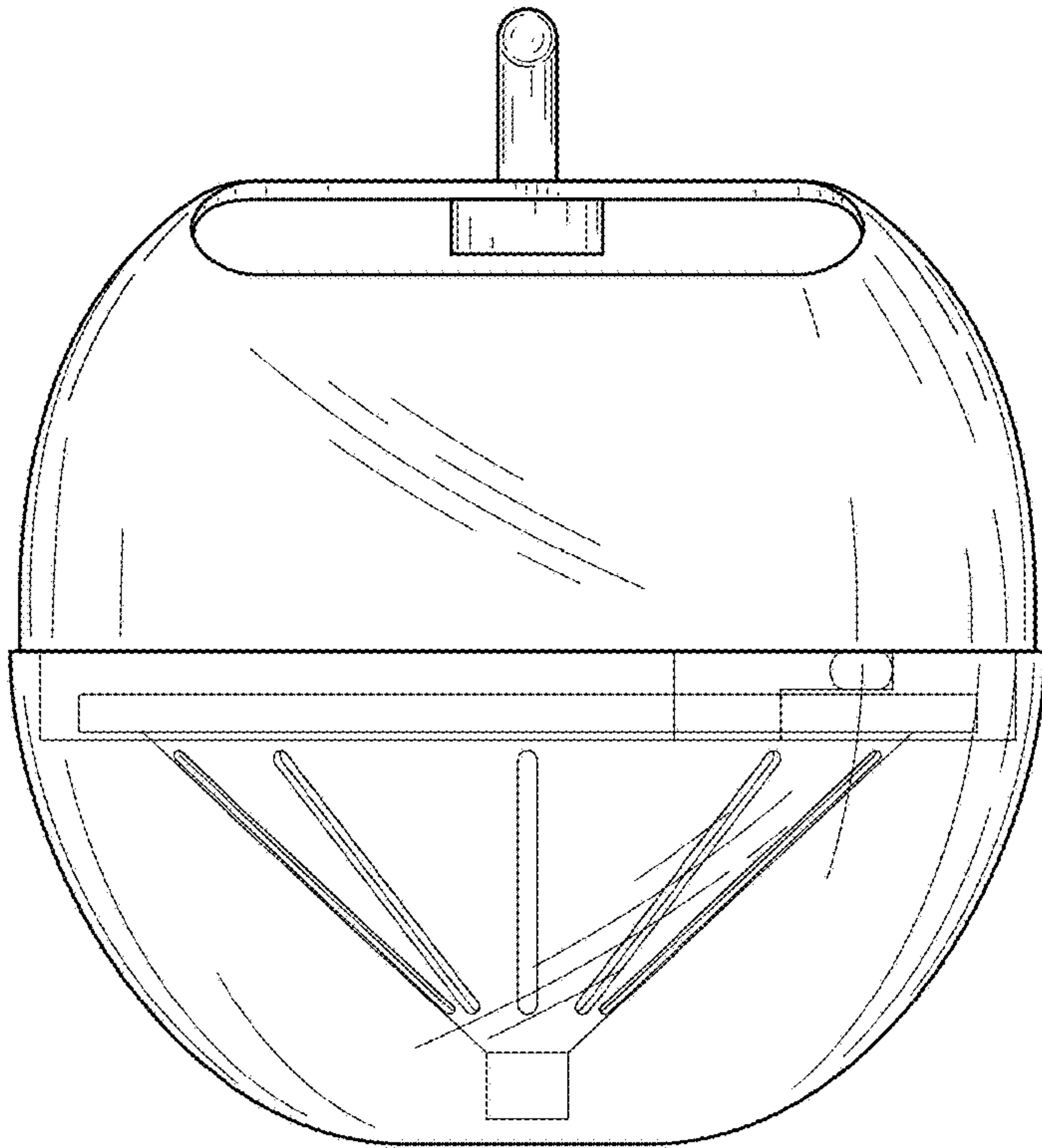


FIG. 12

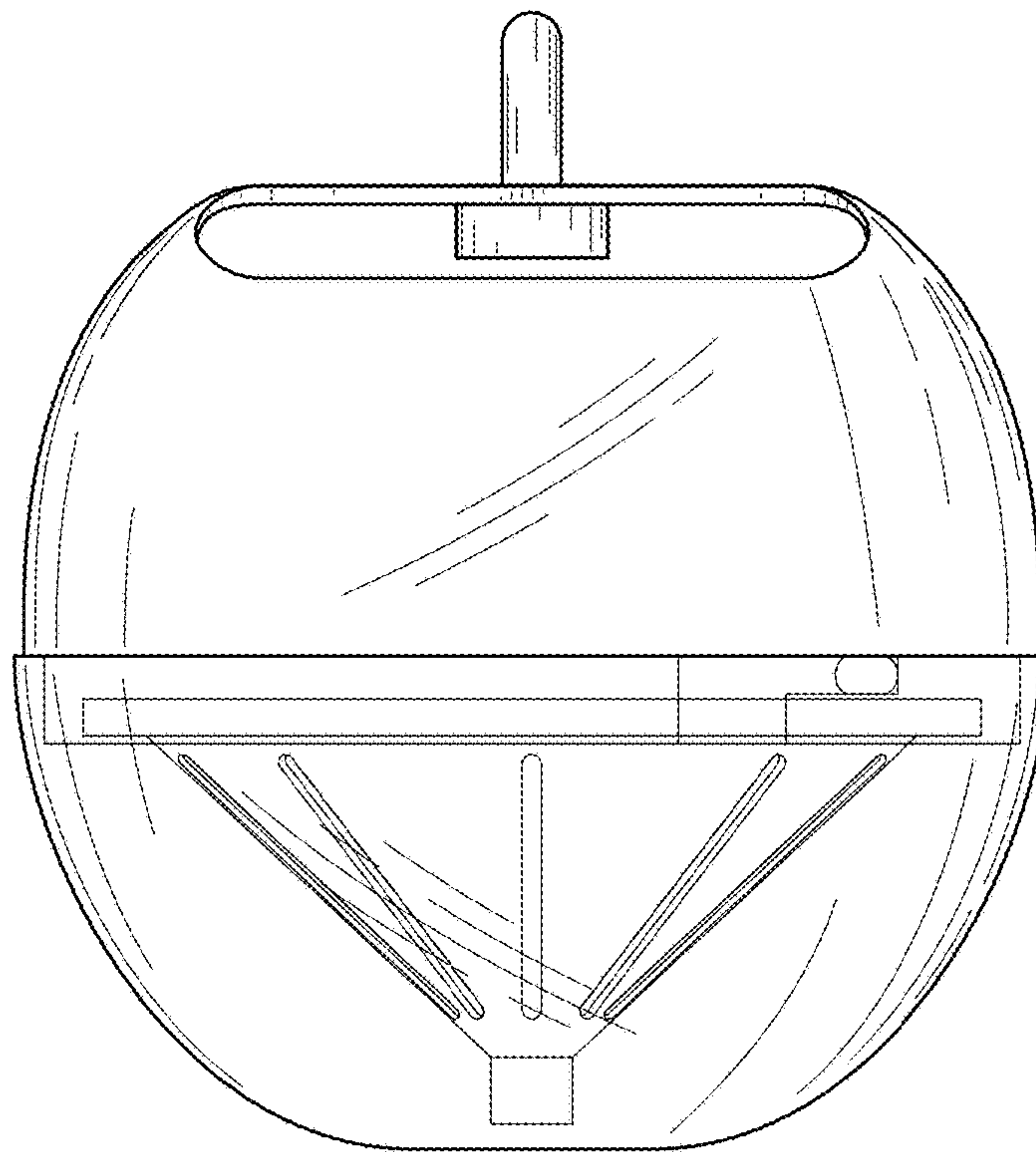


FIG. 13

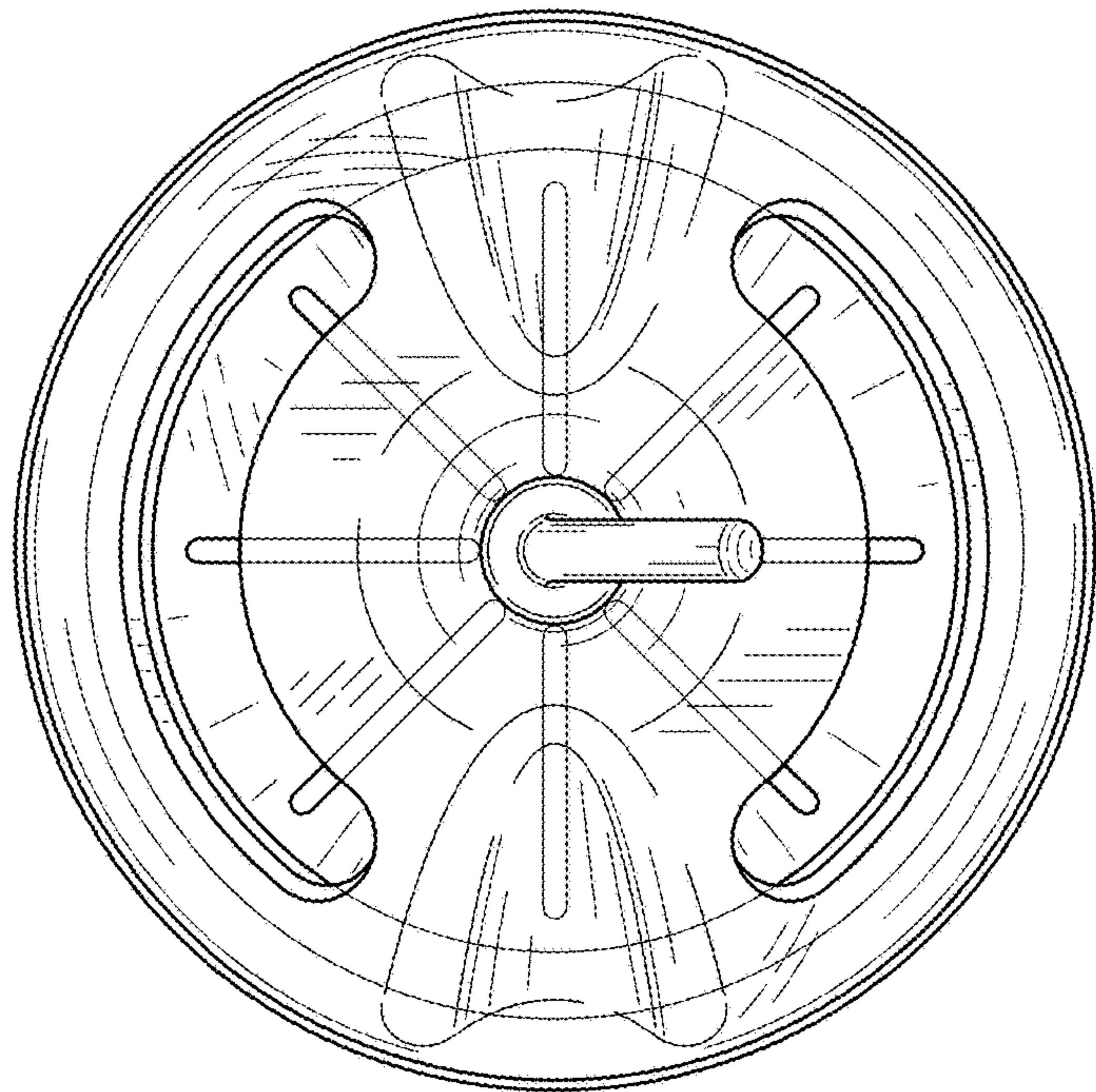


FIG. 14

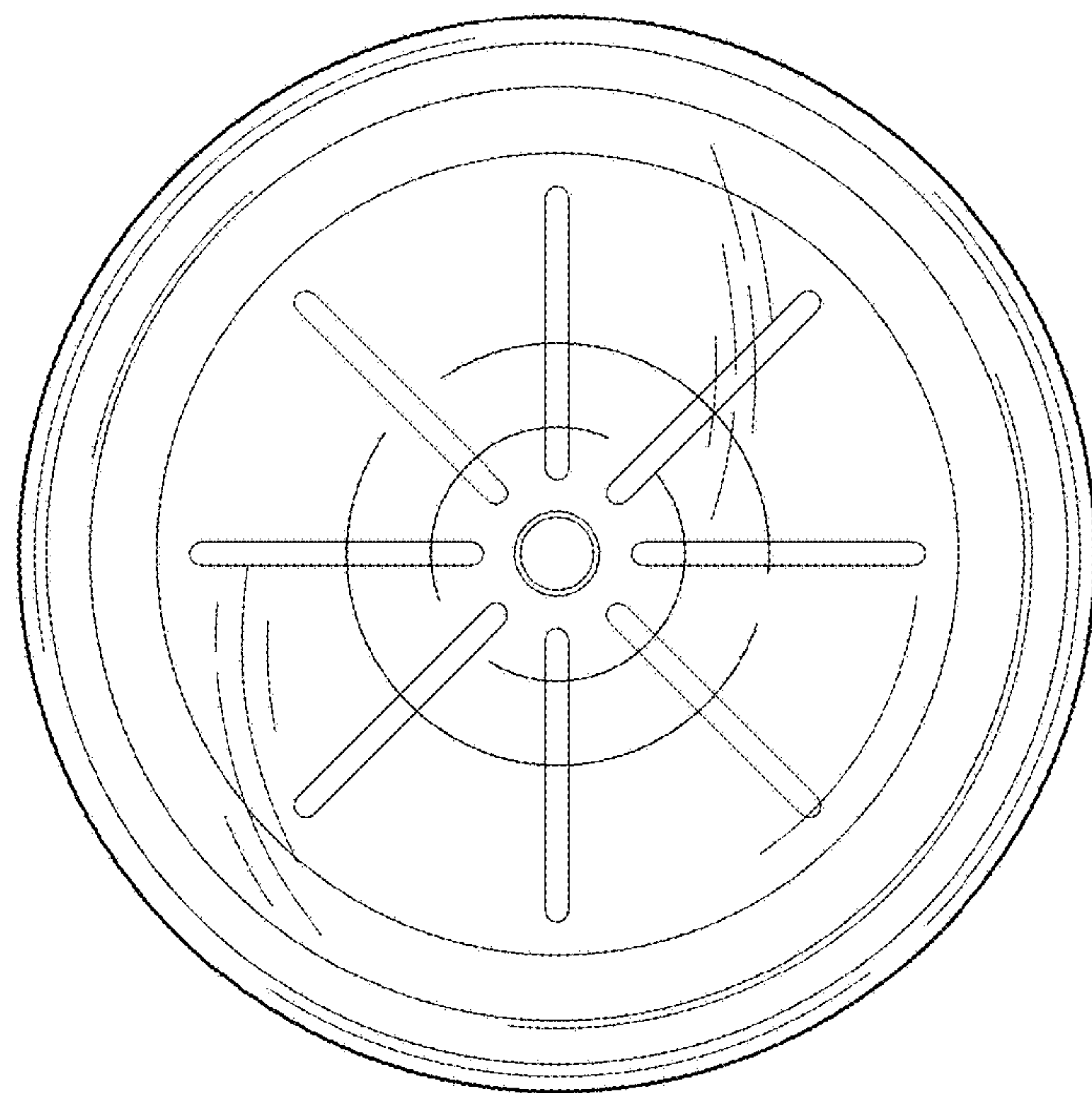


FIG. 15

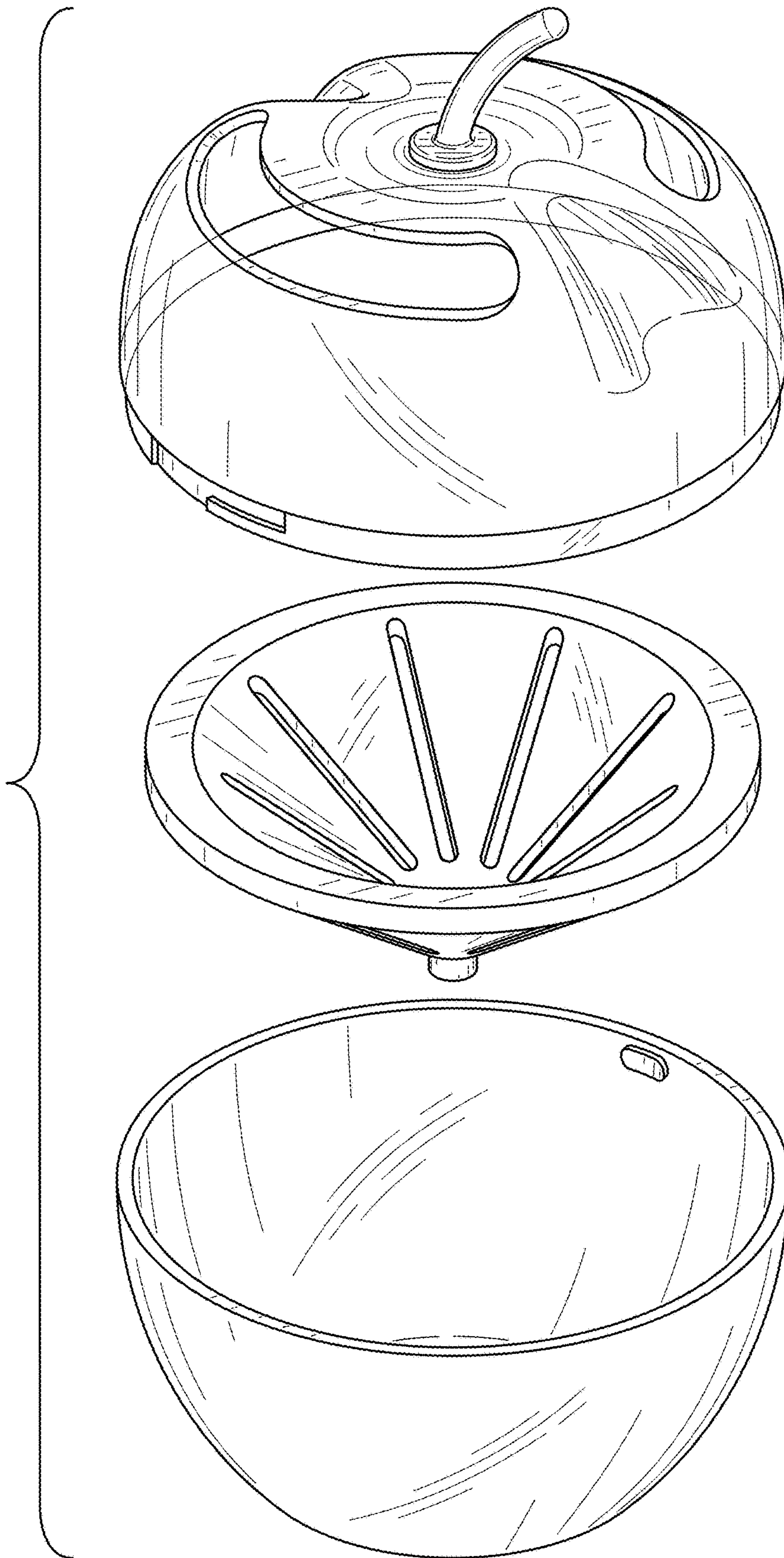


FIG. 16