

US00D789480S

(12) **United States Design Patent**  
**Olsen**

(10) **Patent No.:** **US D789,480 S**

(45) **Date of Patent:** **\*\* Jun. 13, 2017**

(54) **EXPANSION BARREL NUT FOR A FIREARM**

(71) Applicant: **Fortis Manufacturing, Inc.**, Kent, WA (US)

(72) Inventor: **Richard Brady Olsen**, Yelm, WA (US)

(73) Assignee: **FORTIS MANUFACTURING, INC.**, Kent, WA (US)

(\*\*) Term: **15 Years**

(21) Appl. No.: **29/551,360**

(22) Filed: **Jan. 13, 2016**

(51) **LOC (10) Cl.** ..... **22-01**

(52) **U.S. Cl.**  
USPC ..... **D22/108**; D22/109

(58) **Field of Classification Search**  
USPC ..... D22/108, 109, 103; 42/1.01–1.07, 2, 90, 42/10–26, 34, 36, 37, DIG. 1; 89/41.19, 89/7.04, 33.04, 191.01, 200–204; D21/572–575; 124/67, 66, 72, 743  
CPC ..... F41C 23/16; F41A 35/02; F41G 11/003  
See application file for complete search history.

(56) **References Cited**

U.S. PATENT DOCUMENTS

- 4,406,182 A \* 9/1983 Antone ..... B67B 7/066  
29/266
- D271,618 S \* 11/1983 Nishigaki ..... D16/134
- 4,417,521 A \* 11/1983 Dahlitz ..... F42B 14/04  
102/511
- 4,474,302 A \* 10/1984 Goldberg ..... B65D 39/0017  
215/256
- D349,147 S \* 7/1994 Gwinn, Jr. .... D22/108
- 5,433,133 A \* 7/1995 La France ..... F41A 21/325  
89/14.2
- 6,578,462 B1 \* 6/2003 Franchino ..... F41A 21/36  
89/14.2
- D515,603 S \* 2/2006 Hines ..... D16/130

- D532,804 S \* 11/2006 Ono ..... D16/135
- 7,367,519 B2 \* 5/2008 de Groote ..... A47J 19/04  
241/168
- D600,772 S \* 9/2009 Swan ..... D22/108
- D605,724 S \* 12/2009 Heath ..... D22/108
- 7,891,282 B1 \* 2/2011 DeGroat ..... F41A 21/325  
181/223
- D647,588 S \* 10/2011 Heath ..... D22/108
- 8,083,167 B1 \* 12/2011 Namakian ..... A47J 42/14  
241/169.1
- 8,272,306 B1 \* 9/2012 Smith ..... F41A 21/30  
181/223

(Continued)

OTHER PUBLICATIONS

Barrel Nut—AR15 BCM, BravoCompanyUSA.com, [online], [site visited Dec. 30, 2016]. <URL: <http://www.bravocompanyusa.com/Barrel-Nut-AR15-p/barrel%20nut%20ar15.htm>>.\*

(Continued)

*Primary Examiner* — T. Chase Nelson  
*Assistant Examiner* — Jonathan J Han  
(74) *Attorney, Agent, or Firm* — Eversheds Sutherland (US) LLP

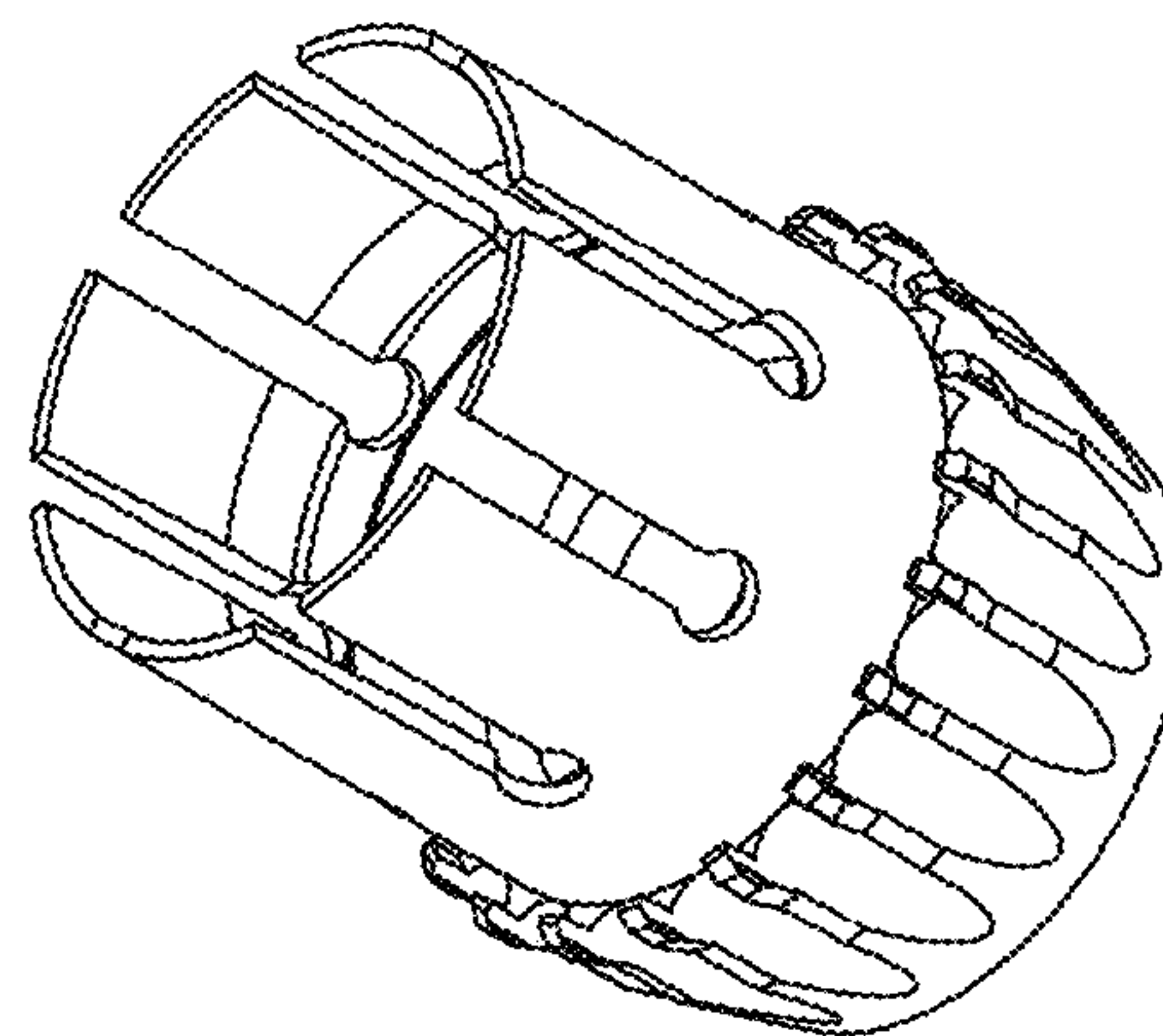
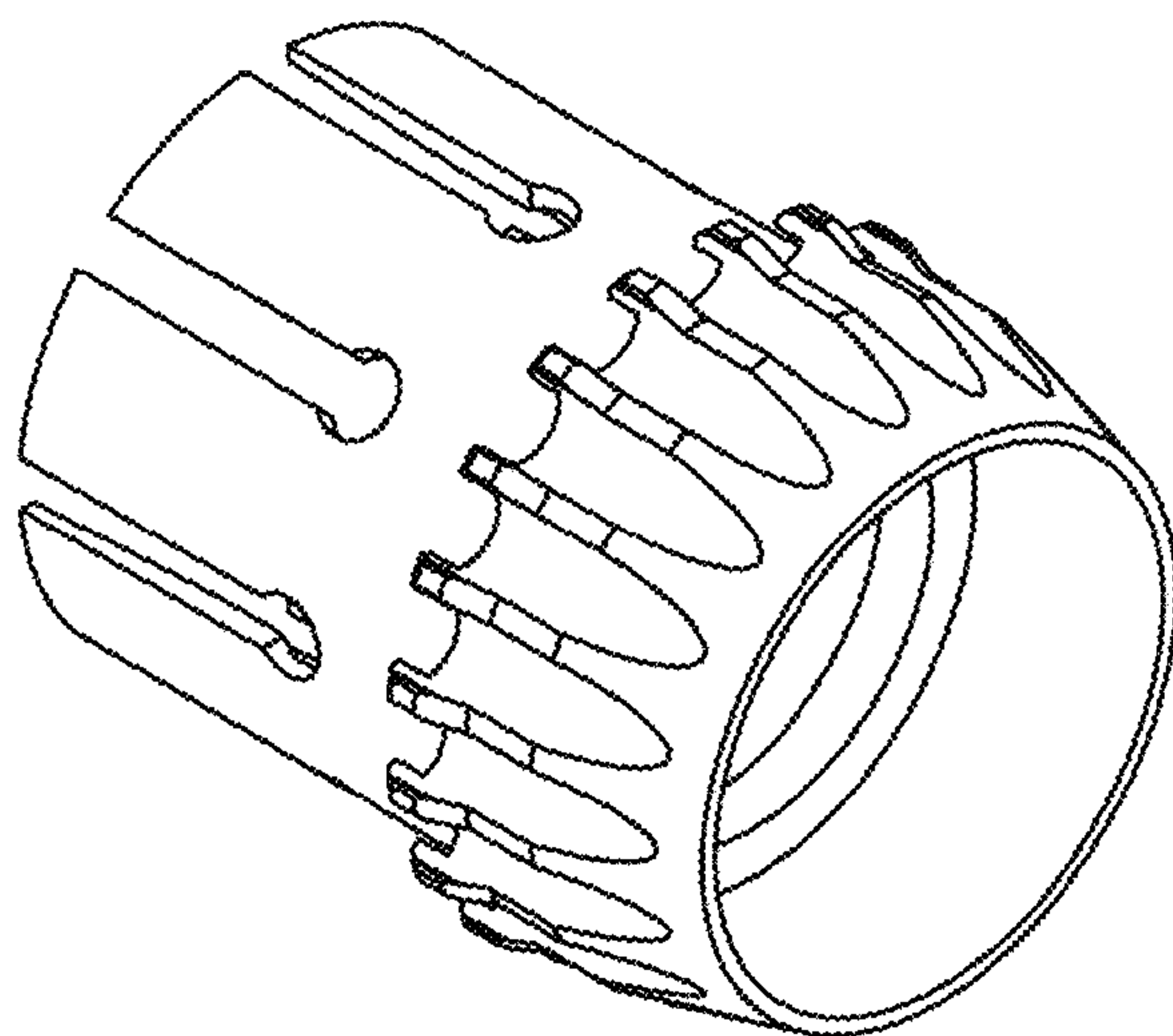
(57) **CLAIM**

The ornamental design for an expansion barrel nut for a firearm, as shown and described.

**DESCRIPTION**

FIG. 1 is a perspective view of an expansion barrel nut for a firearm according to an embodiment of the disclosure; FIG. 2 is a perspective view thereof; FIG. 3 is a side view thereof; FIG. 4 is a cross-sectional view thereof along line 4-4 of FIG. 3; FIG. 5 is a front view thereof; and, FIG. 6 is a rear view thereof.

**1 Claim, 3 Drawing Sheets**



(56)

References Cited

U.S. PATENT DOCUMENTS

D676,919 S \* 2/2013 Delgado Acarreta ..... D22/108  
 8,387,299 B1 \* 3/2013 Brittingham ..... F41A 21/30  
 42/90  
 D679,342 S \* 4/2013 Coulter ..... D21/573  
 8,424,441 B2 \* 4/2013 Brittingham ..... F41A 21/26  
 181/223  
 D682,384 S \* 5/2013 Jaureguizar ..... D22/108  
 D699,303 S \* 2/2014 Coulter ..... D21/573  
 8,726,559 B1 \* 5/2014 Mueller ..... F41A 21/482  
 42/75.02  
 8,739,674 B1 \* 6/2014 Huber ..... F41A 21/32  
 89/14.2  
 D709,140 S \* 7/2014 Coulter ..... D21/573  
 D715,378 S \* 10/2014 Coulter ..... D21/573  
 8,925,768 B1 \* 1/2015 Ismail ..... G01F 11/261  
 222/41  
 D723,130 S \* 2/2015 Barrett ..... D22/108  
 8,997,621 B1 \* 4/2015 Dater ..... F41A 21/325  
 89/14.3  
 D734,828 S \* 7/2015 Geissele ..... D22/108  
 D737,398 S \* 8/2015 Spanel ..... D22/108  
 9,239,204 B2 \* 1/2016 Michal ..... F41A 35/04  
 9,261,319 B1 \* 2/2016 Palu ..... F41A 21/34  
 D759,188 S \* 6/2016 Geissele ..... D22/108  
 D762,091 S \* 7/2016 Grumbacher ..... D7/679  
 D766,045 S \* 9/2016 Ismail ..... D7/589  
 D767,072 S \* 9/2016 Dulisse ..... D22/108  
 9,448,027 B1 \* 9/2016 Zinsner ..... F41A 21/482  
 D769,395 S \* 10/2016 Dulisse ..... D22/108  
 9,505,009 B1 \* 11/2016 Wein ..... B02C 18/186  
 2009/0134256 A1 \* 5/2009 Rice ..... A47J 42/08  
 241/169.1

2009/0212142 A1 \* 8/2009 Greiner ..... A47J 43/255  
 241/93  
 2011/0000122 A1 \* 1/2011 Camarillo ..... F41A 35/04  
 42/96  
 2011/0036233 A1 \* 2/2011 DeGroat ..... F41A 21/325  
 89/14.4  
 2011/0101023 A1 \* 5/2011 Chan ..... G01F 11/20  
 222/1  
 2011/0252952 A1 \* 10/2011 McNeill ..... F41A 21/38  
 89/14.3  
 2012/0006922 A1 \* 1/2012 Wilson ..... A47J 42/10  
 241/169.1  
 2013/0180151 A1 \* 7/2013 Moore ..... F41C 27/00  
 42/90

OTHER PUBLICATIONS

I-Ton Barrel Nut AR-15, MidwayUSA.com, [online], [site visited Dec. 30, 2016]. <URL: <http://www.midwayusa.com/product/815263/del-ton-barrel-nut-ar-15>>.\*  
 Yankee Hill Machine Co., Inc.—AR-15 Forend Barrel Nut & Jam Nut, Brownells.com, [online], [site visited Dec. 30, 2016]. <URL: <http://www.brownells.com/rifle-parts/barrel-parts/rifle-barrel-hardware/barrel-nuts/barrel-nut-sku100009657-54002-103311.aspx>>.\*  
 Large Savage Barrel Nut, TheBarrelOutlet.com, [online], [site visited Dec. 30, 2016]. <URL: <https://thebarreloutlet.com/product/large-savage-barrel-nut/>>.\*  
 Barrel Nut, Alpha 308 DPMS, TroyInd.com, [online], [site visited Dec. 30, 2016]. <URL: <https://troyind.com/products/barrel-nut-alpha-308-dpms>>.\*  
 Aluminum Barrel Nut, 2A-Arms.com, [online], [site visited Dec. 30, 2016]. <URL: <https://troyind.com/products/barrel-nut-alpha-308-dpms>>.\*

\* cited by examiner

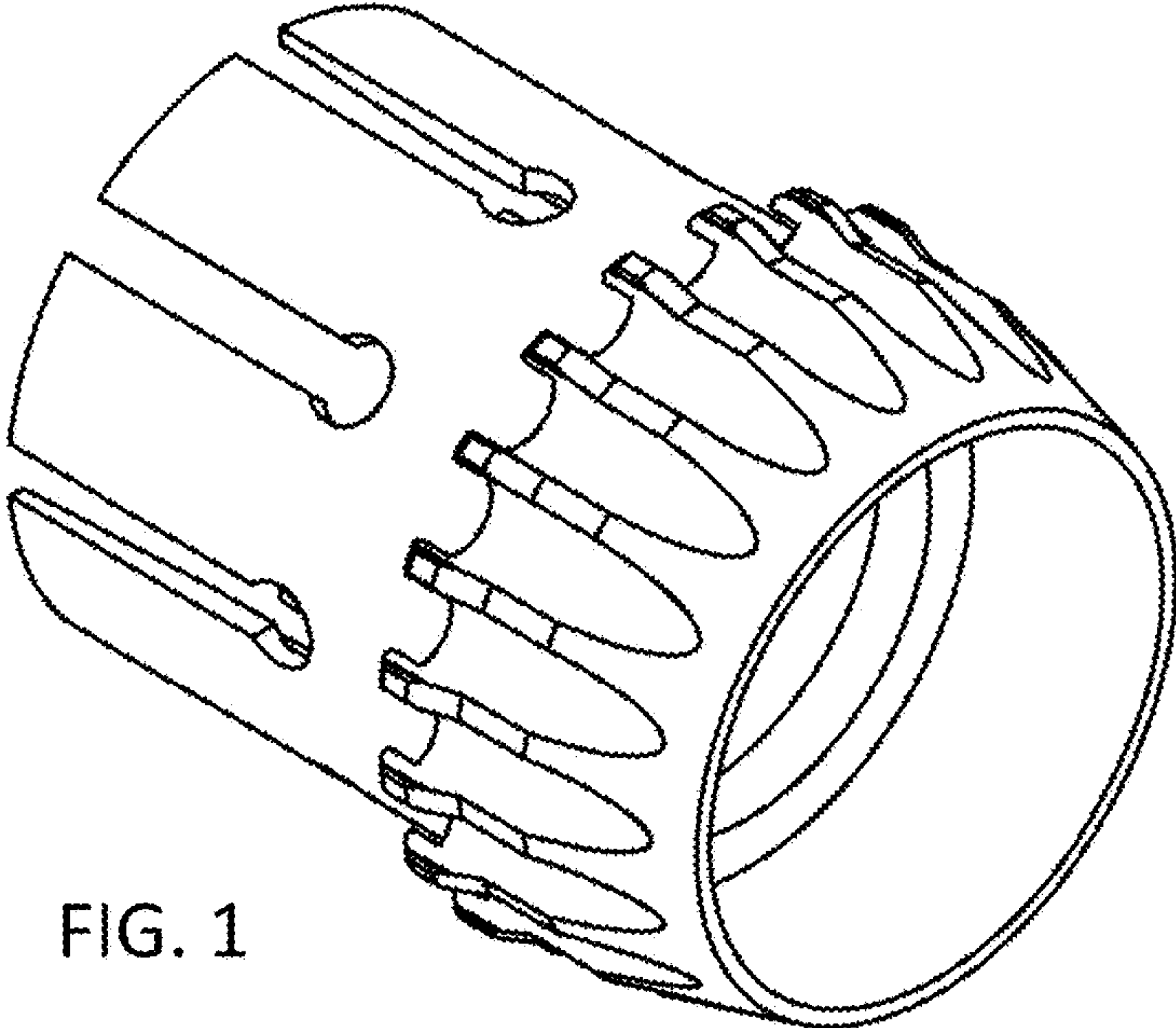


FIG. 1

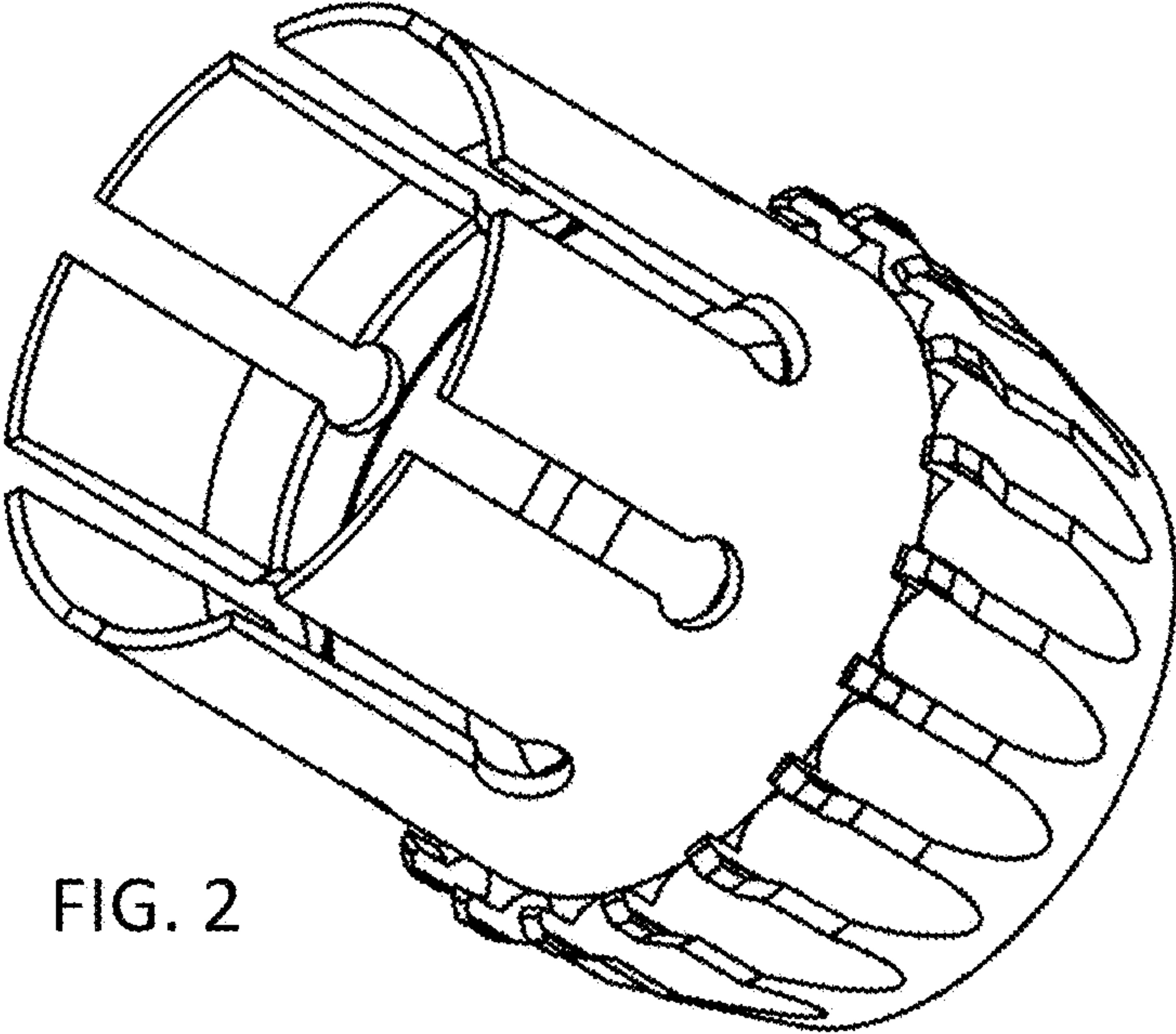


FIG. 2



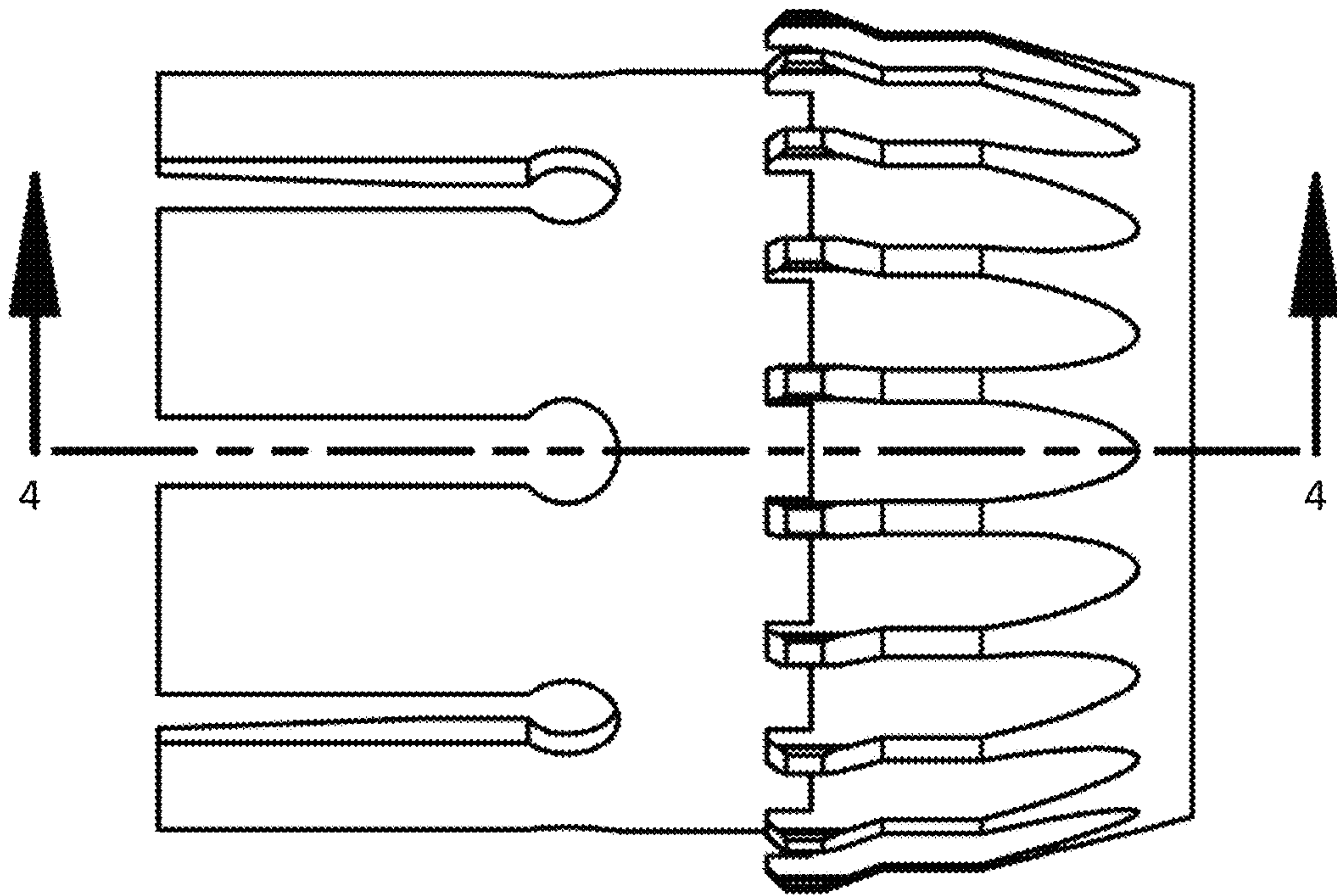


FIG. 3

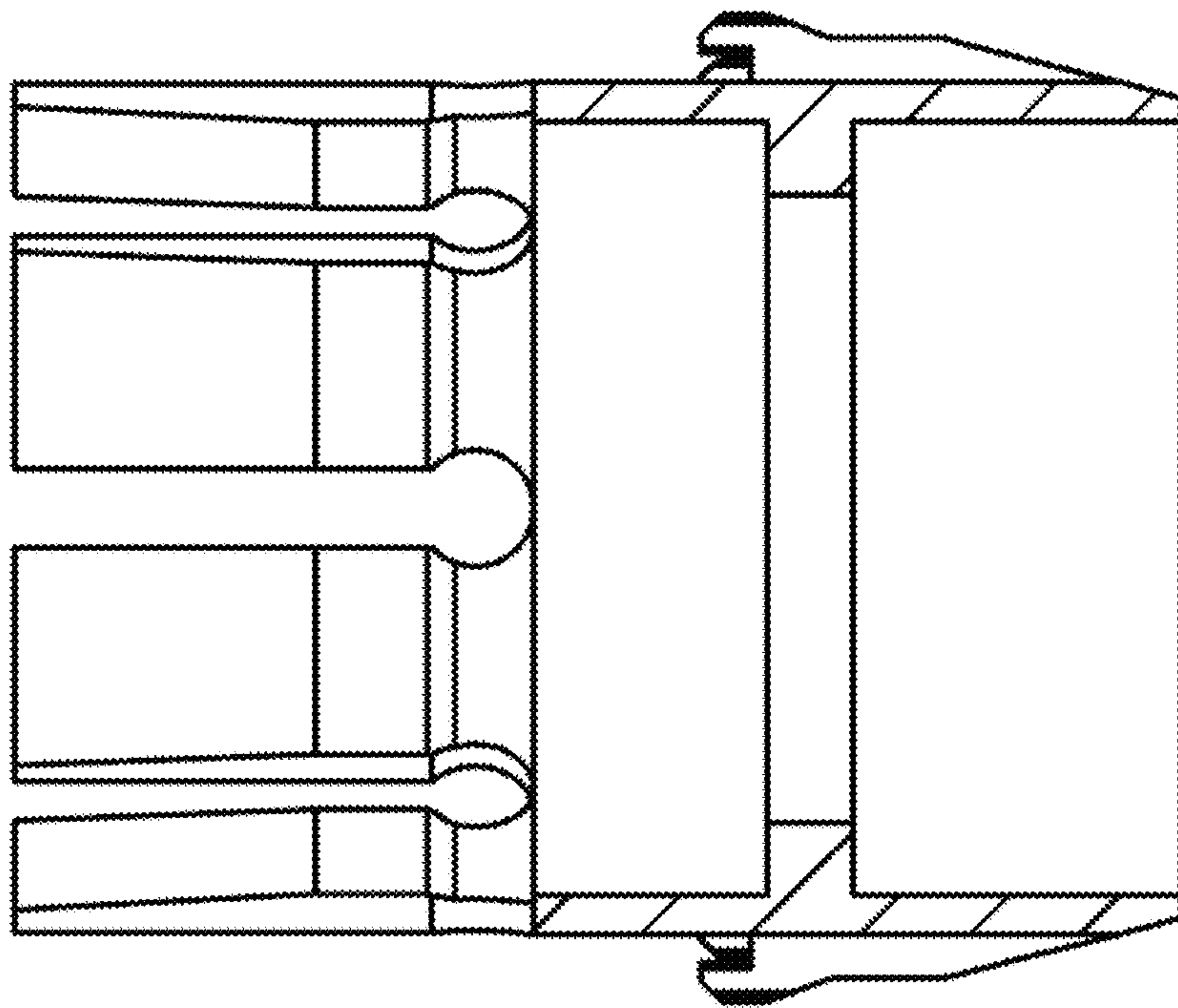


FIG. 4

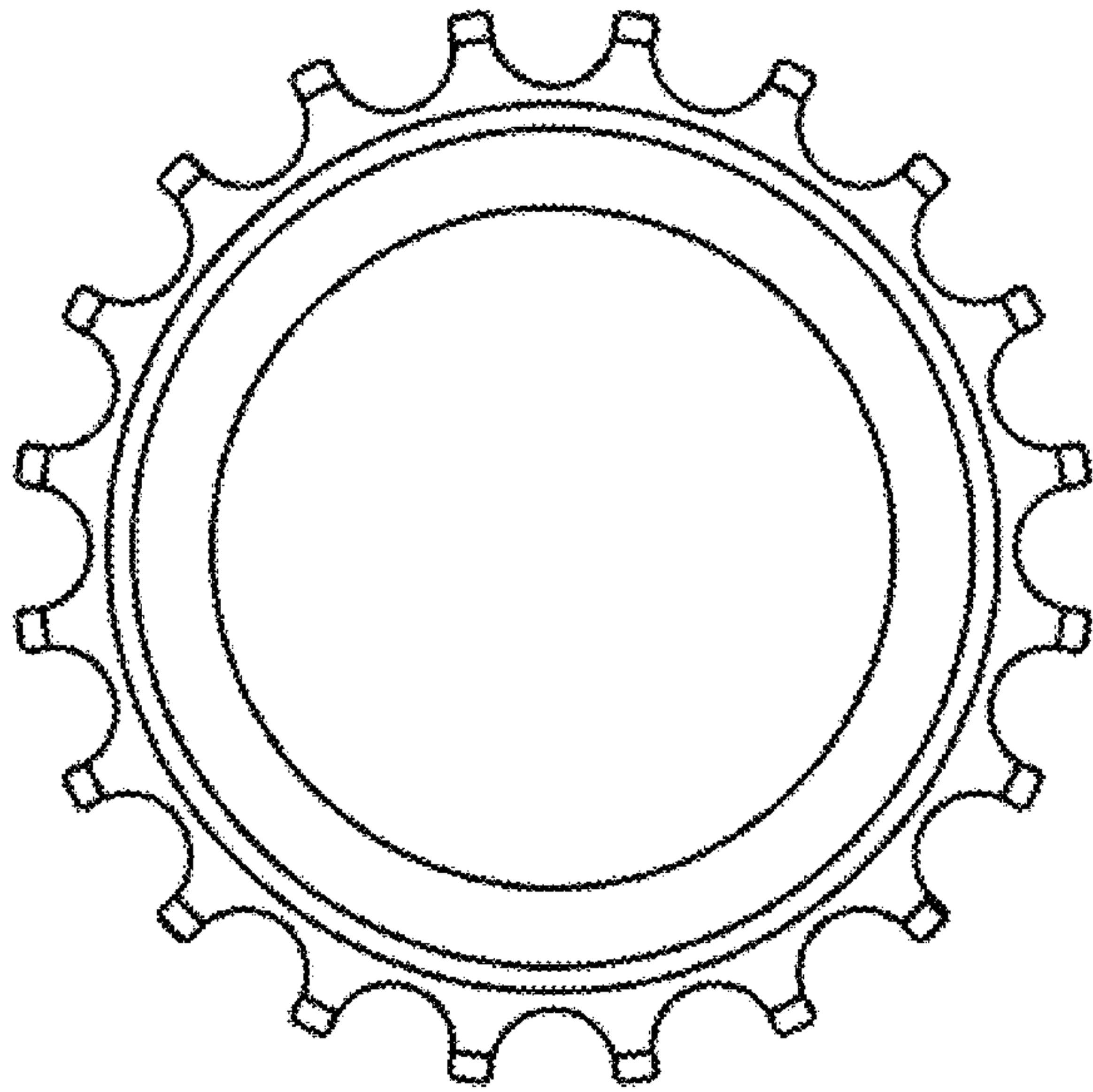


FIG. 5

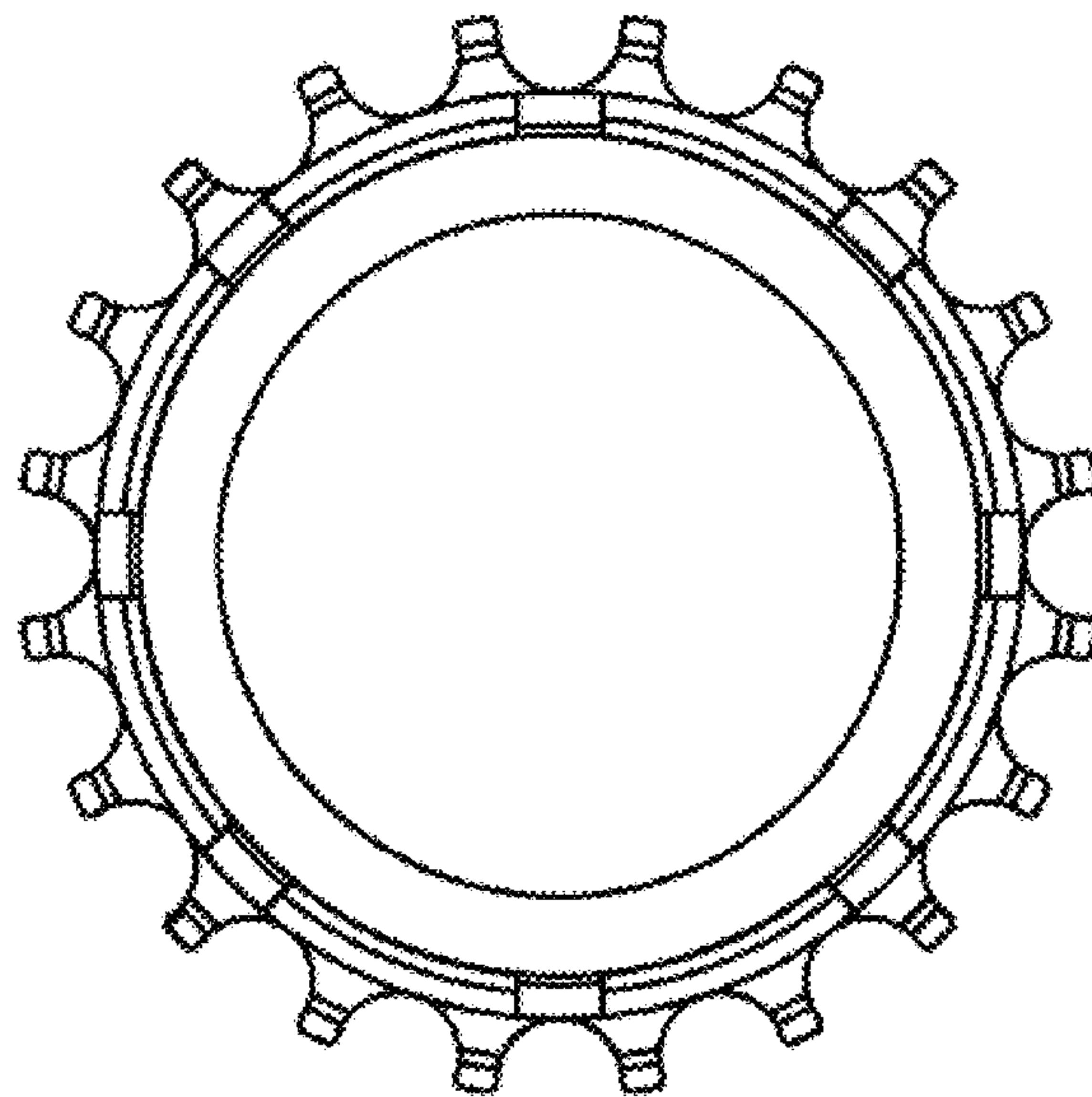


FIG. 6