



US00D789479S

(12) **United States Design Patent**  
**McCracken et al.**

(10) **Patent No.:** **US D789,479 S**  
(45) **Date of Patent:** **\*\* Jun. 13, 2017**

(54) **GRASPABLE STRUCTURE FOR A FIREARM SLIDE**

(71) Applicant: **TURNKEY TECHNICAL SERVICE, LLC**, Knoxville, TN (US)

(72) Inventors: **John C. McCracken**, Knoxville, TN (US); **Paul D. Vannasdale**, Clinton, TN (US); **Douglas J. Warren**, Louisville, TN (US); **James L. Bailey**, Powell, TN (US)

(73) Assignee: **TURNKEY TECHNICAL SERVICES, LLC**, Knoxville, TN (US)

(\*\*) Term: **15 Years**

(21) Appl. No.: **29/544,319**

(22) Filed: **Nov. 2, 2015**

(51) **LOC (10) Cl.** ..... **22-01**

(52) **U.S. Cl.**  
USPC ..... **D22/108**

(58) **Field of Classification Search**  
USPC ..... D22/108, 199; 135/72  
(Continued)

(56) **References Cited**

**U.S. PATENT DOCUMENTS**

D631,123 S \* 1/2011 Byers ..... D22/108

**OTHER PUBLICATIONS**

Rimfire Sports and Custom, Tactical Solutions Ruger Mark III Pistol Bolt Racker, publication date unknown, [site visited Oct. 26, 20016], Available on the Internet URL:<[http://www.rimfiresports.com/merchant.mv?Screen=PROD&Store\\_Code=RSC&Product\\_Code=TS-RACKER](http://www.rimfiresports.com/merchant.mv?Screen=PROD&Store_Code=RSC&Product_Code=TS-RACKER)>.\*

(Continued)

*Primary Examiner* — Susan Bennett Hattan

*Assistant Examiner* — Bryan Reinholdt, Jr.

(74) *Attorney, Agent, or Firm* — Withers & Keys, LLC

(57) **CLAIM**

The ornamental design for a graspable structure for a firearm slide, as shown and described.

**DESCRIPTION**

FIG. 1 shows a first side perspective view of the graspable structure for a firearm slide with a firearm slide shown in broken lines for context.

FIG. 2 shows the first side perspective view of the first embodiment.

FIG. 3 shows a second side perspective view of the first embodiment, the second side being opposite the first side.

FIG. 4 shows the first side view of the first embodiment.

FIG. 5 shows the second side view of the first embodiment.

FIG. 6 shows the third side view of the first embodiment.

FIG. 7 shows the fourth side view of the first embodiment, the fourth side being opposite the third side.

FIG. 8 shows the fifth side view of the first embodiment.

FIG. 9 shows the sixth side view of the first embodiment, the sixth side being opposite the fifth side.

FIG. 10 shows a first side perspective view of a third embodiment of the graspable structure with a slide of a firearm shown in phantom for context.

FIG. 11 shows the first side perspective view of the second embodiment.

FIG. 12 shows a second side perspective view of the second embodiment, the second side being opposite the first side.

FIG. 13 shows the first side view of the second embodiment.

FIG. 14 shows the second side view of the second embodiment.

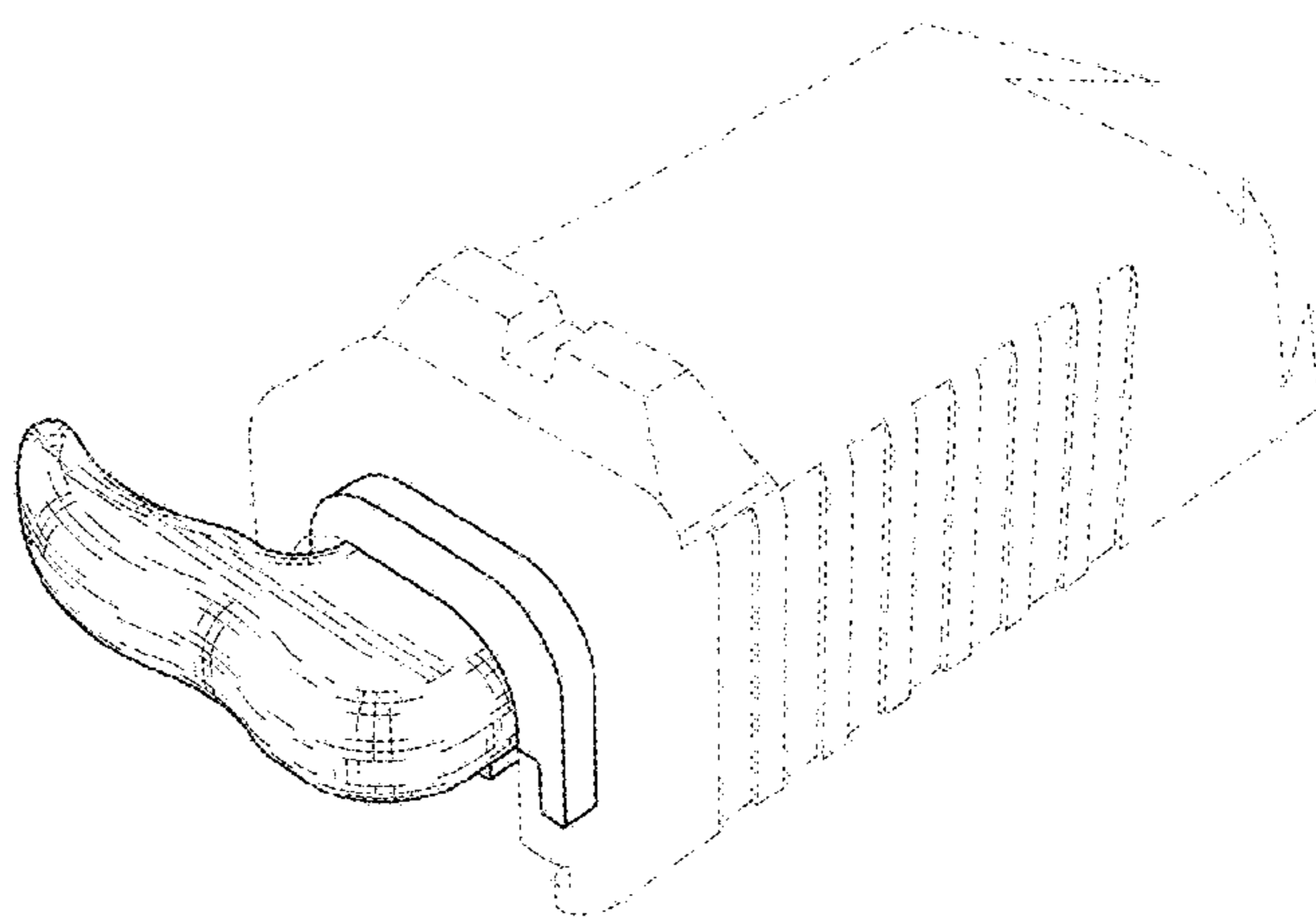
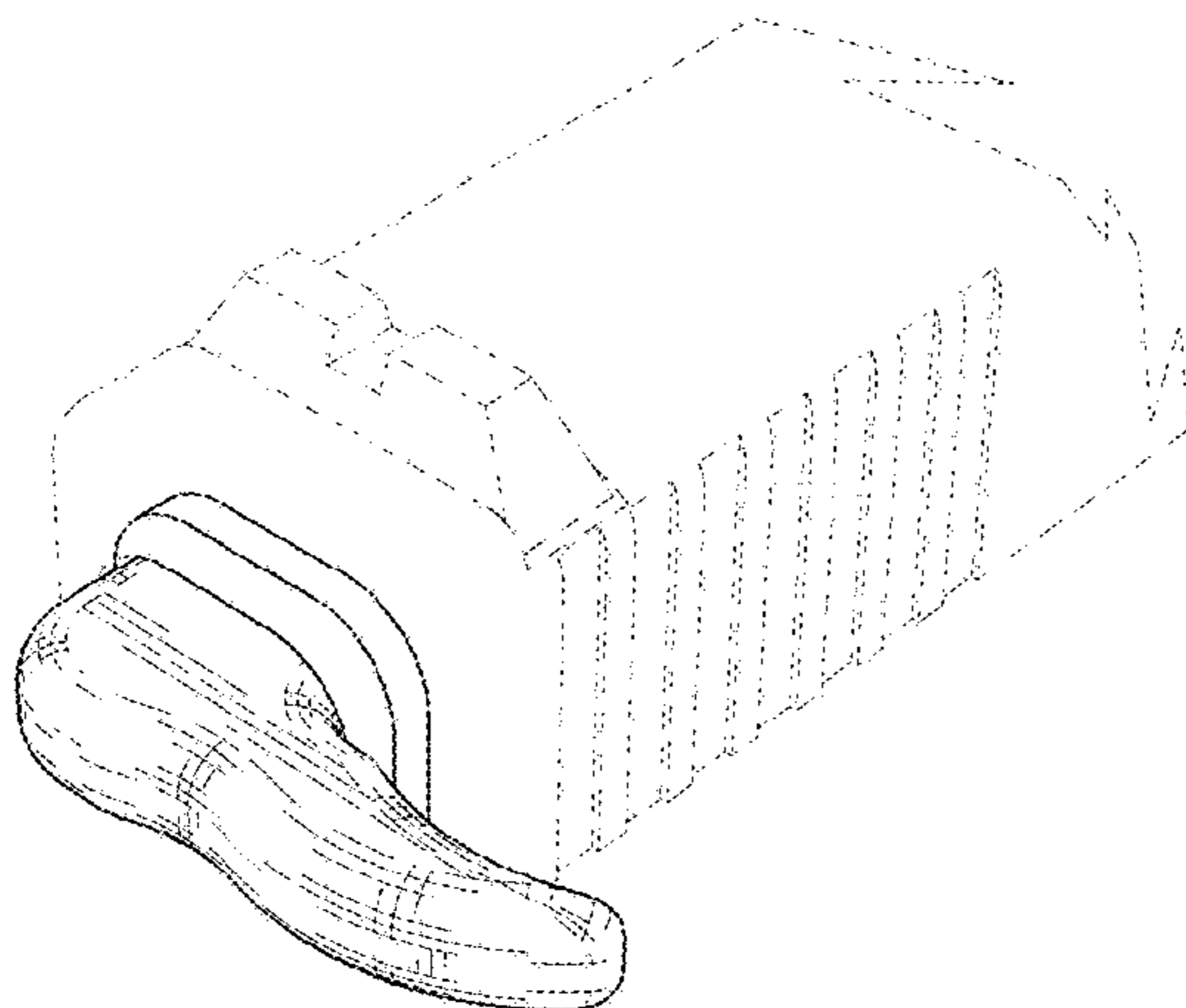
FIG. 15 shows the third side view of the second embodiment.

FIG. 16 shows the fourth side view of the second embodiment, the fourth side being opposite the third side.

FIG. 17 shows the fifth side view of the second embodiment; and,

FIG. 18 shows the sixth side view of the second embodiment, the sixth side being opposite the fifth side.

(Continued)



The slide of the firearm in FIGS. 1 and 10 shown in broken lines depicts environment and forms no part of the claimed design.

**1 Claim, 18 Drawing Sheets**

(58) **Field of Classification Search**

CPC ..... A61H 3/02; F42B 39/00

See application file for complete search history.

(56) **References Cited**

**OTHER PUBLICATIONS**

EZ Slide Racker, Springer Precision LLC, www.brownells.com, document was publicly available prior to the filing of the named application.

Slide Racker for Glock, Tactical Supply Depot, www.brownells.com, document was publicly available prior to the filing of named application.

\* cited by examiner

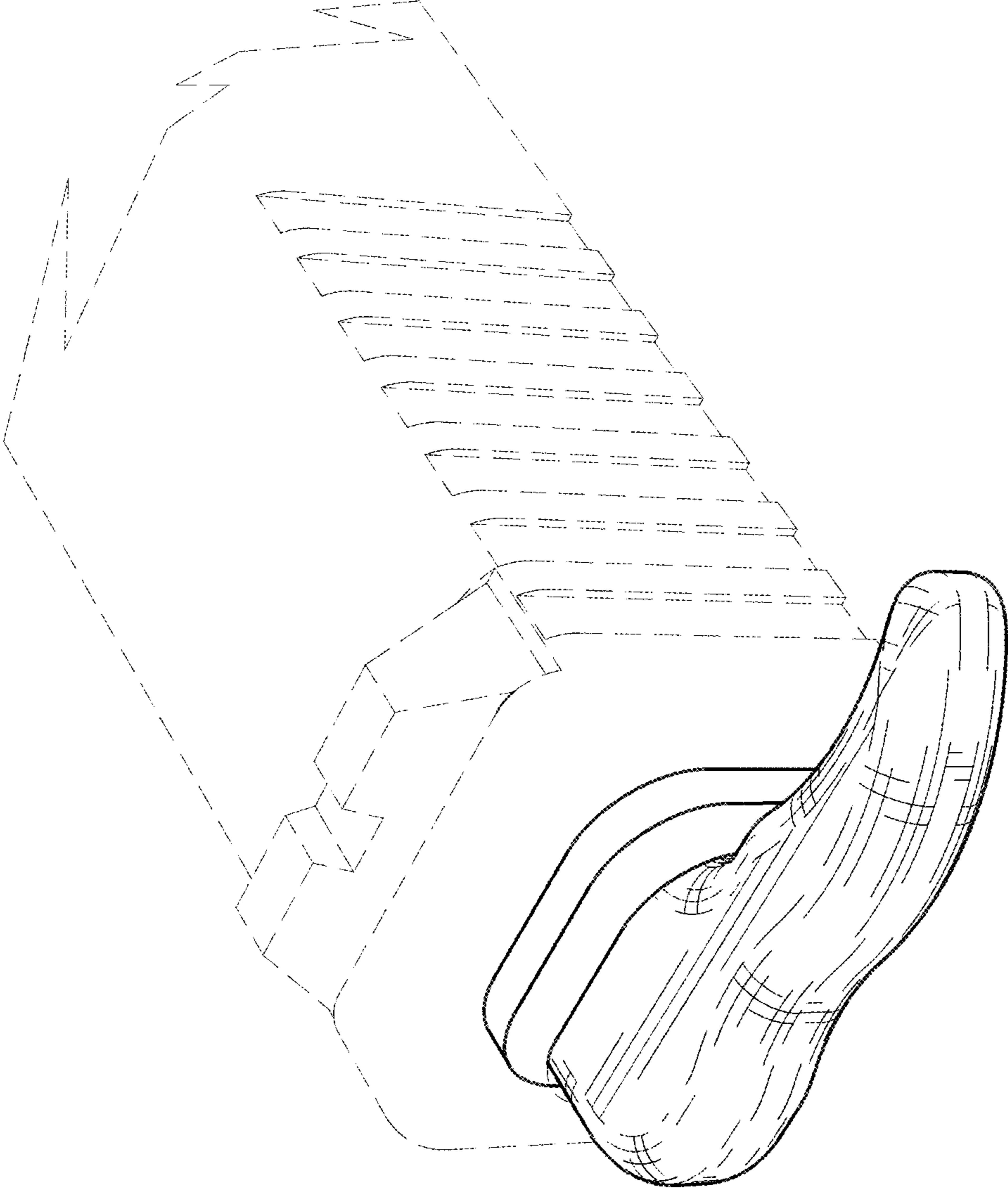


FIG. 1

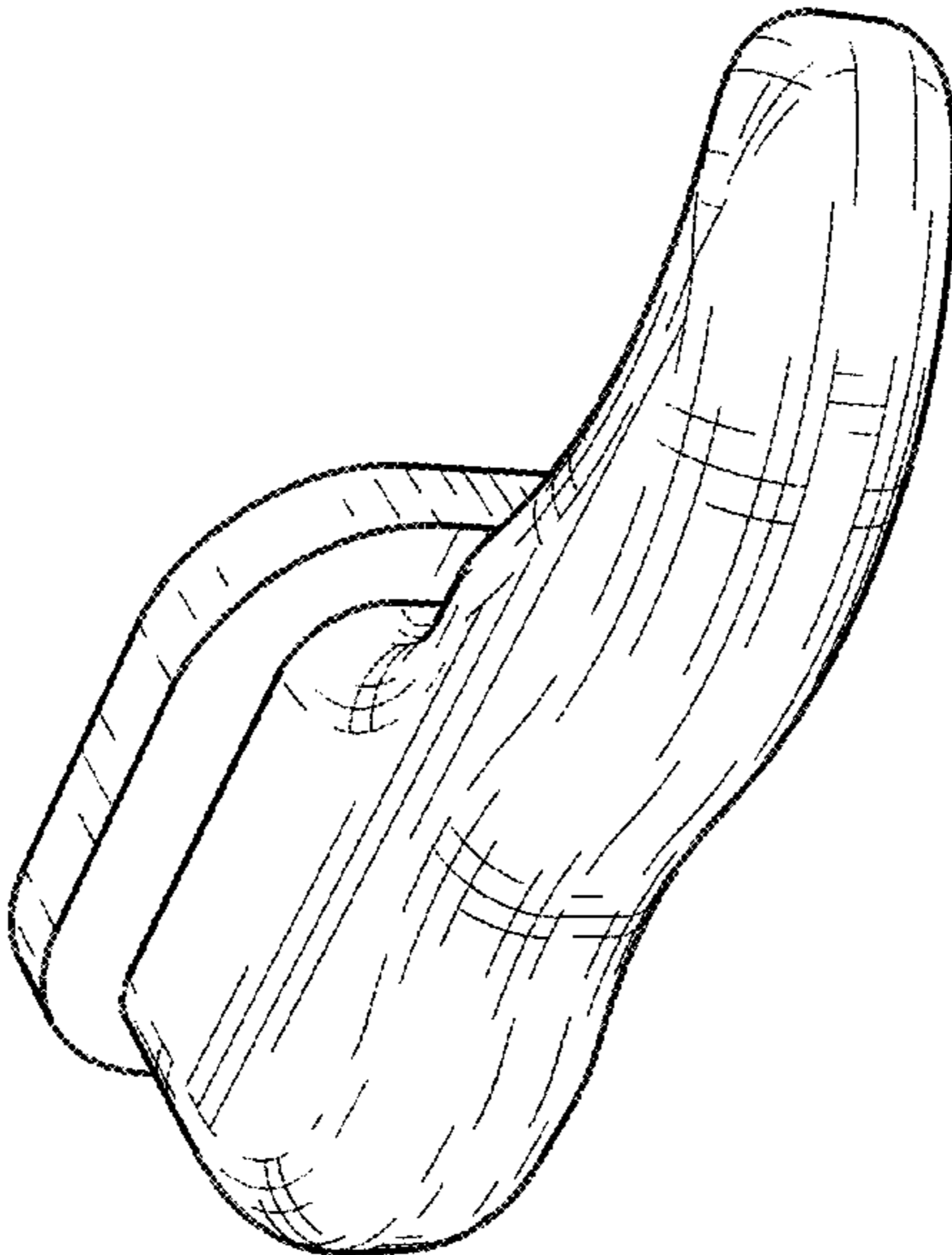


FIG. 2

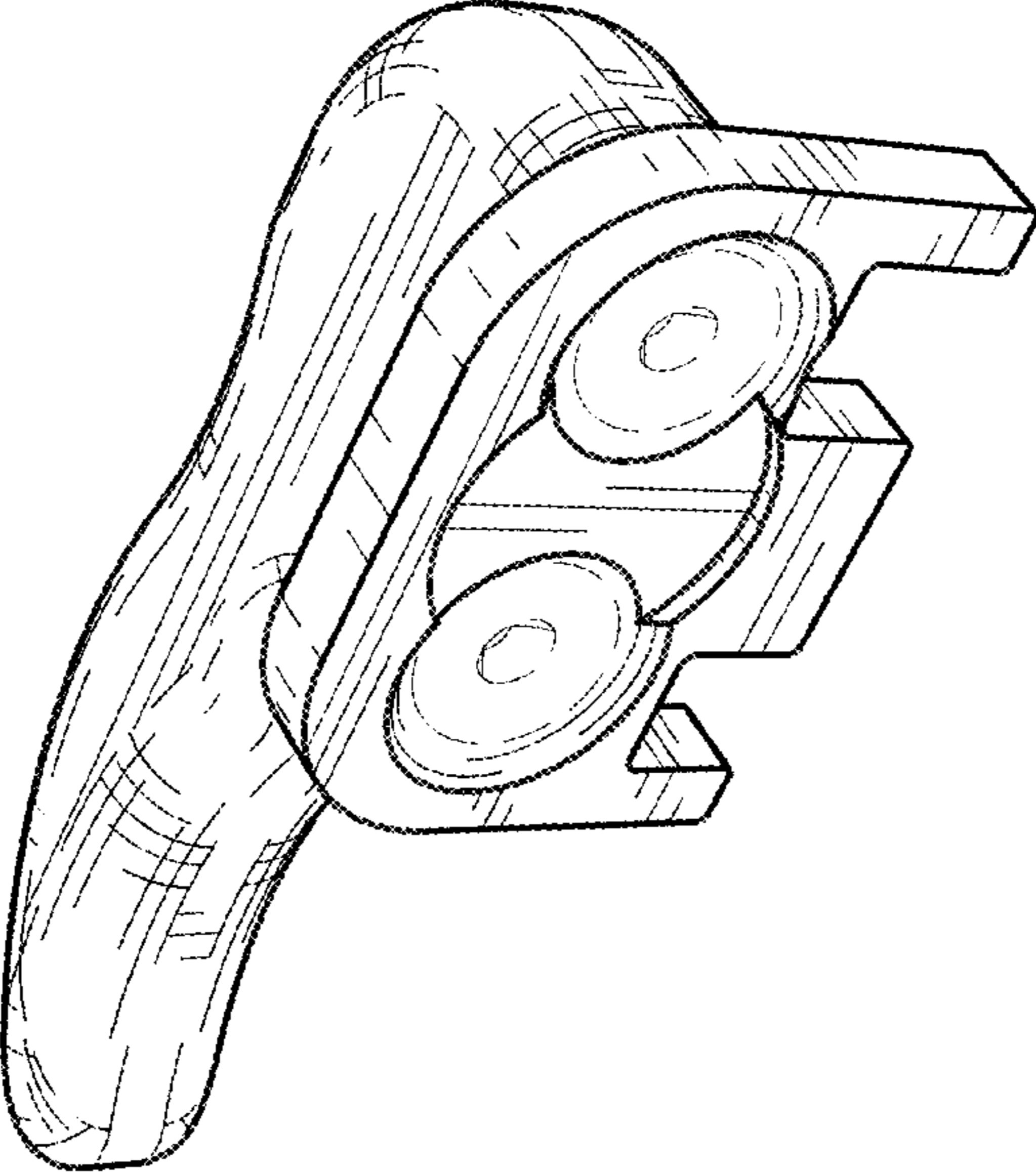


FIG. 3

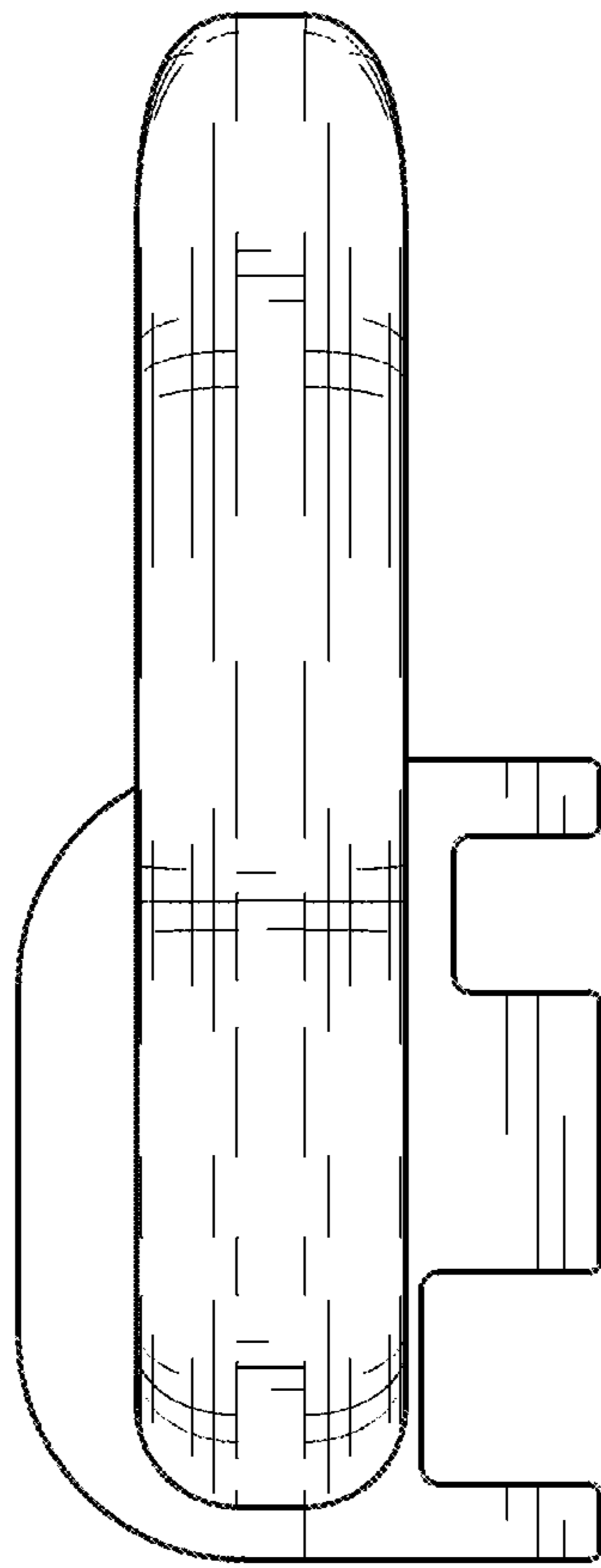


FIG. 4

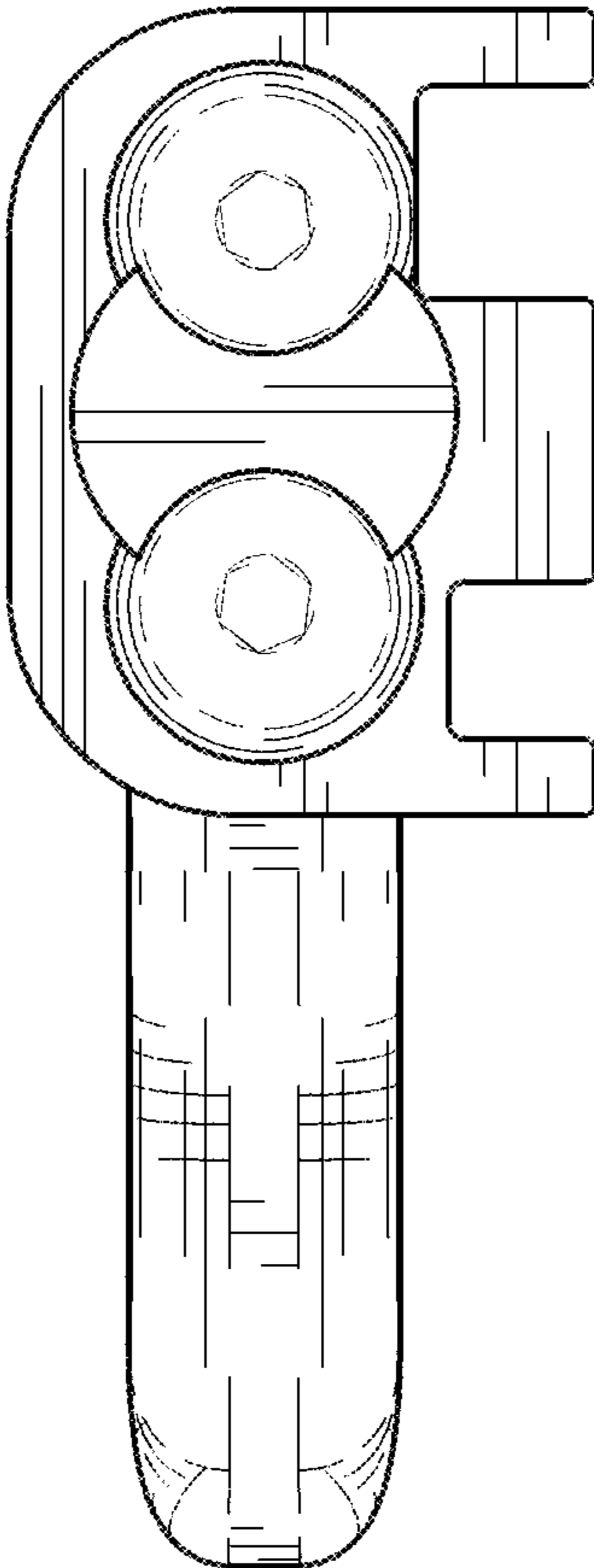


FIG. 5

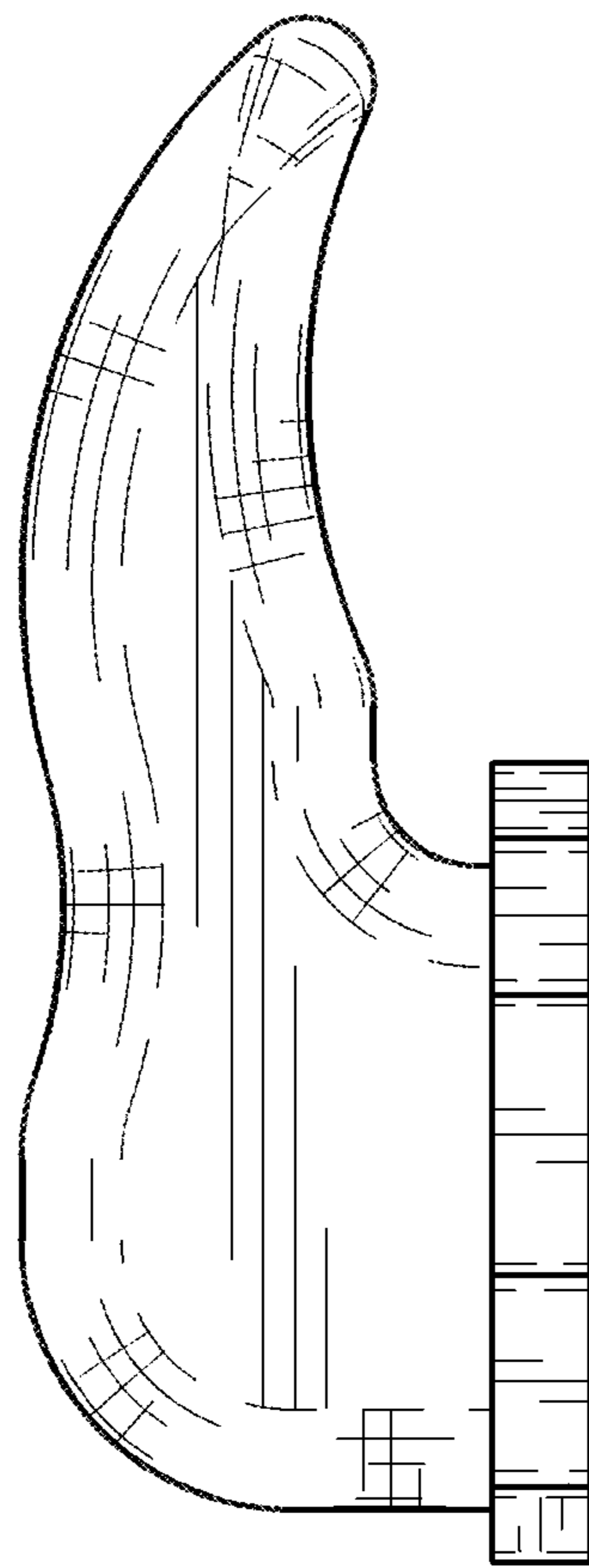


FIG. 6



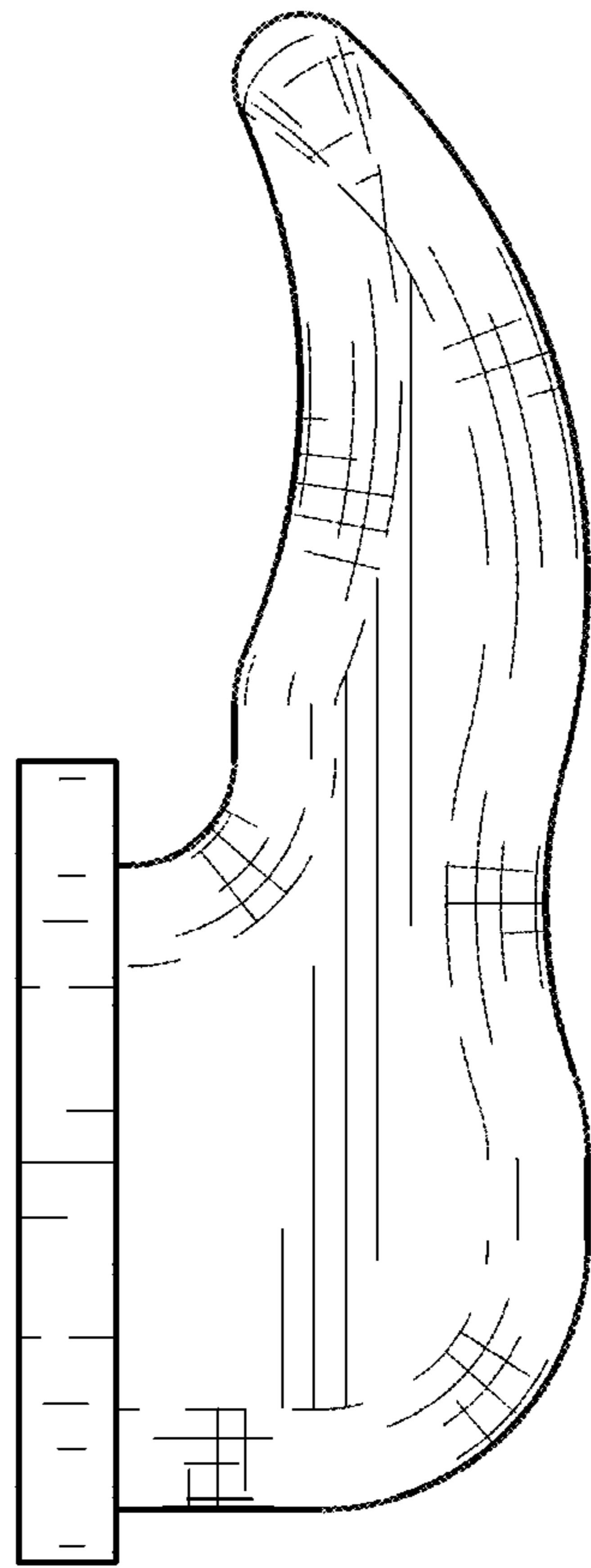


FIG. 7

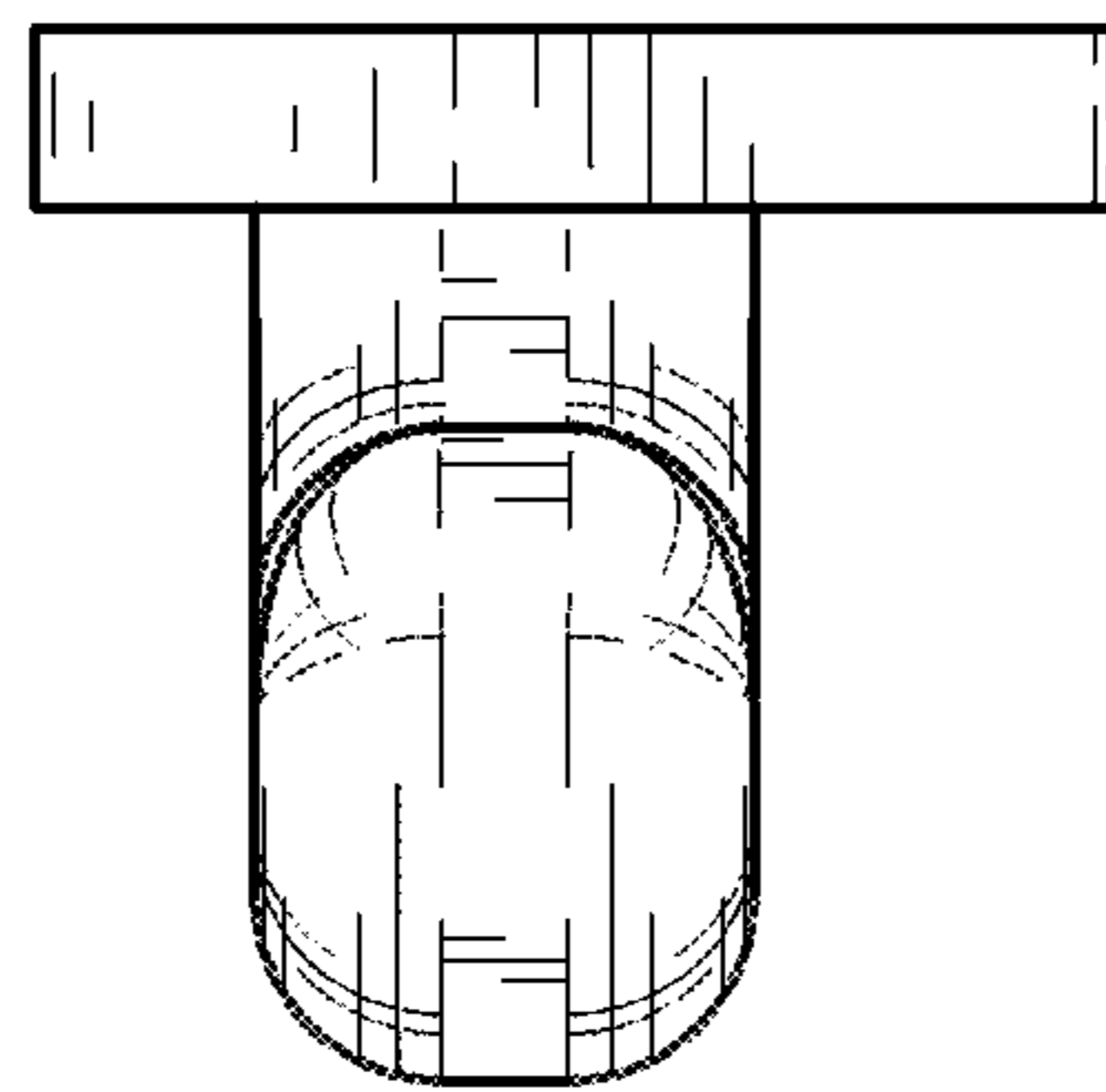


FIG. 8

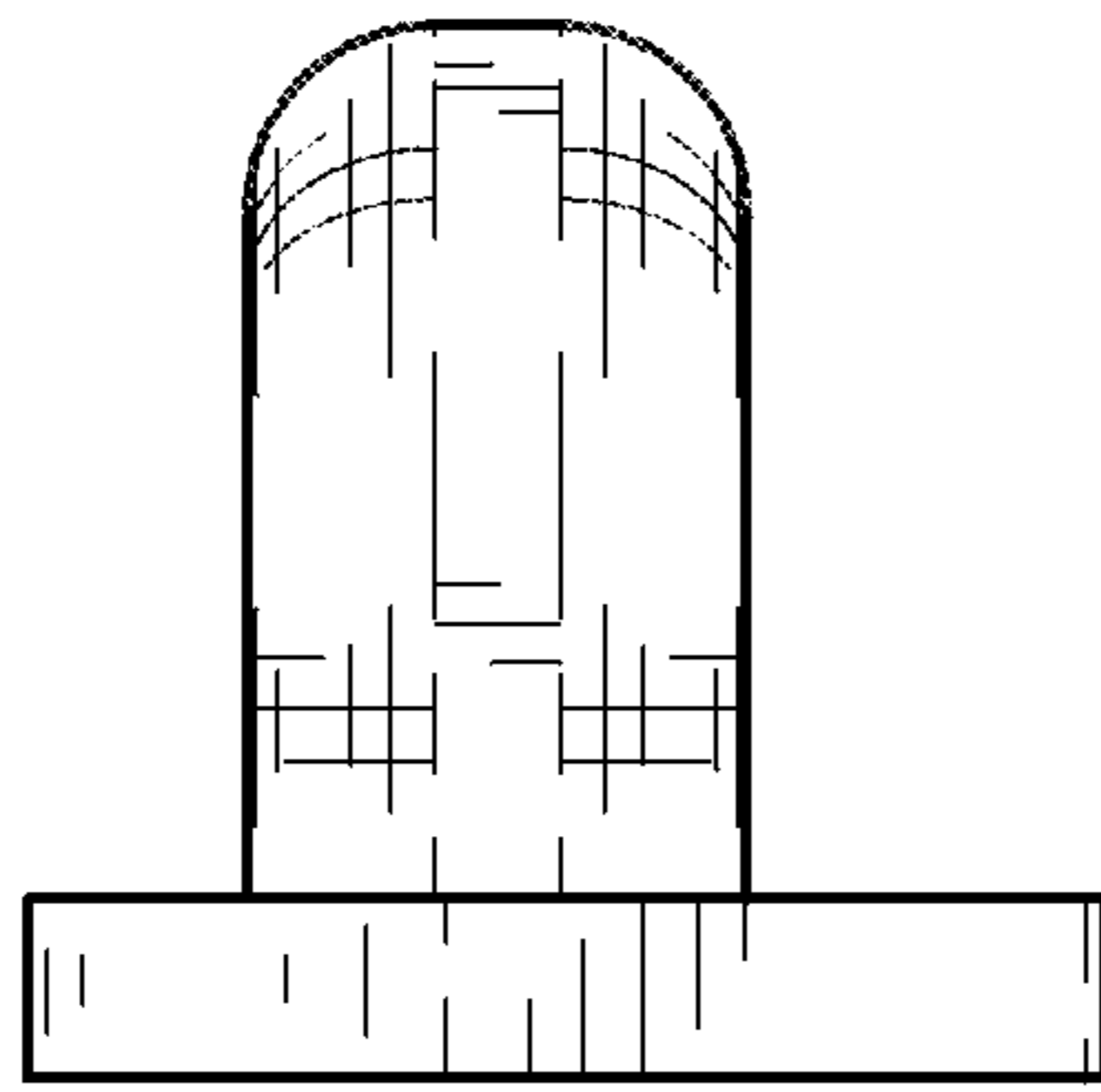


FIG. 9

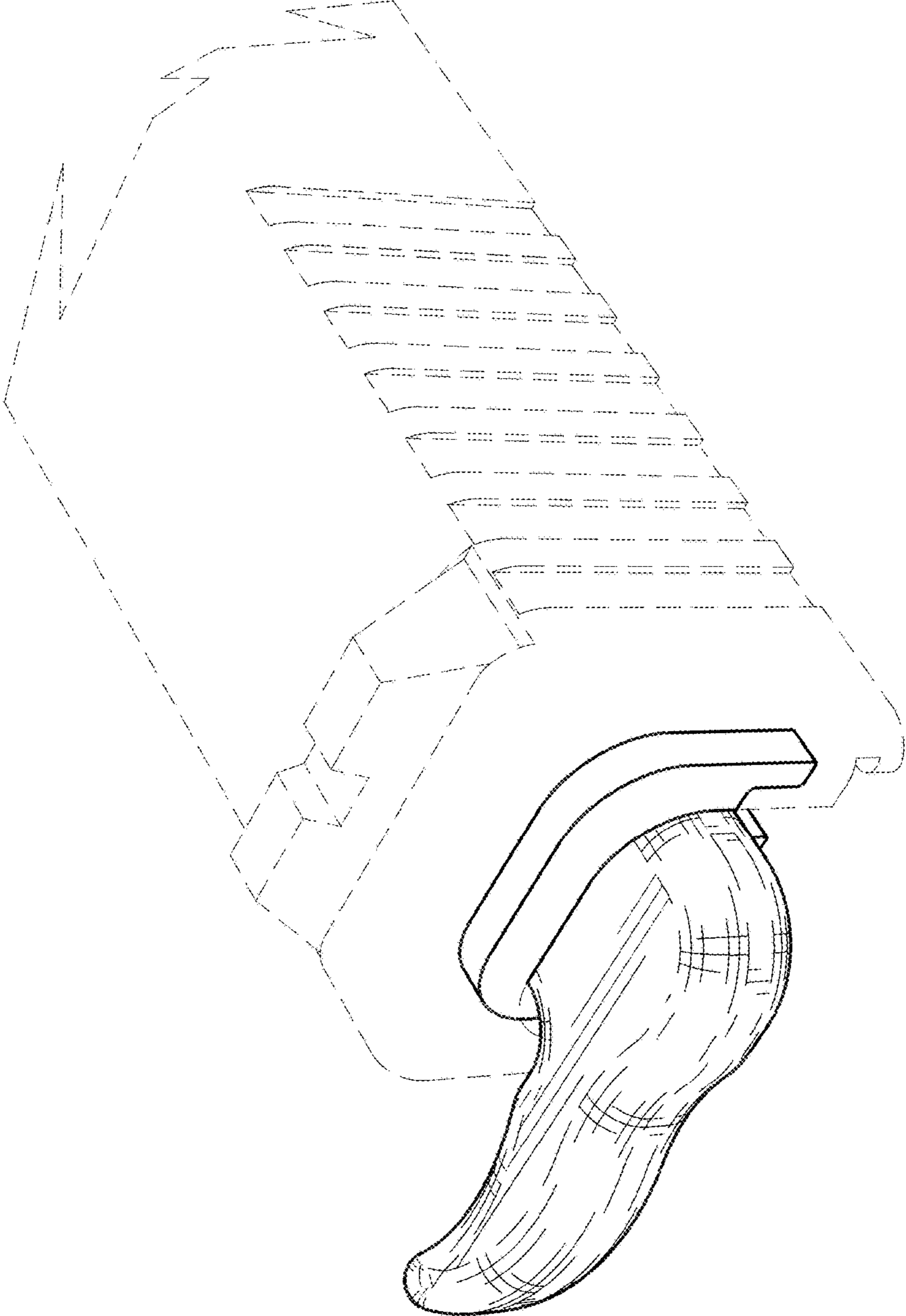


FIG. 10

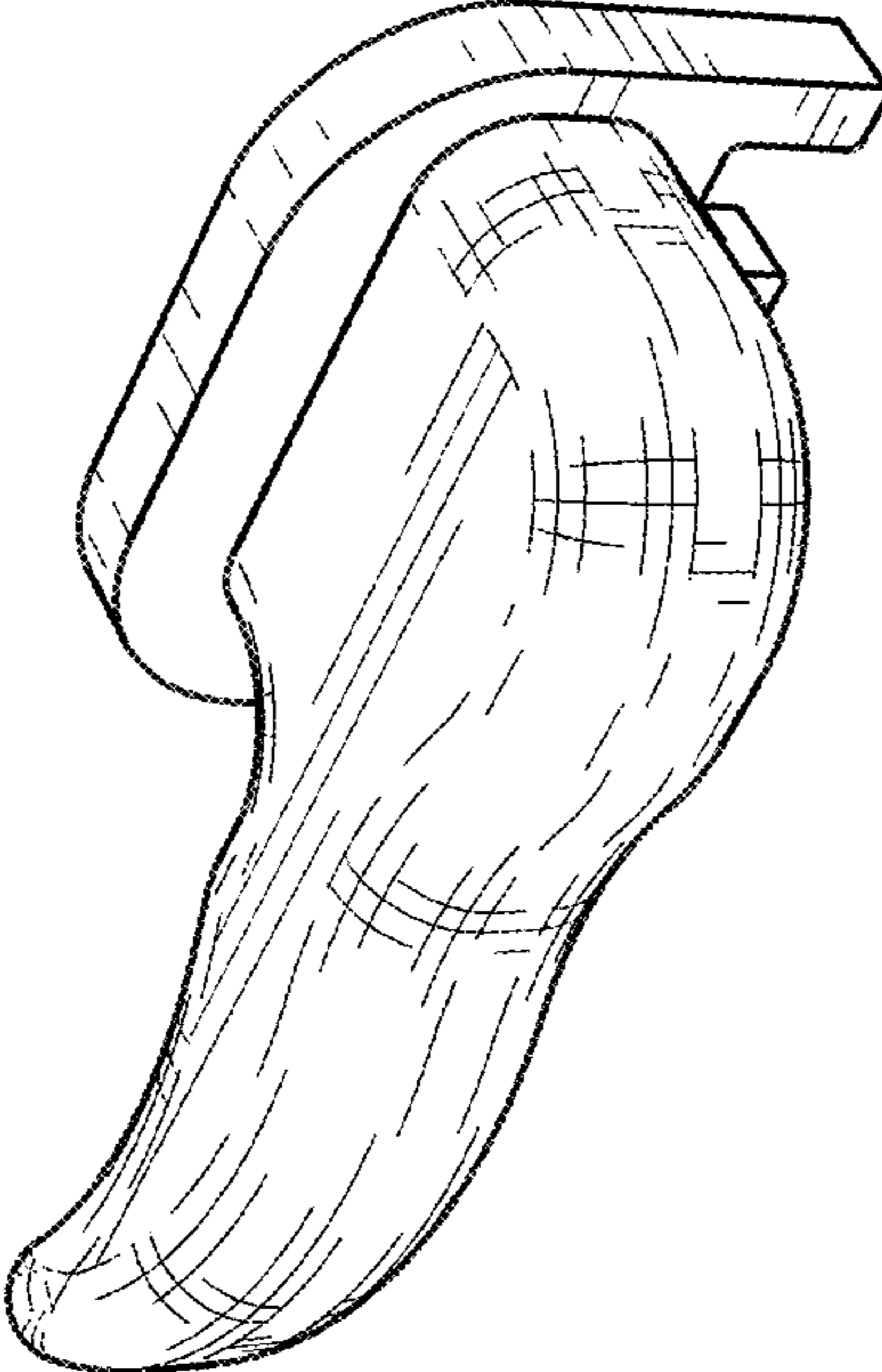


FIG. 11

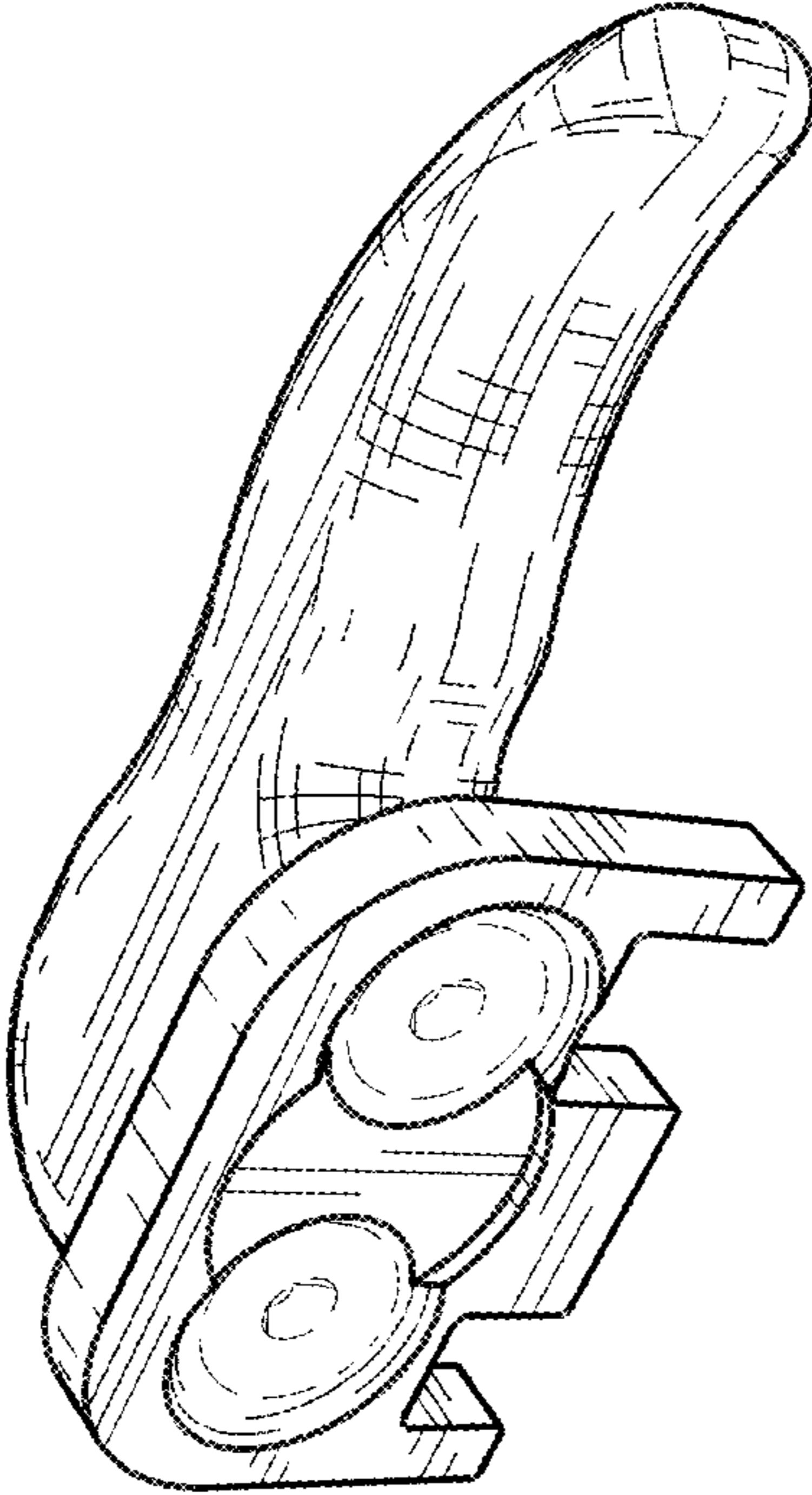


FIG. 12

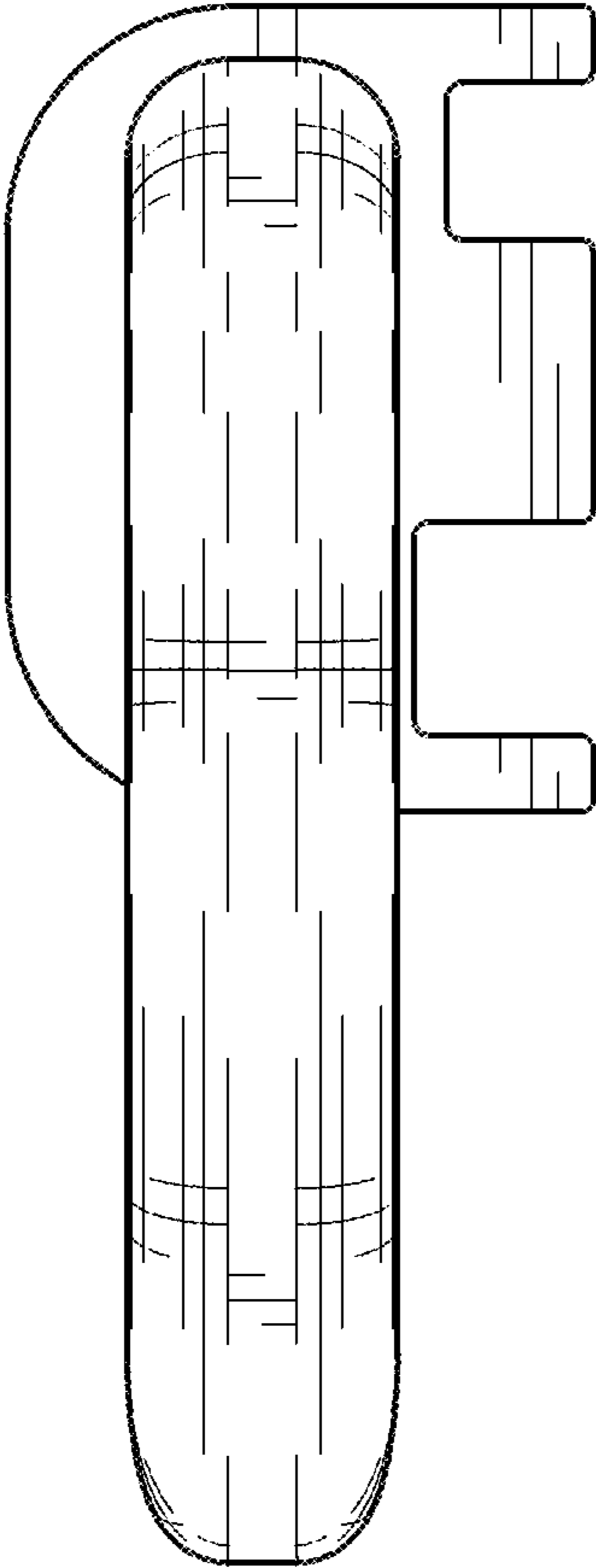


FIG. 13

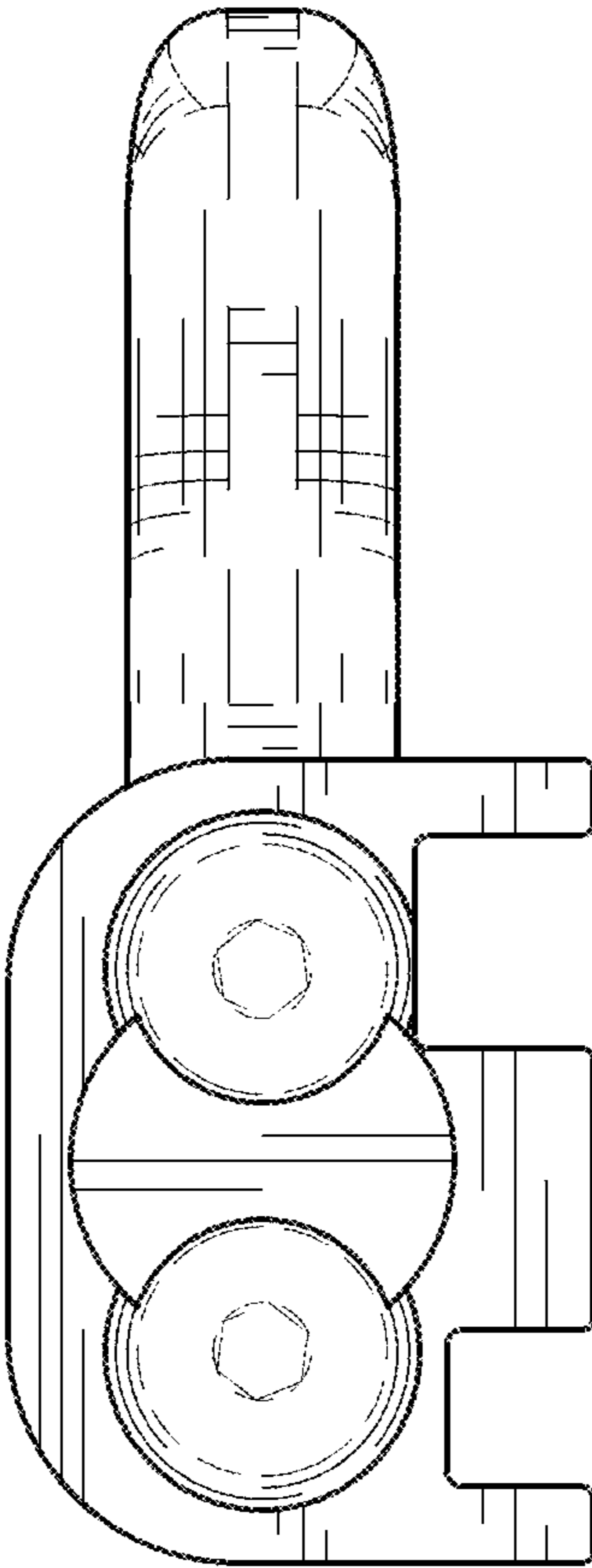


FIG. 14



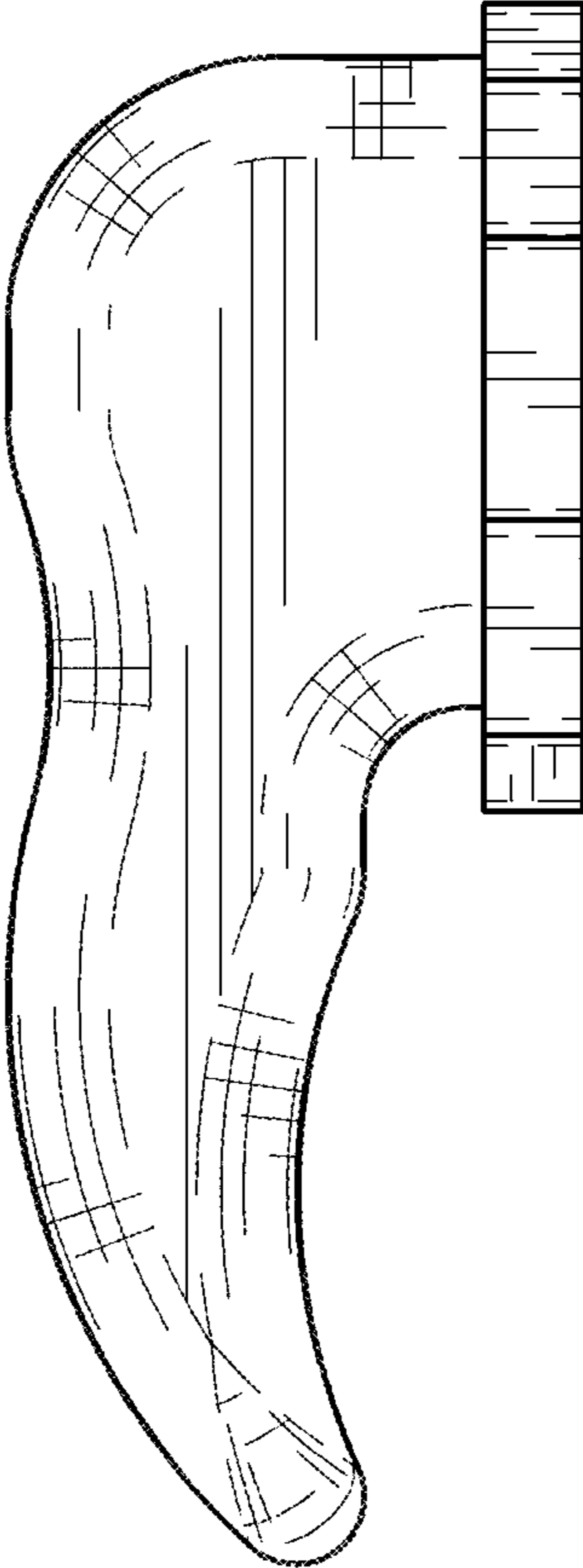


FIG. 15

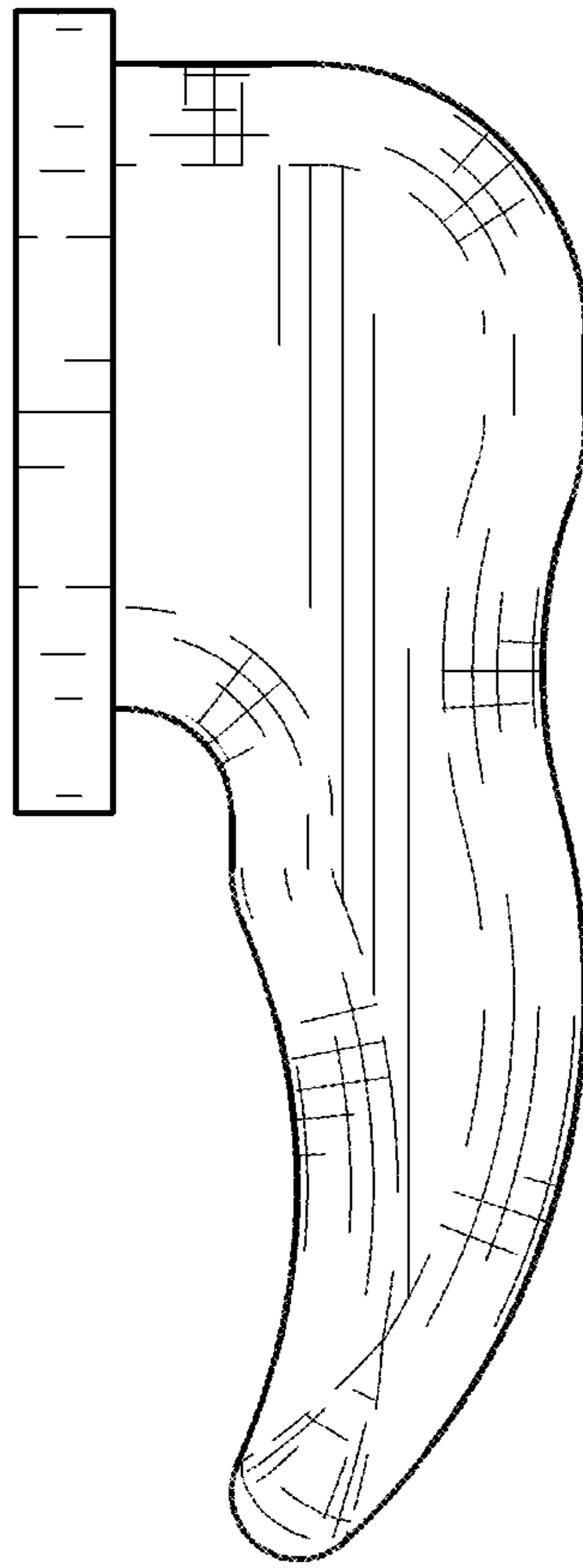


FIG. 16

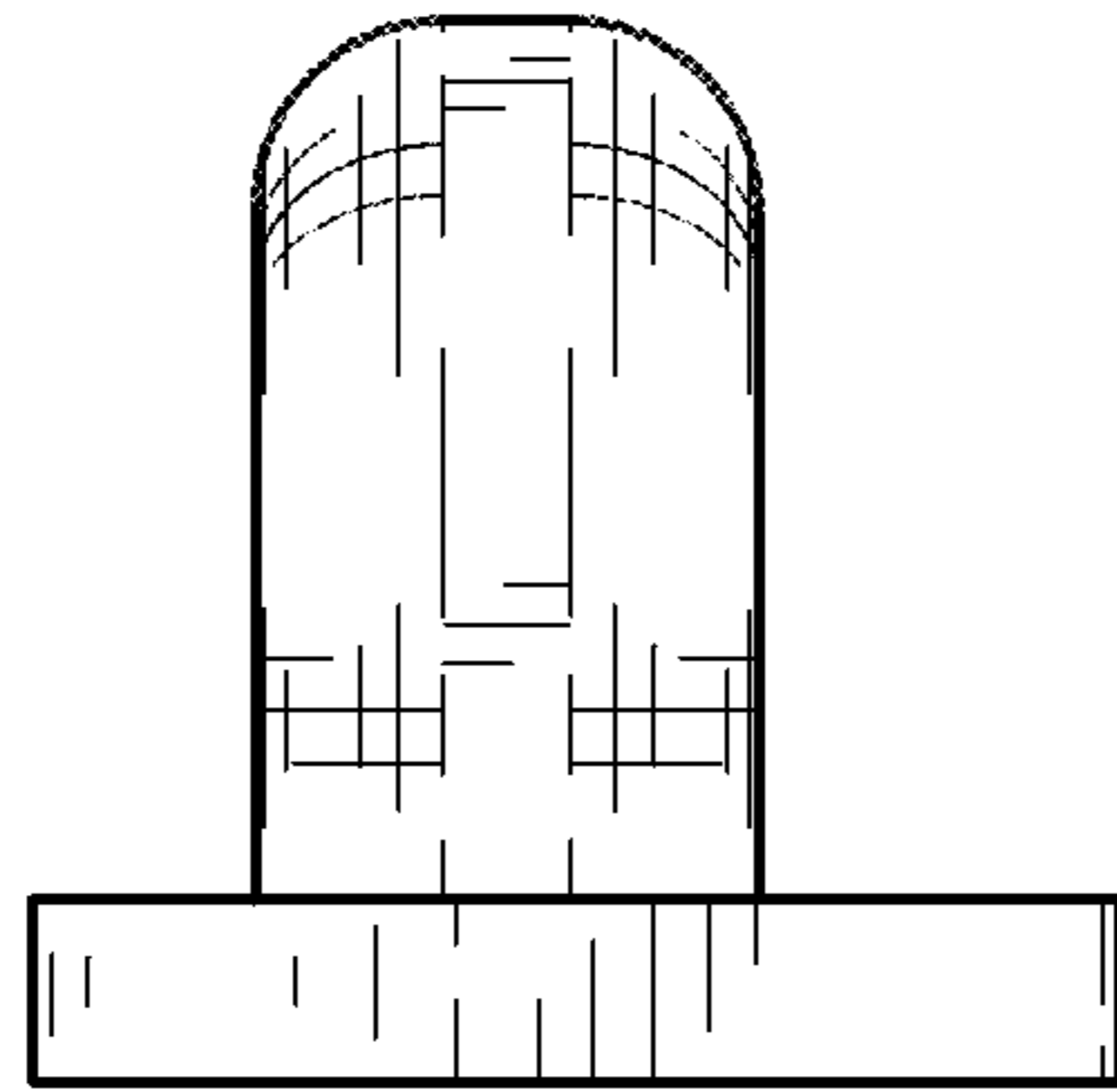


FIG. 17

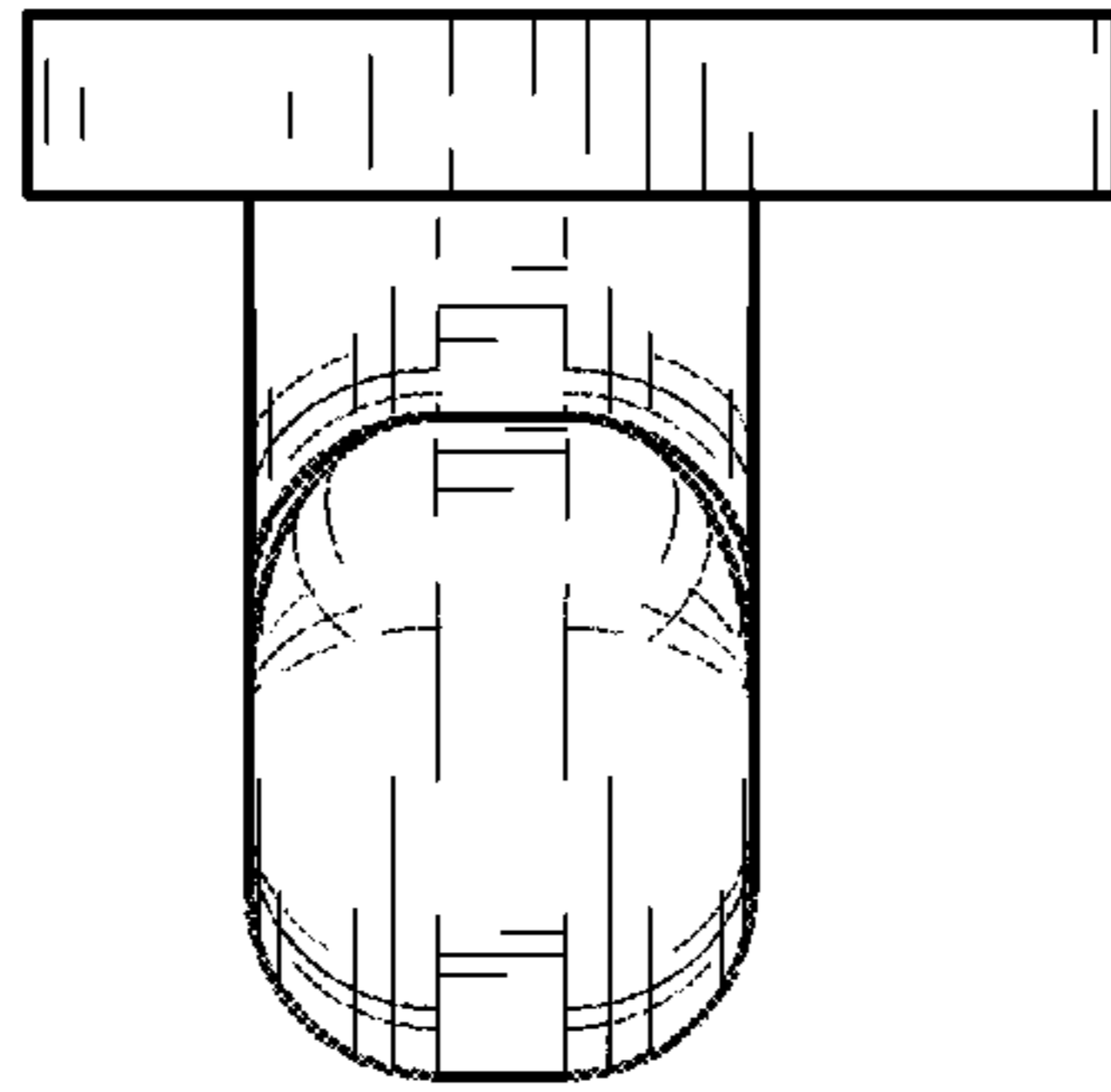


FIG. 18