



US00D789477S

(12) **United States Design Patent**  
**Sapio et al.**

(10) **Patent No.:** **US D789,477 S**  
(45) **Date of Patent:** **\*\* Jun. 13, 2017**

(54) **REVOLVER**

(71) Applicant: **Kimber IP, LLC**, Yonkers, NY (US)

(72) Inventors: **Daniel Edward Sapio**, Mount Vernon, NY (US); **Ronald Richard Dudzic, Jr.**, Tarrytown, NY (US); **Lee Griswold**, Bethel, CT (US); **Maureen Lincoln**, Yonkers, NY (US); **Lucio DiTrolio**, Mineola, NY (US)

(73) Assignee: **Kimber IP, LLC**, Yonkers, NY (US)

(\*\*) Term: **15 Years**

(21) Appl. No.: **29/551,849**

(22) Filed: **Jan. 18, 2016**

(51) **LOC (10) Cl.** ..... **22-01**

(52) **U.S. Cl.**  
USPC ..... **D22/104**

(58) **Field of Classification Search**  
USPC ..... D21/574; D22/104  
CPC ..... F41C 3/04; F41C 3/14; F41C 3/16  
See application file for complete search history.

(56) **References Cited**

**U.S. PATENT DOCUMENTS**

D299,674 S *	1/1989	Domian	.....	D22/104
D301,911 S *	6/1989	Ruger	.....	D22/104
4,934,081 A *	6/1990	Mooney	.....	F41C 3/14
				267/179
D587,778 S *	3/2009	Zajk	.....	D22/100
D721,154 S *	1/2015	Olmi	.....	D22/104
D749,182 S *	2/2016	Rothmann	.....	D22/104

**OTHER PUBLICATIONS**

YouTube-LegallyArmedAmerica, Kimber's K6s gives revolvers a good name!, Aug. 20, 2016, [site visited Dec. 3, 2016], Available on the Internet URL:<[https://www.youtube.com/watch?v=ZgYw\\_LMOi\\_k](https://www.youtube.com/watch?v=ZgYw_LMOi_k)>.\*

Smith & Wesson Model 640, [https://en.wikipedia.org/wiki/Smith\\_%26\\_Wesson\\_Model\\_640](https://en.wikipedia.org/wiki/Smith_%26_Wesson_Model_640), 1990.

Ruger's GP100 Match Champion, <https://www.americanrifleman.org/articles/2014/10/17/ruger-gp100-match-champion/>, Oct. 17, 2014.

Colt King Cobra Revolver 4 Inch Stainless, <http://reducerecoil.com/2014/12/colt-king-cobra-revolver-4inch-stainless/>, Dec. 12, 2014.

Colt King Cobra .357 Magnum Handgun—It's One Mean Snake, <http://www.groovyoutdoors.us/colt-king-cobra/>, Jan. 17, 2013.

Chiappa Rhino 6-Shot .357 Magnum Revolver for Concealed Carry (CCW) Applications, <http://www.defensereview.com/chiappa-rhino-6-shot-357-magnum-revolver-for-concealed-carry-ccw-applications/>, Aug. 26, 2010.

\* cited by examiner

*Primary Examiner* — Karen S Acker

*Assistant Examiner* — S. Bryan Reinholdt, Jr.

(74) *Attorney, Agent, or Firm* — Caesar Rivise, PC

(57) **CLAIM**

The ornamental design for a revolver, as shown and described.

**DESCRIPTION**

FIG. 1 is a front, top, left side perspective view of a revolver showing our new design;

FIG. 2 is a rear, bottom, right side perspective view thereof;

FIG. 3 is a front, elevation view thereof;

FIG. 4 is a rear elevation view thereof;

FIG. 5 is a left side, elevation view thereof;

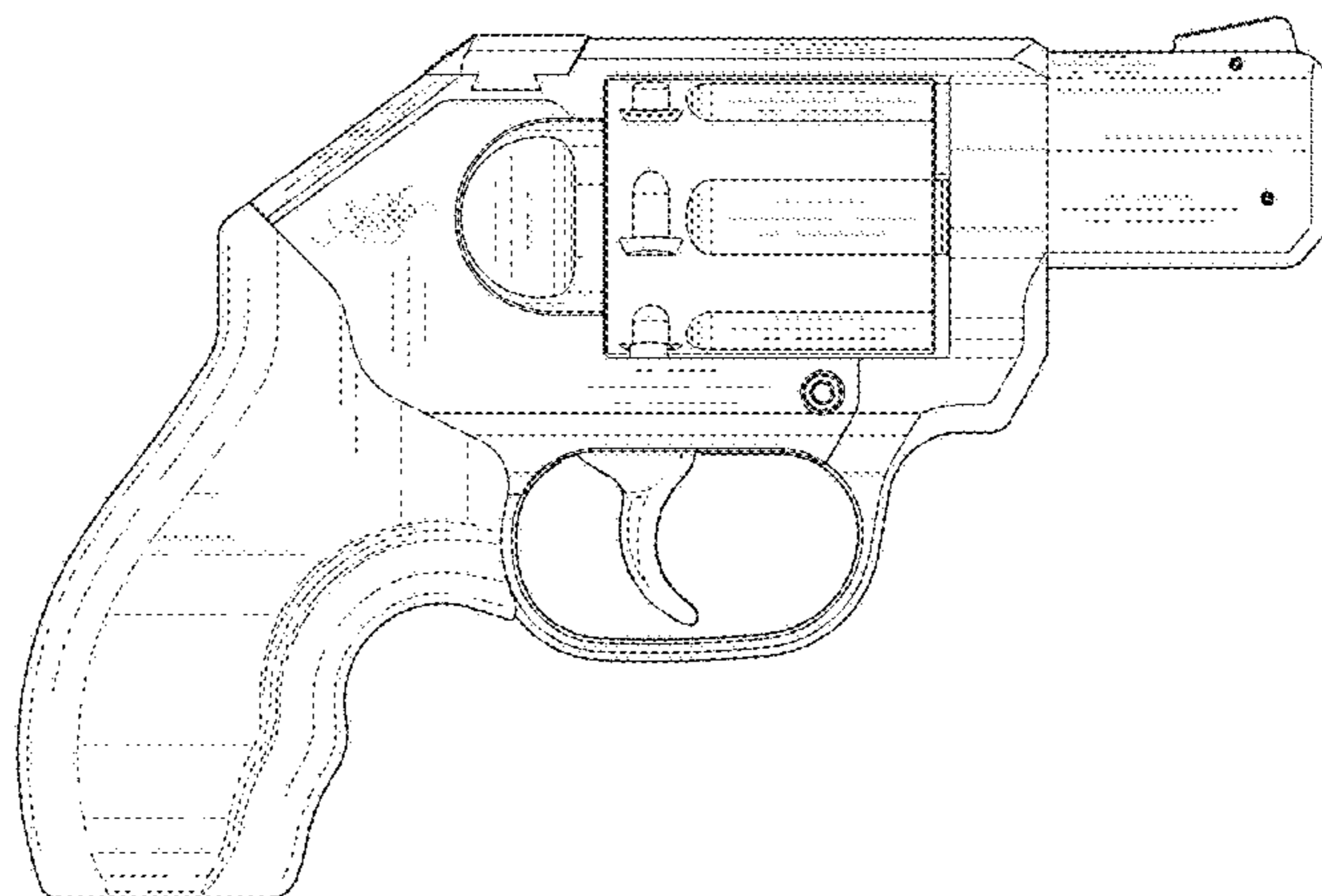
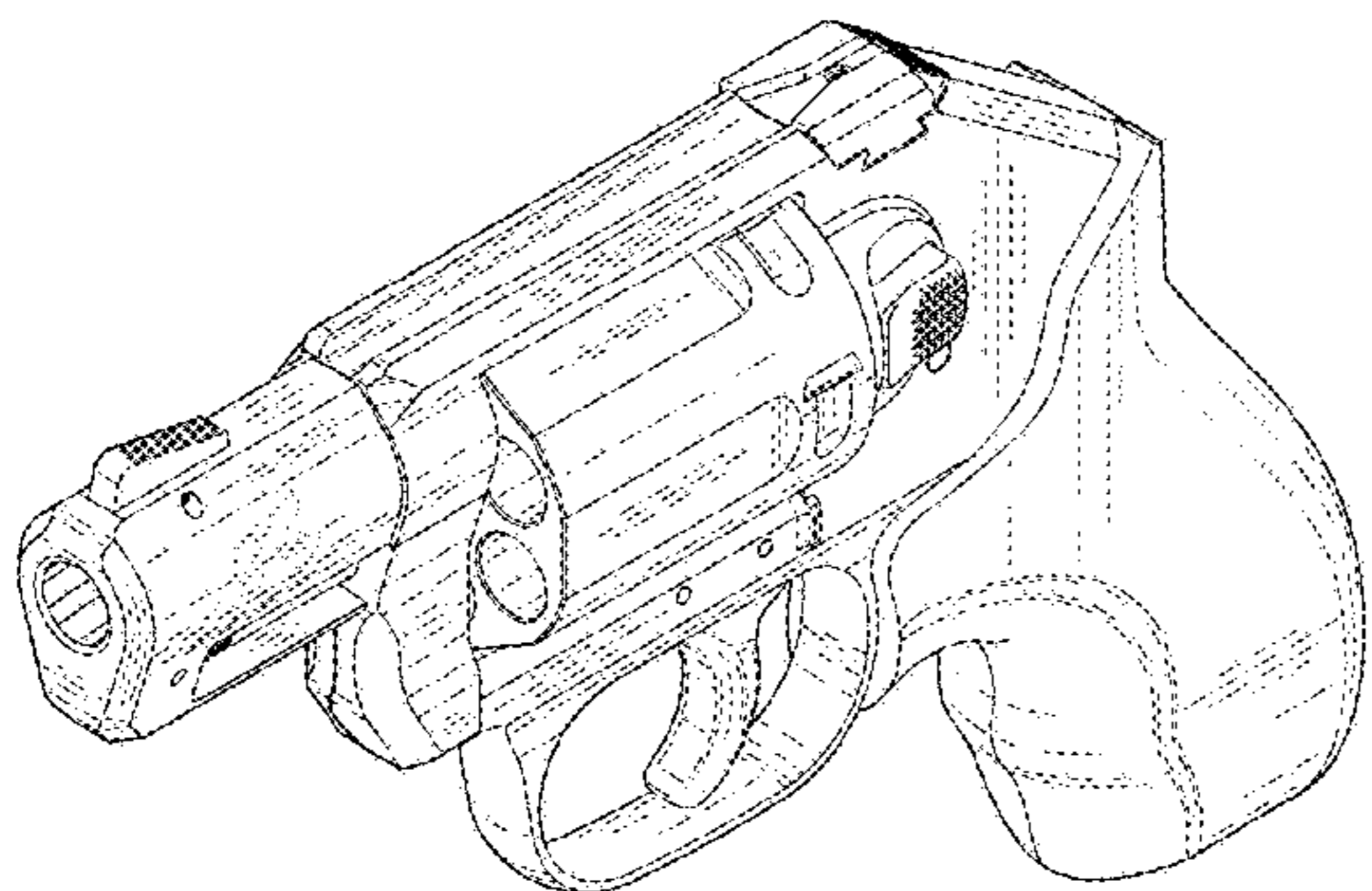
FIG. 6 is a right side, elevation view thereof;

FIG. 7 is a top, plan view thereof; and,

FIG. 8 is bottom, plan view thereof.

The broken-line disclosure is understood to represent portions of the article in which the claimed design is embodied, but which form no part of the claimed design.

**1 Claim, 8 Drawing Sheets**



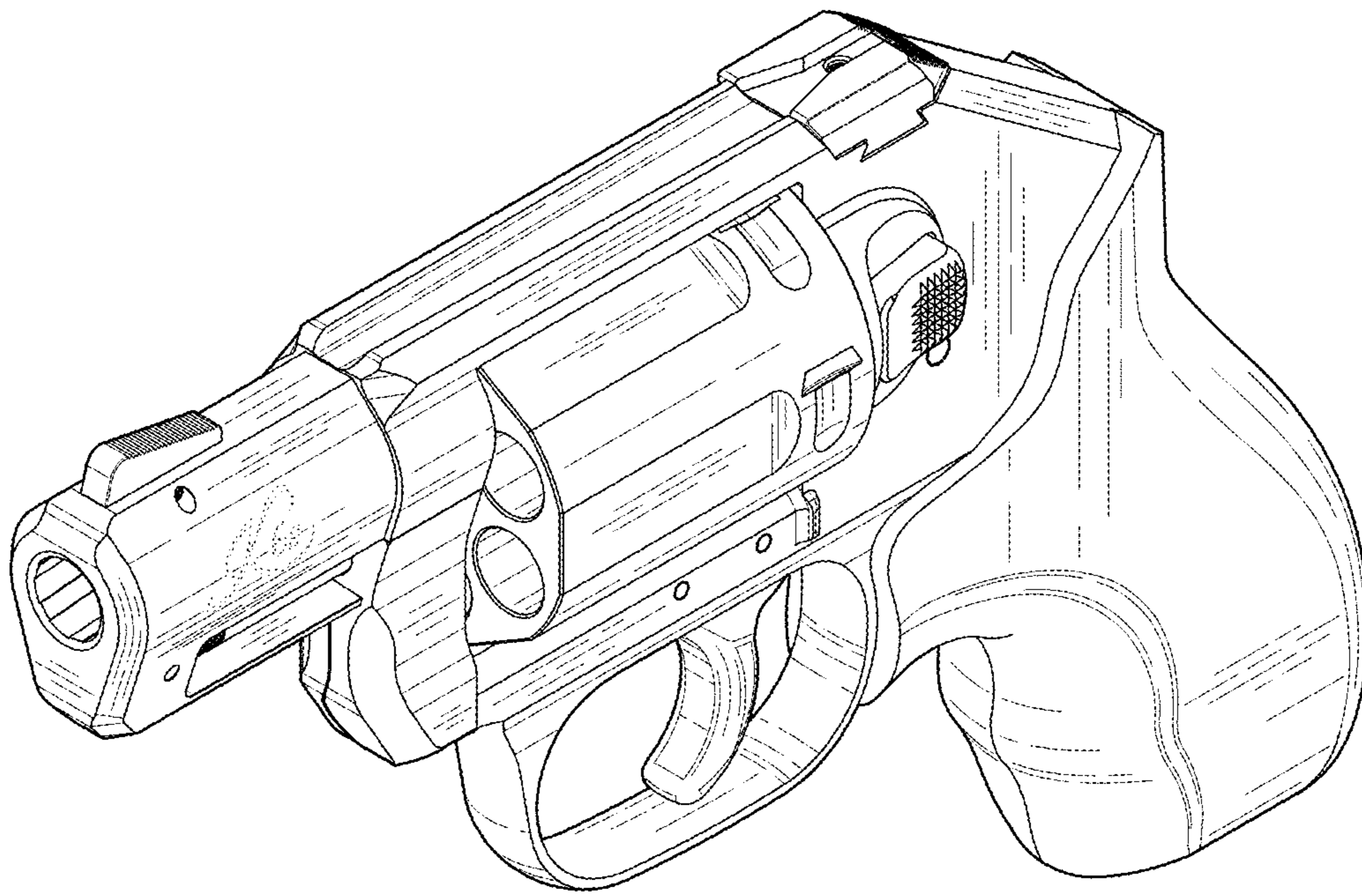


FIG. 1

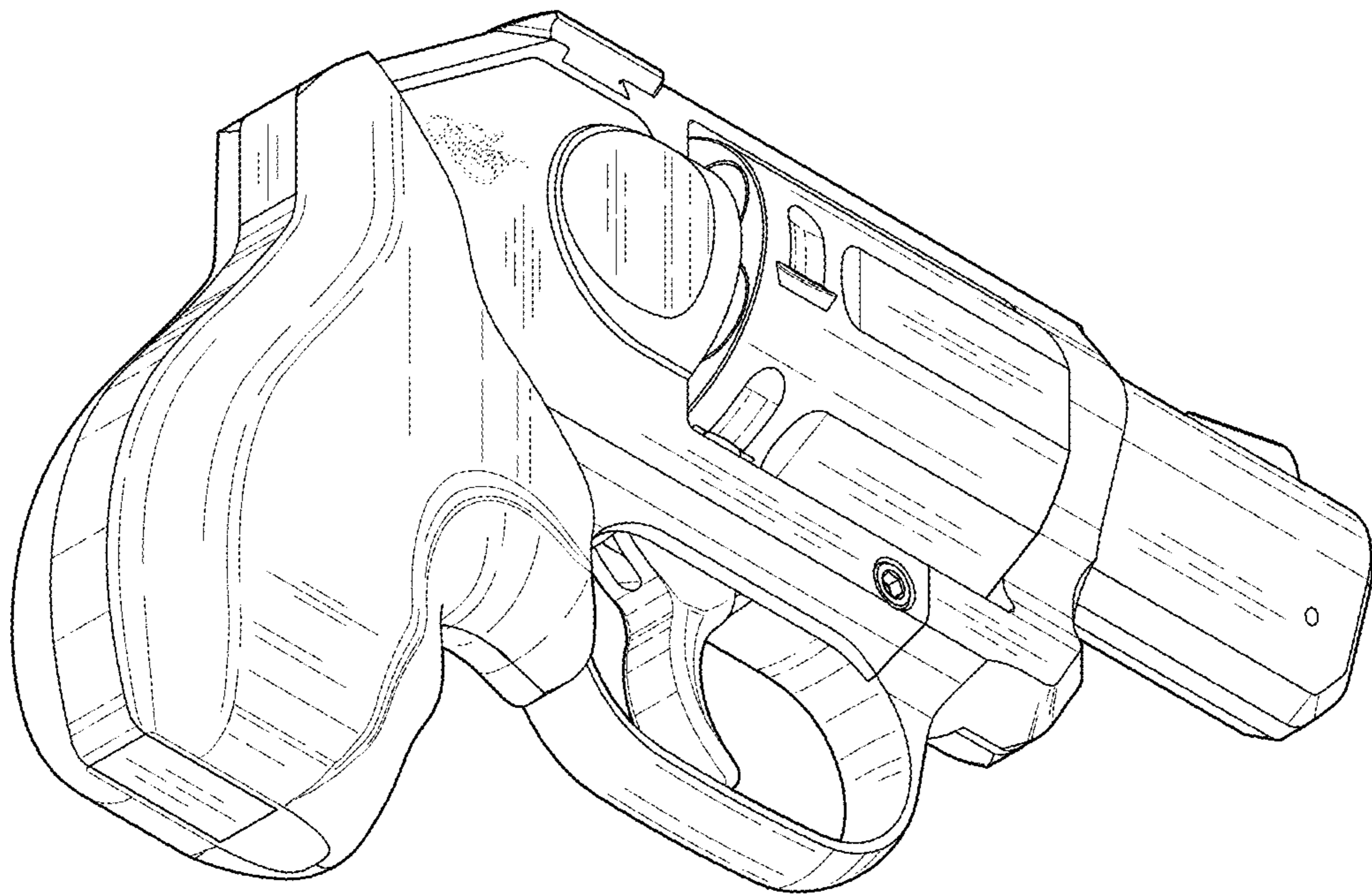


FIG. 2



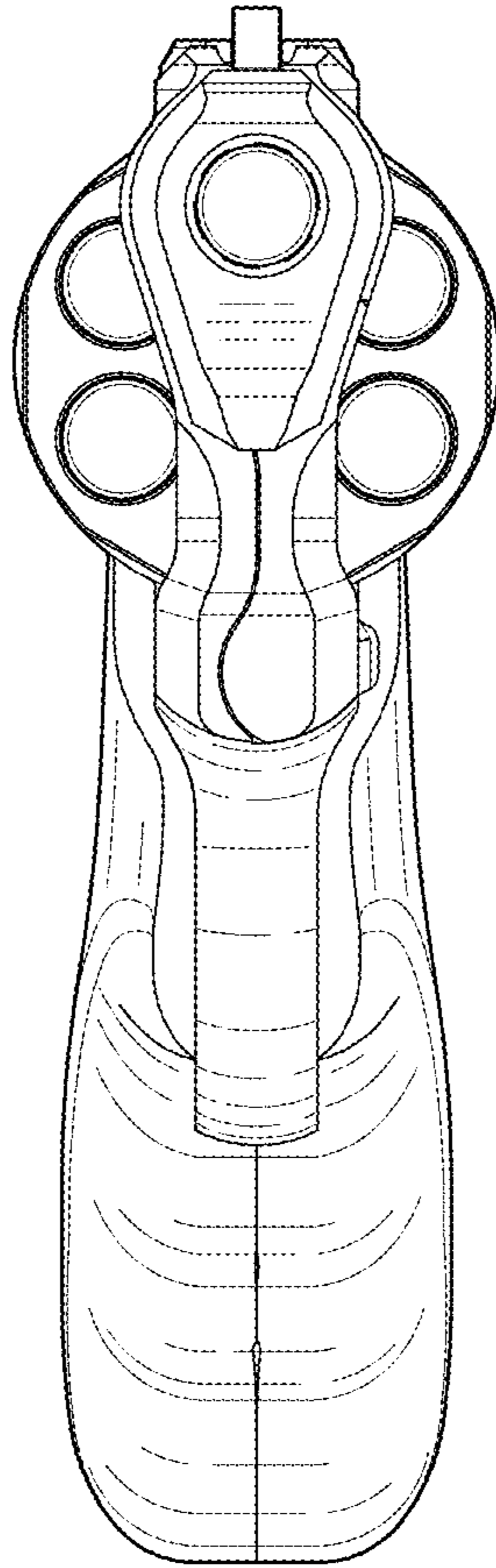


FIG. 3

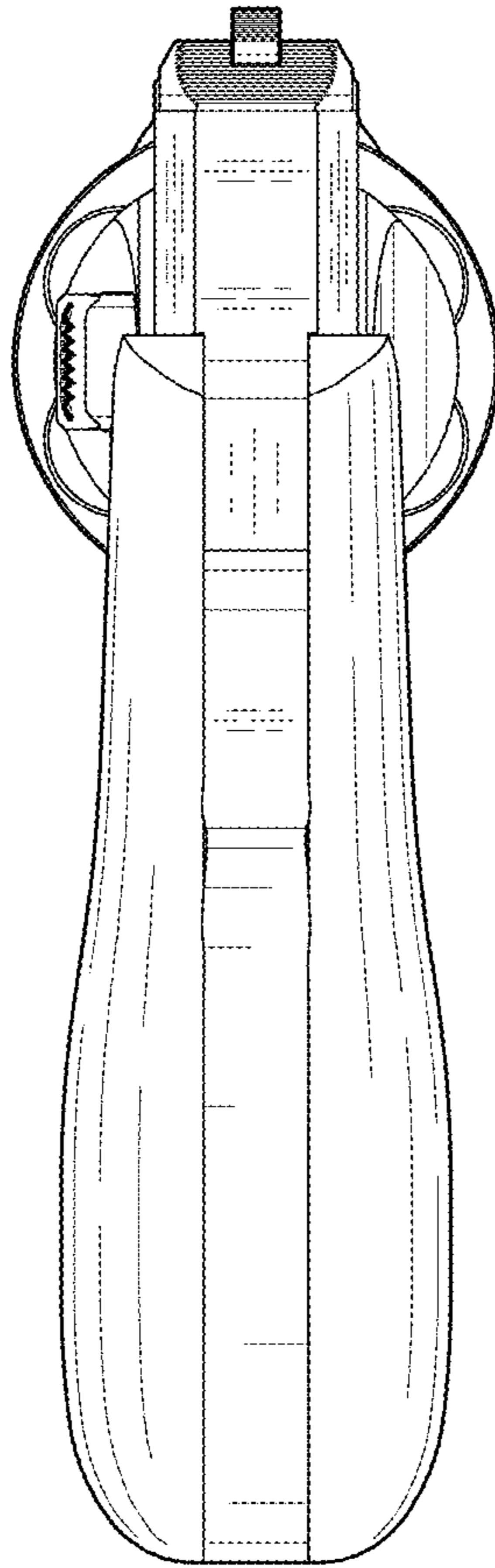


FIG. 4

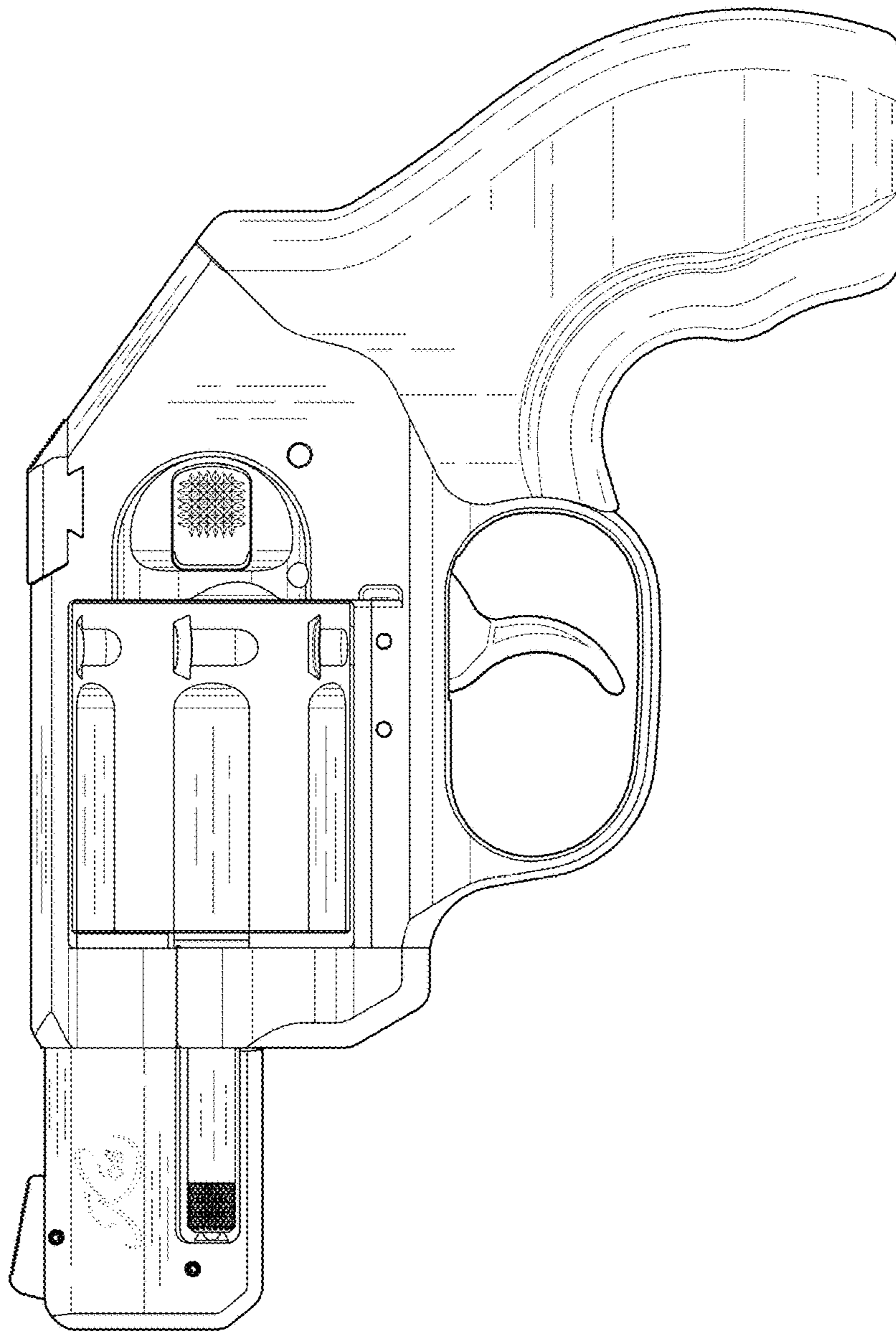


FIG. 5

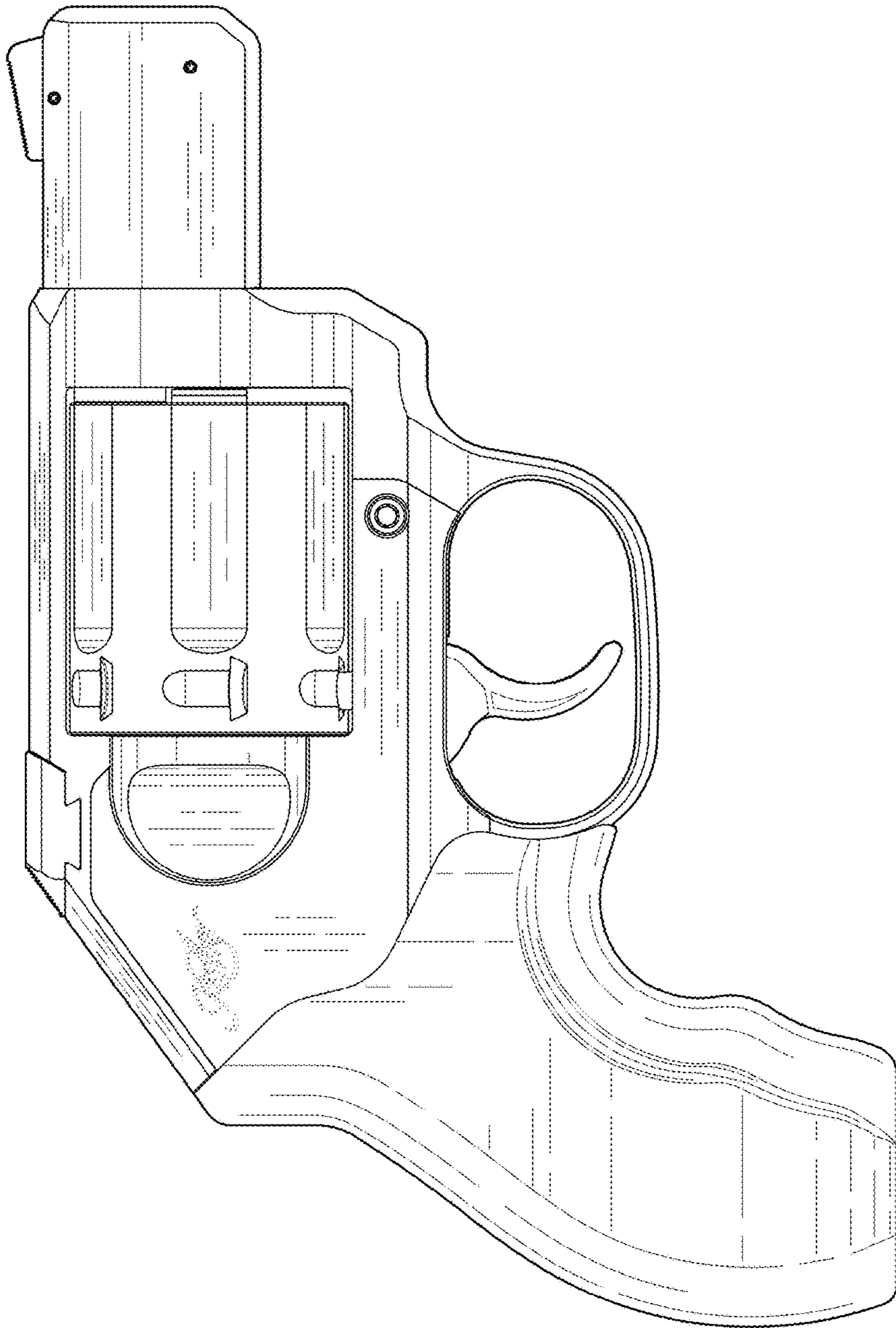


FIG. 6

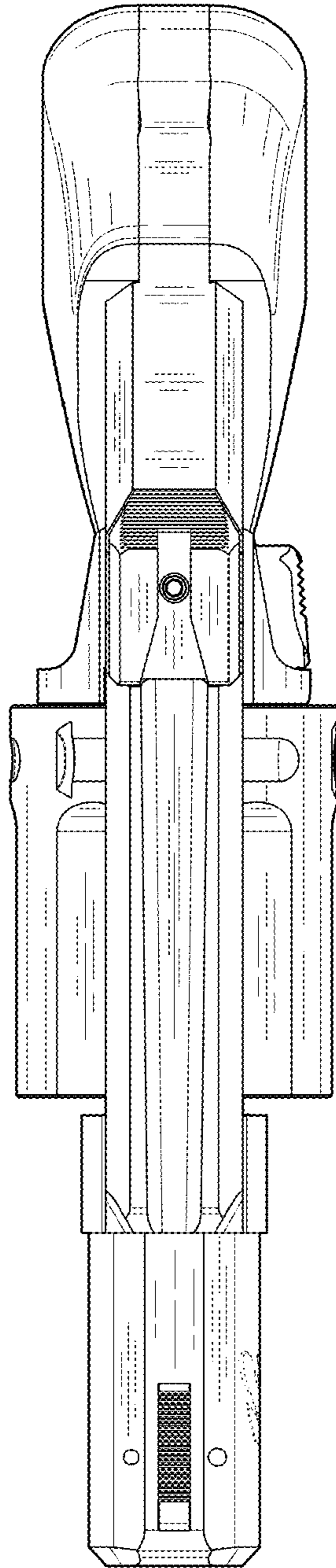


FIG. 7



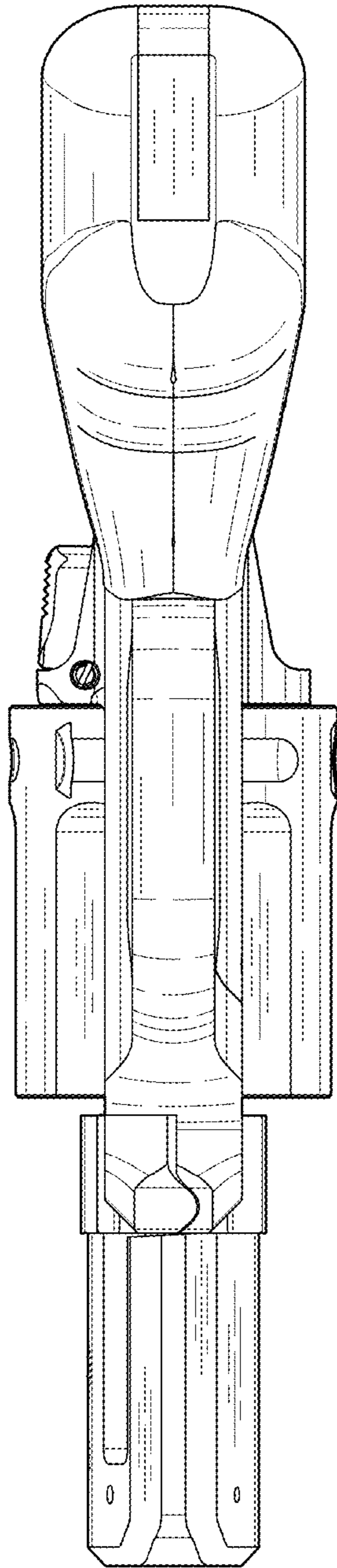


FIG. 8