



US00D789476S

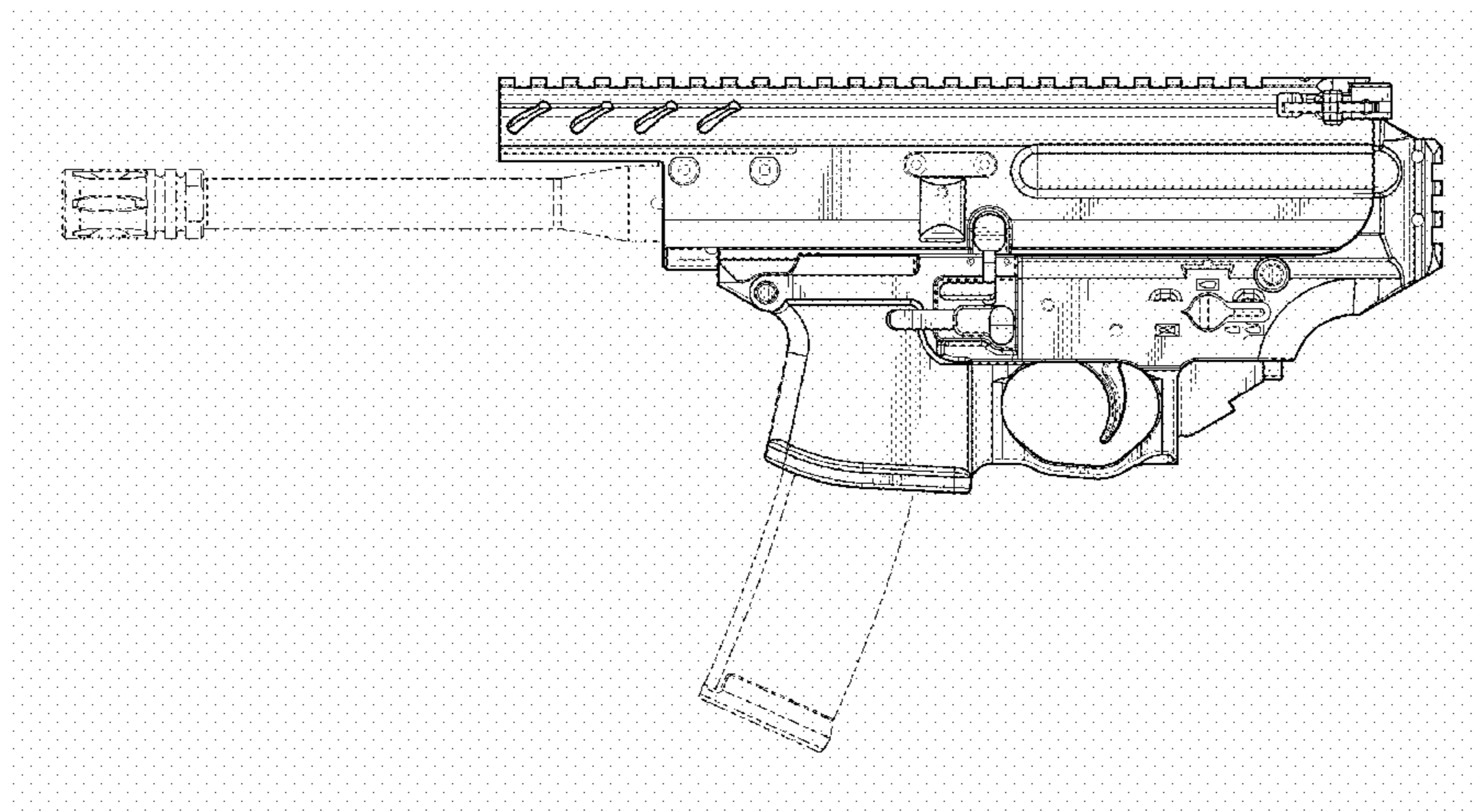
(12) **United States Design Patent** (10) **Patent No.:** **US D789,476 S**
Dustin et al. (45) **Date of Patent:** **** Jun. 13, 2017**

- (54) **SUBMACHINE GUN**
- (71) Applicant: **Sig Sauer, Inc.**, Newington, NH (US)
- (72) Inventors: **Bryan C. Dustin**, Strafford, NH (US);
David Steimke, Epping, NH (US);
Mark Wingate, New Durham, NH (US)
- (73) Assignee: **Sig Sauer, Inc.**, Newington, NH (US)
- (**) Term: **15 Years**
- (21) Appl. No.: **29/551,645**
- (22) Filed: **Jan. 15, 2016**
- (51) **LOC (10) Cl.** **22-01**
- (52) **U.S. Cl.**
USPC **D22/103**
- (58) **Field of Classification Search**
USPC D22/103, 108; D21/572-575
CPC F41A 9/01-9/79; F41A 3/00; F41A
17/00-17/38
See application file for complete search history.

D556,289 S	11/2007	Yu
7,418,797 B1	9/2008	Crose
D600,310 S	9/2009	Fitzpatrick et al.
D606,155 S	12/2009	Swan
D606,156 S	12/2009	Swan
D606,614 S	12/2009	Fitzpatrick et al.
D613,811 S	4/2010	Swan
D622,802 S	8/2010	Fitzpatrick et al.
7,793,452 B1	9/2010	Samson et al.
7,798,045 B1	9/2010	Fitzpatrick et al.
7,827,722 B1	11/2010	Davies
D636,044 S	4/2011	Larson et al.
D636,048 S	4/2011	Larson et al.
D639,376 S	6/2011	Ding
7,966,761 B1	6/2011	Kuczynko et al.
D641,062 S	7/2011	Faifer
D641,450 S	7/2011	Ding
D648,811 S	11/2011	En
8,061,072 B1	11/2011	Crose
8,091,265 B1	1/2012	Teetzal et al.
8,109,026 B1	2/2012	Bentley et al.
8,151,504 B1	4/2012	Aiston
8,201,353 B1	6/2012	Swan
8,245,429 B2	8/2012	Kuczynko et al.
D671,184 S	11/2012	Larson et al.
D674,859 S	1/2013	Robbins et al.
8,397,419 B2	3/2013	Williams
8,443,538 B1	5/2013	Moody
8,448,366 B2	5/2013	Faifer
8,522,467 B1	9/2013	Christensen et al.
D692,084 S	10/2013	Eberle
D692,517 S	10/2013	Faifer
D696,374 S	12/2013	Faifer
8,631,601 B2	1/2014	Langevin
D699,807 S	2/2014	Lee
8,667,882 B1	3/2014	Larson et al.
D702,792 S	4/2014	Burt et al.
8,726,558 B1	5/2014	Nason
D708,693 S	7/2014	Faxon
8,769,855 B2	7/2014	Law
8,806,792 B2	8/2014	Yan et al.
D714,413 S	9/2014	Kerbrat et al.
8,844,185 B2	9/2014	Jarboe
D716,403 S	10/2014	Burt et al.
D717,907 S	11/2014	Montes
D717,908 S	11/2014	Montes
8,904,691 B1	12/2014	Kincel
8,931,196 B1	1/2015	LaRue
D723,128 S	2/2015	Hu
D724,168 S	3/2015	Alis
D724,169 S	3/2015	Emde et al.
D724,171 S	3/2015	Trusty
D724,688 S	3/2015	Hirt et al.

(56) **References Cited**
U.S. PATENT DOCUMENTS

2,424,194 A	7/1947	Sampson et al.	
2,970,398 A	2/1961	Crouch	
3,201,887 A	8/1965	Sedelow	
3,369,316 A	2/1968	Miller	
3,488,488 A	1/1970	Crouch	
3,618,584 A	11/1971	Pigeon	
4,512,236 A	4/1985	Thevis et al.	
4,617,749 A	10/1986	Jurek	
4,735,007 A	4/1988	Gal	
D304,062 S	10/1989	Barrett	
5,209,215 A	5/1993	Morrison	
5,251,533 A *	10/1993	Layton	F41A 19/33 89/129.02
D344,124 S	2/1994	Cupp	
D410,988 S	6/1999	Hines	
5,983,774 A	11/1999	Mihaita	
D477,855 S	7/2003	Selvaggio	
6,839,998 B1	1/2005	Armstrong	
D510,401 S	10/2005	Murello et al.	



D725,213	S	3/2015	Hirt	
D725,219	S	3/2015	Hirt et al.	
D725,220	S	3/2015	Hirt et al.	
9,015,980	B2	4/2015	Shull	
D731,023	S	6/2015	Hirt et al.	
D733,223	S	6/2015	Chu	
D736,886	S	8/2015	Cheng et al.	
D744,054	S	11/2015	Peterson et al.	
D744,056	S	11/2015	Jammet	
D746,399	S	12/2015	Folkestad et al.	
9,273,926	B2	3/2016	Wood et al.	
9,297,609	B2	3/2016	Burt	
9,389,043	B1	7/2016	Zhang	
D764,620	S	8/2016	Packard et al.	
9,404,714	B2	8/2016	Langevin et al.	
9,423,216	B2	8/2016	Cheng et al.	
9,453,701	B2	9/2016	Simek	
2005/0108915	A1	5/2005	Kincel	
2006/0242880	A1	11/2006	Griffin	
2008/0028662	A1	2/2008	Abraham	
2009/0282718	A1	11/2009	Bartley	
2010/0186276	A1	7/2010	Herring	
2010/0319231	A1	12/2010	Stone et al.	
2011/0061281	A1	3/2011	Kapusta et al.	
2011/0247483	A1*	10/2011	Overstreet	F41A 9/70 89/138
2011/0283581	A1	11/2011	Freed	
2012/0017482	A1	1/2012	Chvala	
2012/0180354	A1	7/2012	Sullivan et al.	
2012/0198990	A1	8/2012	Brittin	
2013/0125442	A1	5/2013	Burruss, Jr.	
2013/0276341	A1	10/2013	Wells et al.	
2014/0026459	A1	1/2014	Yan et al.	
2014/0033590	A1	2/2014	Gomez	
2014/0075816	A1	3/2014	Larson et al.	
2014/0115939	A1	5/2014	Troy et al.	
2014/0130390	A1	5/2014	Geissele	
2014/0196346	A1	7/2014	Grimshaw et al.	
2014/0230298	A1*	8/2014	King, Jr.	F41A 21/00 42/16
2014/0260946	A1	9/2014	Gomez	
2015/0000171	A1*	1/2015	Roberts	F41A 3/66 42/75.03
2015/0168096	A1	6/2015	Miller et al.	
2015/0192385	A1	7/2015	Krebs	
2015/0241160	A1	8/2015	McGinty	
2015/0316347	A1	11/2015	Shea et al.	
2016/0054096	A1	2/2016	Dzwill	
2016/0084612	A1	3/2016	Robinson et al.	
2016/0169617	A1	6/2016	Daley	
2016/0178316	A1	6/2016	Miller et al.	
2016/0223286	A1	8/2016	Storch	
2017/0023328	A1*	1/2017	Irvin	F41C 23/04
2017/0038170	A1*	2/2017	Gomez	F41A 3/72
2017/0082385	A1*	3/2017	Orne, III	F41A 3/72

FOREIGN PATENT DOCUMENTS

CN 200968821 10/2007

OTHER PUBLICATIONS

NcSTAR AR-15 Carbine Extended KeyMod Handguard, Sportsmanguide.com [online], [site visited Sep. 15, 2016]. <URL: <http://www.sportsmanguide.com/product/index/ncstar-ar-15-carbine-extended-keymod-handguard?a=1817641>>, 4 pages.

Sig Sauer Introduces MPX, P226 Airguns, Tom McHale, Apr. 14, 2015, tacretailer.com [online], [site visited Sep. 15, 2016], <URL: <http://tacretailer.com/2015/04/14/sig-sauer-introduces-mpx-p226-airguns/>>, 7 pages.

MPX-P Pistol with SBX Pistol Stabilizing Brace, arnzenarms.com, [online], [site visited Sep. 15, 2016]. <URS: <http://arnzenarms.com/product/sig-sauer/self-defense/home-defense/home-defense-guns/home-defense-pistols/mpx-p-pistol-with-sbx-pistol-stabilizing-brace-9mm-8-inch-barrel-flip-up-sights-aluminum-keymod/>>, 6 pages.

Sig Sauer MPX post, SIGForum, sigforum.com, posted Jul. 3, 2014, 11:25 PM, [online], [site visited Sep. 15, 2016], <URL: <http://sigforum.com/eve/forums/a/tpc/f/320601935/m/4610068653/p/2/>>, 6 pages.

The SIG MPX Submachine Gun, Sig Sauer, Inc., Youtube.com, video published Apr. 9, 2015, [online], [site visited Sep. 15, 2016], <URL: <https://www.youtube.com/watch?v=Oc29poViVbg&feature=youtube.com>>, 1 page.

Sig Sauer MPX post, SigForum, sigforum.com, posted Jul. 3, 2014, 06:18 PM, [online], [site visited Sep. 15, 2016], <URL: <http://sigforum.com/eve/forums/a/tpc/f/320601935/m/4610068653/>>, 18 pages.

Omega Mfg AR-15 KeyMod Free Float 15" Extended Rifle Length Handguard Rail, Omega Manufacturing, Inc., omegamanufacturinginc.com [online], [site visited Sep. 15, 2016], <URL: http://www.omegamanufacturinginc.com/Omega-Mfg-AR-15-Key-Mod-KeyMod-Free-Float-15-Extended-Rifle-Length-Handguard-Rail_p_518.html>, 3 pages.

Sig Sauer X-Collapsible Stock for MCX MPX, Rainier Arms, [online], [site visited Sep. 30, 2016], <URL: <https://www.rainierarms.com/sig-sauer-x-collapsible-stock-for-mcx-mpx/>>, 2 pages.

Stock, Folding, MPX, 1913 Interface, [online], [site visited Sep. 30, 2016], <URL: <https://www.bullzie.com/product/stock-folding-mpx=1913-interface/>>, 5 pages.

Are these the new SIG 556 rifles for 2014?, Guns.com, by Max Slowik, posted Jan. 8, 2014, [online], [site visited Sep. 30, 2016], <URL: <http://www.guns.com/2014/01/08/new-sig-556-rifles-2014/>>, 8 pages.

Does any know if they plan to produce this version?, SIGforum.com, posted by bhead, posted Jan. 2, 2016 03:08 PM, [online], [site visited Sep. 30, 2016], <URL: <http://sigforum.com/eve/forums/a/tpc/f/320601935/m/4610068653/p/87/>>, 12 pages.

Collapsing/Telescoping Stock—MCX/MPX, SIG Sauer, SIG Store, [online], [site visited Sep. 30, 2016], <URL: <http://store.sigsauer.com/collapsing-telescoping-stock-mcx-mpx.html>>, 1 page.

SIG Sauer MPX (Update: Exclusive Non-NFA version P7), SIGforum, Found a picture with the folding stock, doesn't look half bad., posted by Andyb, posted Nov. 1, 2015 07:43 AM [online] [site visited Sep. 30, 2016], <URL: <http://sigforum.com/eve/forums/a/tpc/f/320601935/m/4610068653/9/55/>>, 8 pages.

MDM—SIG Sauer, Soldier Systems, entry posted Wednesday, Sep. 23, 2015 at 20:05 [online], [site visited Sep. 30, 2016], <URL: <http://soldiersystems.net/2015/09/23/mdm-sig-sauer/>>, 2 pages.

Thin Folding Stock, MCX, MPX, 1913 Interface, SIG Sauer, SIG Store, [online], [site visited Sep. 30, 2016], <URL: <http://store.sigsauer.com/thin-folding-stock-mcx-mpx-1913-interface-7856.html>>, 1 page.

WTS: Sig Sauer MCX/MPX Side Folding Stock, AR15.com, posted by thanatos8541, posted Nov. 3, 2015 8:07:01 PM EDT, [online], [site visited Sep. 30, 2016], <URL: <https://www.ar15.com/archive/topic.html?b=7&f=47&t=1485416>>, 2 pages.

For Sale: Sig MPX folding stock, Armslist.com, registered on Sep. 21, 2015, [online], [site visited Sep. 30, 2016], <URL: <http://www.armslist.com/posts/4879553/st-louis-missouri-gun-parts-for-sale-sig-mpx-folding-stock>>, 1 page.

Telescoping/Folding Stock for the SIG MPX and SIG MCX, SIG Sauer, Inc., Youtube, published on Dec. 11, 2015, [online], [site visited Sep. 30, 2016], <URL: <https://www.youtube.com/watch?v=4nayEomcEKg&feature=youtube>>.

SIG Sauer Telescoping/Folding Stock, MCX, MPX, BLK, SIG Sauer, SIG Store, [online], [site visited Sep. 30, 2016], <URL: <http://store.sigsauer.com/sig-sauer-side-folding-and-telescoping-stock-mcx-mpx.html>>, 1 page.

MDM—SIG Sauer, Soldier Systems, entry posted Wednesday, Sep. 23, 2015 at 20:05, [online], [site visited Sep. 30, 2016], <URL: <http://soldiersystems.net/2015/09/23/mdm-sig-sauer/>>, 2 pages.

Here's what I received today. Definitely not the original stock they listed., SIGforum.com, posted by bhead, posted Jan. 2, 2016 02:57 PM, [online], [site visited Sep. 30, 2016]. <URL: <http://sigforum.com/eve/forums/a/tpc/f/320601935/m/4610068653/p/87>>, 12 pages.

* cited by examiner

Primary Examiner — Michael A Pratt
(74) Attorney, Agent, or Firm — Finch & Maloney PLLC

(57) **CLAIM**

The ornamental design for a submachine gun, as shown and described.

DESCRIPTION

FIG. 1 is a left elevation view of a submachine gun showing the design;
FIG. 2 is a right elevation view thereof;
FIG. 3 is a rear elevation view thereof;
FIG. 4 is a front elevation view thereof;
FIG. 5 is a top plan view thereof;
FIG. 6 is a bottom plan view thereof; and,
FIG. 7 is a rear perspective view thereof.
Broken lines in the drawings are for the purpose of illustrating environmental structure and form no part of the claimed design.

1 Claim, 5 Drawing Sheets

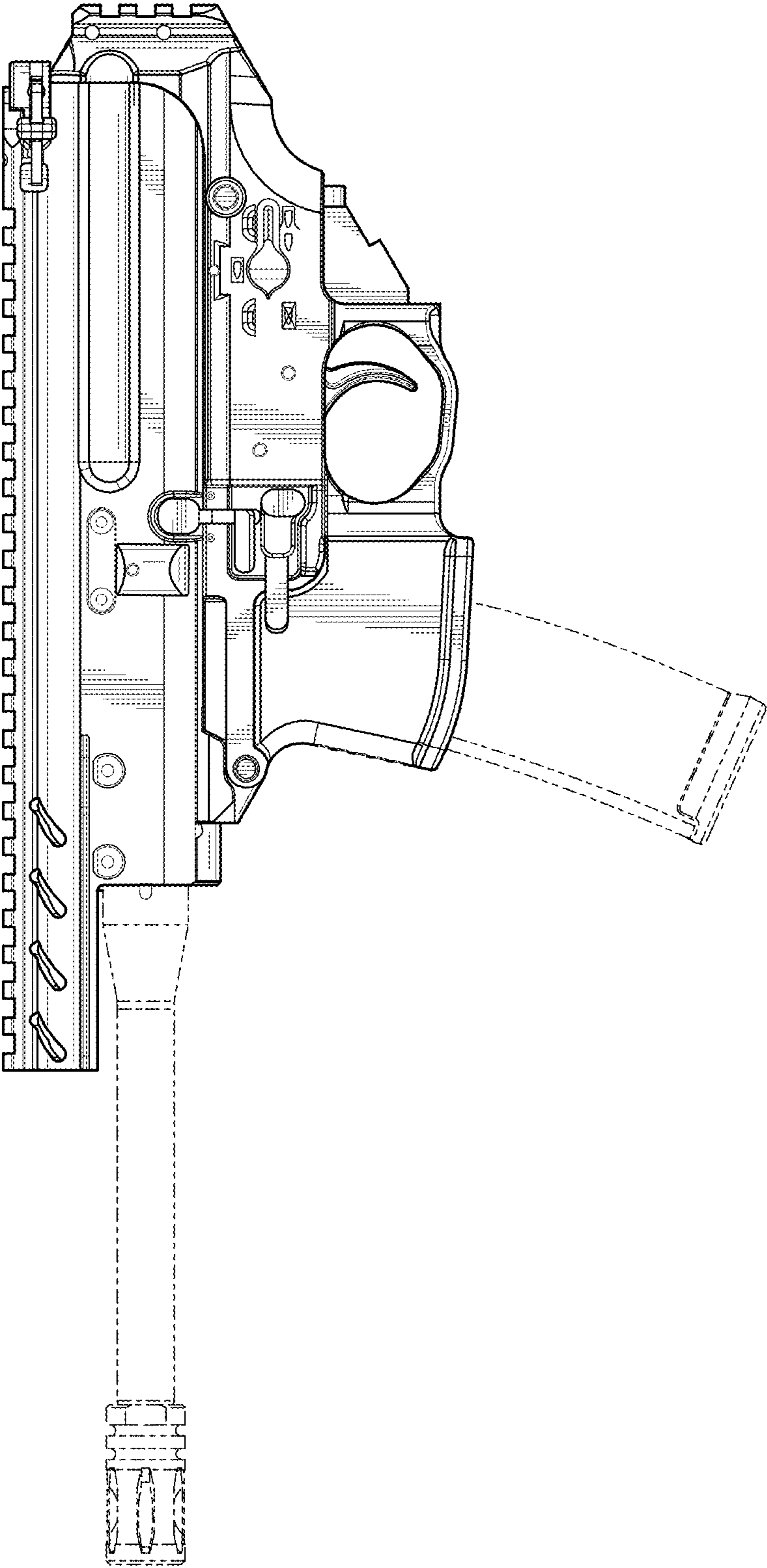


FIG. 1

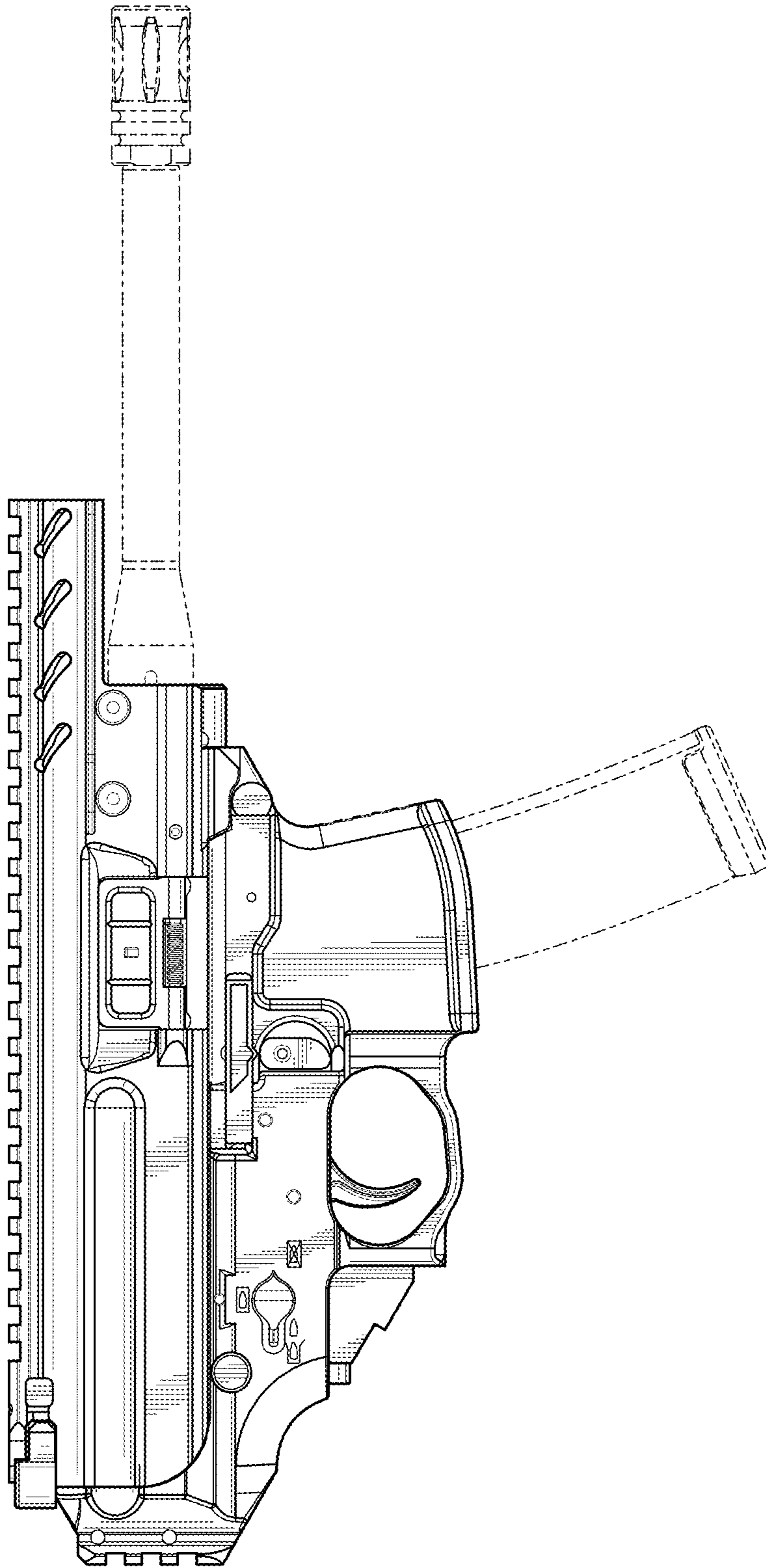


FIG. 2

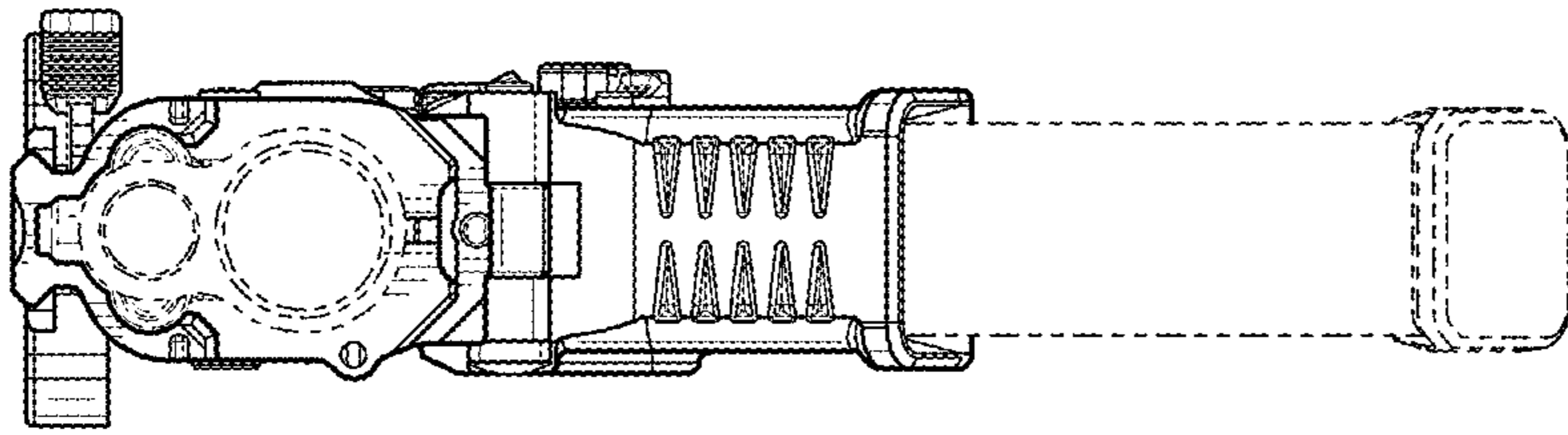


FIG. 4

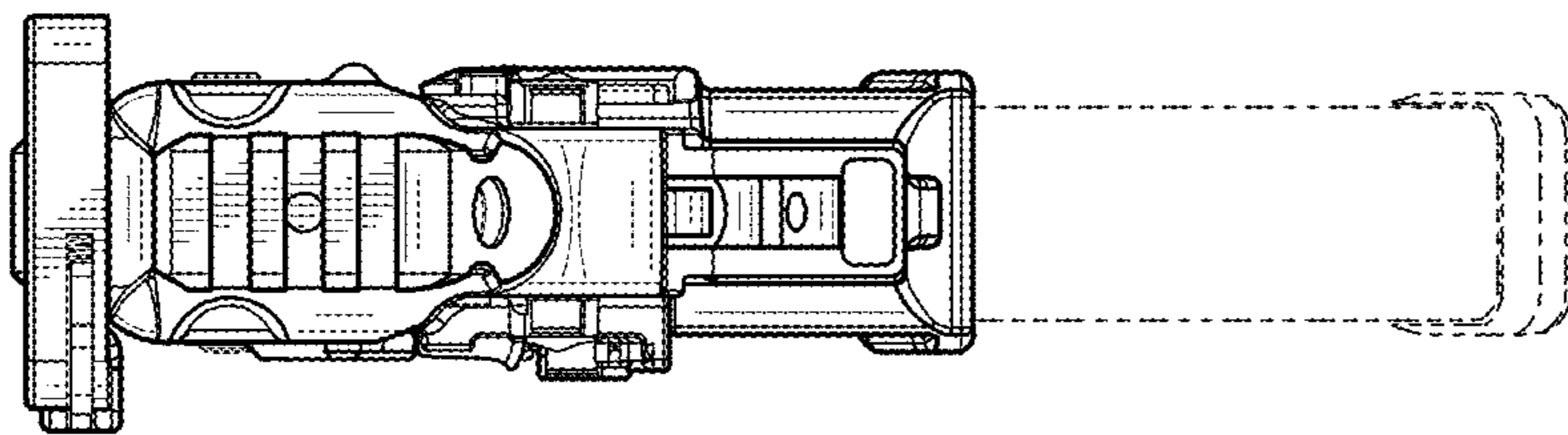


FIG. 3

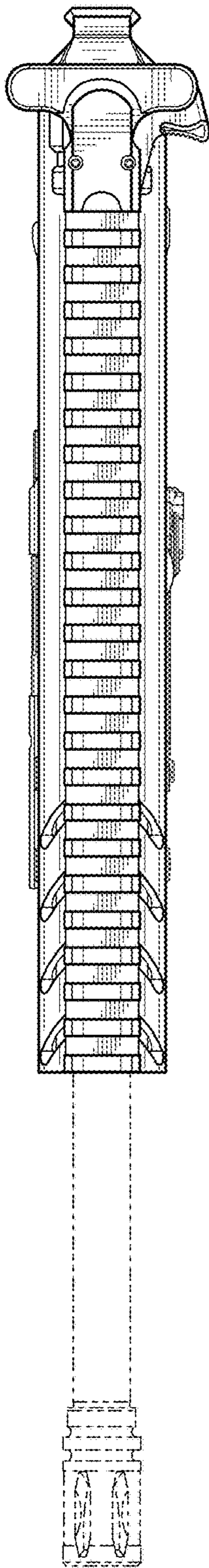


FIG. 5

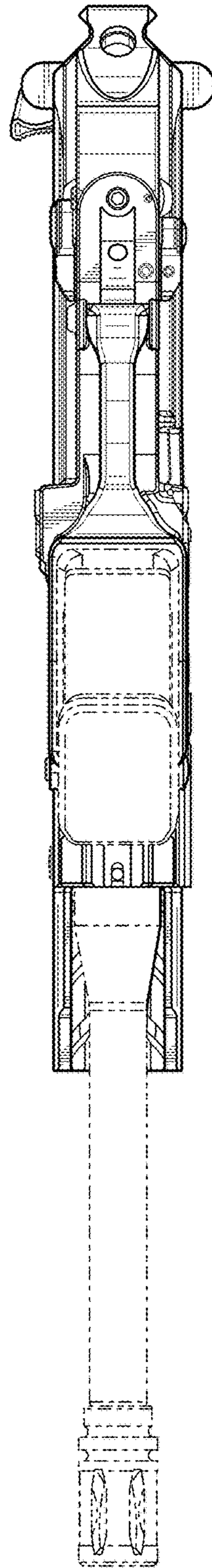


FIG. 6

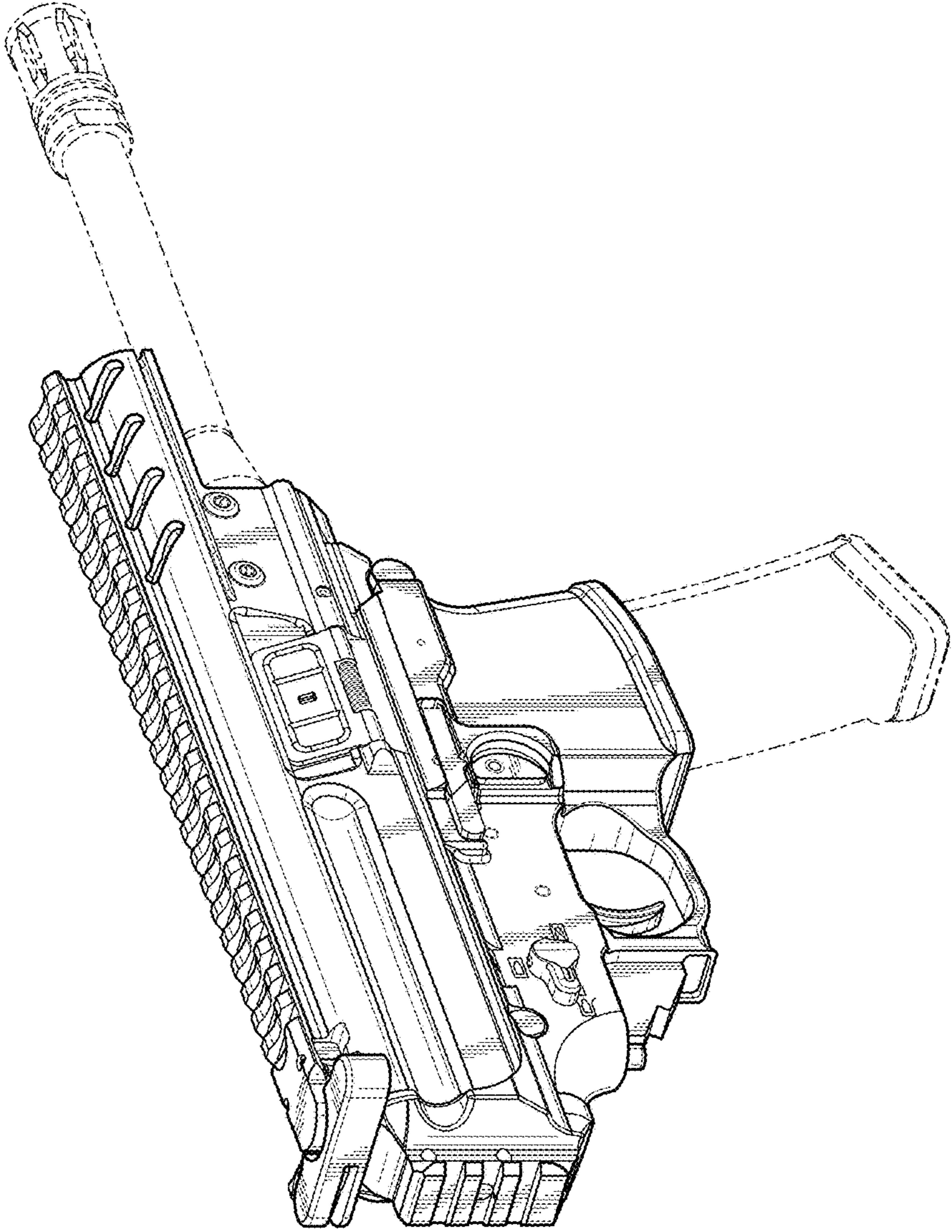


FIG. 7