



US00D789473S

(12) **United States Design Patent**  
**Bean**

(10) **Patent No.:** **US D789,473 S**  
(45) **Date of Patent:** **\*\* Jun. 13, 2017**

(54) **SURFACE ORNAMENTATION FOR GOLF PUTTING AIDE**

D632,749 S \* 2/2011 Montgomery ..... D21/791  
D635,214 S \* 3/2011 Johansen ..... D21/791  
D672,001 S \* 12/2012 Whitfield ..... D21/791  
D720,827 S \* 1/2015 Hiroki ..... D21/791

(71) Applicant: **Cory Bean**, Castle Rock, CO (US)

\* cited by examiner

(72) Inventor: **Cory Bean**, Castle Rock, CO (US)

*Primary Examiner* — Mitchell Siegel  
(74) *Attorney, Agent, or Firm* — Dunlap Bennett & Ludwig PLLC

(\*\*) Term: **15 Years**

(21) Appl. No.: **29/562,492**

(22) Filed: **Apr. 26, 2016**

(57) **CLAIM**

(51) **LOC (10) Cl.** ..... **21-02**

The ornamental design for a surface ornamentation for golf putting aide, as shown and described.

(52) **U.S. Cl.**

USPC ..... **D21/791**

(58) **Field of Classification Search**

**DESCRIPTION**

USPC ..... D21/789, 791, 792; D20/10, 11  
CPC ..... A63B 24/0003; A63B 69/3676; A63B  
69/3641; A63B 2071/0694; A63B  
69/3608; A63B 69/3661; A63B 69/3667;  
A63B 69/3697

FIG. 1 is a top perspective view of a surface ornamentation for golf putting aide;  
FIG. 2 is a front elevation view of FIG. 1, the rear elevation view being a mirror image thereof;  
FIG. 3 is a left side elevation view of FIG. 1, the right side elevation view being a mirror image thereof;  
FIG. 4 is a top plan view of FIG. 1; and,  
FIG. 5 is a bottom plan view of FIG. 1.

See application file for complete search history.

The uneven boundary lines represent the bounds to the claimed design, while the other broken lines shown in the drawings depict environmental structure that form no part of the claimed design.

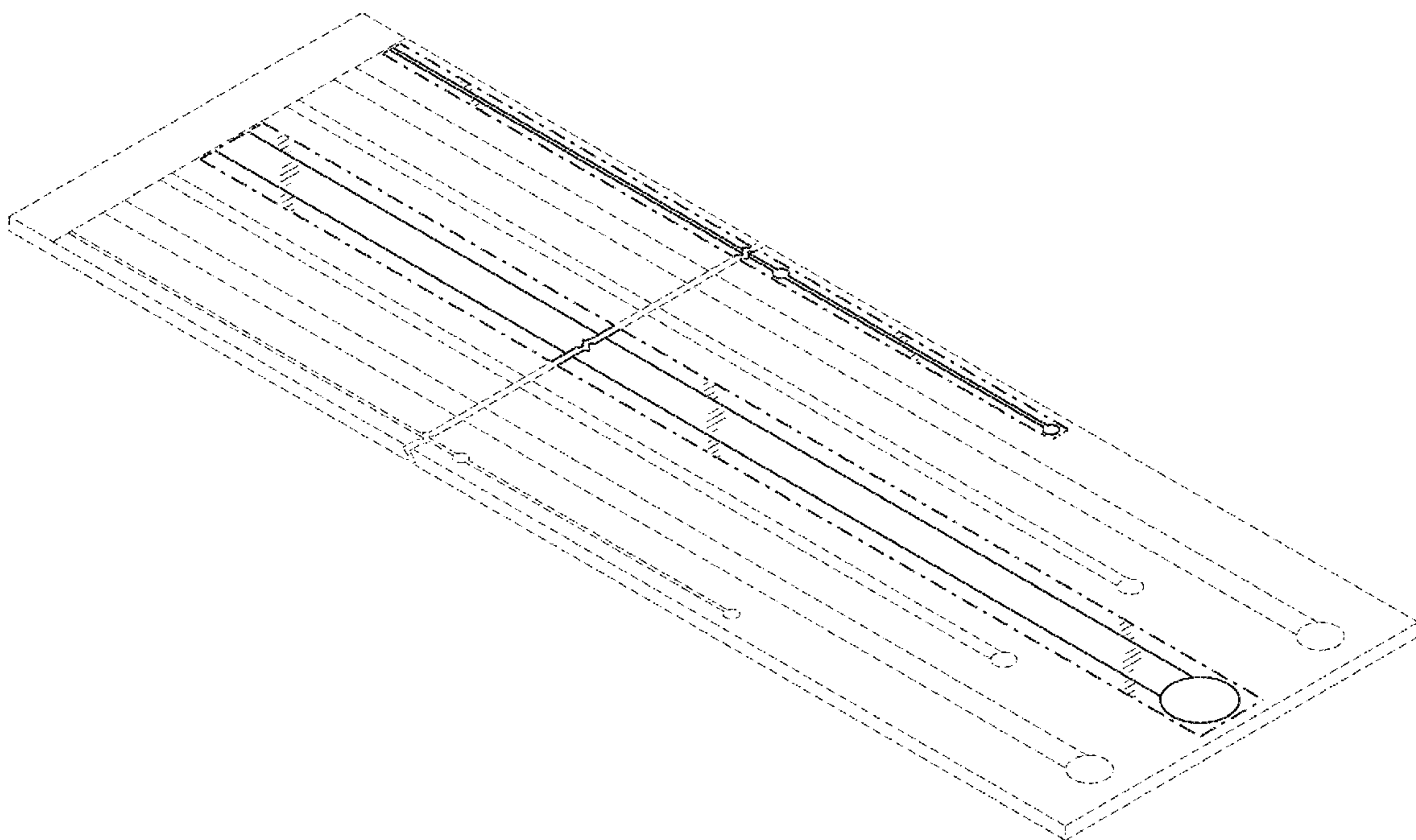
(56) **References Cited**

The surface ornamentation for golf putting aide is shown with symbolic breaks in their lengths. The appearance of any portion of the article between the break lines forms not part of the claimed design.

**U.S. PATENT DOCUMENTS**

D354,107 S \* 1/1995 Kueng ..... D21/791  
D384,385 S \* 9/1997 Farage ..... D21/791  
D385,007 S \* 10/1997 Perrin ..... D21/792  
D387,836 S \* 12/1997 Farnsworth ..... D21/791  
D407,458 S \* 3/1999 Soonlan ..... D21/792  
D461,517 S \* 8/2002 Morgan ..... D21/791  
6,840,870 B1 \* 1/2005 Froggatte ..... A63B 24/0003  
473/261  
D534,233 S \* 12/2006 Bullock ..... D21/792  
D558,849 S \* 1/2008 Taira ..... D21/791

**1 Claim, 3 Drawing Sheets**



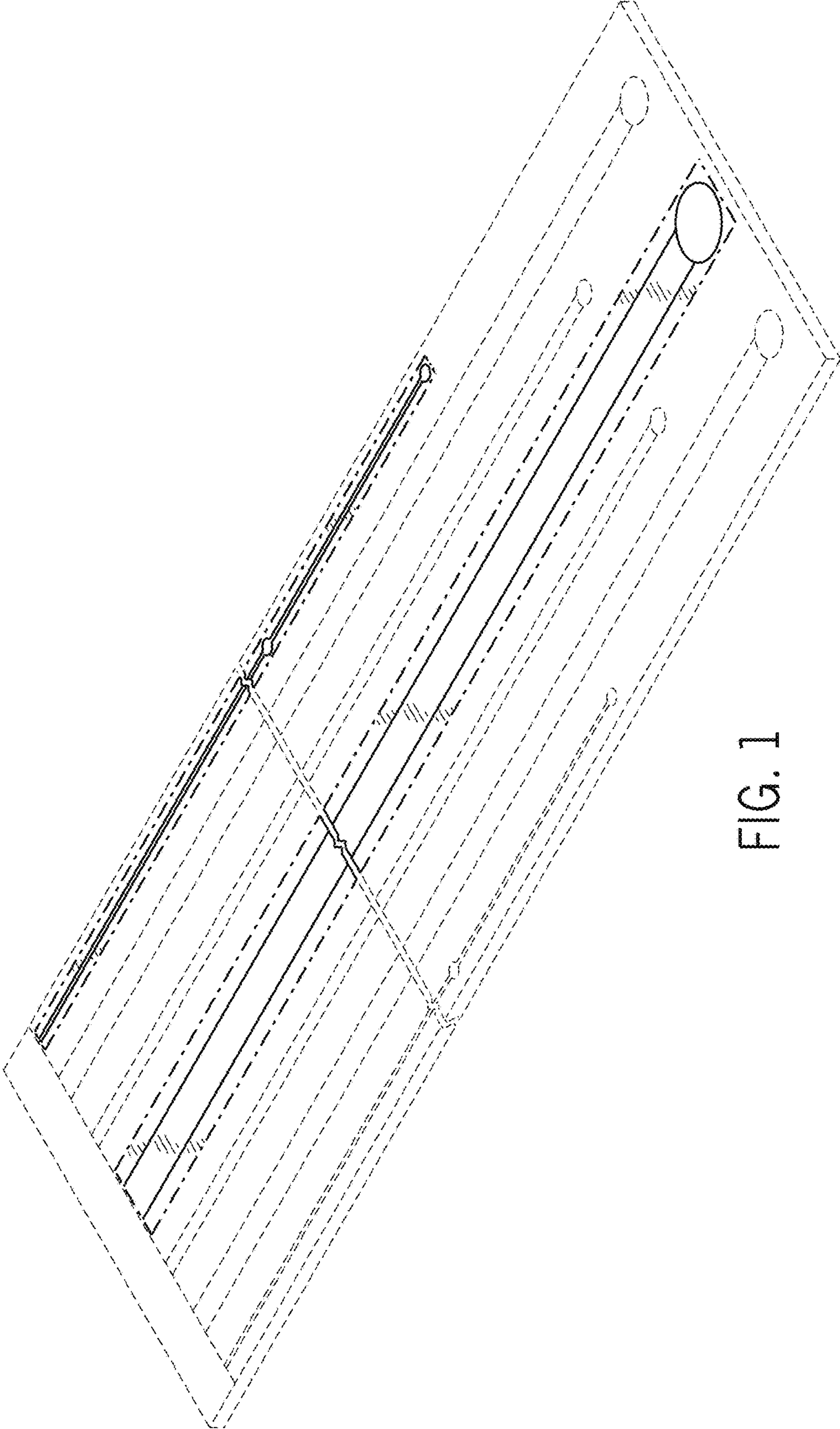


FIG. 1

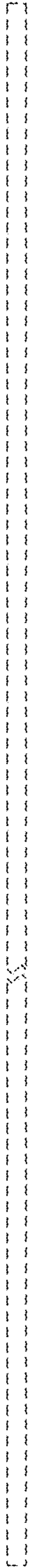


FIG. 2

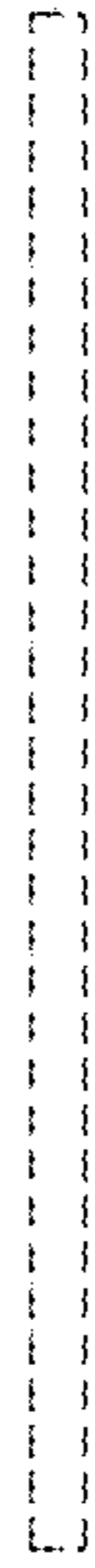


FIG. 3

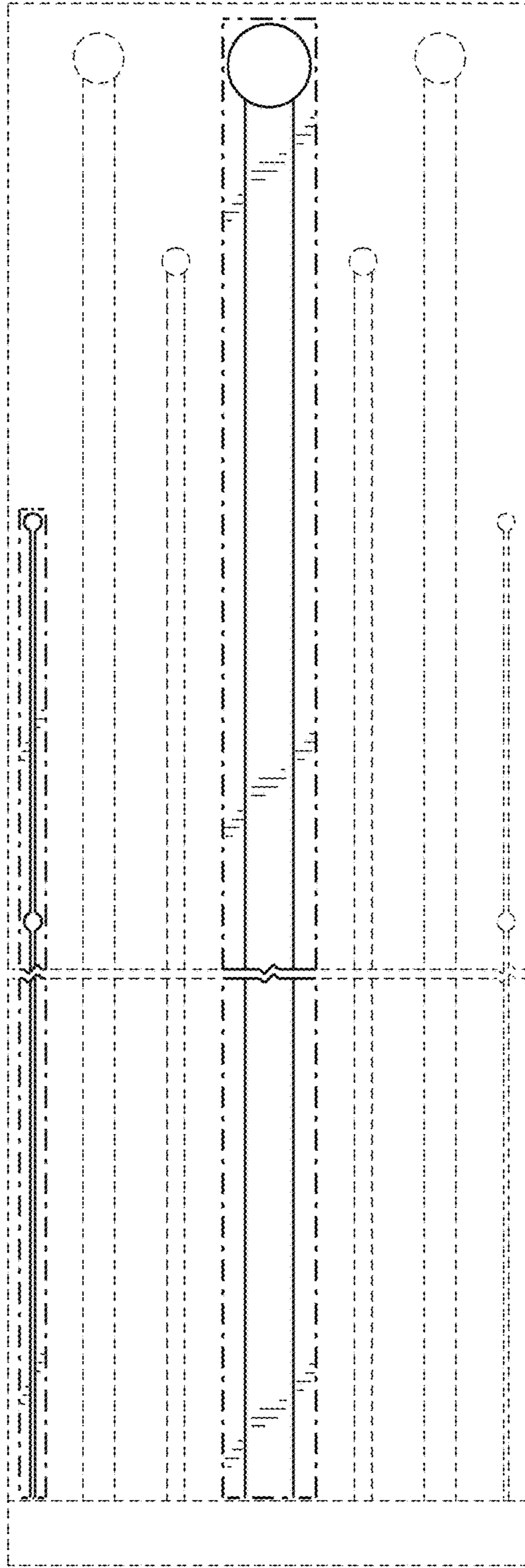


FIG. 4

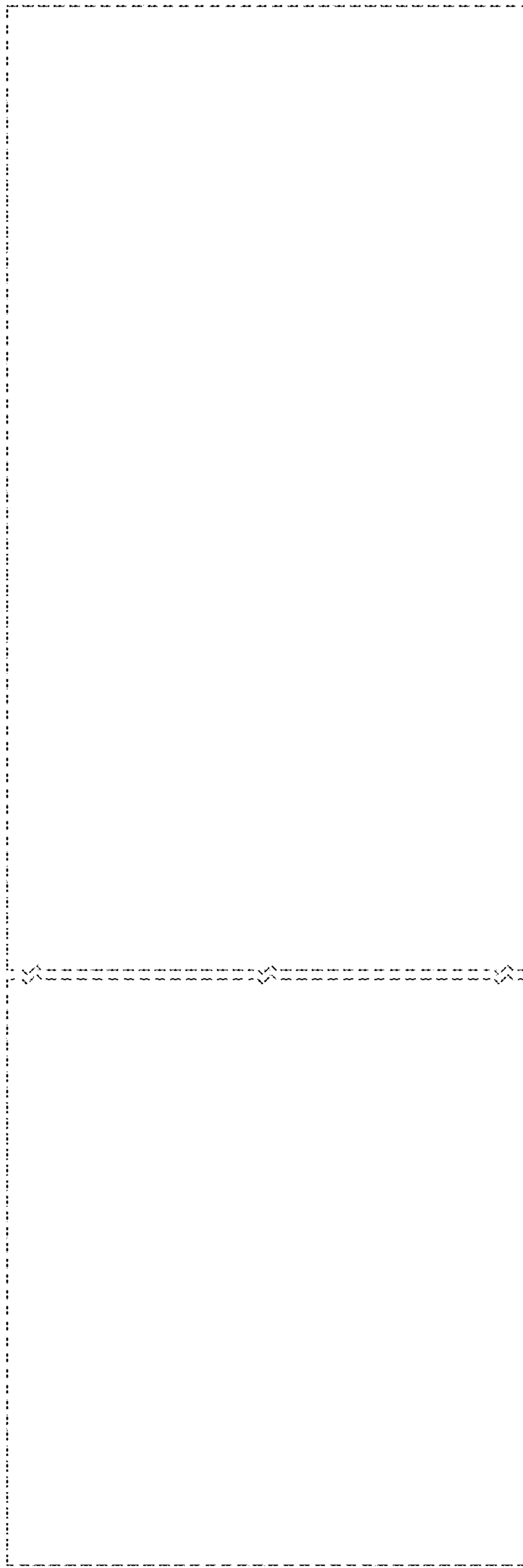


FIG. 5