



US00D789471S

(12) **United States Design Patent** (10) **Patent No.:** **US D789,471 S**
Pajonk-Taylor et al. (45) **Date of Patent:** **** Jun. 13, 2017**

(54) **WATER FILLED PUNCHING BAG**

43/002; A63B 43/007; A63B 43/02; A63B 21/06; A63B 21/0601; A63B 21/0602; A63B 21/0603; A63B 21/0607; A63B 37/0001; A63B 37/08; A63B 37/082; A63B 37/085; A63B 41/00

(71) Applicant: **Taylor Made Group, LLC**,
Gloversville, NY (US)

(72) Inventors: **Jason Pajonk-Taylor**, Saratoga Springs, NY (US); **Edwin Rivera**, East Northport, NY (US)

See application file for complete search history.

(73) Assignee: **TAYLOR MADE GROUP, LLC**,
Gloversville, NY (US)

(56) **References Cited**

(**) Term: **15 Years**

(21) Appl. No.: **29/580,803**

(22) Filed: **Oct. 13, 2016**

U.S. PATENT DOCUMENTS

690,605 A *	1/1902	Price	A63B 69/201
			482/86
732,740 A	7/1903	Hansen	
757,709 A	4/1904	Yoerger	
758,279 A	4/1904	Rhodes	
1,553,664 A	9/1925	Bergmann	
2,012,899 A	8/1935	Thorson	

(Continued)

Related U.S. Application Data

(63) Continuation of application No. 29/571,880, filed on Jul. 22, 2016, which is a continuation-in-part of application No. 29/498,739, filed on Aug. 7, 2014, now abandoned.

(51) **LOC (10) Cl.** **21-02**

(52) **U.S. Cl.**
USPC **D21/787**

(58) **Field of Classification Search**
USPC D21/466, 662, 675, 680, 694, 707, 712, D21/713, 719, 722, 787, 798; D3/201, D3/203.1, 203.2, 207-211, 215, 229, 257, D3/271.1; D11/43, 44, 48, 75, 79, 81, D11/86, 89, 121; D6/581; D9/600, D9/643-645, 653, 668, 689, 715, 719, D9/722, 501, 504, 519, 521, 529, 531, D9/535; D26/1, 2, 40, 41, 72, 73, 84, D26/154

CPC A63B 69/20; A63B 69/201; A63B 69/203; A63B 69/205; A63B 69/206; A63B 69/208; A63B 69/24; A63B 69/26; A63B 69/32; A63B 69/325; A63B 69/34; A63B 69/345; A63B 43/00; A63B 43/001; A63B

FOREIGN PATENT DOCUMENTS

GB	191207512 A *	0/1912	A63B 69/205
GB	261614	11/1926		

(Continued)

Primary Examiner — Catherine Tuttle

(74) *Attorney, Agent, or Firm* — Nixon & Vanderhye P.C.

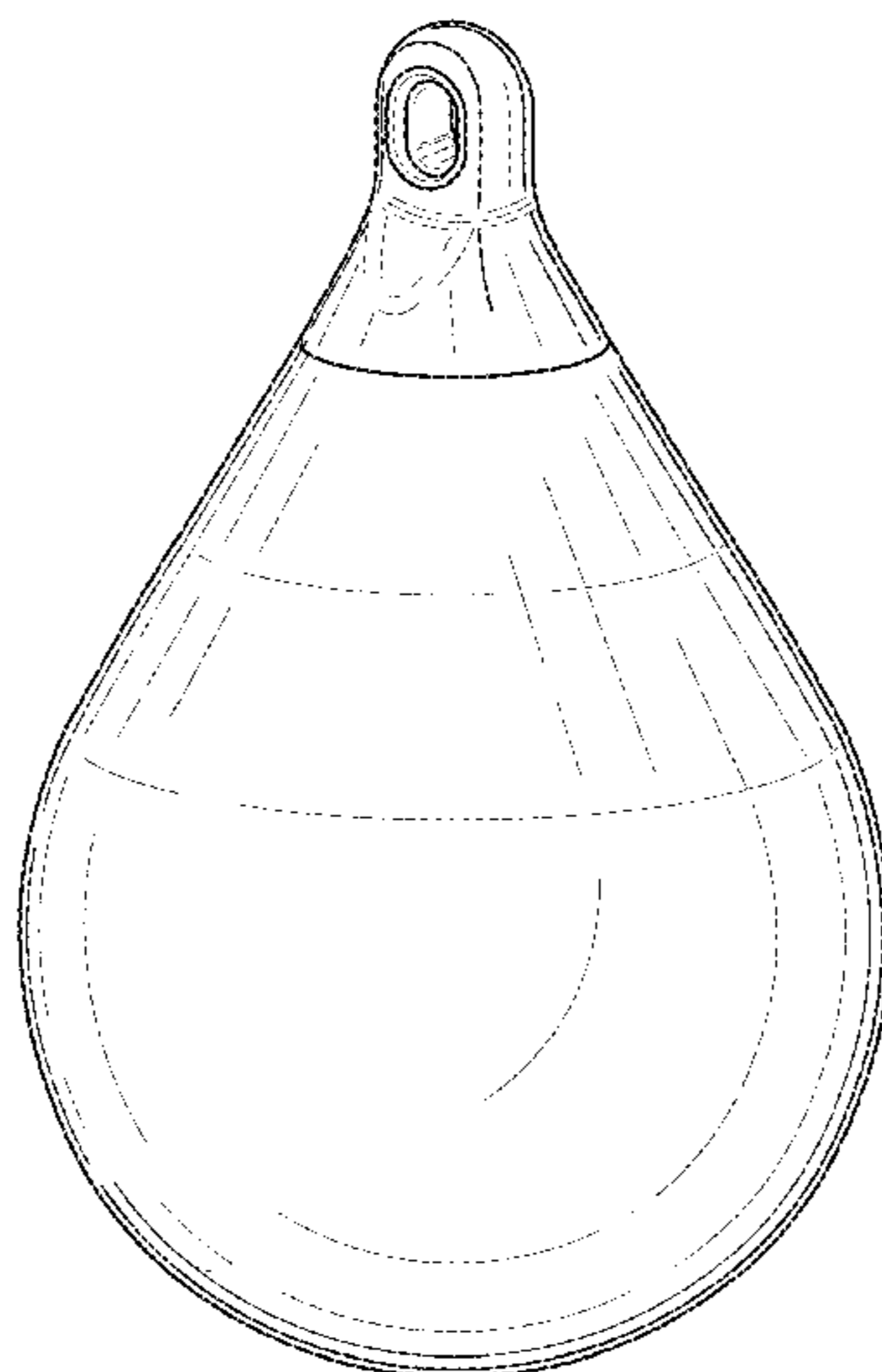
(57) **CLAIM**

The ornamental design for a water filled punching bag, as shown and described.

DESCRIPTION

FIG. 1 is a perspective view of the water filled punching bag; FIG. 2 is a side view thereof, the opposite side being a mirror image; FIG. 3 is a front view thereof, the rear view being a mirror image; FIG. 4 is a top view thereof; and, FIG. 5 is a bottom view thereof.

1 Claim, 4 Drawing Sheets



(56)

References Cited

U.S. PATENT DOCUMENTS

2,411,173 A * 11/1946 Stuhr A63B 69/205
482/87

2,625,356 A 1/1953 Kennedy
2,642,287 A 6/1953 Herbert
2,661,212 A 12/1953 Hilton
D176,428 S 12/1955 Parisi
2,815,952 A 12/1957 Glasberg
3,030,109 A 8/1968 Albitz
3,397,887 A 8/1968 Caplan
3,756,593 A 9/1973 Lehr
4,527,796 A 7/1985 Critelli
D300,757 S 4/1989 Thornell
D307,454 S 4/1990 Driscoll
5,037,087 A * 8/1991 Roth A63B 21/0602
215/228

D325,233 S 4/1992 Brunette
5,772,542 A 6/1998 Gildea

6,558,298 B2 5/2003 Fields et al.
D544,060 S 6/2007 Trudeau
8,663,073 B1 3/2014 Hays
8,814,759 B2 8/2014 Goldy
9,038,652 B1 5/2015 Henry
D762,797 S 8/2016 Pajonk-Taylor et al.
2002/0094917 A1 7/2002 Wang
2006/0166793 A1 7/2006 Gobel et al.
2007/0099772 A1 5/2007 Fu et al.
2008/0096733 A1 4/2008 Epstein
2010/0210426 A1 8/2010 Styopin et al.
2012/0157269 A1 6/2012 Fu et al.
2014/0080682 A1 3/2014 Moss
2016/0039502 A1 2/2016 Pajonk-Taylor et al.

FOREIGN PATENT DOCUMENTS

GB 2 372 712 9/2002
JP 3173948 2/2012

* cited by examiner

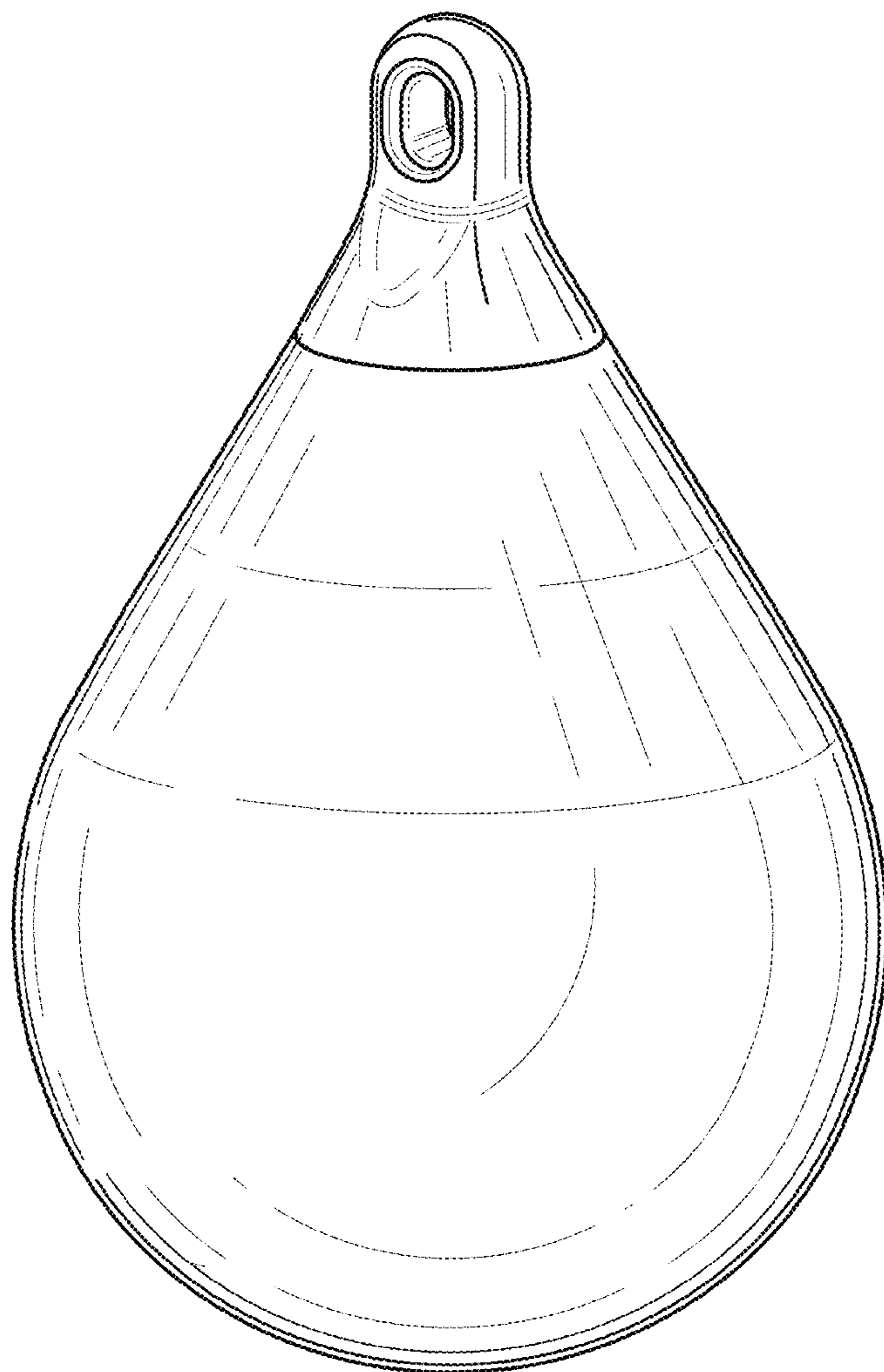


FIG. 1

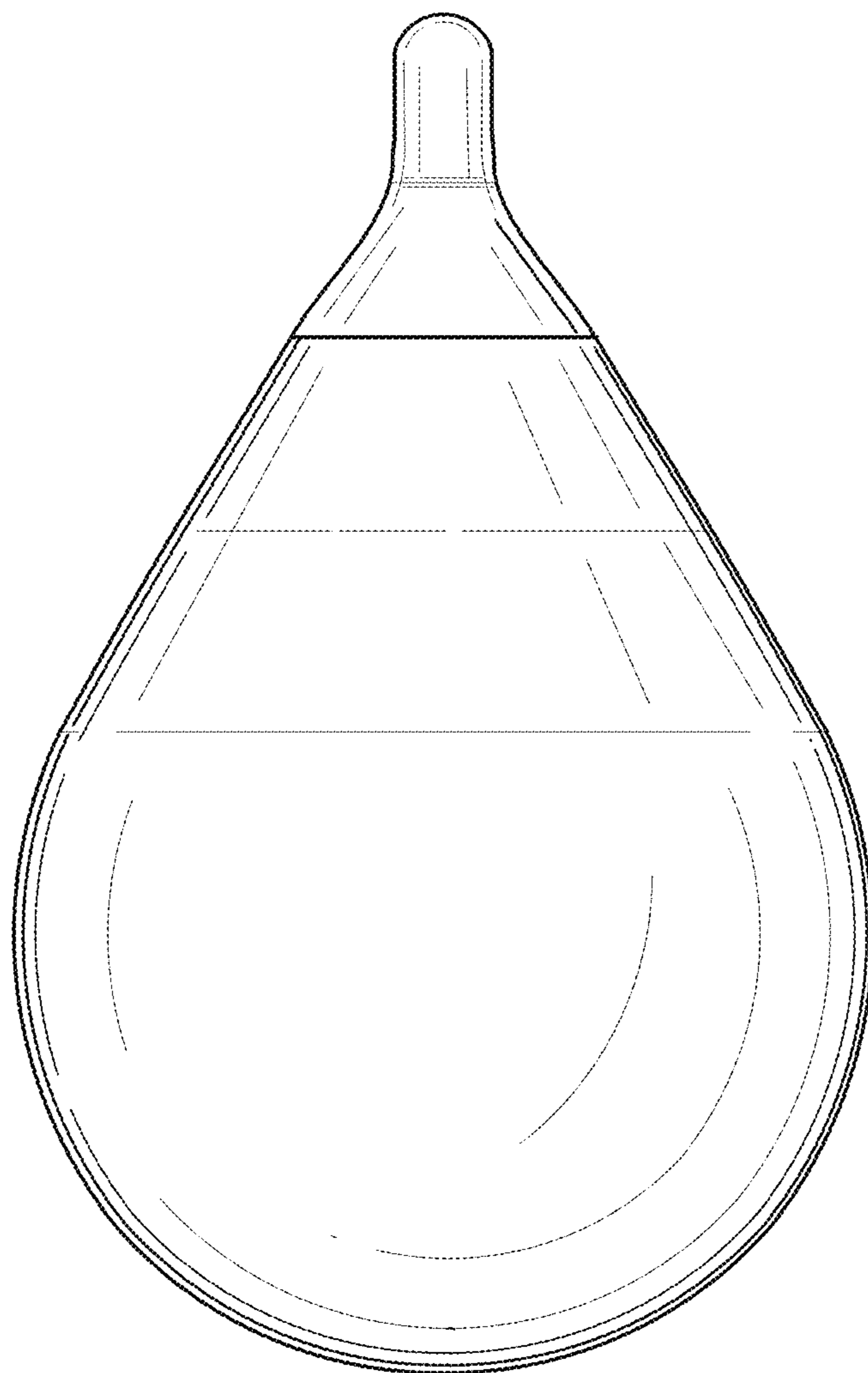


FIG. 2

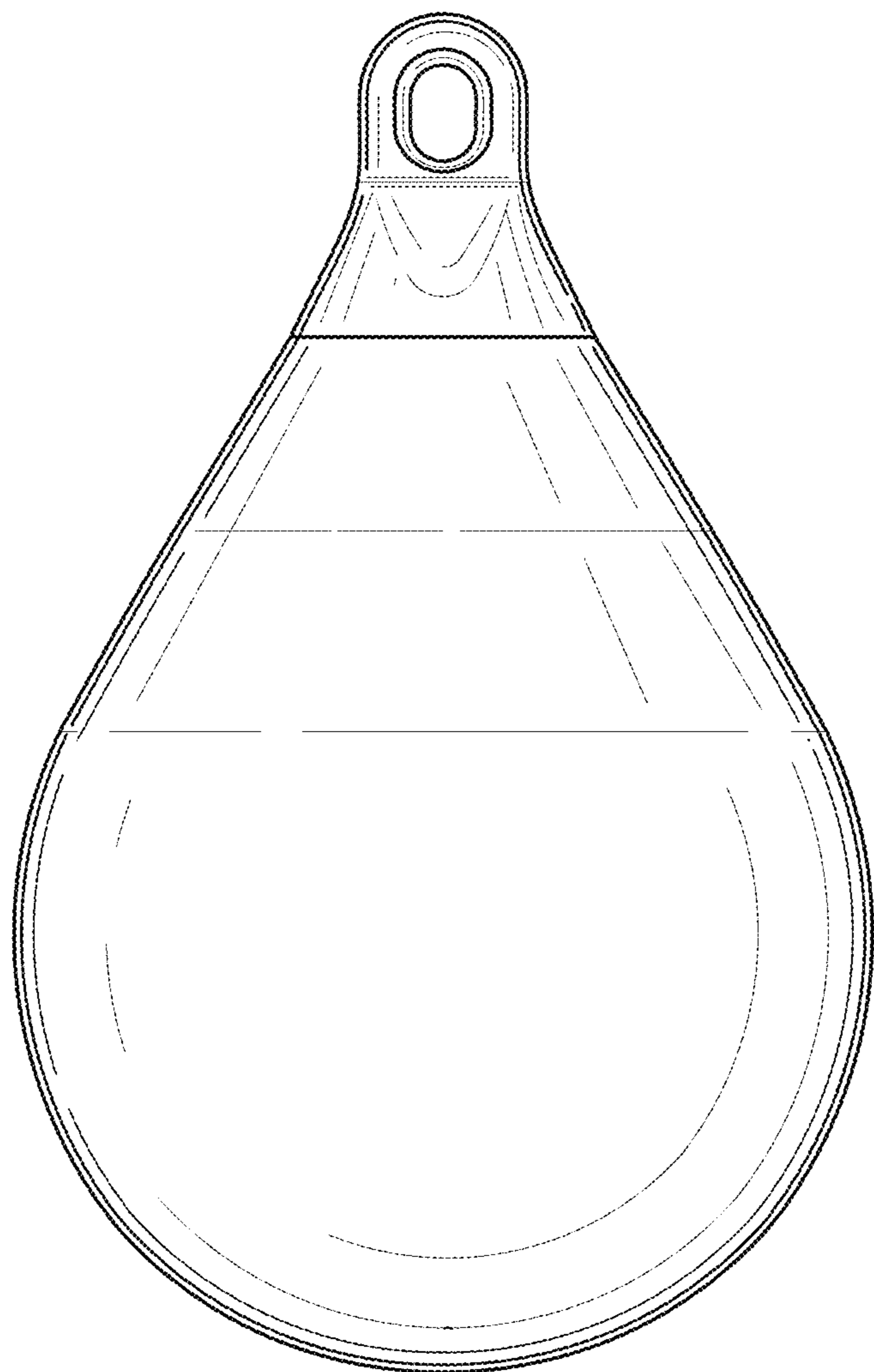


FIG. 3

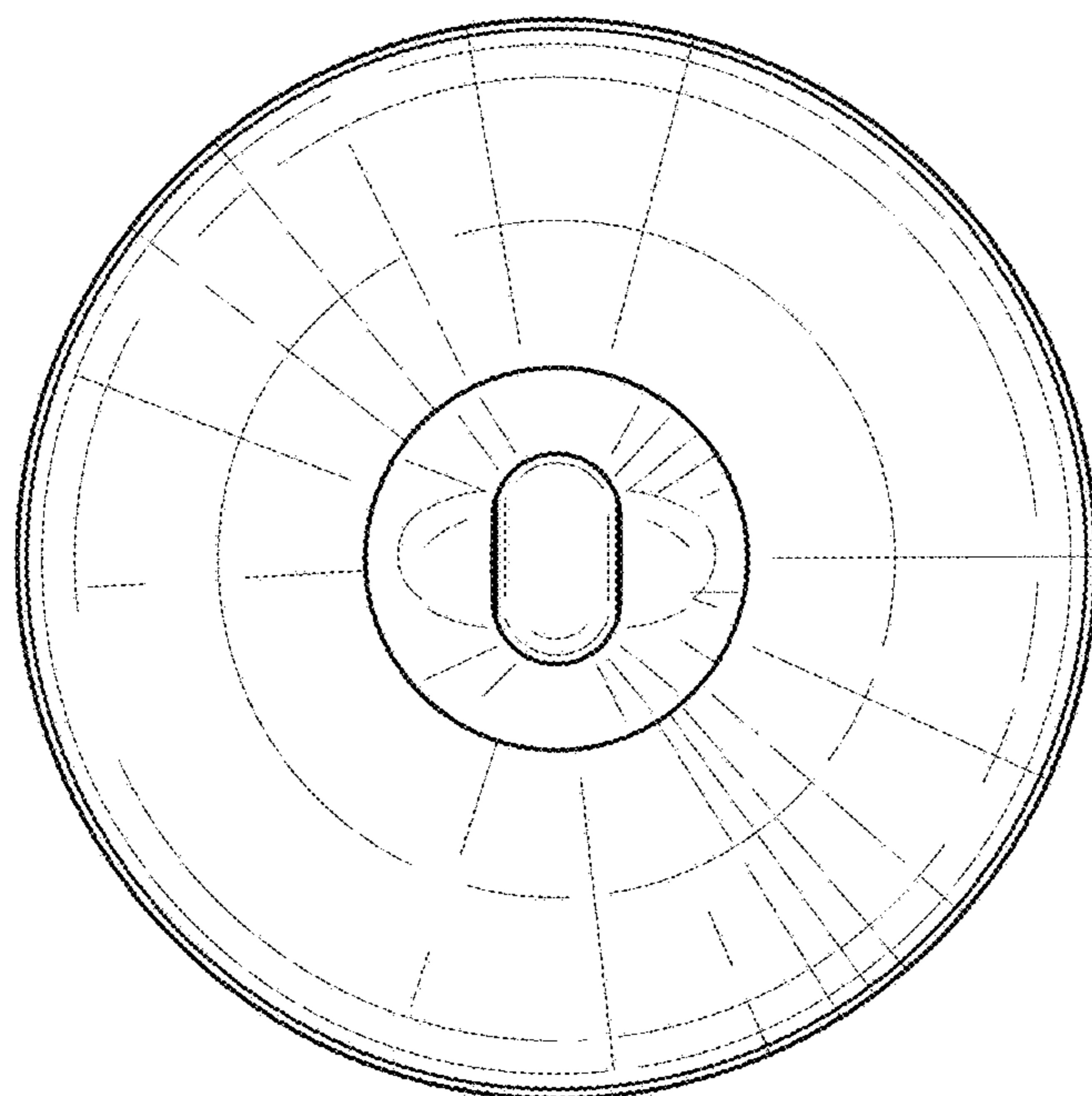


FIG. 4

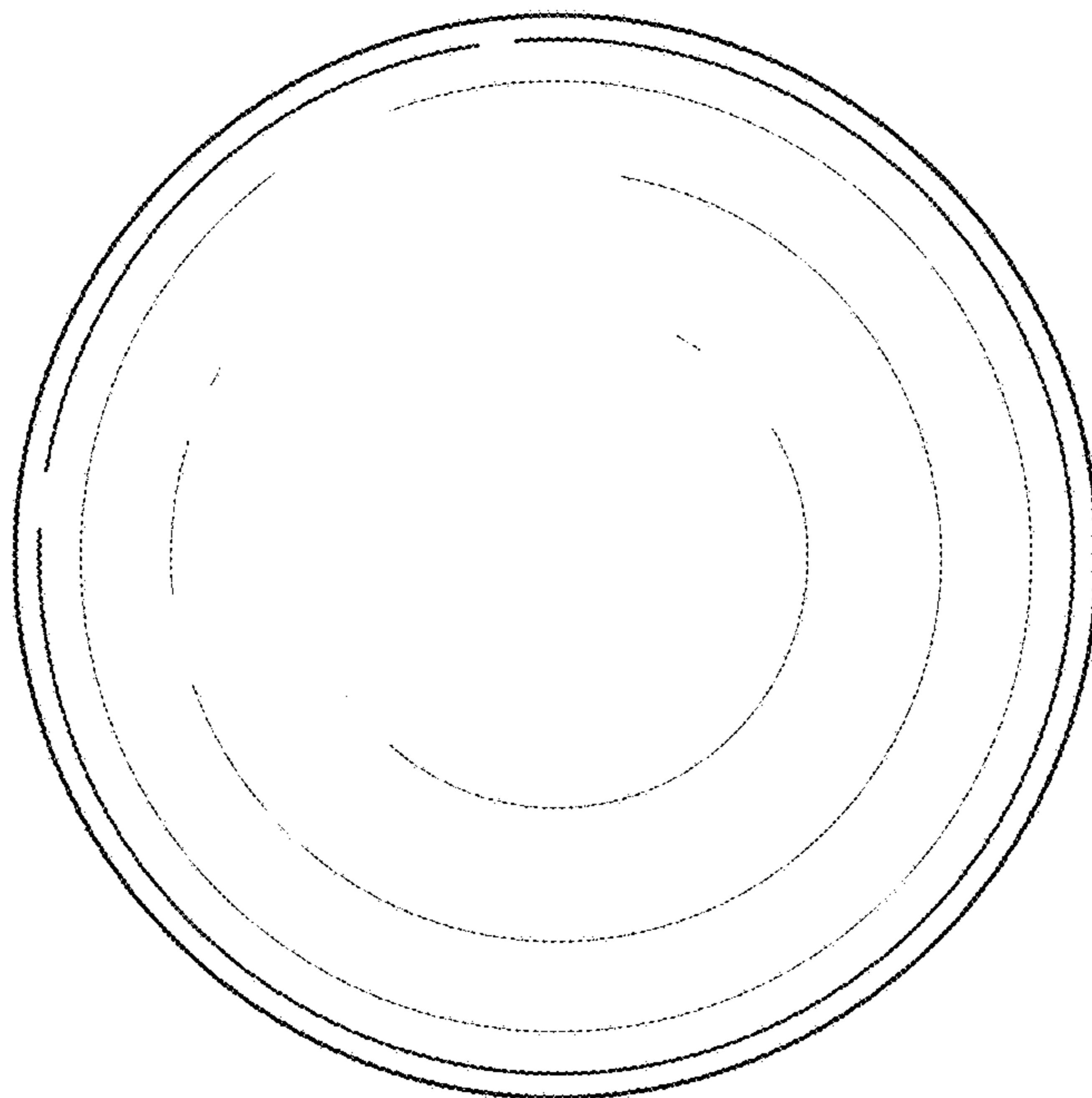


FIG. 5