



US00D789469S

(12) **United States Design Patent**  
**Oyler**

(10) **Patent No.:** **US D789,469 S**

(45) **Date of Patent:** **\*\* Jun. 13, 2017**

- (54) **GOLF CLUB HEAD**
- (71) Applicant: **Golf Tailor, LLC**, Edmond, OK (US)
- (72) Inventor: **Tim Oyler**, Edmond, OK (US)
- (73) Assignee: **Golf Tailor, LLC**, Edmond, OK (US)
- (\*\*) Term: **15 Years**
- (21) Appl. No.: **29/581,778**
- (22) Filed: **Oct. 21, 2016**
- (51) **LOC (10) Cl.** ..... **21-02**
- (52) **U.S. Cl.**  
USPC ..... **D21/748**
- (58) **Field of Classification Search**  
USPC ..... D21/747-751  
CPC ..... A63B 53/00; A63B 53/04; A63B 53/047;  
A63B 53/0475; A63B 53/0445; A63B  
2053/0479  
See application file for complete search history.

- 5,447,307 A \* 9/1995 Antonious ..... A63B 53/02  
473/350
- D364,206 S \* 11/1995 Schmidt ..... D21/748
- D365,865 S \* 1/1996 Antonious ..... D21/748
- 5,480,145 A \* 1/1996 Sherwood ..... A63B 53/04  
473/290
- D368,945 S \* 4/1996 Inuma ..... D21/748
- D371,181 S \* 6/1996 Antonious ..... D21/748
- D371,182 S \* 6/1996 Stites ..... D21/749
- D380,031 S \* 6/1997 Hutin ..... D21/748

(Continued)

*Primary Examiner* — Mitchell Siegel

(74) *Attorney, Agent, or Firm* — Caesar Rivise, PC

(57) **CLAIM**

The ornamental design for the golf club head, as shown and described.

**DESCRIPTION**

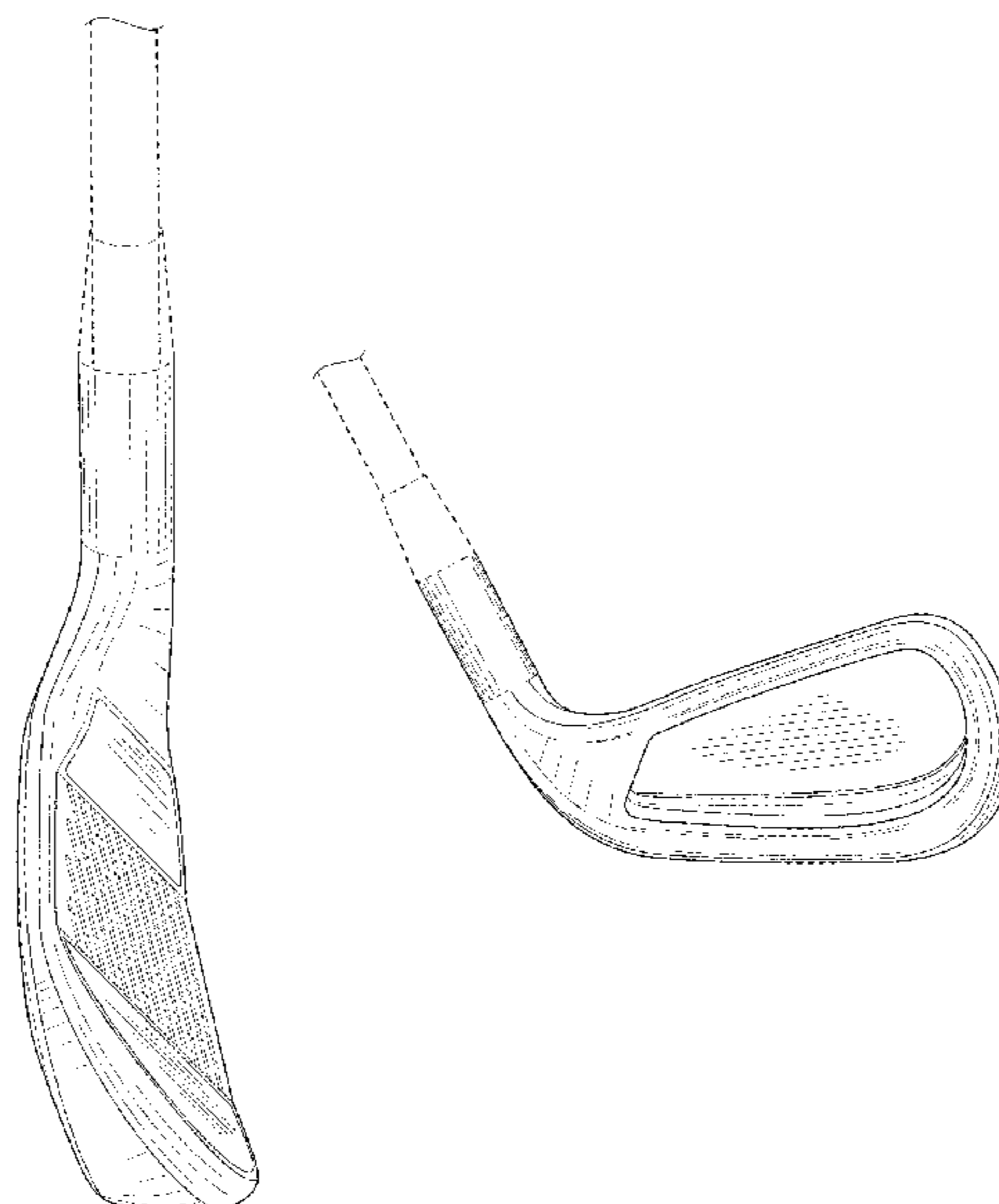
FIG. 1 is a front isometric view of a golf club head showing my new design;  
 FIG. 2 is an enlarged top isometric view of the golf club head of FIG. 1;  
 FIG. 3 is a rear elevational view of the golf club head of FIG. 2;  
 FIG. 4 is a front elevational view of the golf club head of FIG. 2;  
 FIG. 5 is a right side elevational view of the golf club head of FIG. 2;  
 FIG. 6 is a left side elevational view of the golf club head of FIG. 2;  
 FIG. 7 is top plan view of the golf club head of FIG. 2;  
 FIG. 8 is a bottom plan view of the golf club head of FIG. 2; and,  
 FIG. 9 is a cross-sectional view taken on line 9-9 of FIG. 4.  
 The features shown in broken lines in the drawing depict portions of the design that form no part of the claimed design.

**1 Claim, 6 Drawing Sheets**

(56) **References Cited**

U.S. PATENT DOCUMENTS

- 4,231,576 A \* 11/1980 Perkins ..... A63B 69/3632  
473/242
- D271,784 S \* 12/1983 Caskey ..... D21/748
- D303,132 S \* 8/1989 Muta ..... D21/748
- D327,522 S \* 6/1992 Antonious ..... D21/748
- D327,724 S \* 7/1992 Antonious ..... D21/748
- D328,482 S \* 8/1992 Antonious ..... D21/748
- D328,483 S \* 8/1992 Antonious ..... D21/748
- D328,628 S \* 8/1992 Antonious ..... D21/748
- D329,676 S \* 9/1992 Antonious ..... D21/748
- D329,905 S \* 9/1992 Antonious ..... D21/748
- D330,400 S \* 10/1992 Antonious ..... D21/748
- 5,160,136 A \* 11/1992 Eger ..... A63B 53/04  
473/291
- D339,183 S \* 9/1993 Stites, III ..... D21/748
- 5,413,336 A \* 5/1995 Iwanaga ..... A63B 53/00  
473/291



(56)

**References Cited**

## U.S. PATENT DOCUMENTS

D385,324 S \* 10/1997 Ubaney ..... D21/759  
D398,355 S \* 9/1998 Chou ..... D21/748  
D404,783 S 1/1999 Best et al.  
5,976,029 A \* 11/1999 Sherwood ..... A63B 53/04  
473/291  
D428,632 S \* 7/2000 Besnard ..... D21/748  
D429,300 S \* 8/2000 Cleveland ..... D21/748  
D438,924 S \* 3/2001 Asabuki ..... D21/747  
D456,056 S 4/2002 Bakke  
D457,211 S 5/2002 Bakke  
D510,970 S \* 10/2005 Elias ..... D21/759  
D583,888 S \* 12/2008 Nehrbas ..... D21/759  
D586,416 S \* 2/2009 Kohno ..... D21/759  
D659,213 S \* 5/2012 Schultz ..... D21/759  
D682,962 S 5/2013 Llewellyn et al.  
8,469,833 B1 \* 6/2013 Schultz ..... A63B 53/0487  
473/236  
D763,375 S 8/2016 Chun  
D765,803 S 9/2016 Oliveiro et al.  
D767,695 S 9/2016 Kitching, Jr.

\* cited by examiner

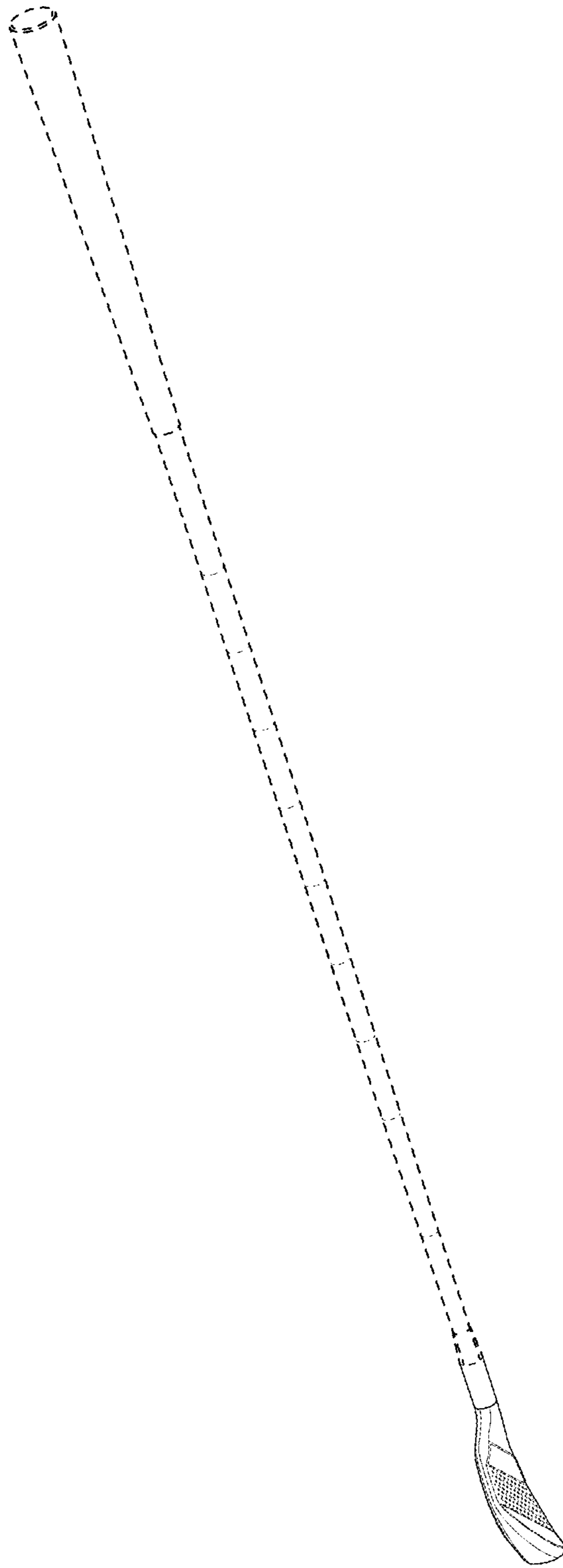


FIG. 1

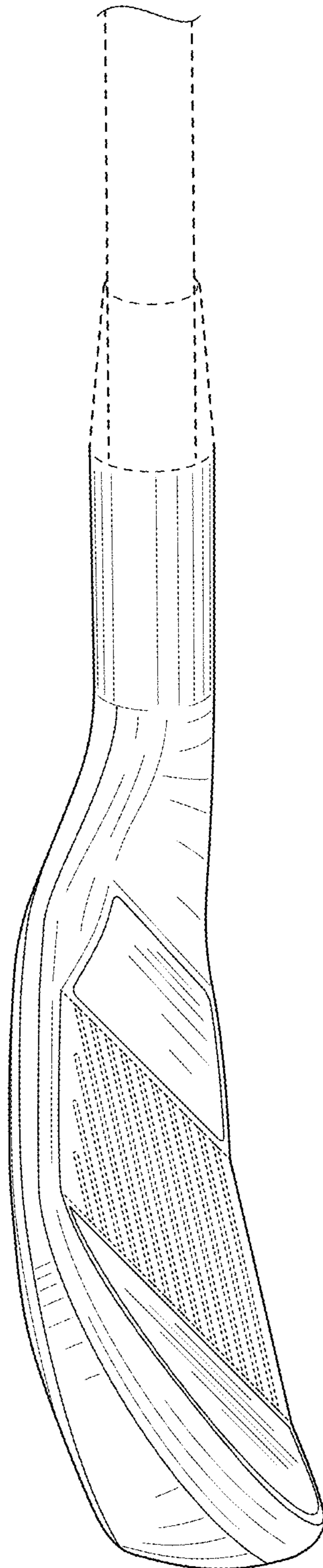


FIG. 2

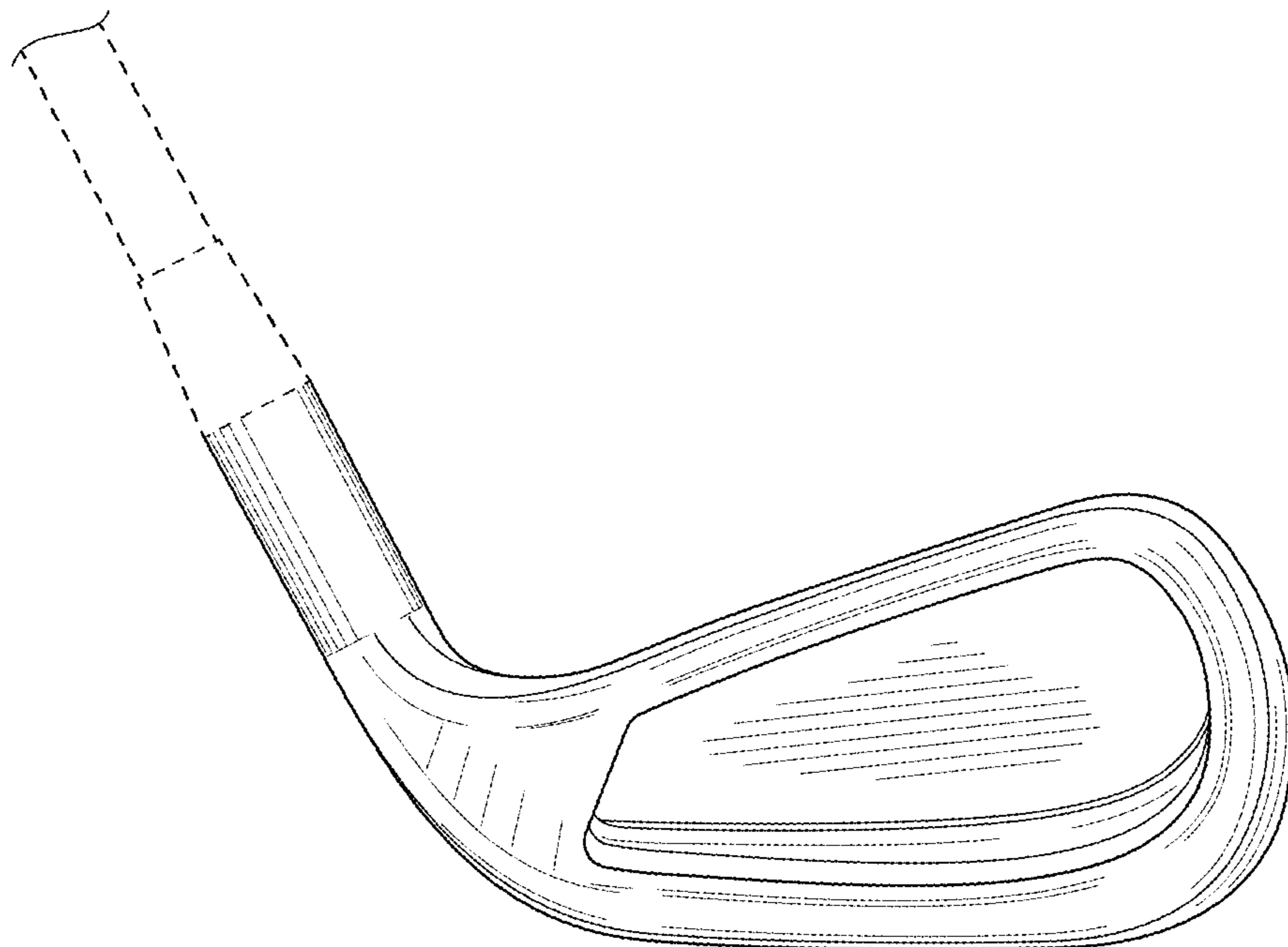


FIG. 3

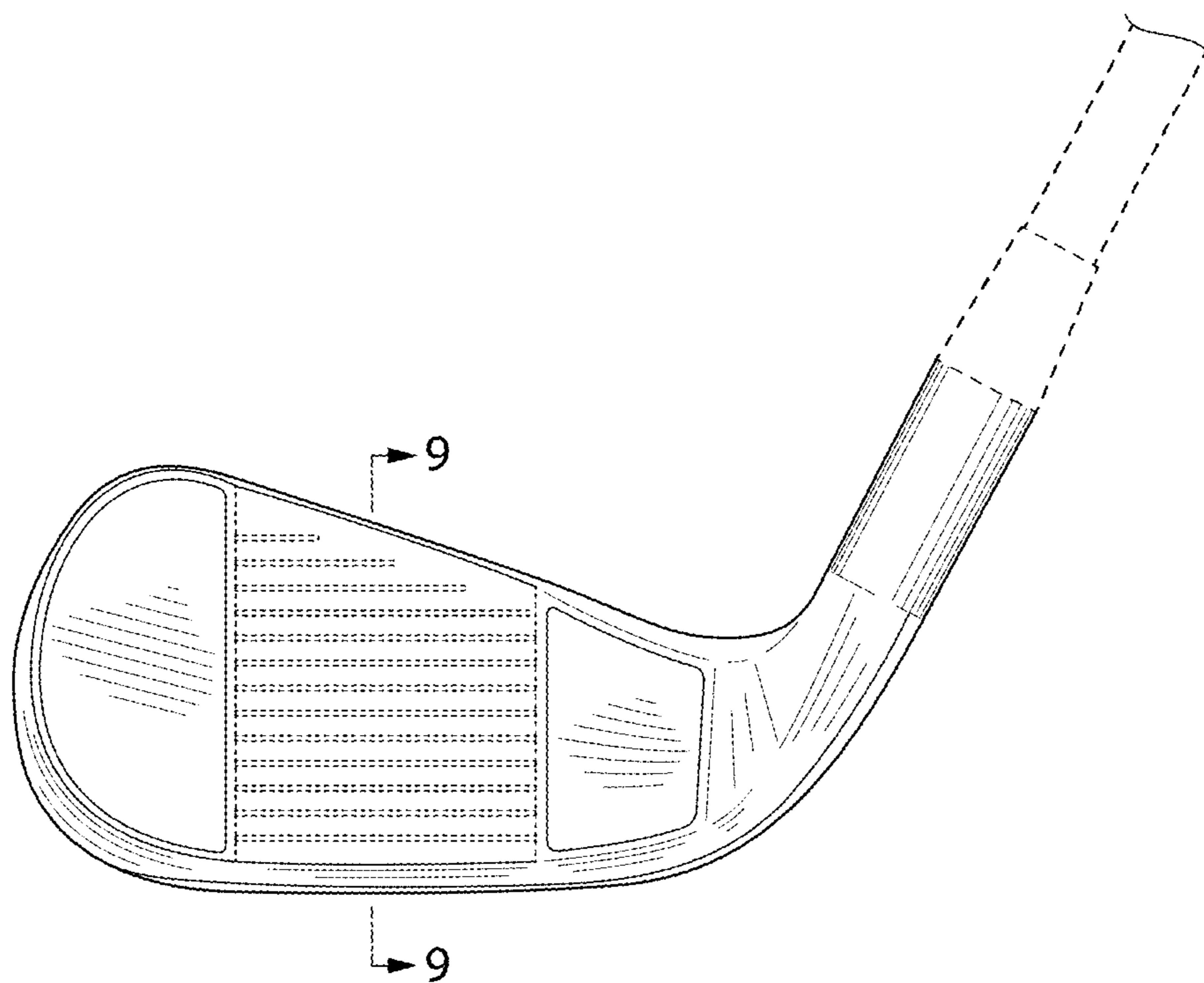


FIG. 4

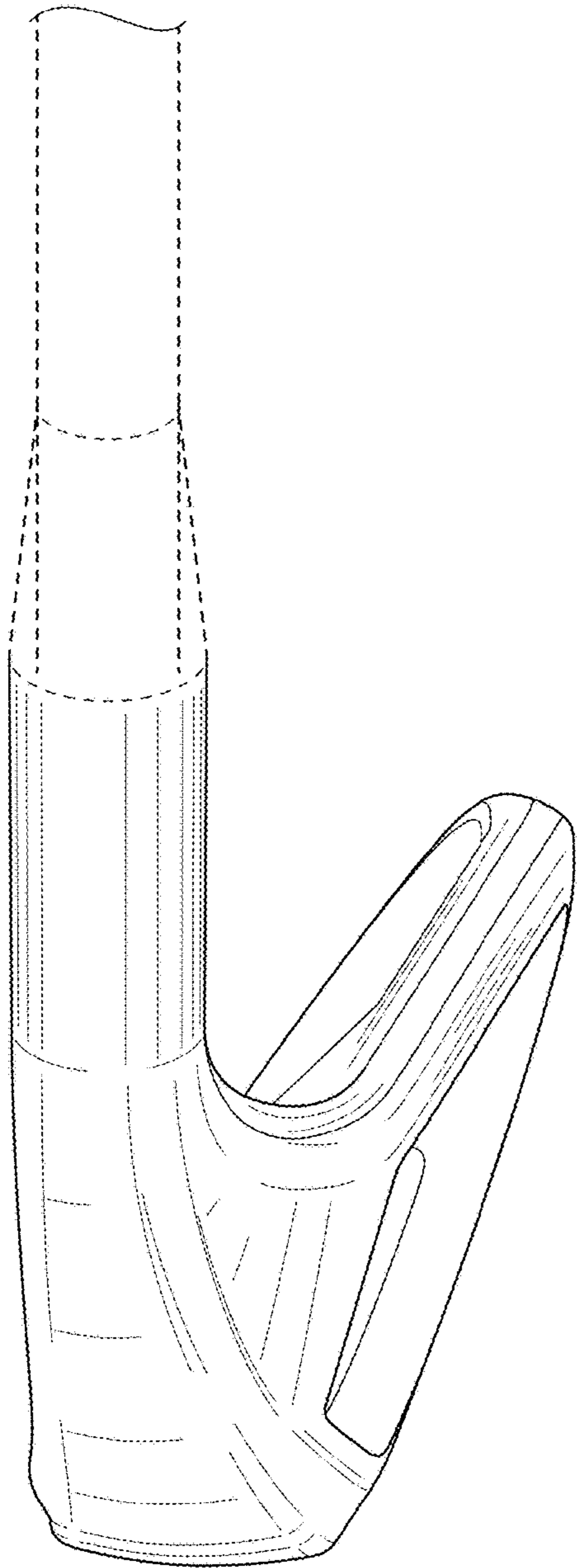


FIG. 5

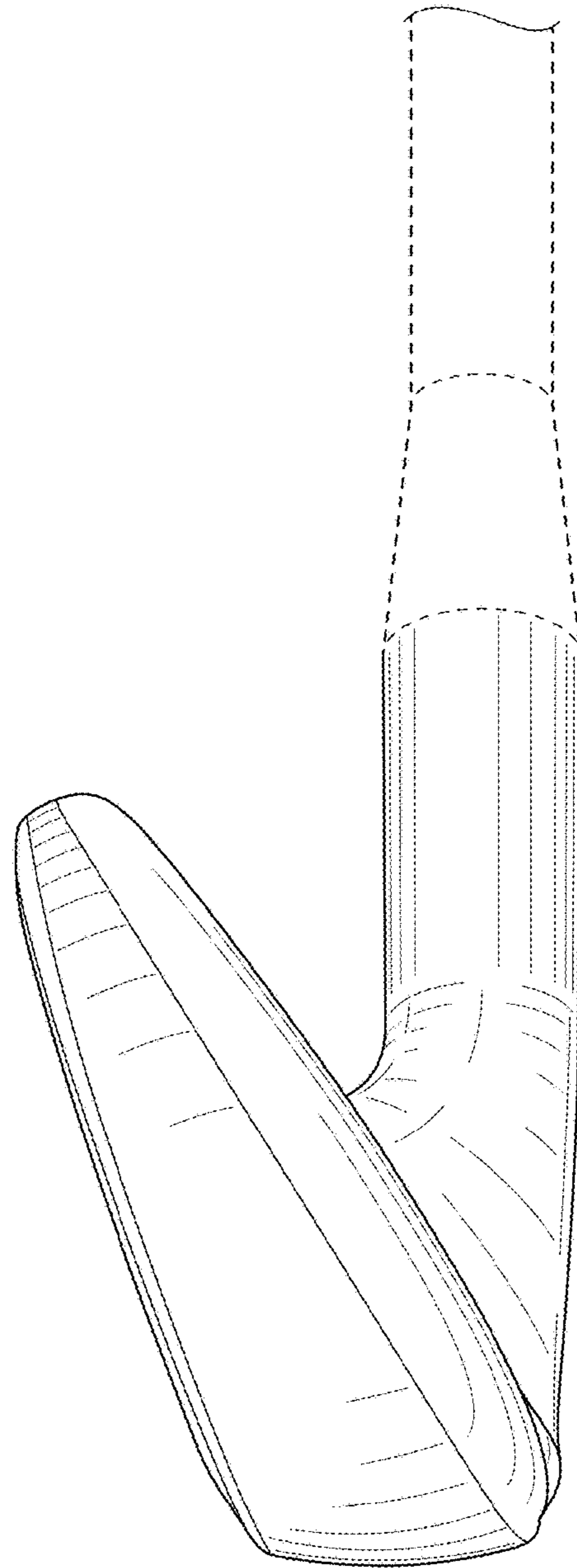


FIG. 6

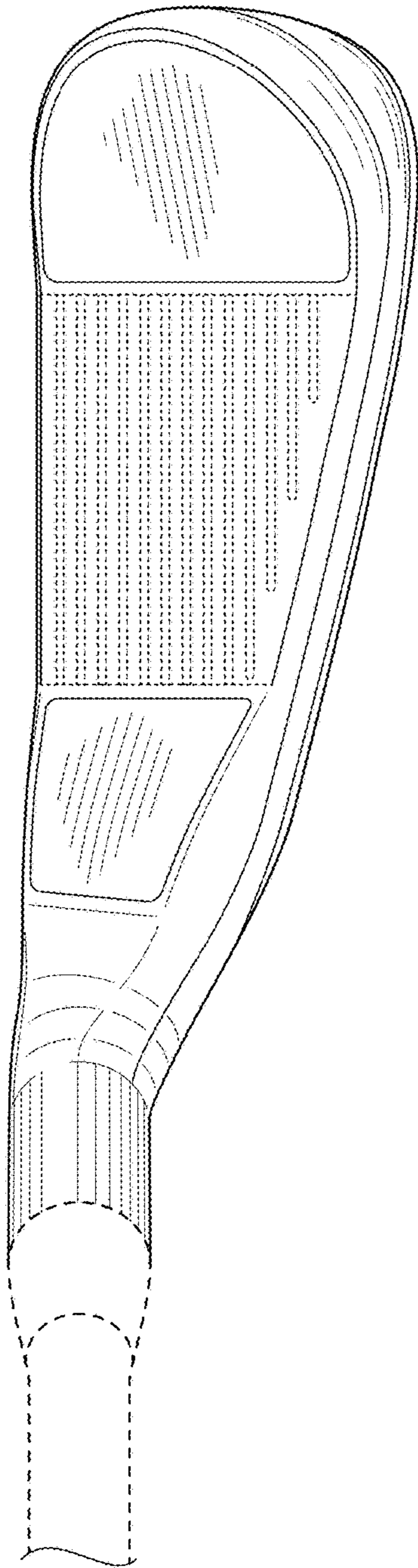


FIG. 7

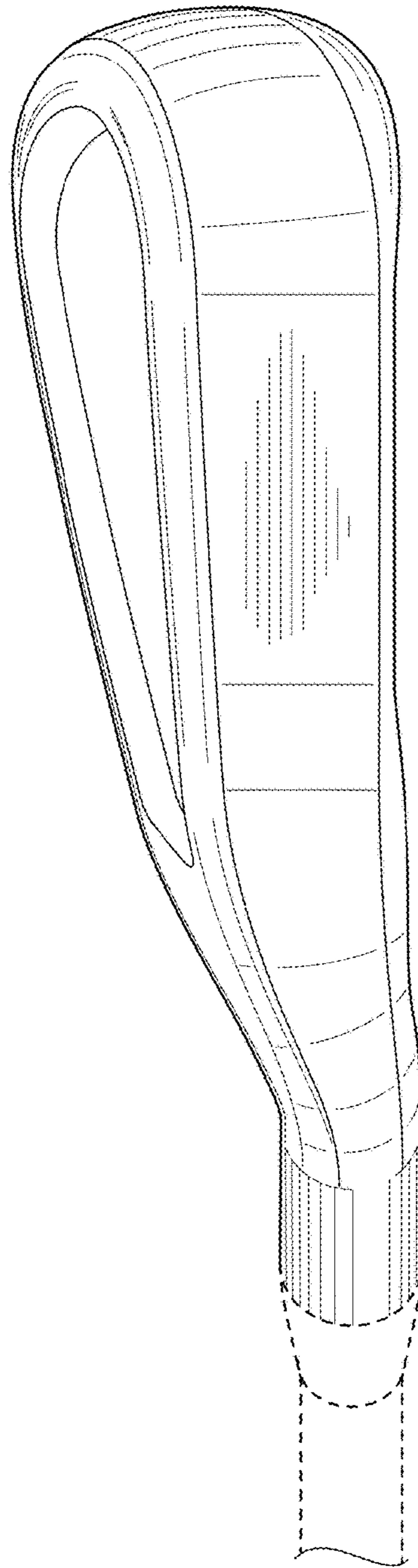


FIG. 8

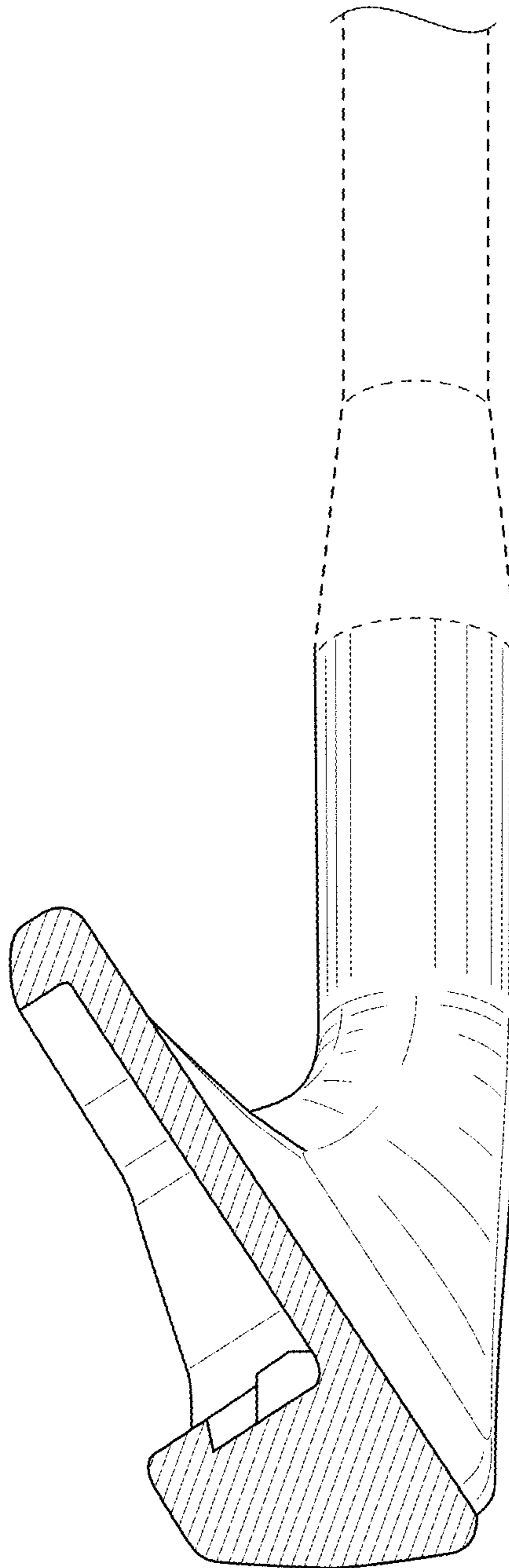


FIG. 9



UNITED STATES PATENT AND TRADEMARK OFFICE  
**CERTIFICATE OF CORRECTION**

PATENT NO. : D789,469 S  
APPLICATION NO. : 29/581778  
DATED : June 13, 2017  
INVENTOR(S) : Tim Oyler et al.

Page 1 of 1

It is certified that error appears in the above-identified patent and that said Letters Patent is hereby corrected as shown below:

On the Title Page

The following Foreign Priority Data is missing:

Foreign Priority Data

Aug. 2, 2016 (CN).....201630362121.0

Signed and Sealed this  
Tenth Day of October, 2017



Joseph Matal  
*Performing the Functions and Duties of the  
Under Secretary of Commerce for Intellectual Property and  
Director of the United States Patent and Trademark Office*