



US00D789466S

(12) **United States Design Patent**
Cho et al.

(10) **Patent No.:** **US D789,466 S**
(45) **Date of Patent:** **** Jun. 13, 2017**

(54) **BALL RETURN**

(71) Applicant: **Pure Body Logics**, Anaheim, CA (US)

(72) Inventors: **Sung-Jin Cho**, Gwangju-si (KR); **Floyd Tom Smith**, Anaheim, CA (US); **Benjamin Chung**, Anaheim, CA (US)

(**) Term: **15 Years**

(21) Appl. No.: **29/559,006**

(22) Filed: **Mar. 23, 2016**

(51) **LOC (10) Cl.** **21-02**

(52) **U.S. Cl.**
USPC **D21/705**; D21/699

(58) **Field of Classification Search**
USPC D21/301, 302, 303, 304, 305, 698, 699, D21/704, 705, 706, 780, 788, 781, 790, D21/799.1; 273/398-410; 473/164, 166, 473/172, 197, 431, 432, 434, 435
CPC A63B 63/00; A63B 63/004; A63B 63/007; A63B 63/008; A63B 2063/001; A63B 2063/002; A63B 2063/005; A63B 2063/006; A63B 69/00; A63B 69/0002; A63B 69/002; A63B 69/0024; A63B 69/0026; A63B 69/0097; A63B 2069/0004; A63B 2069/0006; A63B 2069/0008; A63B 2069/0011; A63B 71/022

See application file for complete search history.

(56) **References Cited**

U.S. PATENT DOCUMENTS

2,161,463 A * 6/1939 Frost A63B 69/0097
273/395

3,049,353 A * 8/1962 Viator A63B 63/00
473/194

3,420,528 A * 1/1969 Day A63B 69/3623
273/397

3,836,144 A * 9/1974 Mahoney A63B 69/0097
248/130

3,918,711 A * 11/1975 Zak A63B 69/38
473/195

3,989,246 A * 11/1976 Brown A63B 47/025
124/53.5

4,264,070 A * 4/1981 Torres A63B 69/0097
273/127 C

D271,507 S * 11/1983 Phillips D21/705

4,417,728 A * 11/1983 Hay A63B 63/00
273/342

4,703,931 A * 11/1987 Steen A63B 69/0097
273/410

4,836,542 A * 6/1989 Crawley A63B 63/008
273/400

D302,991 S * 8/1989 York D21/705

4,880,239 A * 11/1989 Leneveu A63B 63/00
473/192

4,883,272 A * 11/1989 Lay A63B 69/406
124/6

5,271,616 A * 12/1993 Grimaldi A63B 63/00
273/394

5,558,338 A * 9/1996 Taub A63B 69/0071
473/416

D380,797 S * 7/1997 Schwan D21/699

(Continued)

Primary Examiner — Catherine Tuttle

(74) *Attorney, Agent, or Firm* — Clement Cheng

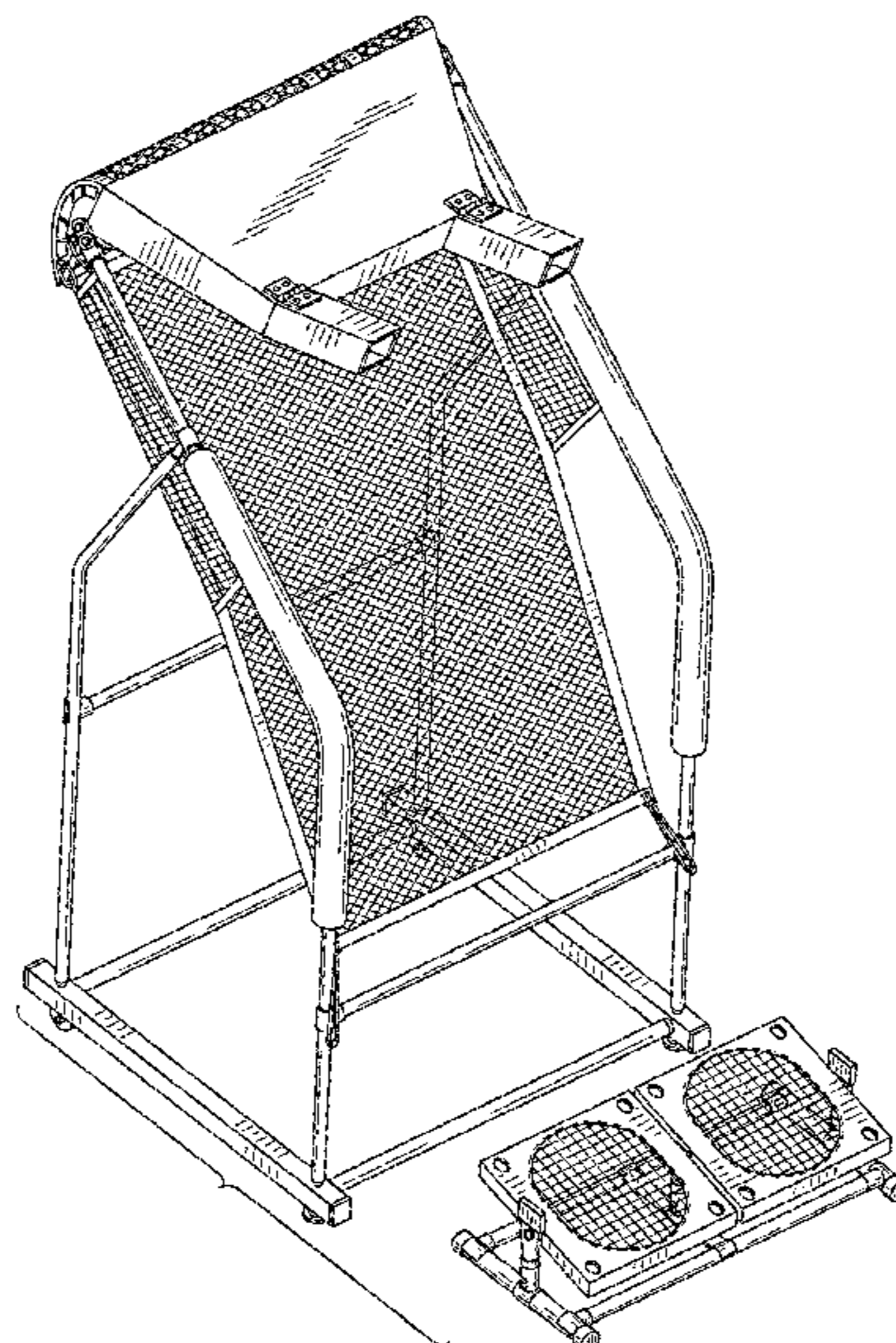
(57) **CLAIM**

The ornamental design for a ball return, as shown and described.

DESCRIPTION

FIG. 1 is a perspective view.
FIG. 2 is a front view.
FIG. 3 is a rear view.
FIG. 4 is a right side view.
FIG. 5 is a left side view.
FIG. 6 is a top view; and,
FIG. 7 is a bottom view.

1 Claim, 7 Drawing Sheets



(56)

References Cited

U.S. PATENT DOCUMENTS

5,938,546 A * 8/1999 Caruso A63B 69/0097
473/434
7,207,893 B1 * 4/2007 Louie A63B 63/00
473/166
D598,059 S * 8/2009 Kinkead D21/699
D624,976 S * 10/2010 McBride D21/698
D628,252 S * 11/2010 Forrest, Sr. D21/705
2005/0209027 A1 * 9/2005 Joseph A63B 69/0071
473/431
2012/0283046 A1 * 11/2012 Yamanashi A63B 63/00
473/432

* cited by examiner

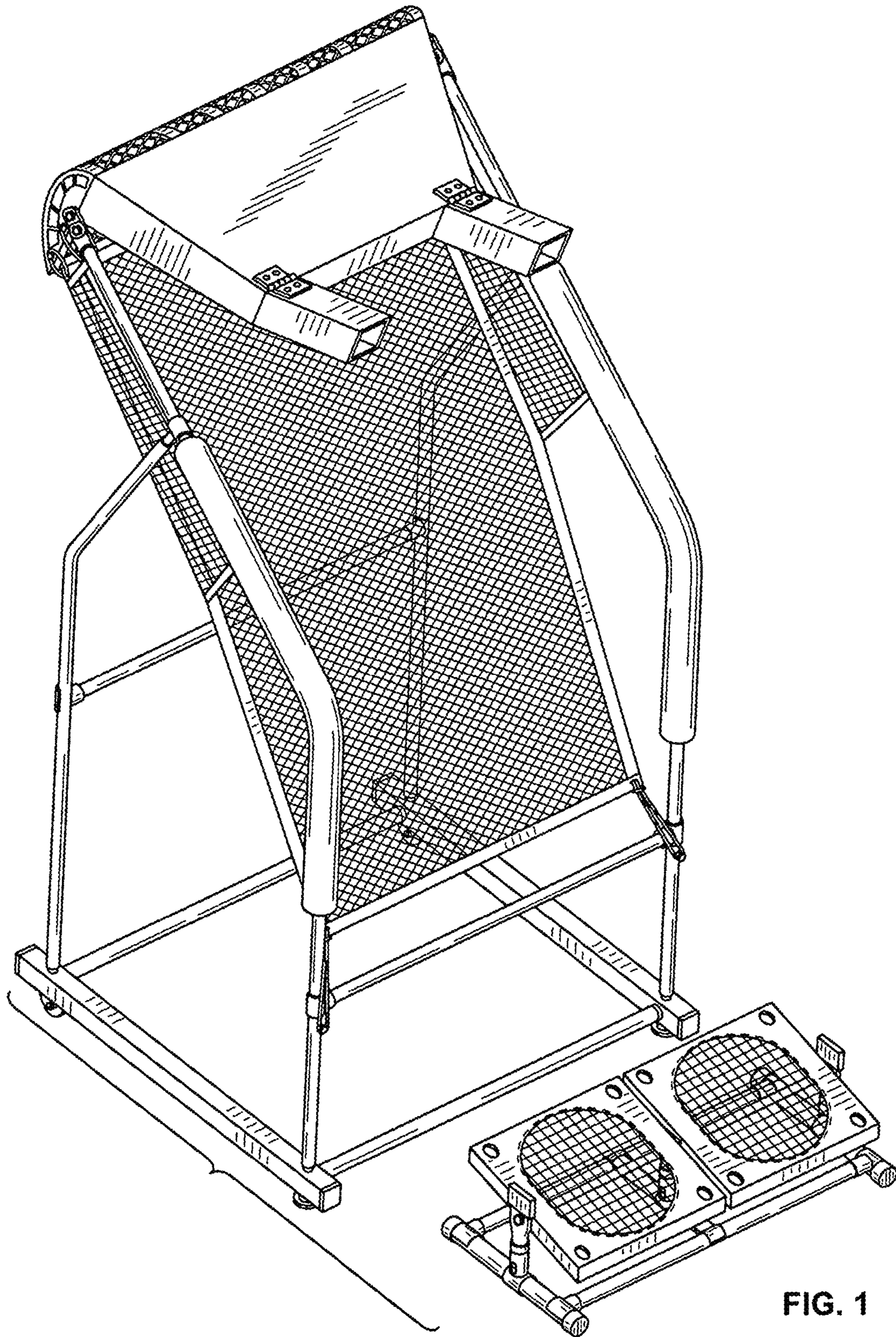


FIG. 1

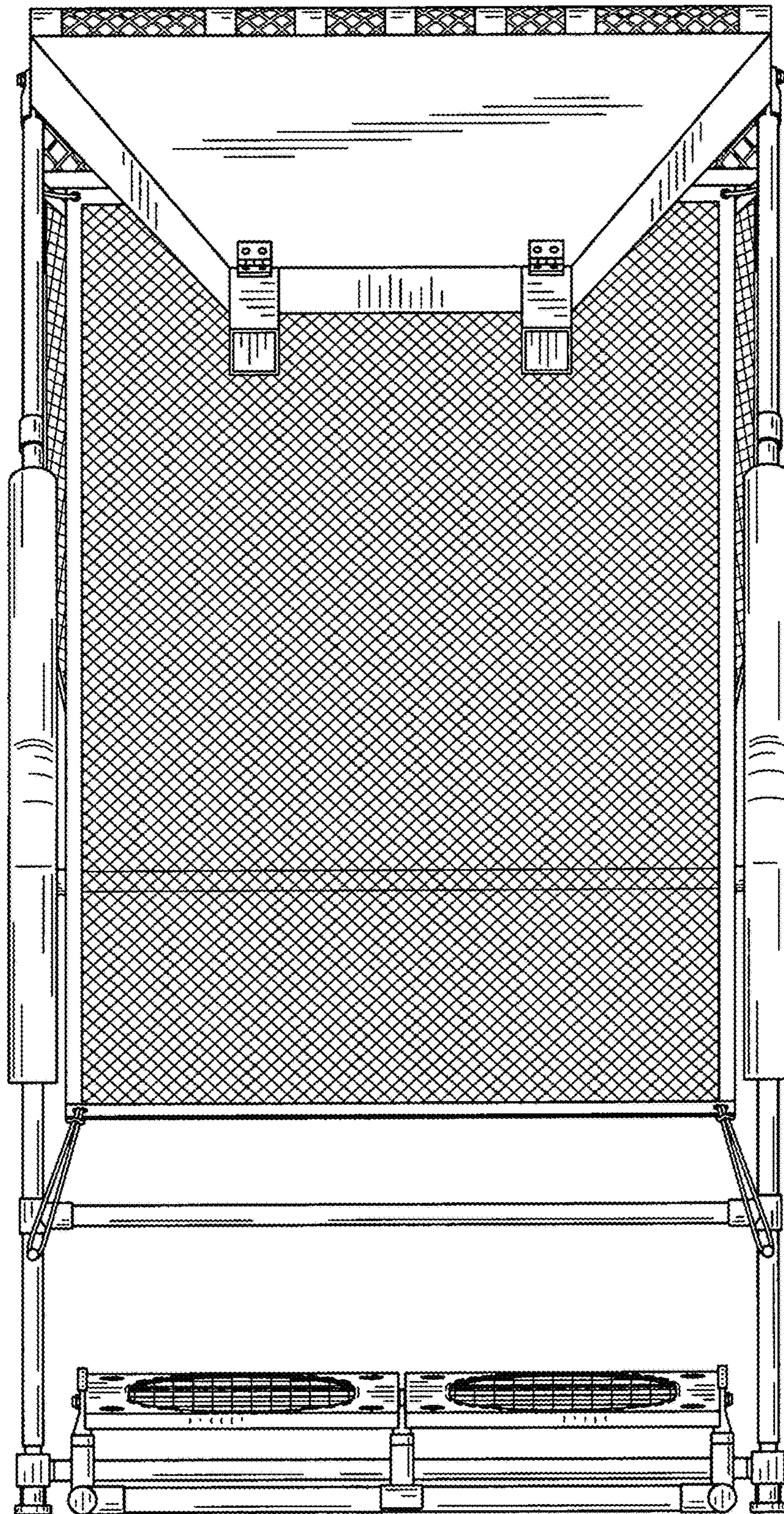


FIG. 2

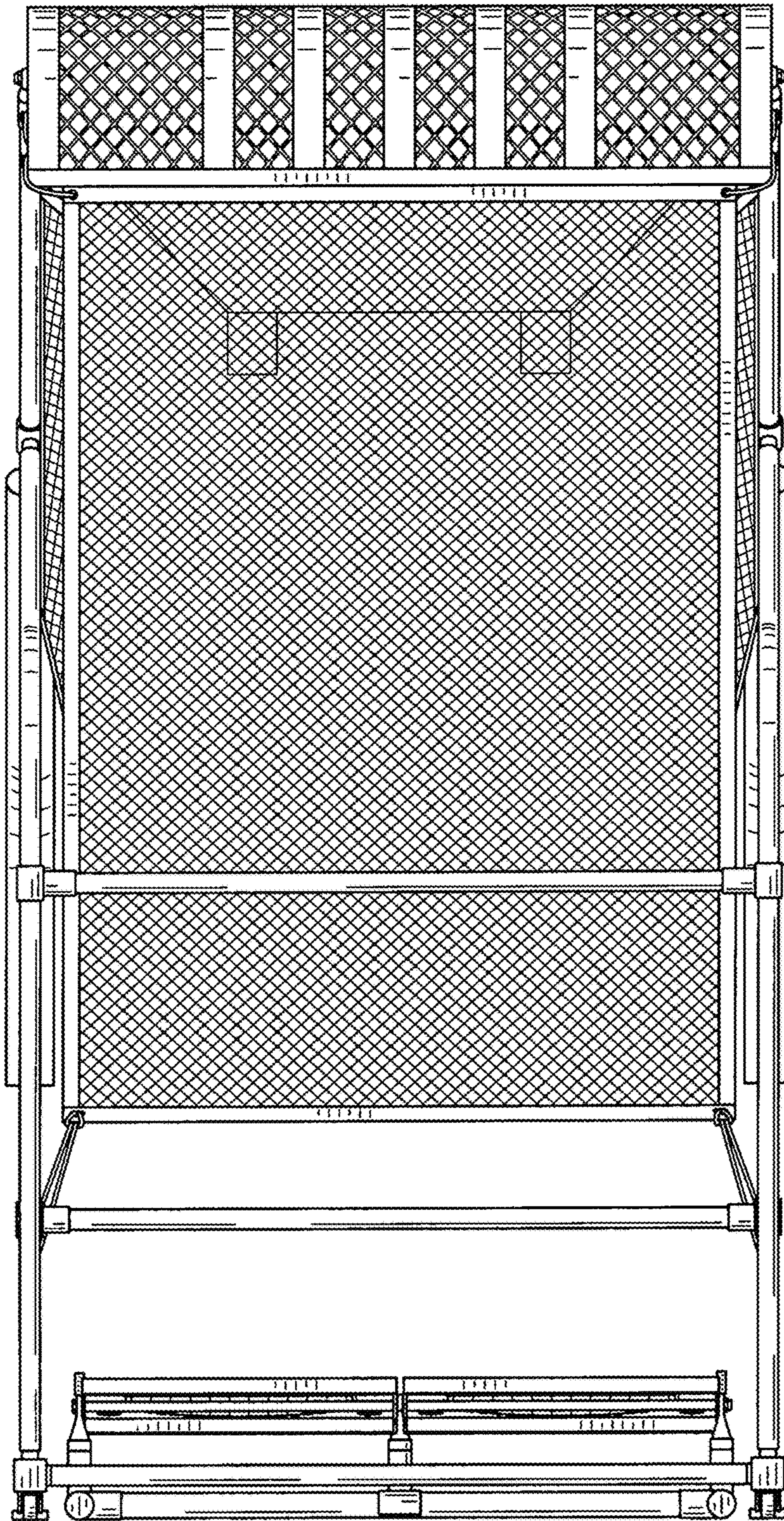


FIG. 3

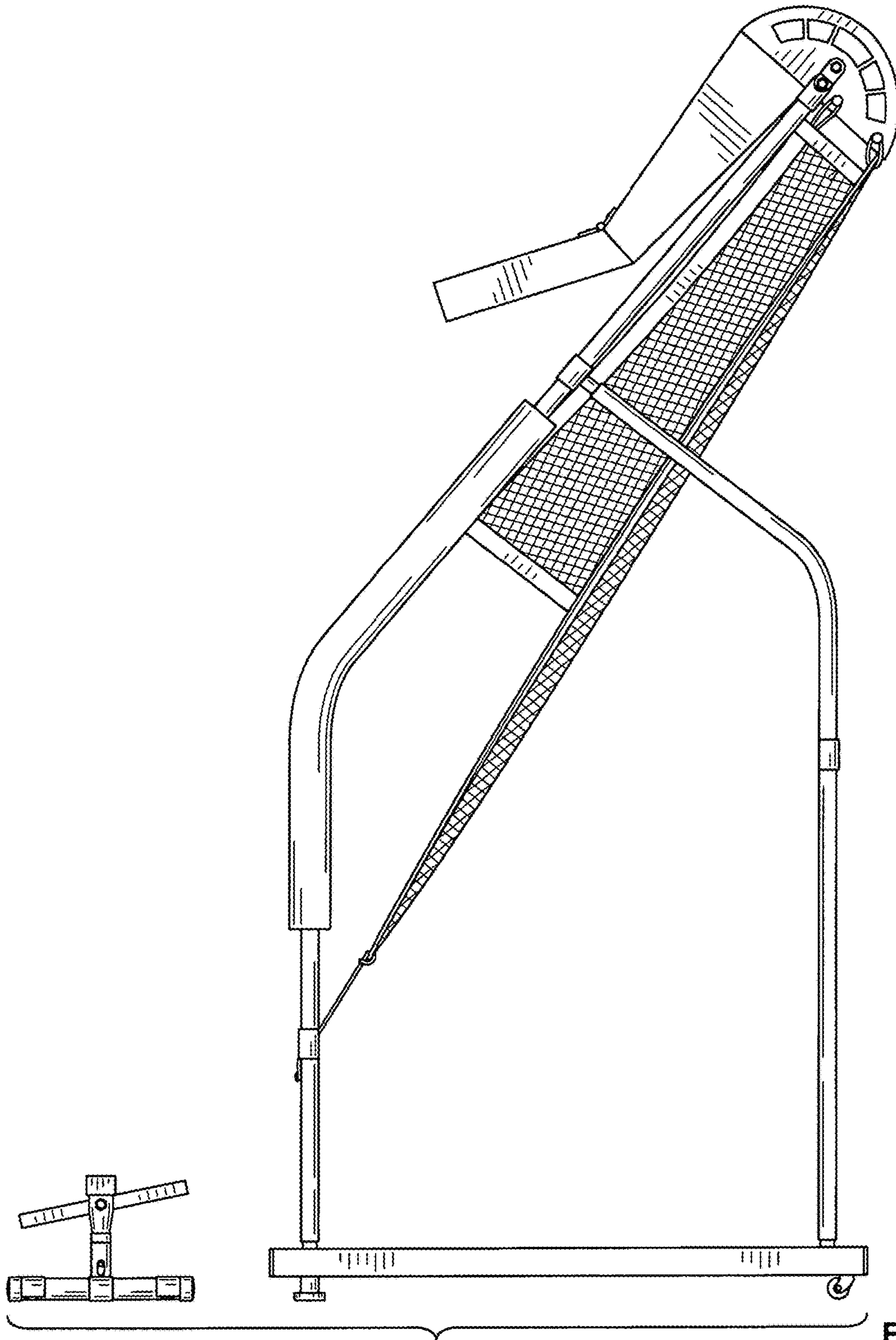


FIG. 4

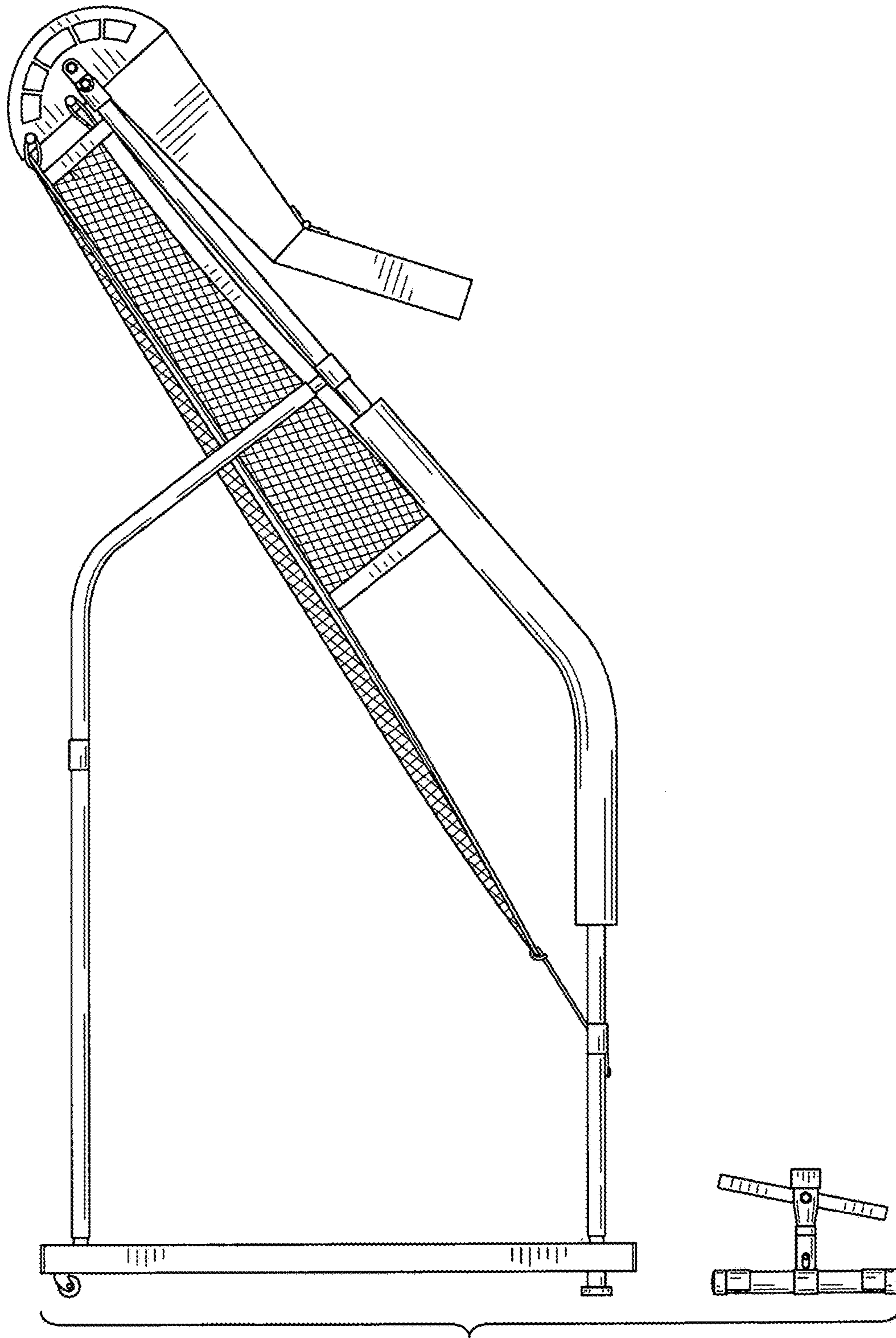


FIG. 5

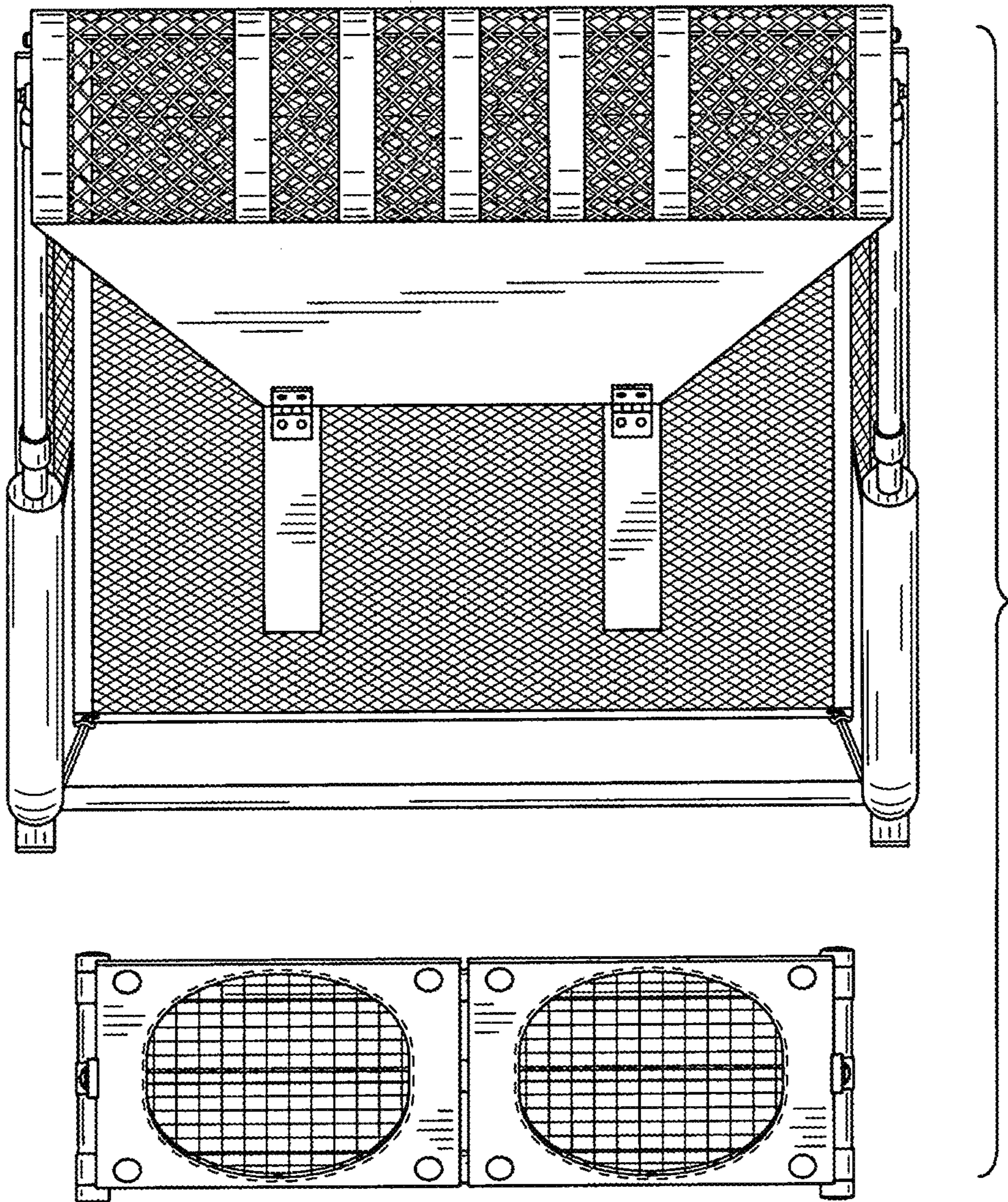


FIG. 6

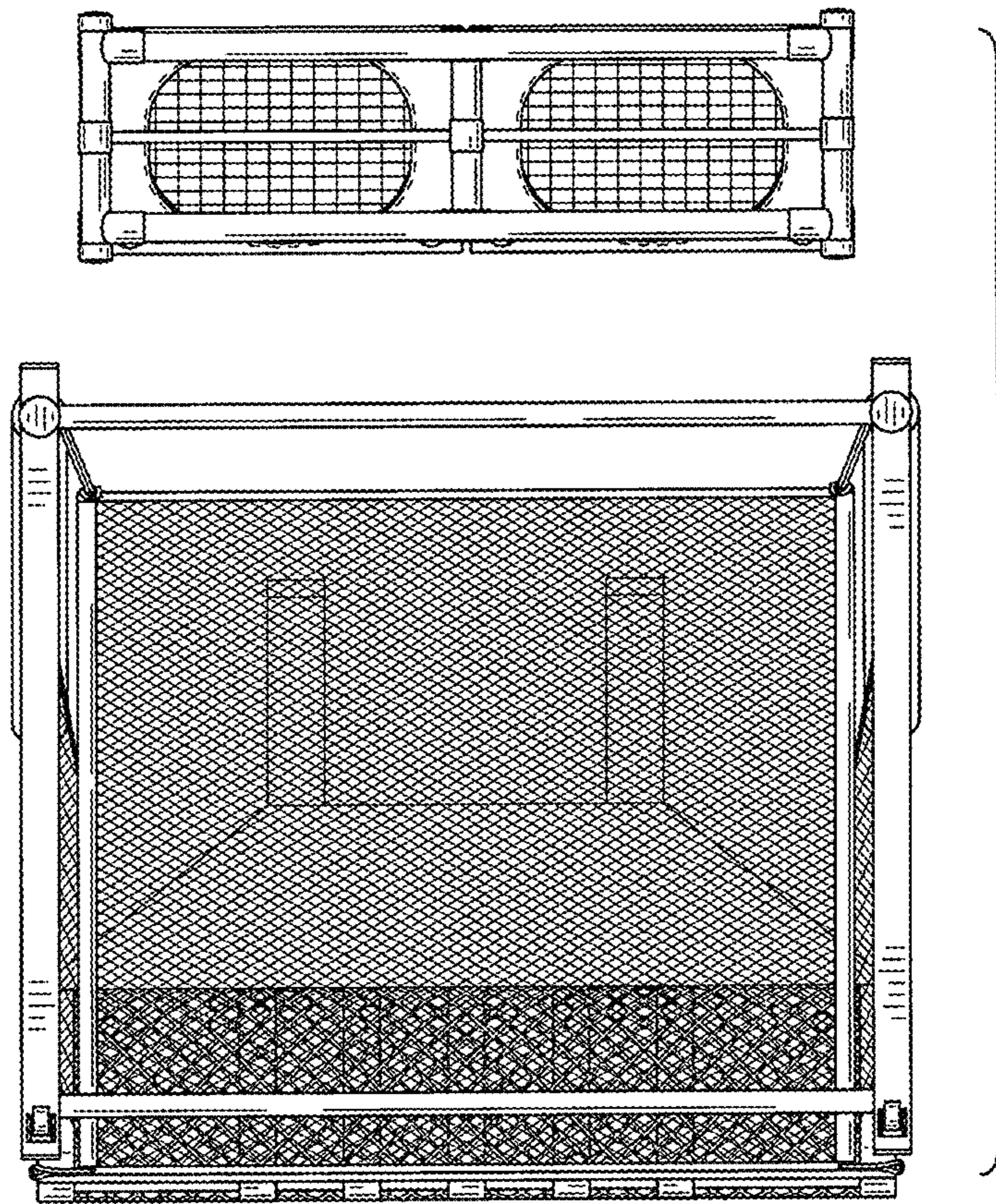


FIG. 7