



US00D789464S

(12) **United States Design Patent**  
**Ladd et al.**

(10) **Patent No.:** **US D789,464 S**  
(45) **Date of Patent:** **\*\* Jun. 13, 2017**

(54) **ENHANCEMENT UNIT FOR UPPER BODY  
CONDITIONING FOR A STATIONARY  
BICYCLE**

(71) Applicants: **Holly Ladd**, Rainbow City, AL (US);  
**David Ladd**, Rainbow City, AL (US)

(72) Inventors: **Holly Ladd**, Rainbow City, AL (US);  
**David Ladd**, Rainbow City, AL (US)

(\*\*) Term: **15 Years**

(21) Appl. No.: **29/550,510**

(22) Filed: **Jan. 5, 2016**

(51) **LOC (10) Cl.** ..... **21-02**

(52) **U.S. Cl.**  
USPC ..... **D21/697**

(58) **Field of Classification Search**  
USPC ..... D6/552; D12/408; D21/662-663, 666,  
D21/670, 668-669, 671, 673-674,  
D21/679-680, 682, 686-687, 691-692,  
D21/694, 697

CPC ..... A63B 21/00; A63B 21/068; A63B 21/078;  
A63B 21/0023; A63B 21/0047; A63B  
22/00; A63B 23/00; A63B 23/12; A63B  
23/218; A63B 24/00; B60R 9/10

See application file for complete search history.

(56) **References Cited**

**U.S. PATENT DOCUMENTS**

4,620,701	A *	11/1986	Mojden	.....	A63B 3/00
					482/142
5,690,593	A *	11/1997	Huang	.....	A63B 21/068
					482/72
6,875,159	B2 *	4/2005	Chuang	.....	A63B 22/14
					482/146
D561,276	S *	2/2008	Bingham, Jr.	.....	D21/697
D567,312	S *	4/2008	Tsai	.....	D21/662
D584,367	S *	1/2009	Augustine	.....	D21/662
D588,655	S *	3/2009	Utykanski	.....	D21/697

7,695,411	B2 *	4/2010	Pandozy	.....	A63B 21/068
					482/62
8,025,616	B1 *	9/2011	Hsu	.....	A63B 22/14
					482/146
8,052,583	B1 *	11/2011	Tsai	.....	A63B 23/03525
					482/132
D671,177	S *	11/2012	Sip	.....	D21/689
8,641,587	B2 *	2/2014	Hongo	.....	A63B 21/00072
					482/131
D724,678	S *	3/2015	Miller, Jr.	.....	D21/691
D727,442	S *	4/2015	Ho	.....	D21/687
9,138,609	B2 *	9/2015	Placide	.....	A63B 21/068
9,446,282	B2 *	9/2016	Thorpe	.....	A63B 21/068
2011/0251028	A1 *	10/2011	Bono	.....	A63B 21/00058
					482/93

(Continued)

*Primary Examiner* — Caron D Veynar

*Assistant Examiner* — Mehri Bajoul

(74) *Attorney, Agent, or Firm* — Dale J. Ream

(57) **CLAIM**

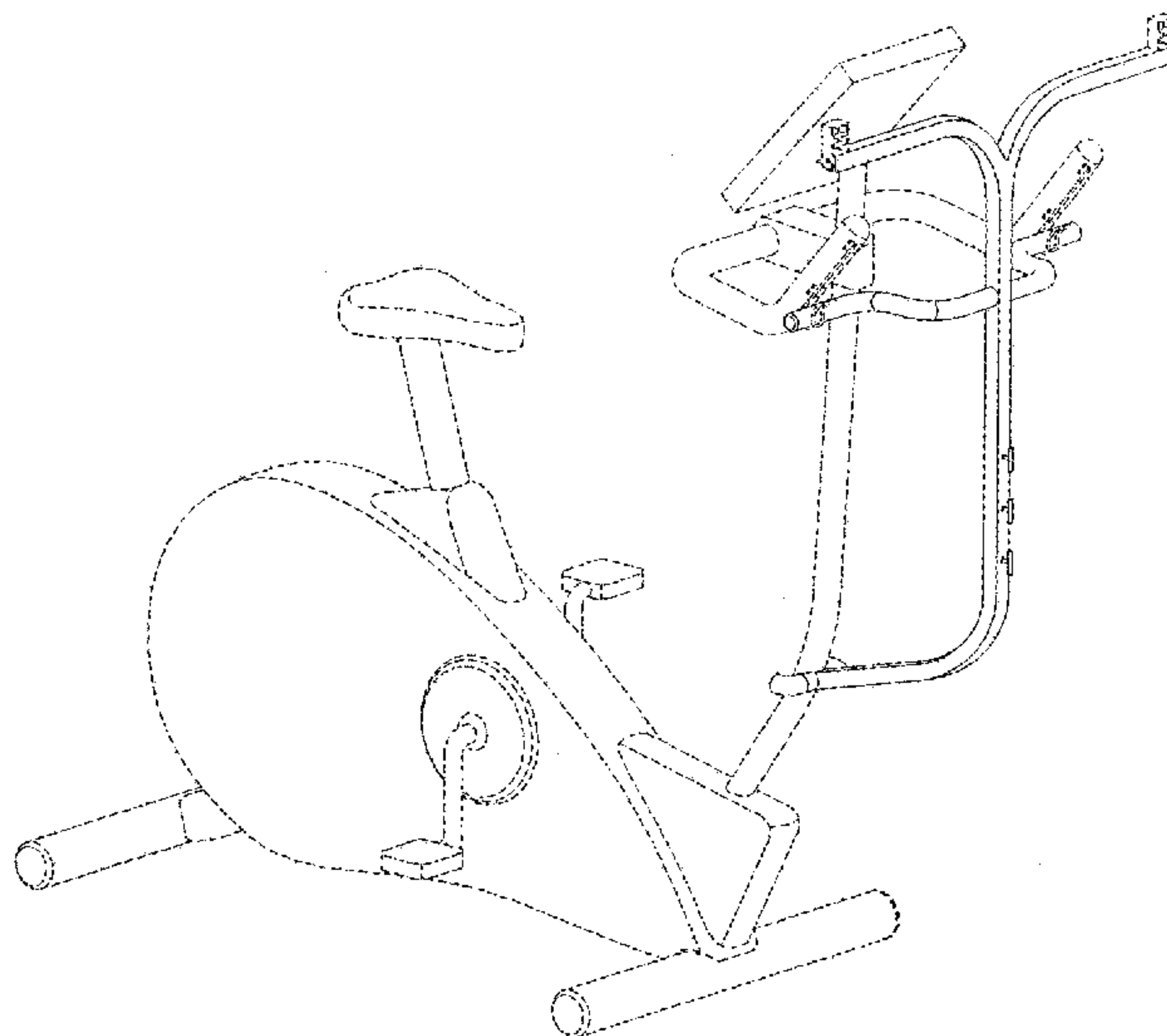
The ornamental design for an enhancement unit for upper body conditioning for a stationary bicycle, as shown and described.

**DESCRIPTION**

FIG. 1 is a perspective view of an enhancement unit for upper body conditioning for a stationary bicycle in use; FIG. 2 is a perspective view of an enhancement unit for upper body conditioning for a stationary bicycle removed from the stationary bicycle; FIG. 3 is a front view thereof; FIG. 4 is a back view thereof; FIG. 5 is a top view thereof; FIG. 6 is a bottom view thereof; FIG. 7 is a left side view thereof; and, FIG. 8 is a right side view thereof.

In the drawings, the broken lines showing a stationary bicycle illustrate environment and form no part of the claimed design.

**1 Claim, 7 Drawing Sheets**



(56)

**References Cited**

U.S. PATENT DOCUMENTS

2012/0115694 A1\* 5/2012 Chen ..... A63B 22/205  
482/142  
2013/0102443 A1\* 4/2013 Lundquist ..... A63B 21/068  
482/93  
2014/0274607 A1\* 9/2014 Kaye ..... A63B 21/0557  
482/130  
2015/0080190 A1\* 3/2015 Kaan ..... A63B 69/16  
482/57  
2015/0126348 A1\* 5/2015 Kaye ..... A63B 21/0442  
482/130  
2015/0265873 A1\* 9/2015 Wang ..... A63B 71/0619  
482/63  
2015/0343265 A1\* 12/2015 Wang ..... A63B 24/0087  
482/5

\* cited by examiner

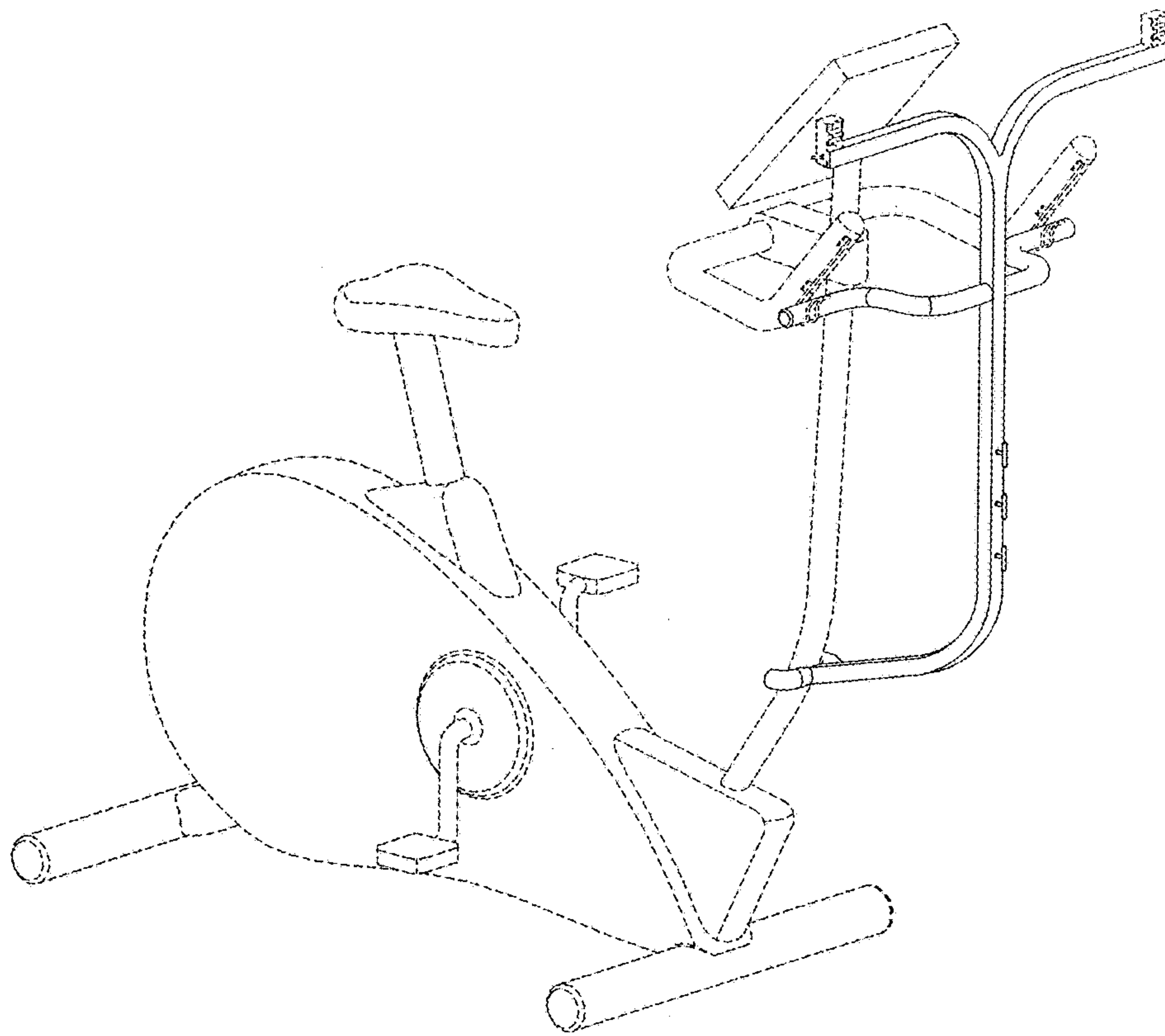


FIG. 1

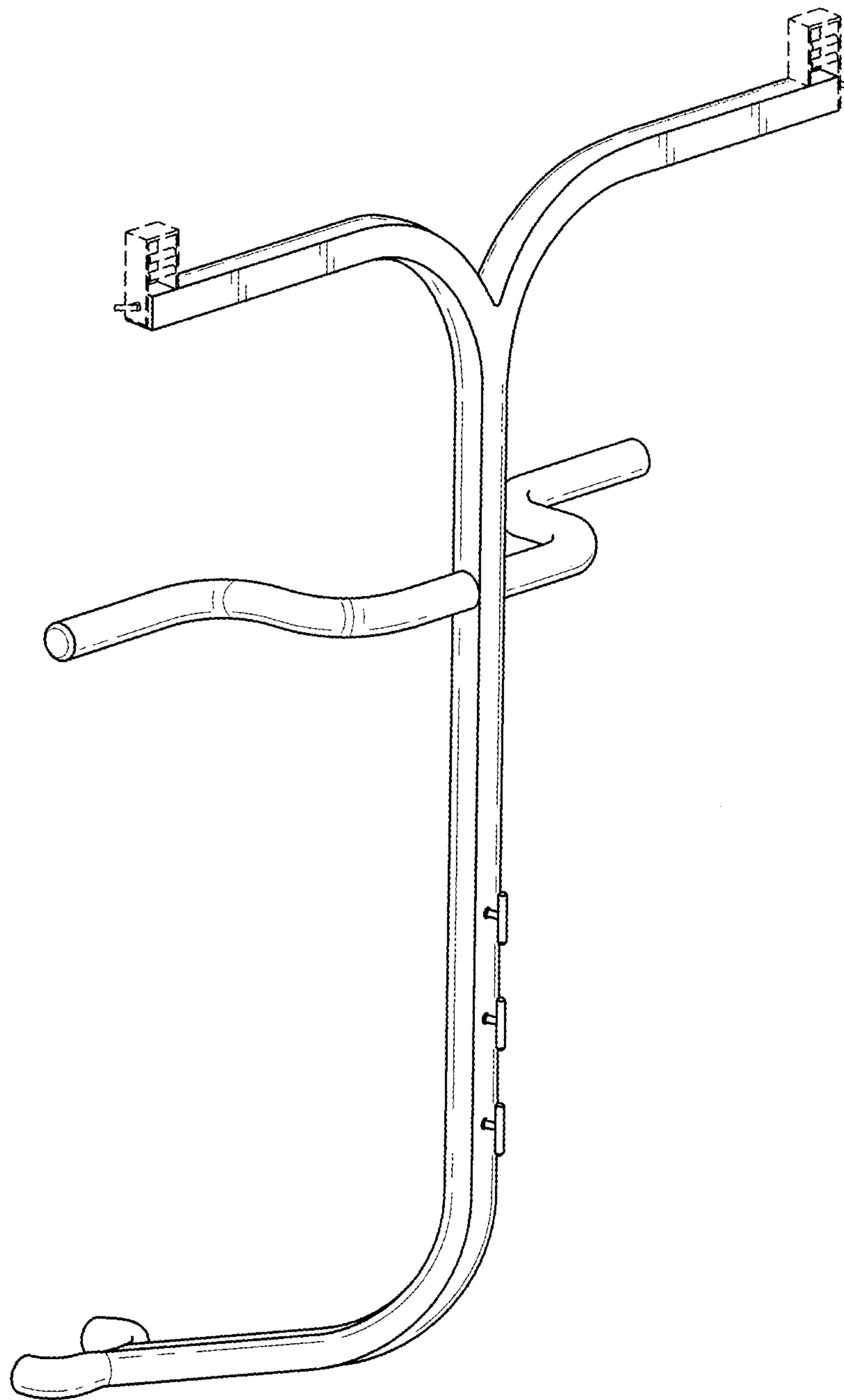


FIG. 2

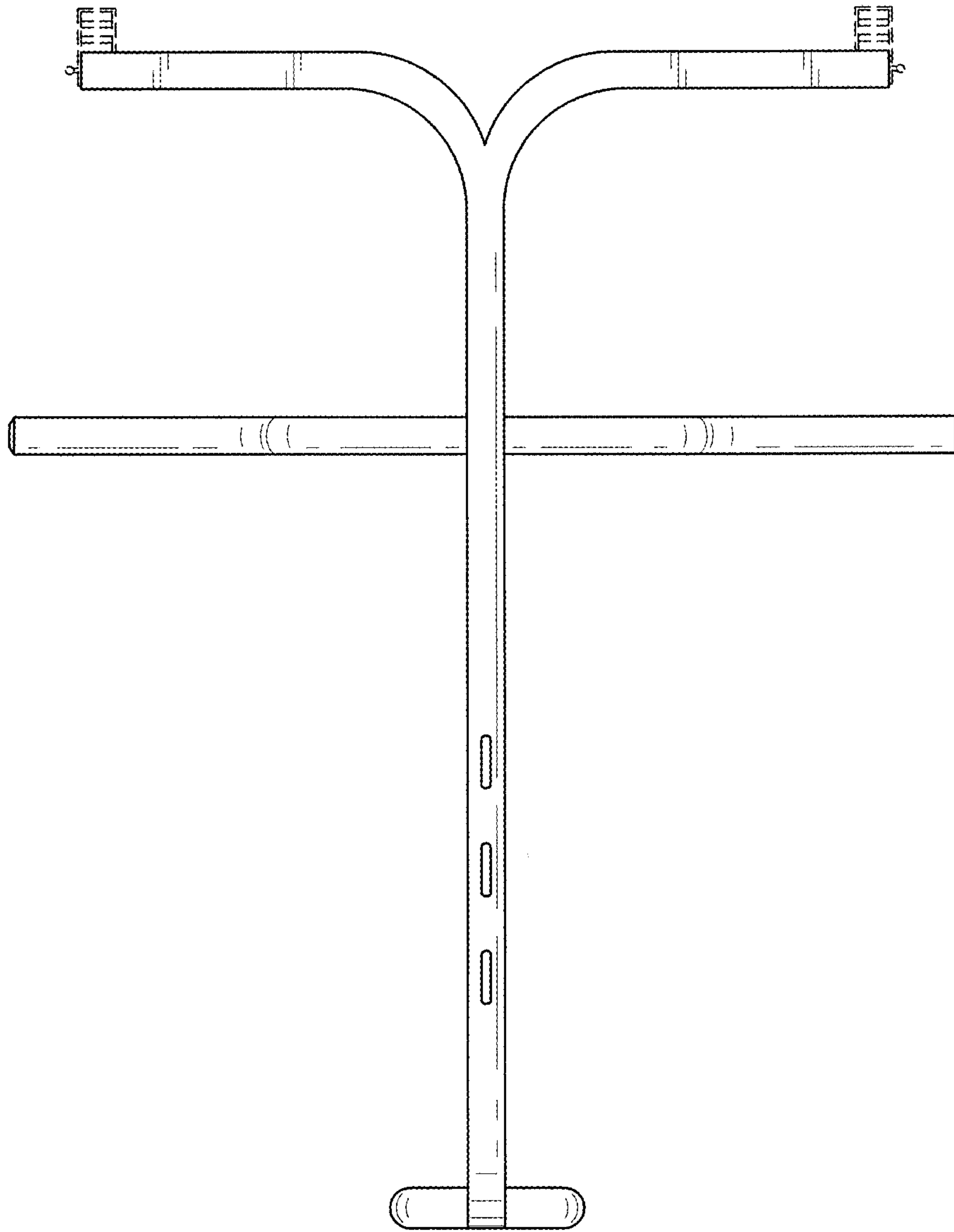


FIG. 3

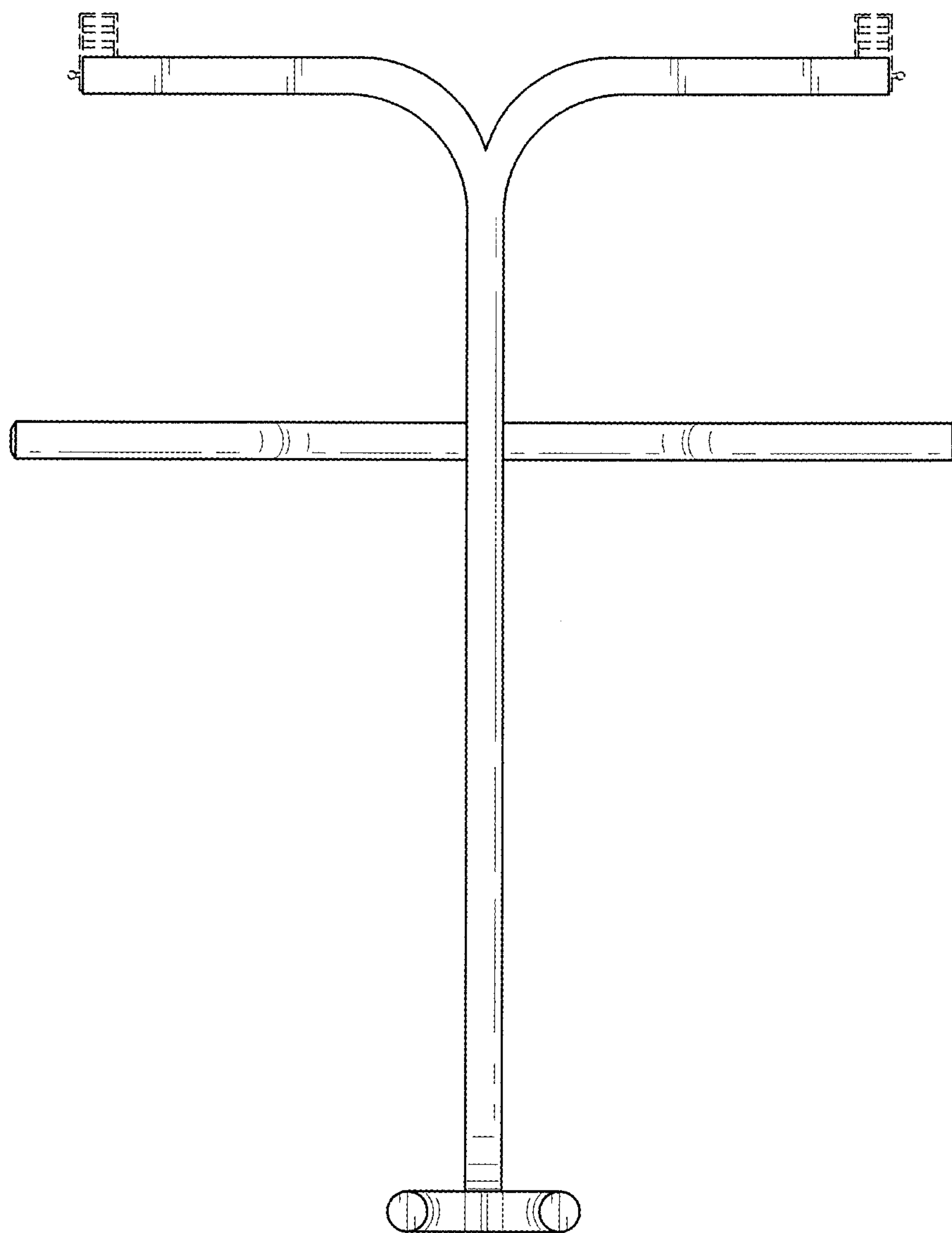


FIG. 4

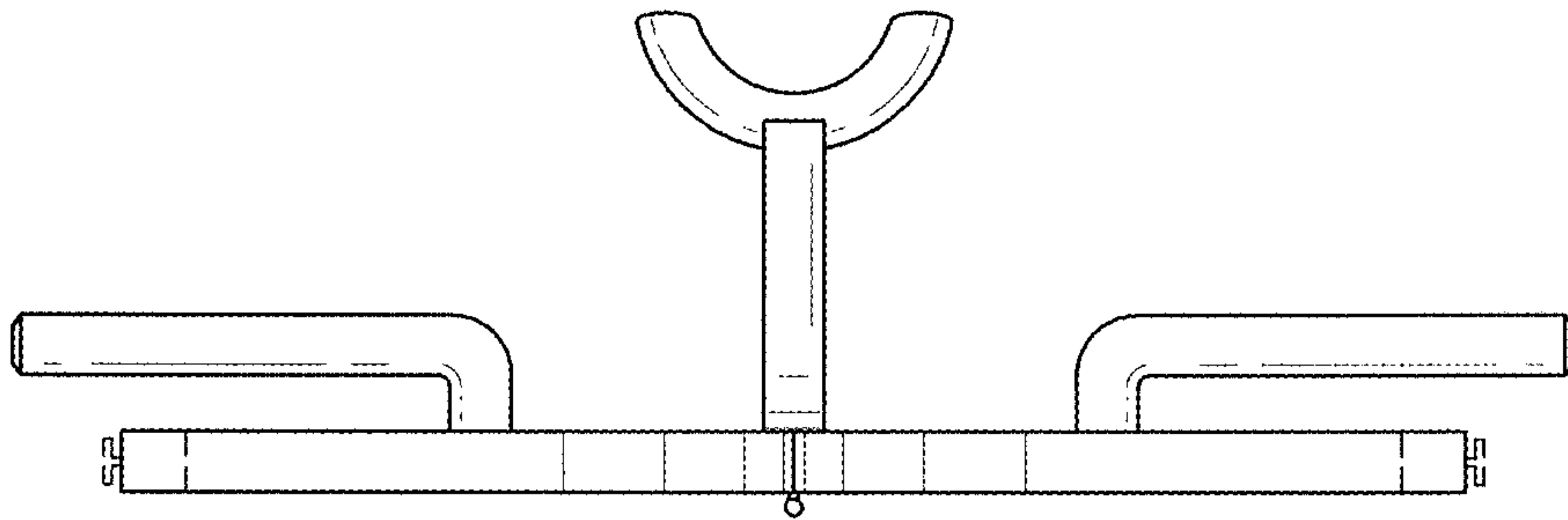


FIG. 5

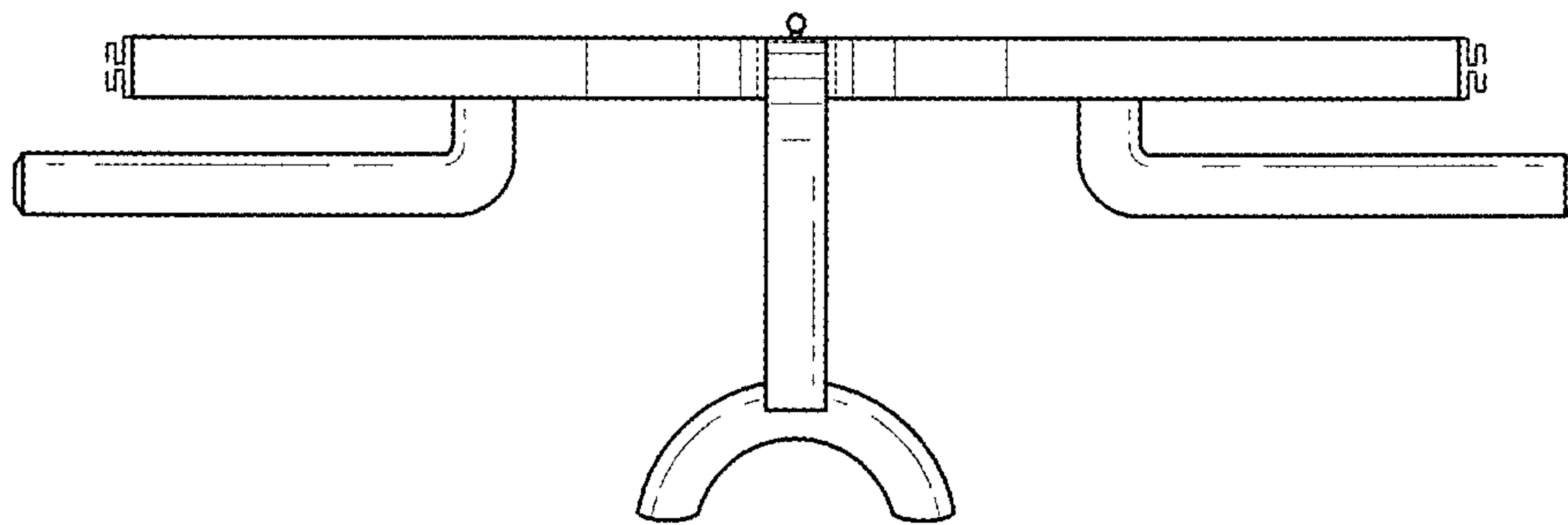


FIG. 6

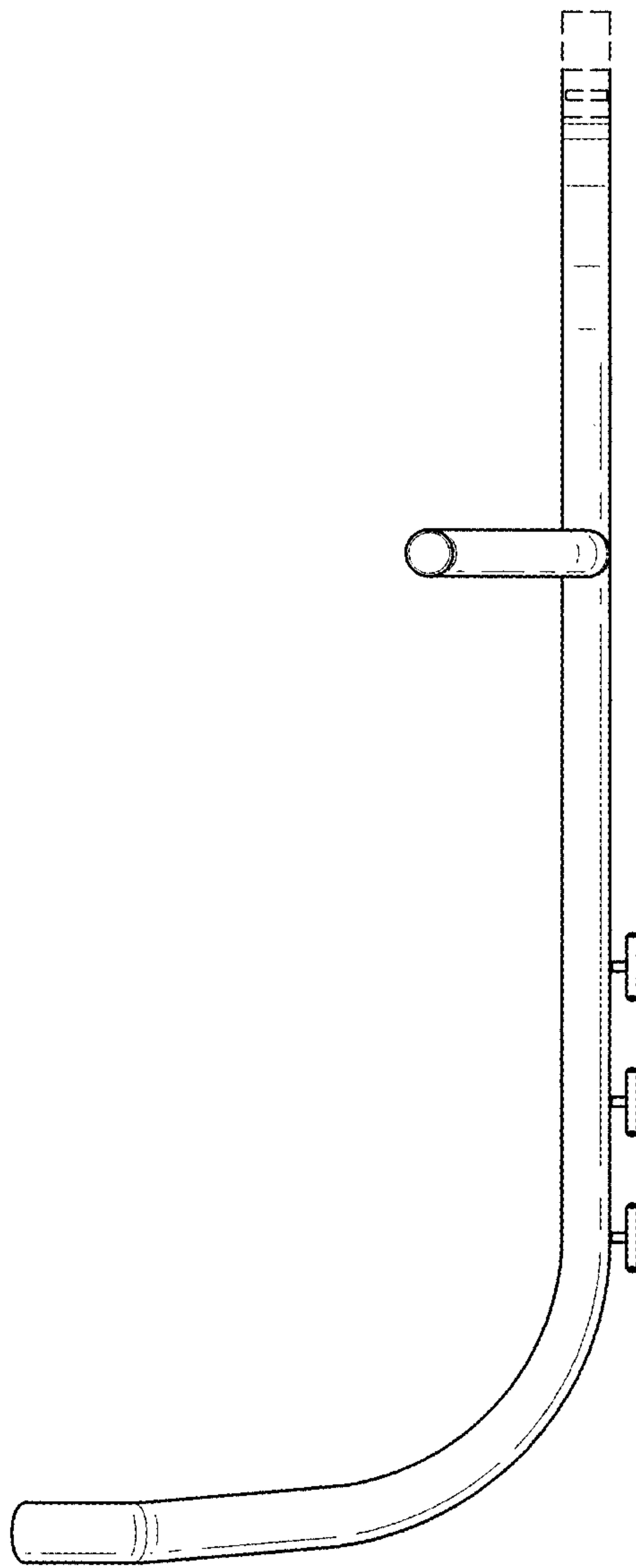


FIG. 7



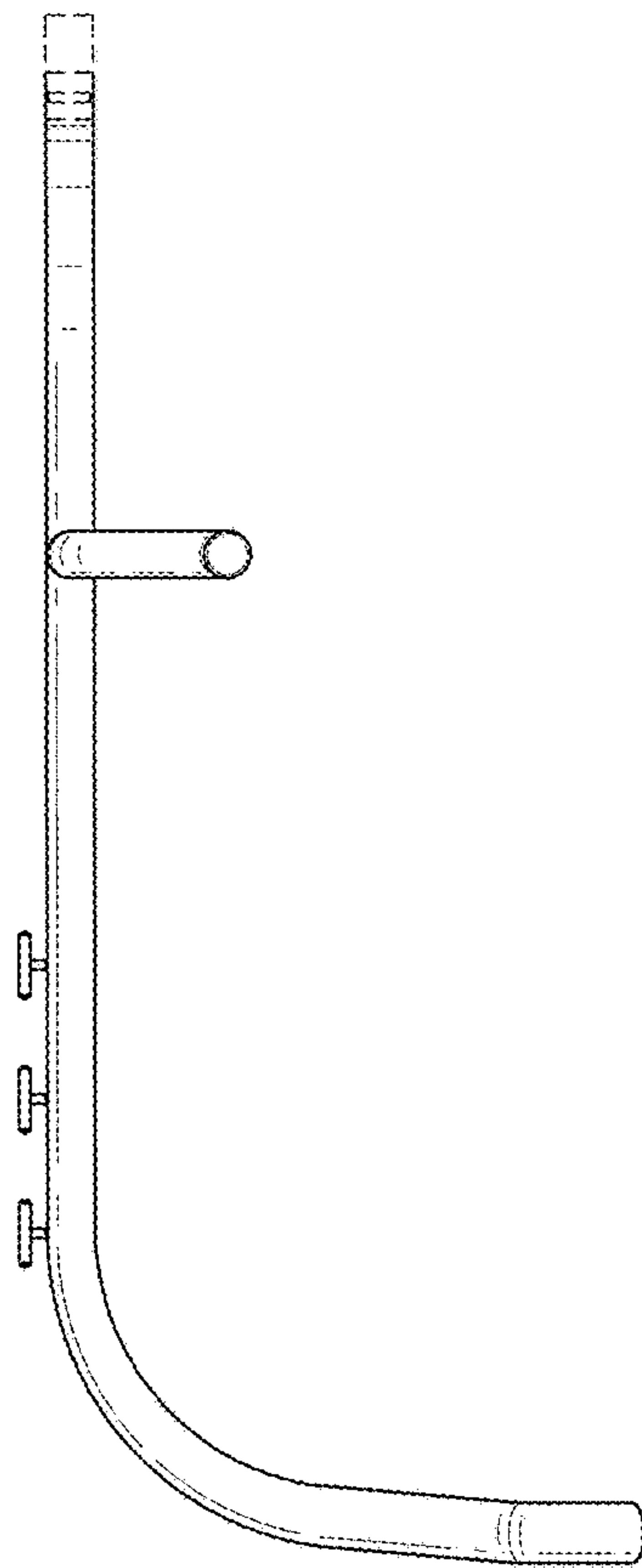


FIG. 8