



US00D789462S

(12) **United States Design Patent**
Ho et al.

(10) **Patent No.:** **US D789,462 S**
(45) **Date of Patent:** **** Jun. 13, 2017**

(54) **ABDOMINAL EXERCISE PLATFORM WITH WHEELS**

(71) Applicants: **Wei-Teh Ho**, Taipei (TW); **Willy Wei Yu Ho**, Taipei (TW)

(72) Inventors: **Wei-Teh Ho**, Taipei (TW); **Willy Wei Yu Ho**, Taipei (TW)

(**) Term: **15 Years**

(21) Appl. No.: **29/546,210**

(22) Filed: **Nov. 19, 2015**

(51) **LOC (10) Cl.** **21-02**

(52) **U.S. Cl.**
USPC **D21/687**

(58) **Field of Classification Search**
USPC 482/142, 122, 115, 108, 145, 140, 105, 482/111, 123, 121, 126, 144, 143, 148, 482/106, 130, 129, 132, 96, 131, 133, 482/124, 110, 127, 72, 147, 51, 71, 139, 482/97, 92, 137, 98, 1, 907, 908, 95, 112, 482/141, 146, 109; D21/687, 662, 690, D21/676, 423, 691, 686, 688, 681; 273/449; 472/103; 297/259.1, 16.1, 175, 297/445.1, 353, 440.15, 215.12, 313, 328, 297/383, 423.46; 140/121, 122, 123, 124, 140/90; 601/24, 49, 120, 131, 46; 108/6; 248/397; 292/338, 313; D6/353
CPC A63B 23/0211; A63B 21/0552; A63B 2208/0233; A63B 21/1492; A63B 23/0233; Y10S 482/907
See application file for complete search history.

(56) **References Cited**

U.S. PATENT DOCUMENTS

- 3,940,181 A * 2/1976 Cheek, Jr. A47C 16/025 108/6
- 4,903,963 A * 2/1990 Garnett A63B 23/0216 482/112

- 5,333,931 A * 8/1994 Weddendorf A61G 5/14 297/330
- D420,070 S * 2/2000 Zarillo D21/687
- D476,384 S * 6/2003 Perez D21/687
- 6,945,604 B2 * 9/2005 Splane, Jr. A61G 5/14 297/313
- 7,179,212 B2 * 2/2007 Hsiung A63B 23/02 482/140
- D573,209 S * 7/2008 Ellison D21/690
- D581,471 S * 11/2008 Mishan D21/687
- D582,996 S * 12/2008 Mehta D21/689
- 7,608,030 B2 * 10/2009 Splane A63B 21/4047 482/140
- 7,686,750 B2 * 3/2010 Tuller A63B 21/4047 482/123
- 7,803,096 B2 * 9/2010 Mehta A63B 22/14 482/112
- D647,153 S * 10/2011 Mishan D21/687
- D656,207 S * 3/2012 Mishan D21/687
- 8,465,402 B2 * 6/2013 Ehmann A63B 22/205 482/140

(Continued)

Primary Examiner — Robert M Spear
Assistant Examiner — Ryan Harvey
(74) *Attorney, Agent, or Firm* — Blakely, Sokoloff, Taylor & Zafman LLP

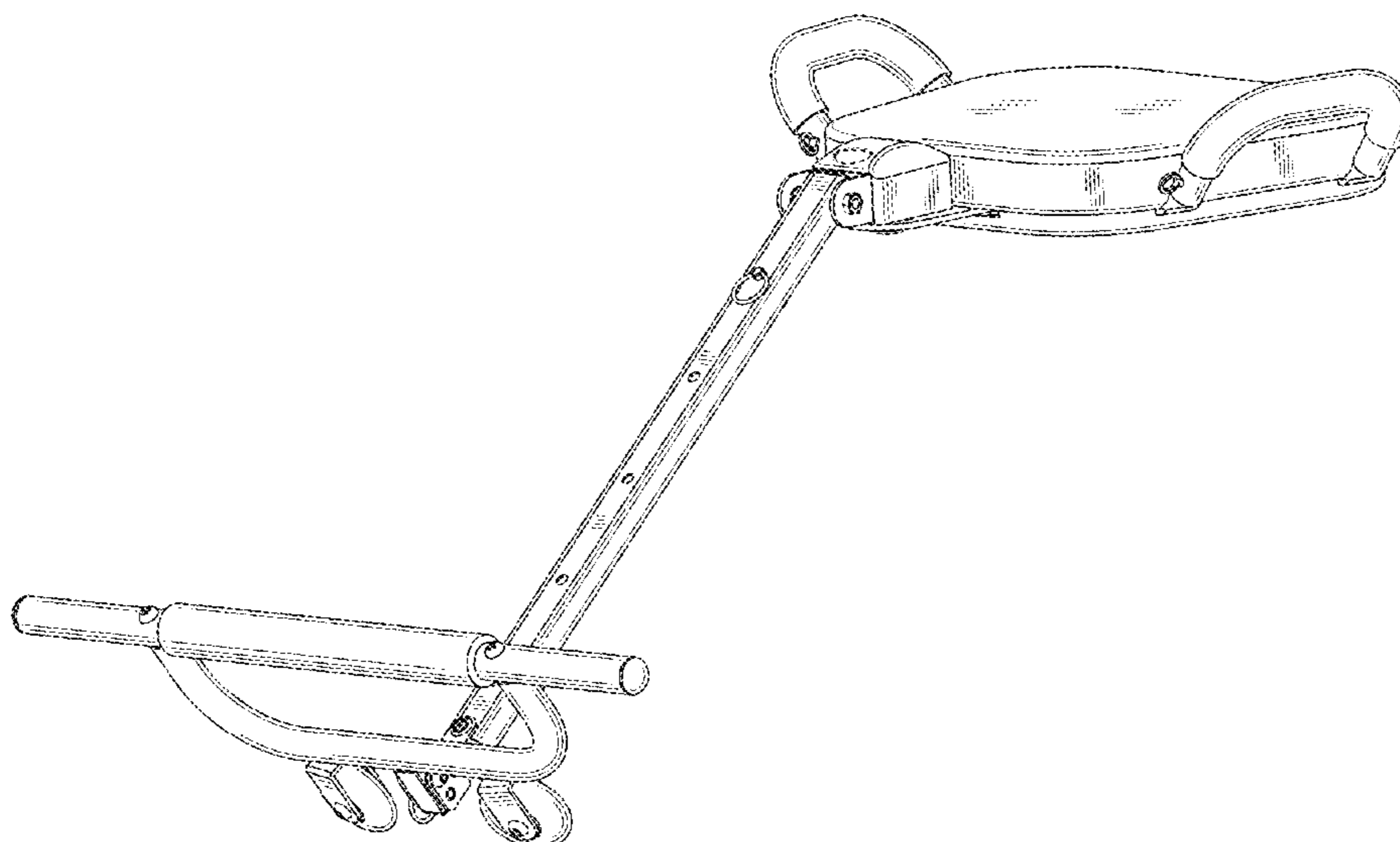
(57) **CLAIM**

The ornamental design for an abdominal exercise platform with wheels, as shown and described.

DESCRIPTION

FIG. 1 is a perspective view showing the new design for an abdominal exercise platform with wheels;
FIG. 2 is a front view thereof;
FIG. 3 is a rear view thereof;
FIG. 4 is a right view thereof;
FIG. 5 is a left view thereof;
FIG. 6 is a top view thereof; and,
FIG. 7 is a bottom view thereof.

1 Claim, 7 Drawing Sheets



(56)

References Cited

U.S. PATENT DOCUMENTS

D698,876	S *	2/2014	Ho	D21/688
D703,280	S *	4/2014	Ho	D21/687
D723,638	S *	3/2015	Zhu	D21/690
D741,421	S *	10/2015	Ho	D21/687
D743,494	S *	11/2015	Ho	D21/687
9,227,105	B2 *	1/2016	Ehmann	A63B 21/0442
2003/0036461	A1 *	2/2003	Yang	B62K 3/002
					482/51
2003/0130100	A1 *	7/2003	Perez	A63B 21/068
					482/140
2007/0298945	A1 *	12/2007	Mehta	A63B 22/14
					482/130
2014/0011644	A1 *	1/2014	Ho	A63B 21/068
					482/96
2014/0162852	A1 *	6/2014	Ho	A63B 21/023
					482/127

* cited by examiner

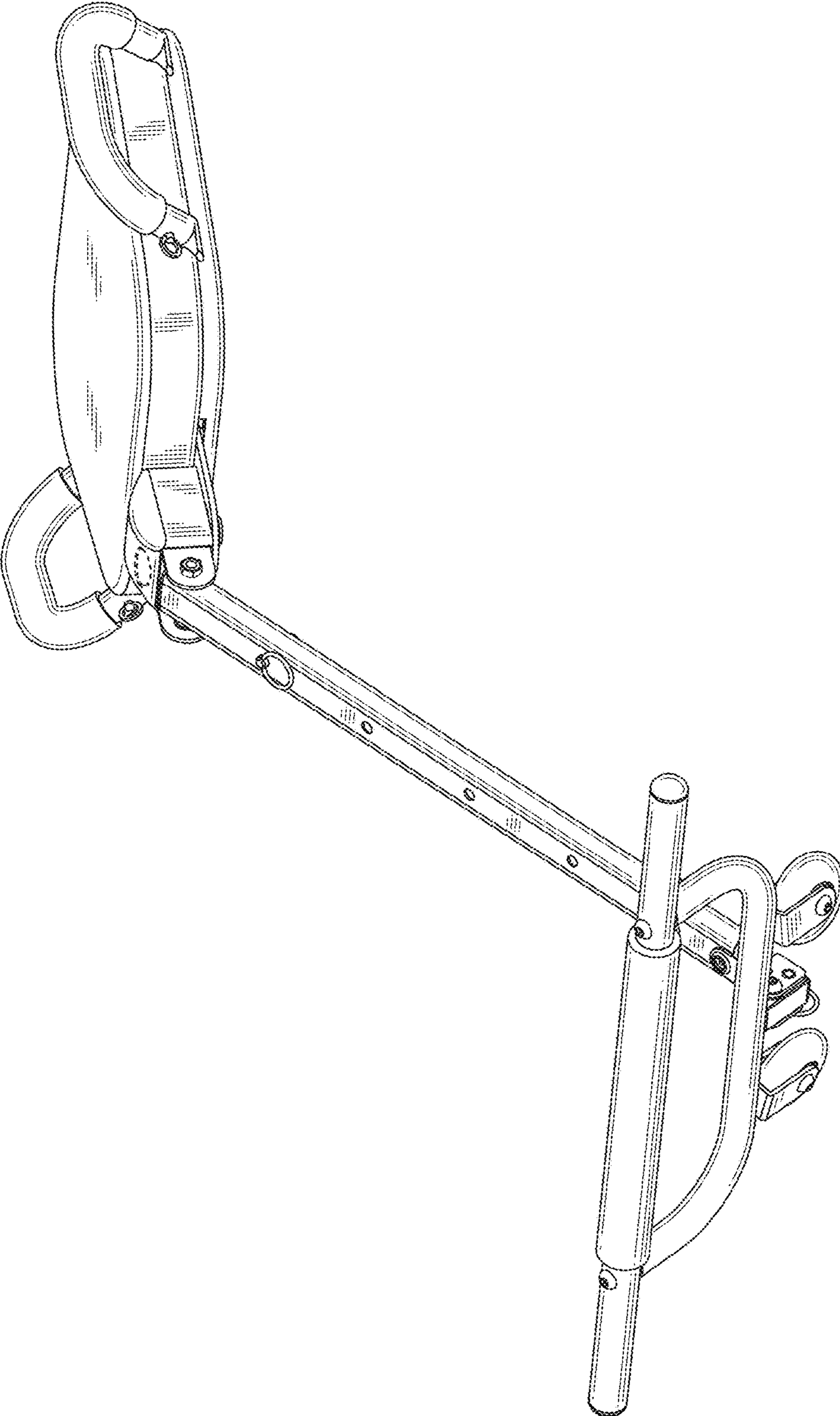


FIG. 1

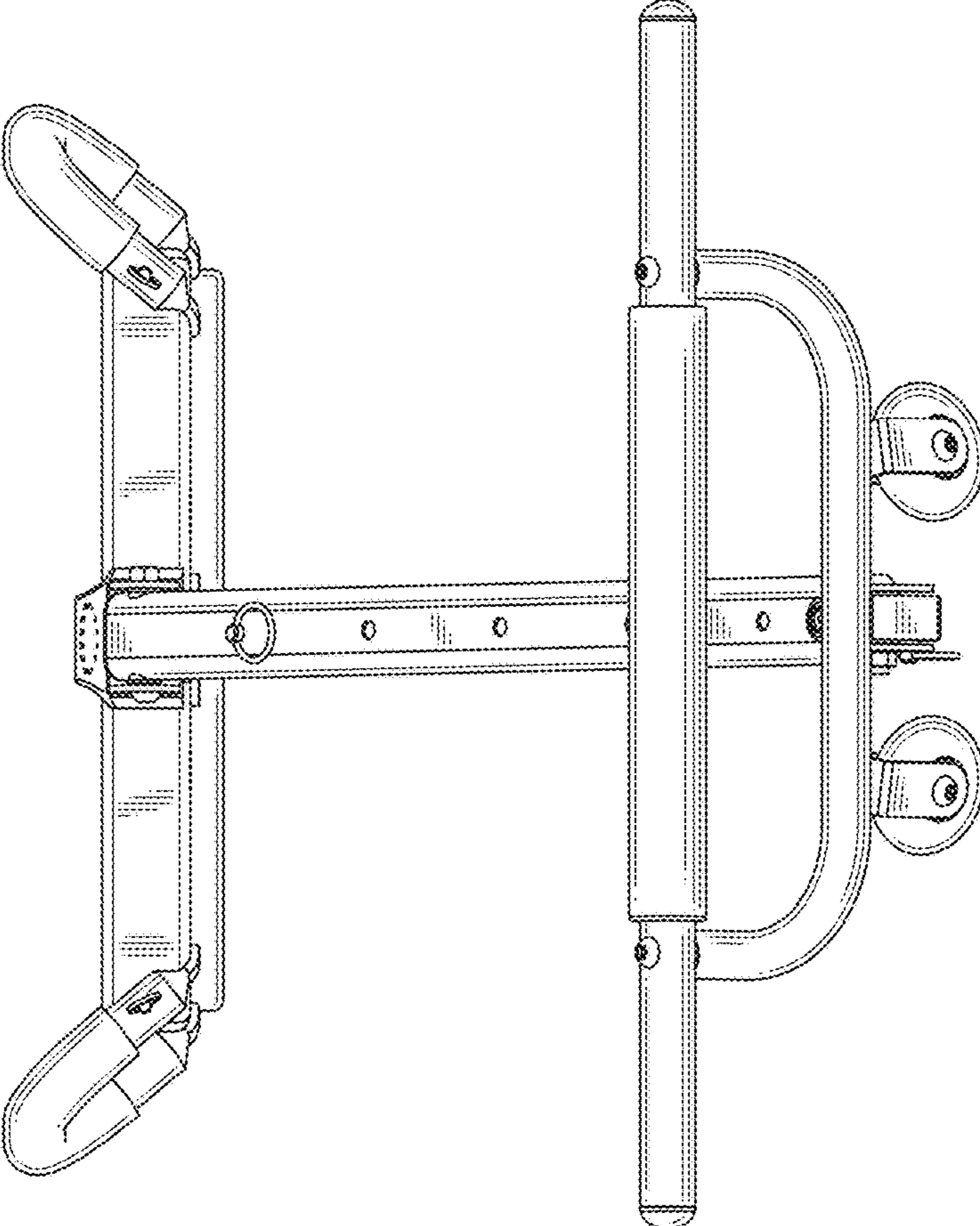


FIG. 2

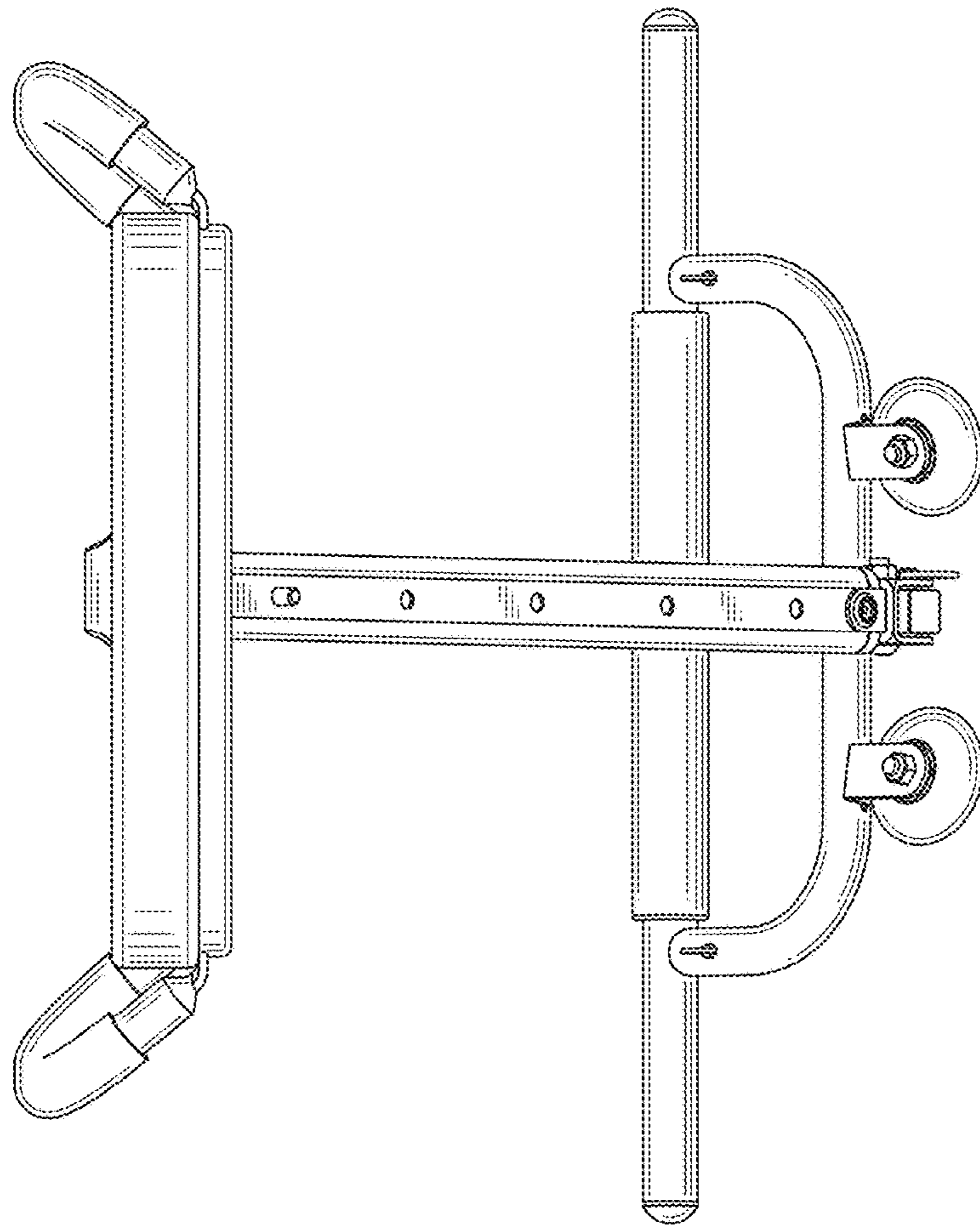


FIG. 3

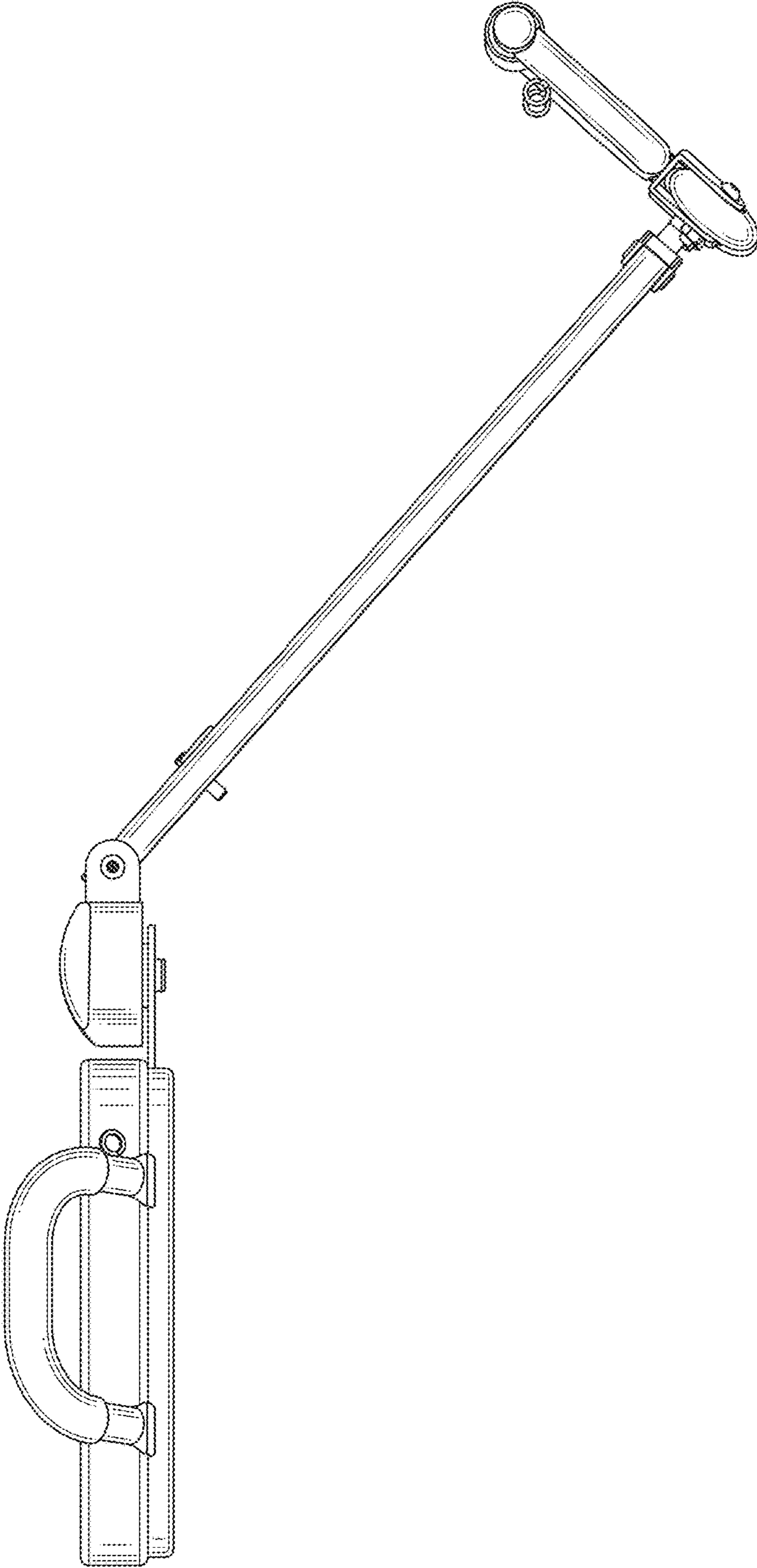


FIG. 4

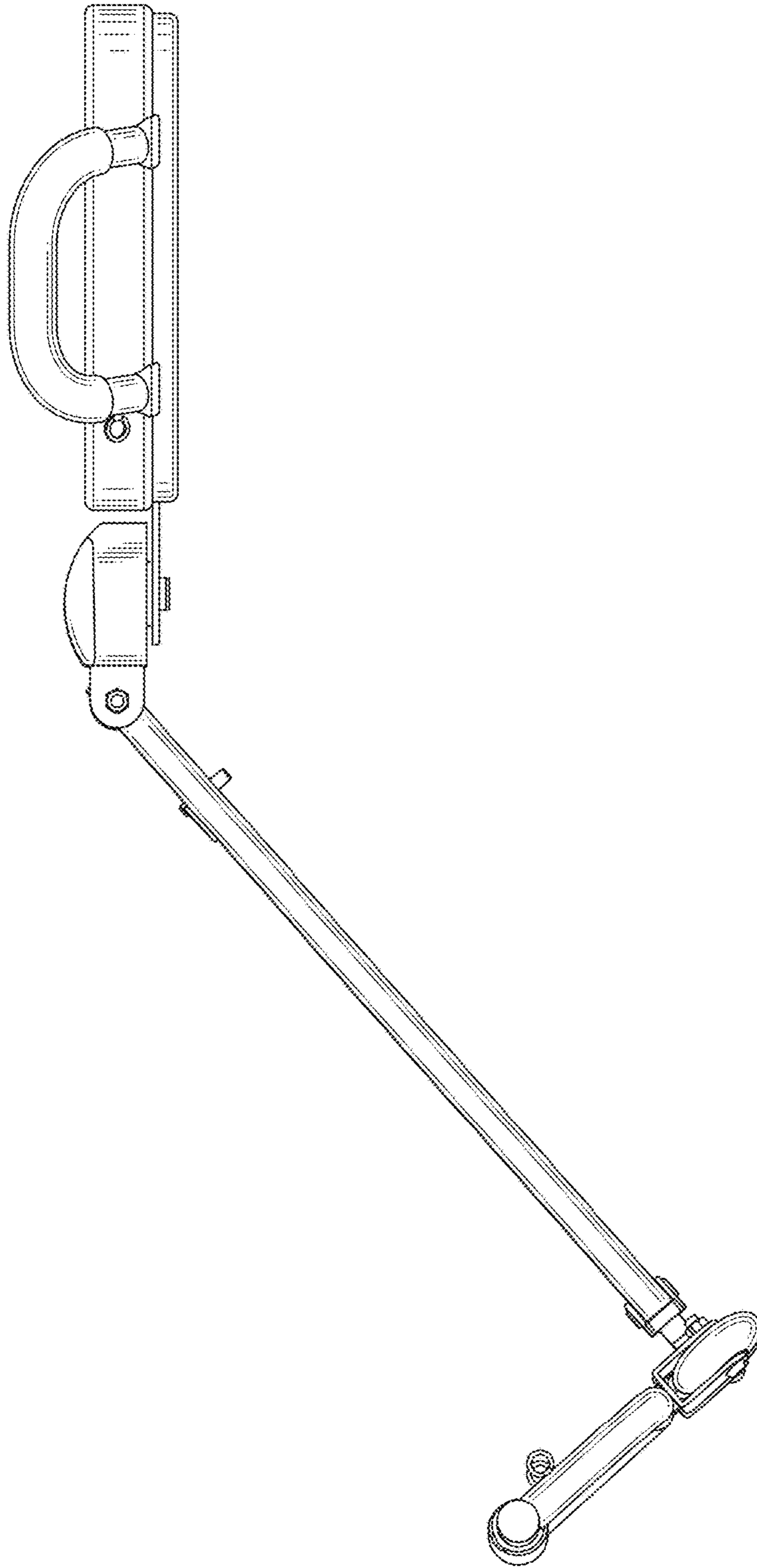


FIG. 5

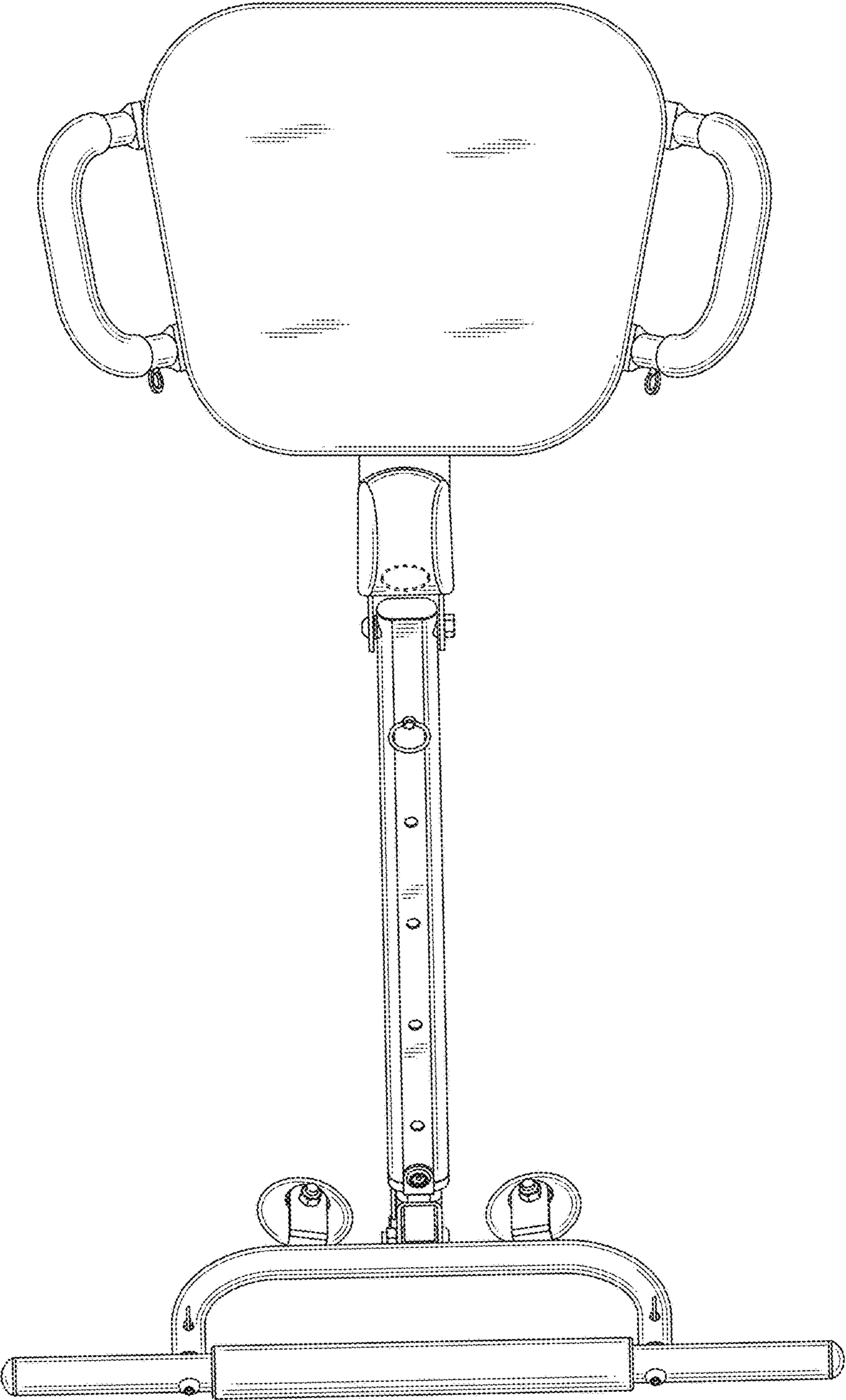


FIG. 6

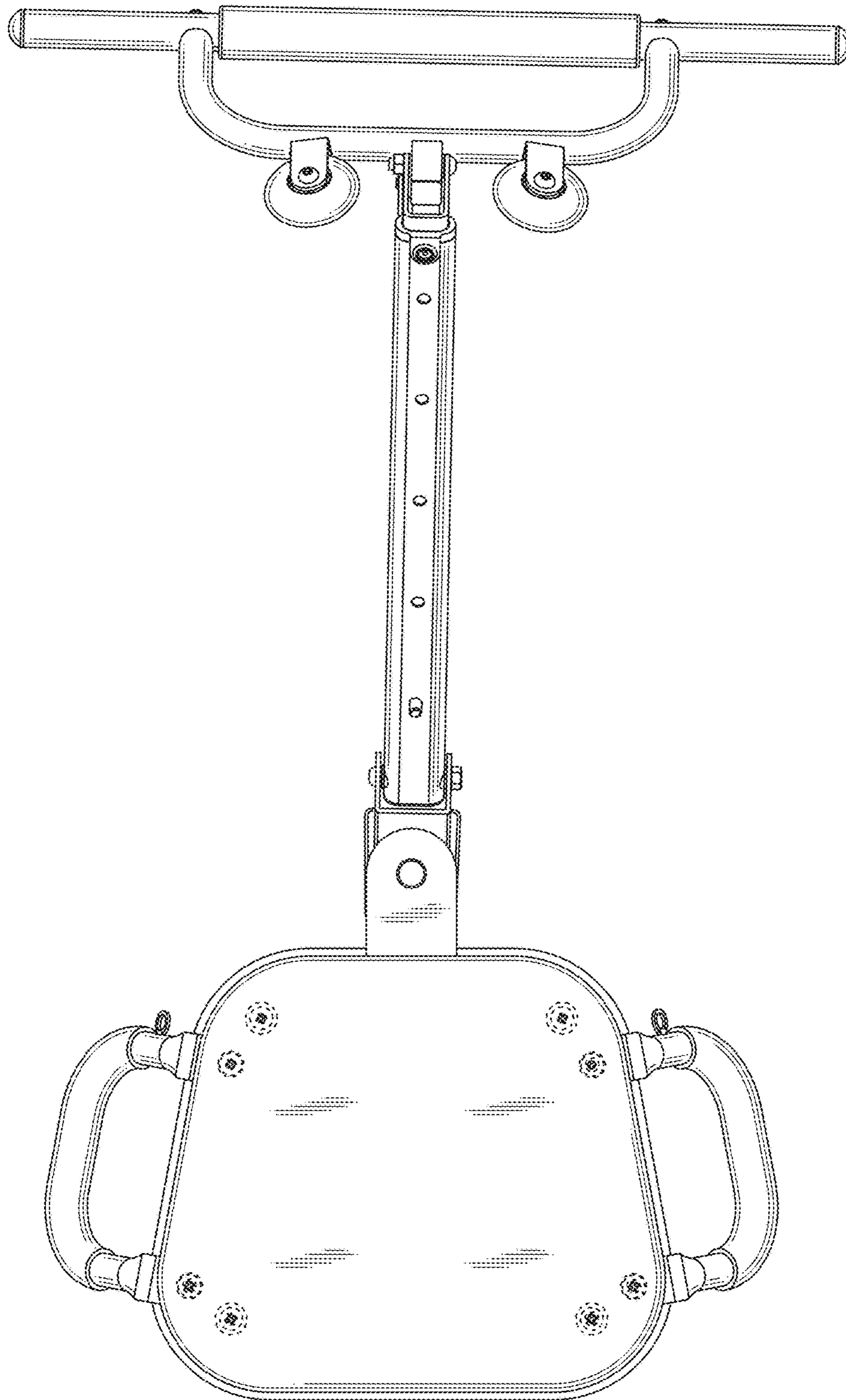


FIG. 7