



US00D789461S

(12) **United States Design Patent**
Magloire

(10) **Patent No.:** **US D789,461 S**

(45) **Date of Patent:** **** Jun. 13, 2017**

(54) **EXERCISE BALL**

(71) Applicant: **Vladimir Magloire**, Coral Springs, FL
(US)

(72) Inventor: **Vladimir Magloire**, Coral Springs, FL
(US)

(**) Term: **14 Years**

(21) Appl. No.: **29/525,265**

(22) Filed: **Apr. 28, 2015**

(51) **LOC (10) Cl.** **21-02**

(52) **U.S. Cl.**
USPC **D21/682**

(58) **Field of Classification Search**

USPC D21/662, 688, 713, 671, 692, 803, 680,
D21/398, 707, 678, 684, 714, 412, 421,
D21/413; 482/93, 106, 92, 132, 140,
482/141, 51, 907, 96, 125, 111, 910, 79,
482/123, 121, 112, 148, 909, 91, 122,
482/131, 126, 142, 129, 105, 147, 146,
482/77, 135, 108, 62; D30/160, 117;
446/220, 226, 448; 473/596, 576;
601/131, 23

CPC A63B 23/1236; A63B 21/4035; A63B
2208/12; A63B 21/0552; A63B 21/0557;
A63B 23/12; A63B 41/00; A63B 21/0442

See application file for complete search history.

(56) **References Cited**

U.S. PATENT DOCUMENTS

2,115,926 A * 5/1938 Hatton A63B 43/02
473/596
D241,869 S * 10/1976 Hilprecht D21/713
D242,865 S * 12/1976 Stamm D21/682

(Continued)

Primary Examiner — Robert M Spear

Assistant Examiner — Ryan Harvey

(74) *Attorney, Agent, or Firm* — Nancy J. Flint, Esq.;
Nancy J. Flint, Attorney At Law, P.A.

(57) **CLAIM**

The ornamental design for an exercise ball, as shown and described.

DESCRIPTION

FIG. 1 is a front perspective view of a first embodiment of an exercise ball showing my new design;

FIG. 2 is a front view of the first embodiment of the exercise ball;

FIG. 3 is a rear view of the first embodiment of the exercise ball;

FIG. 4 is a left side view of the first embodiment of the exercise ball;

FIG. 5 is a top view of the first embodiment of the exercise ball;

FIG. 6 is a bottom view of the first embodiment of the exercise ball;

FIG. 7 is a front view of the first embodiment of the exercise ball as used;

FIG. 8 is a front perspective view of a second embodiment of an exercise ball;

FIG. 9 is a back perspective view of the second embodiment of the exercise ball;

FIG. 10 is a front view of the second embodiment of the exercise ball;

FIG. 11 is a rear view of the second embodiment of the exercise ball;

FIG. 12 is a left side view of the second embodiment of the exercise ball;

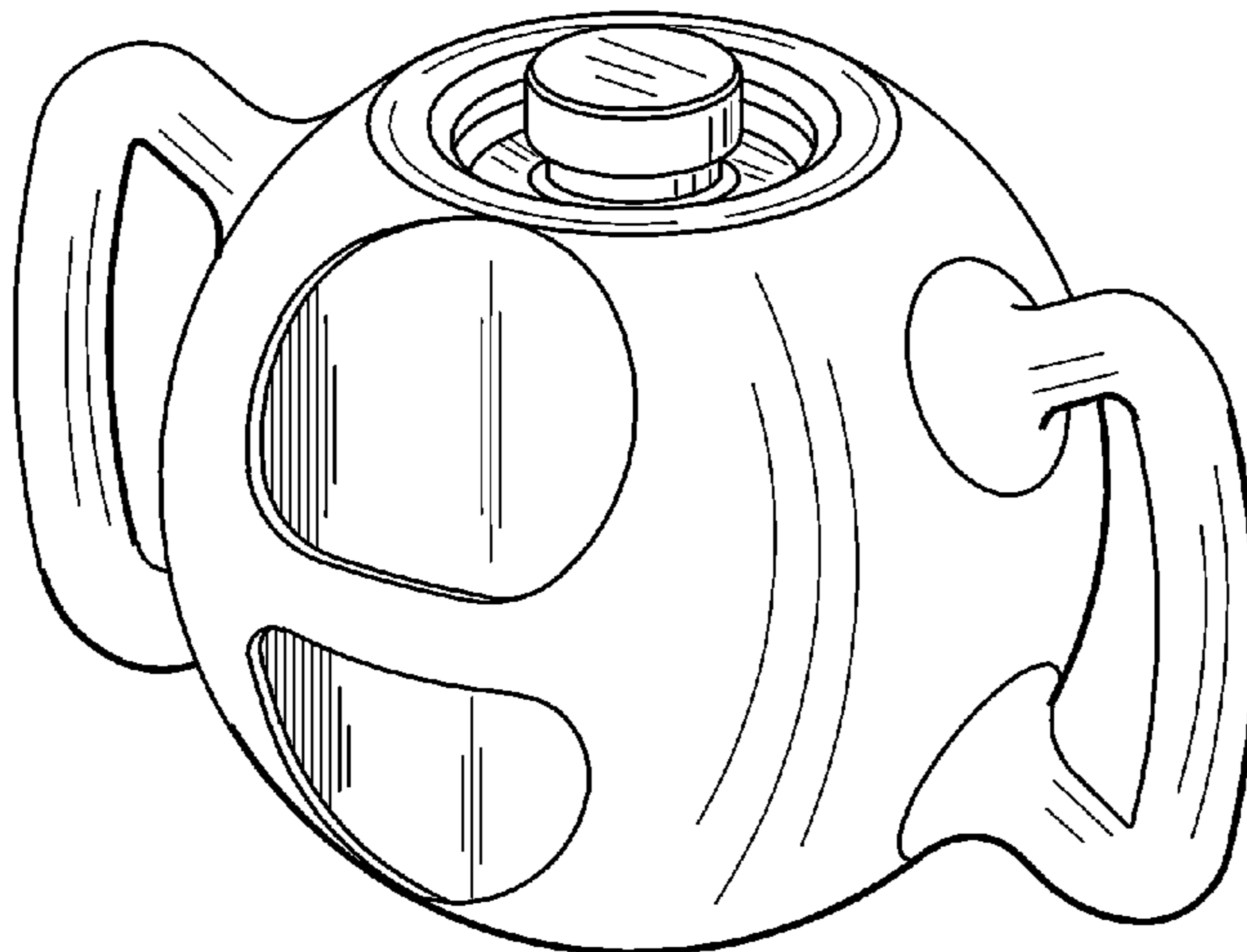
FIG. 13 is a top view of the second embodiment of the exercise ball;

FIG. 14 is a bottom view of the second embodiment of the exercise ball; and,

FIG. 15 is a front view of the second embodiment of the exercise ball as used.

Any broken lines illustrative of environmental structure in the drawings are not part of the design sought to be patented.

1 Claim, 9 Drawing Sheets



(56)

References Cited

U.S. PATENT DOCUMENTS

5,230,682 A * 7/1993 Myers A63B 21/0004
 473/576
 D363,752 S * 10/1995 Shumber D21/678
 D370,951 S * 6/1996 Lazar D21/692
 5,735,776 A * 4/1998 Swezey A63B 21/0085
 473/596
 6,003,470 A * 12/1999 Budman A01K 15/025
 119/711
 6,068,580 A * 5/2000 Myers A63B 21/02
 446/220
 D431,608 S * 10/2000 Lin D21/398
 D464,095 S * 10/2002 Yu D21/662
 D468,235 S * 1/2003 Yamazaki D21/406
 D507,026 S * 7/2005 Chen D21/671
 D545,509 S * 6/2007 Wang D30/160
 D552,696 S * 10/2007 Hallar D21/662
 D568,950 S * 5/2008 Yewer, Jr. D21/662
 D594,703 S * 6/2009 Sax D7/515
 7,972,250 B2 * 7/2011 Viselman A63B 21/072
 482/141
 D648,813 S * 11/2011 Dedvukaj D21/662
 D650,536 S * 12/2011 Oblack D21/713
 D651,671 S * 1/2012 Ross D21/662
 D659,204 S * 5/2012 Cotter D21/662

D660,384 S * 5/2012 Saber D21/707
 D687,606 S * 8/2013 Burger D30/160
 D706,875 S * 6/2014 Saber D21/398
 D707,303 S * 6/2014 Saber D21/398
 8,911,334 B1 * 12/2014 Cotter A63B 43/02
 482/105
 D722,730 S * 2/2015 Simon D30/160
 D727,439 S * 4/2015 Dike D21/662
 D736,483 S * 8/2015 Crane D30/160
 D746,002 S * 12/2015 Crane D30/160
 9,216,315 B1 * 12/2015 Chang A63B 21/075
 2003/0060346 A1 * 3/2003 Wu A63B 21/06
 482/108
 2011/0263393 A1 * 10/2011 Ross A63B 21/072
 482/93
 2011/0263394 A1 * 10/2011 Viselman A63B 21/00061
 482/93
 2012/0053024 A1 * 3/2012 Mendoza A63B 21/072
 482/106
 2012/0157270 A1 * 6/2012 Johnson A63B 21/075
 482/93
 2012/0309595 A1 * 12/2012 Dike A63B 21/072
 482/93
 2014/0141944 A1 * 5/2014 Johnson A63B 21/072
 482/93

* cited by examiner

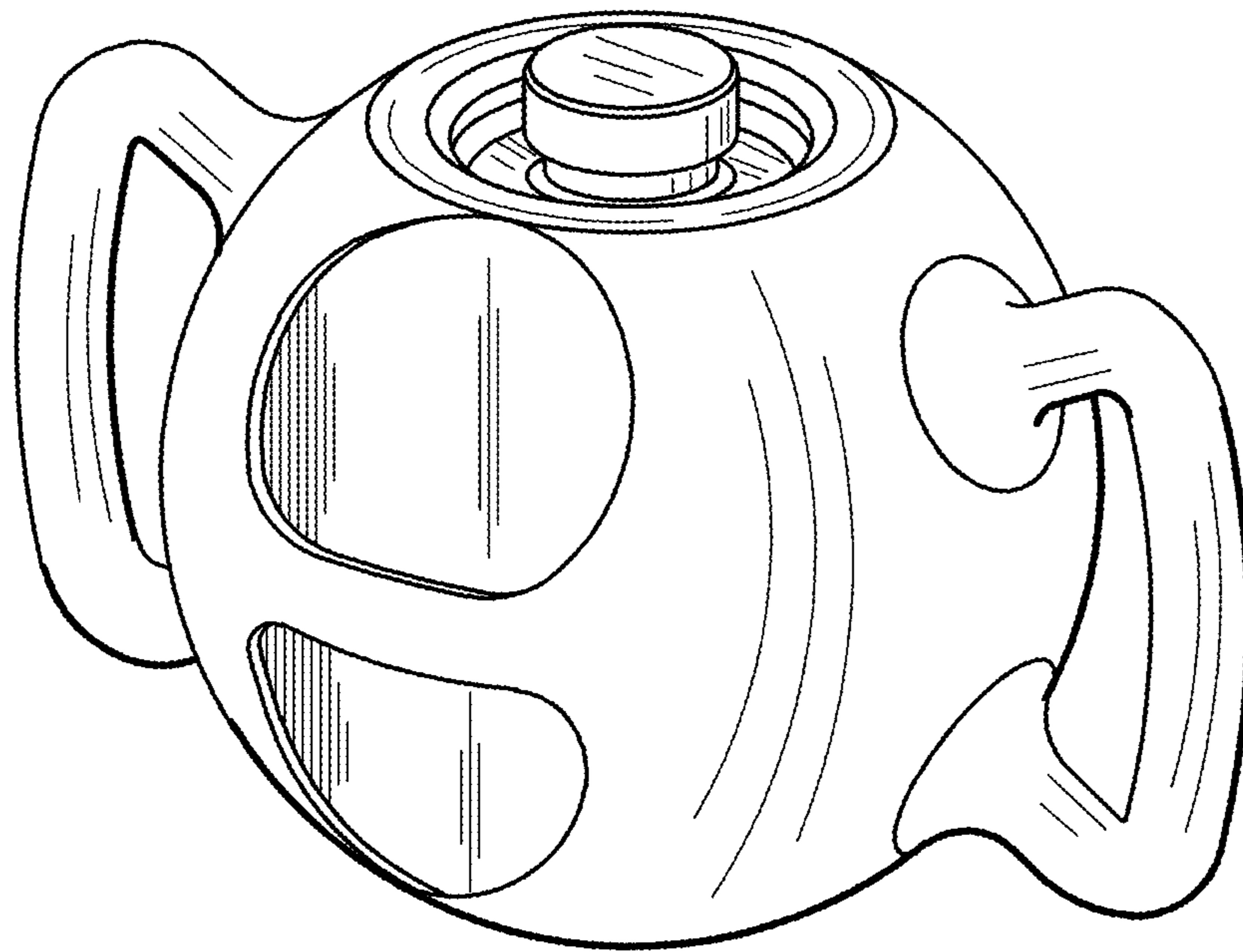


Fig. 1

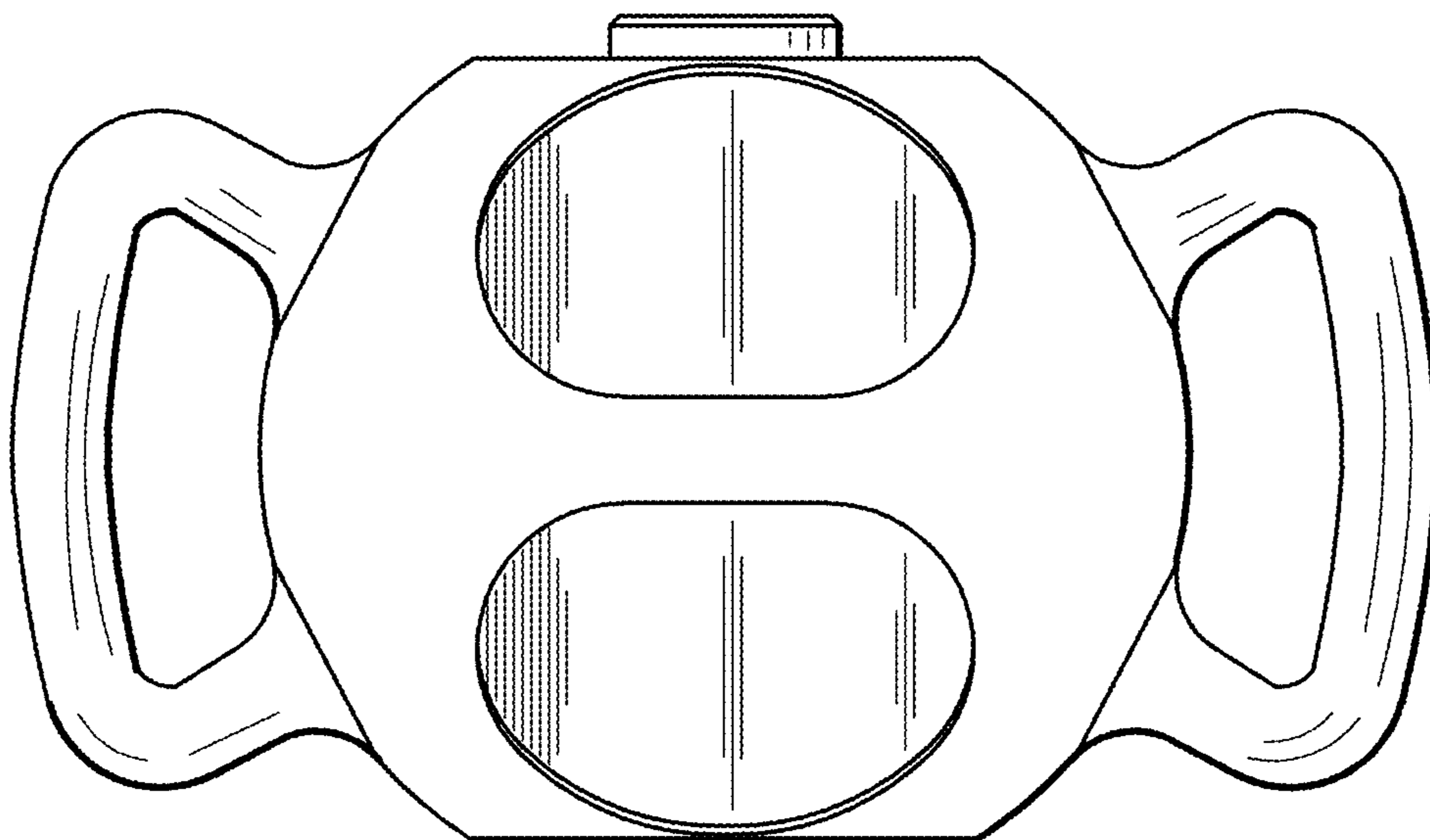


Fig. 2

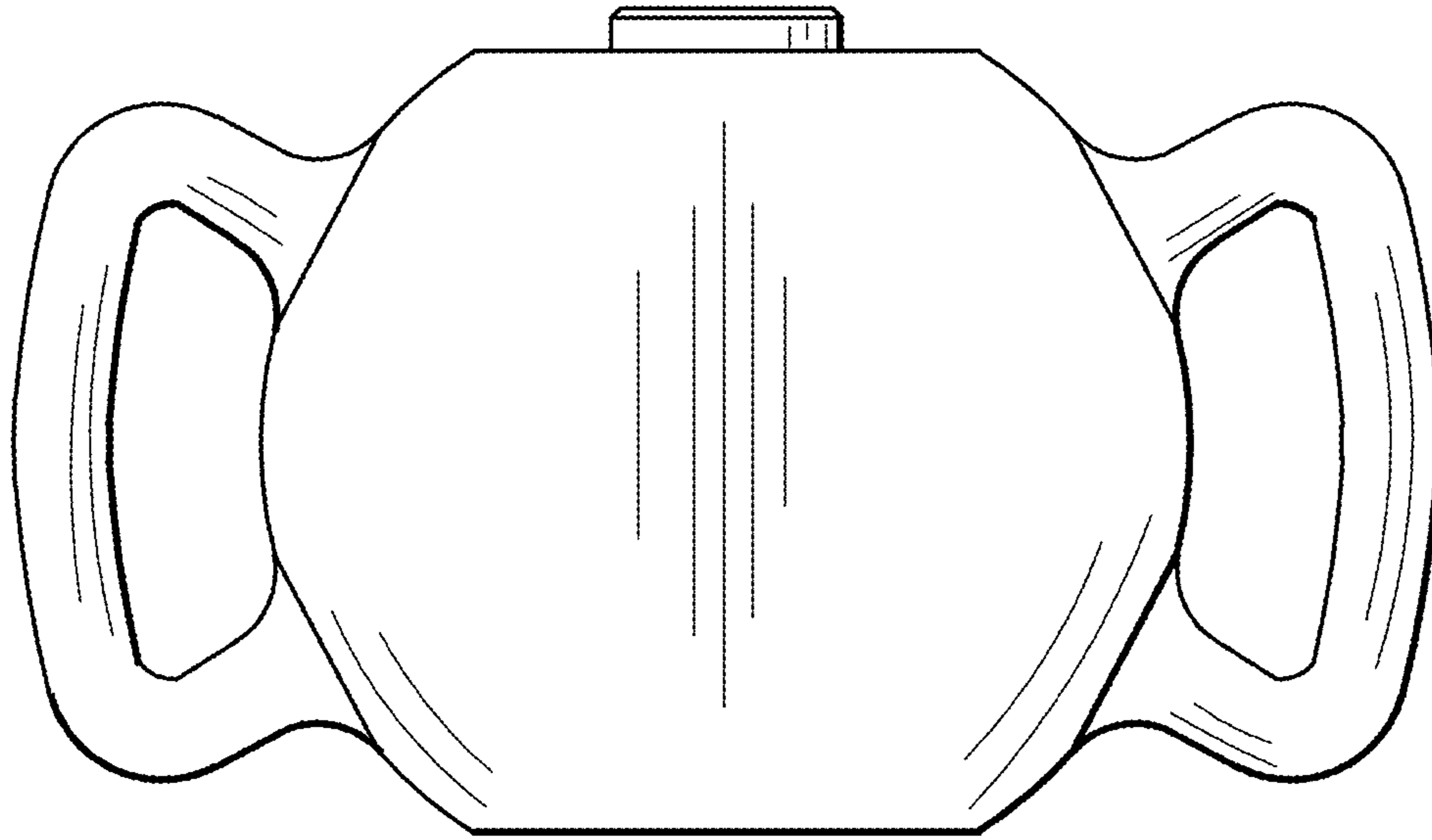


Fig. 3

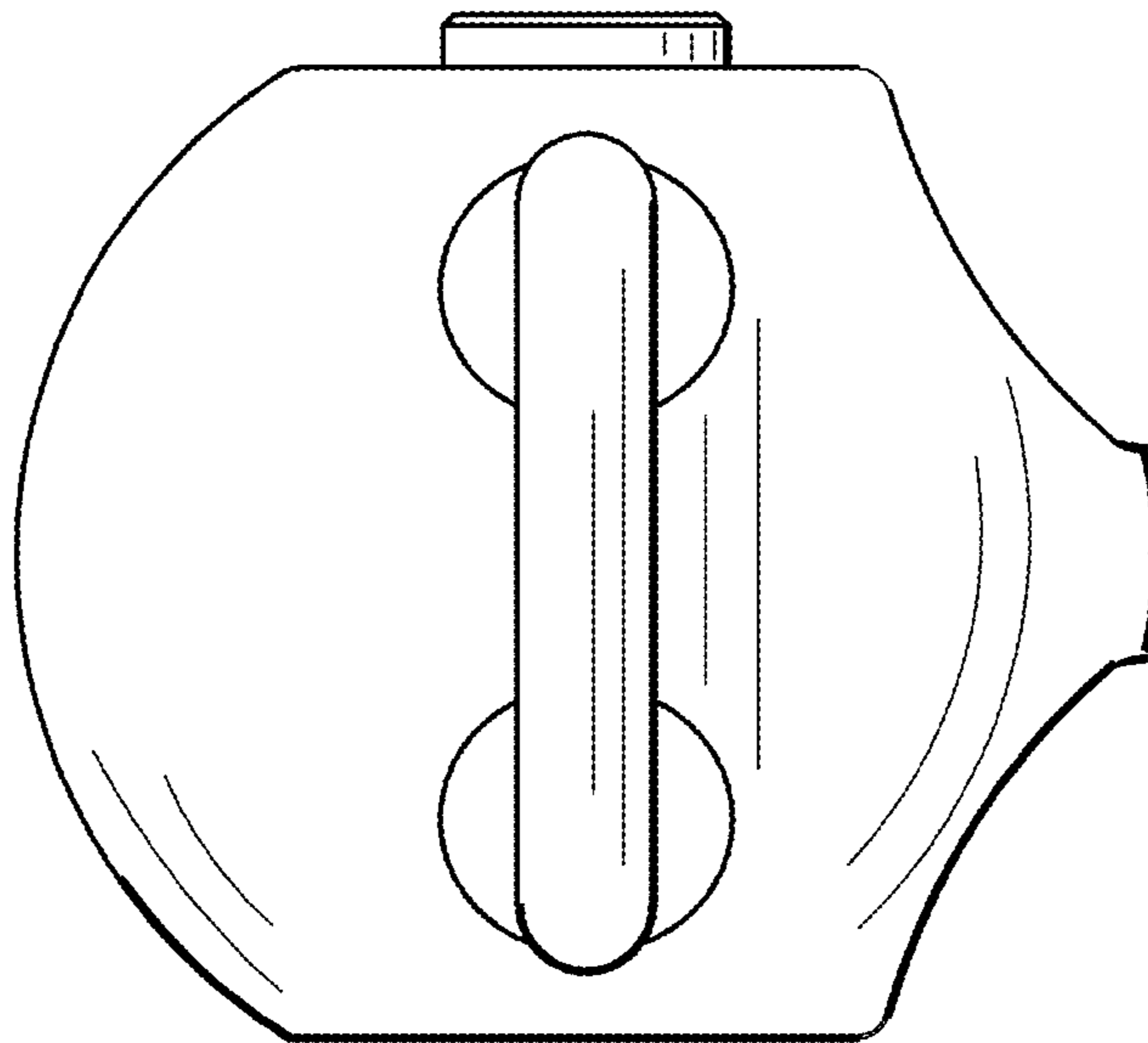


Fig. 4

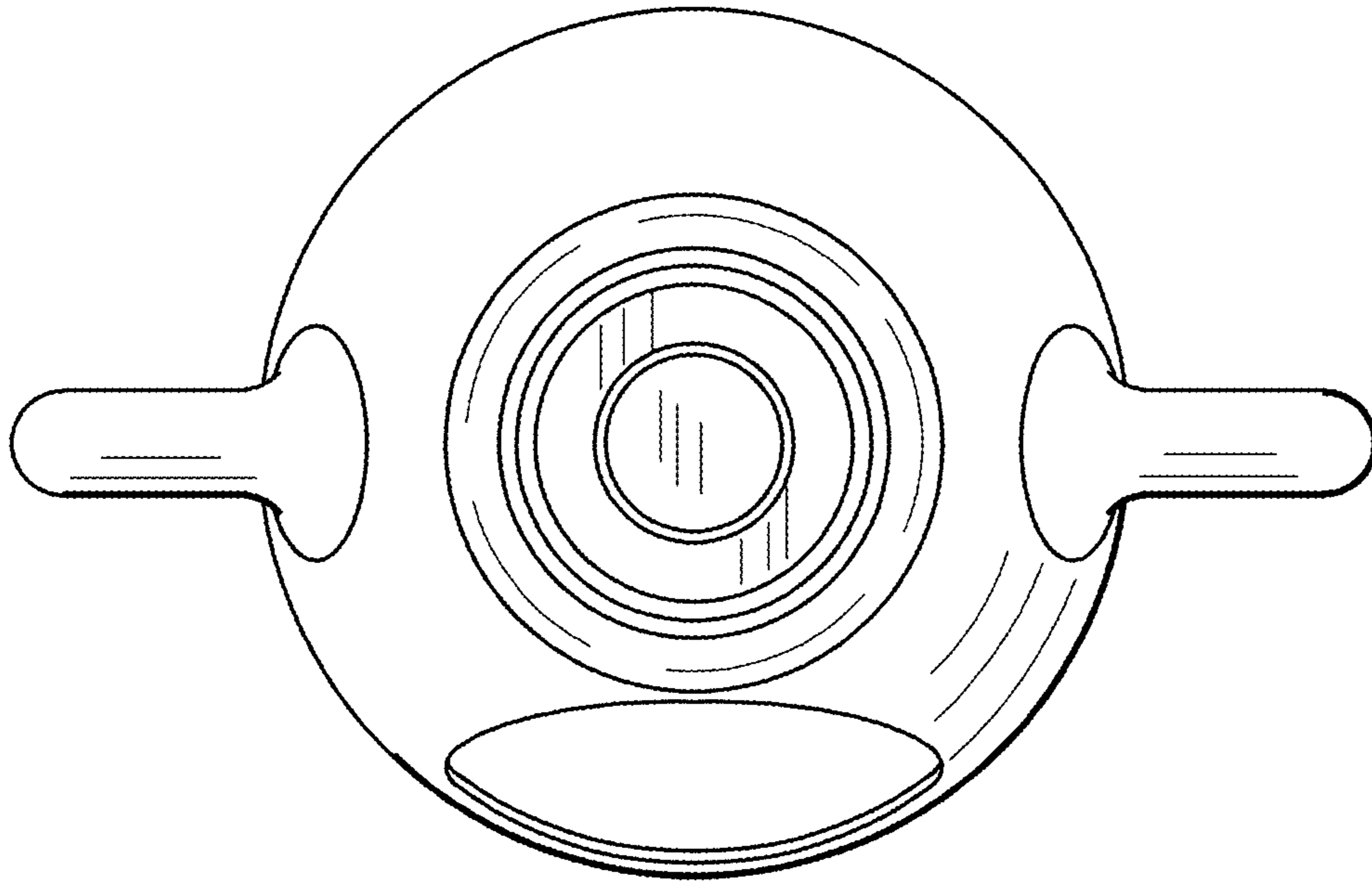


Fig. 5

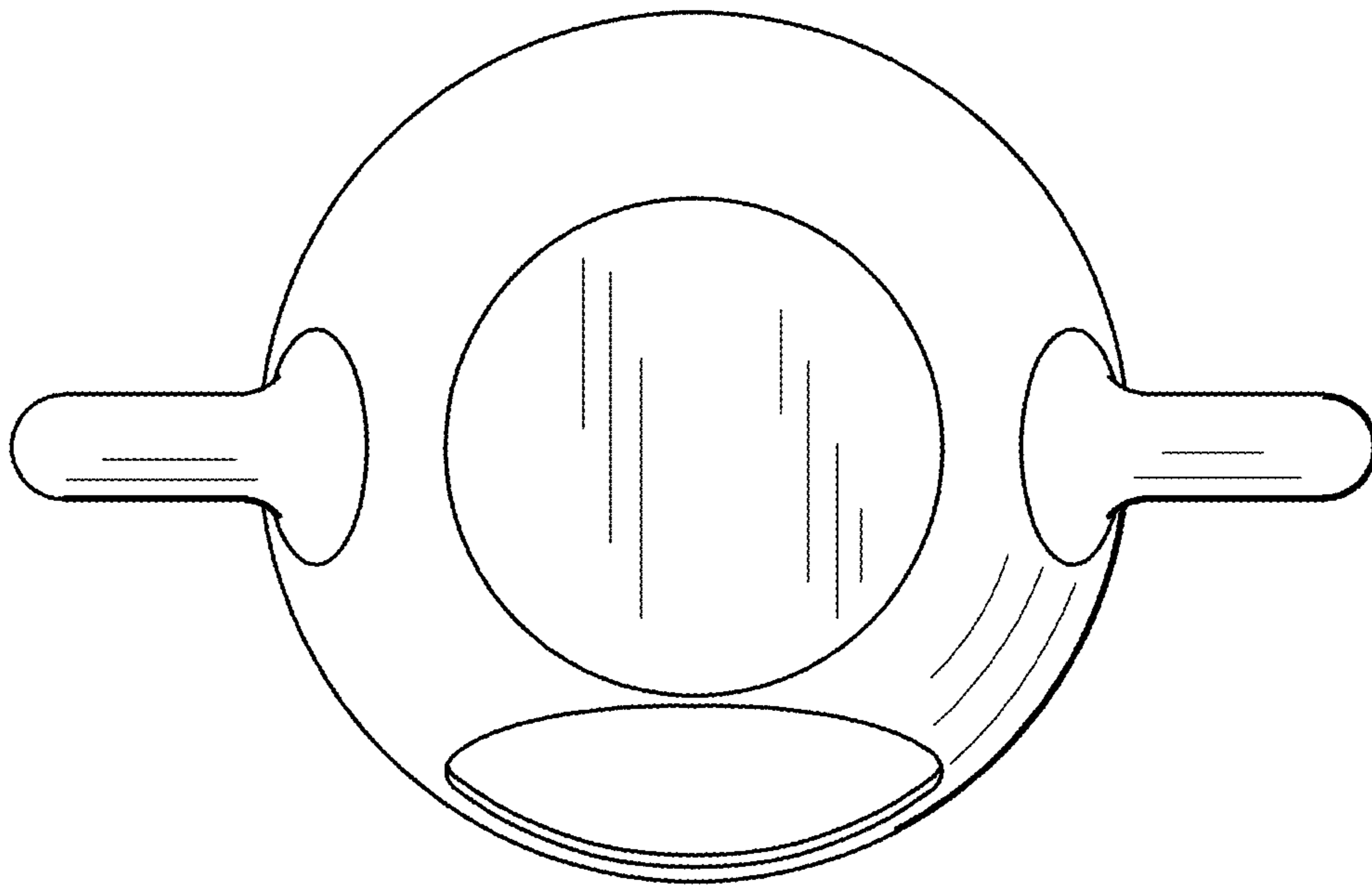


Fig. 6

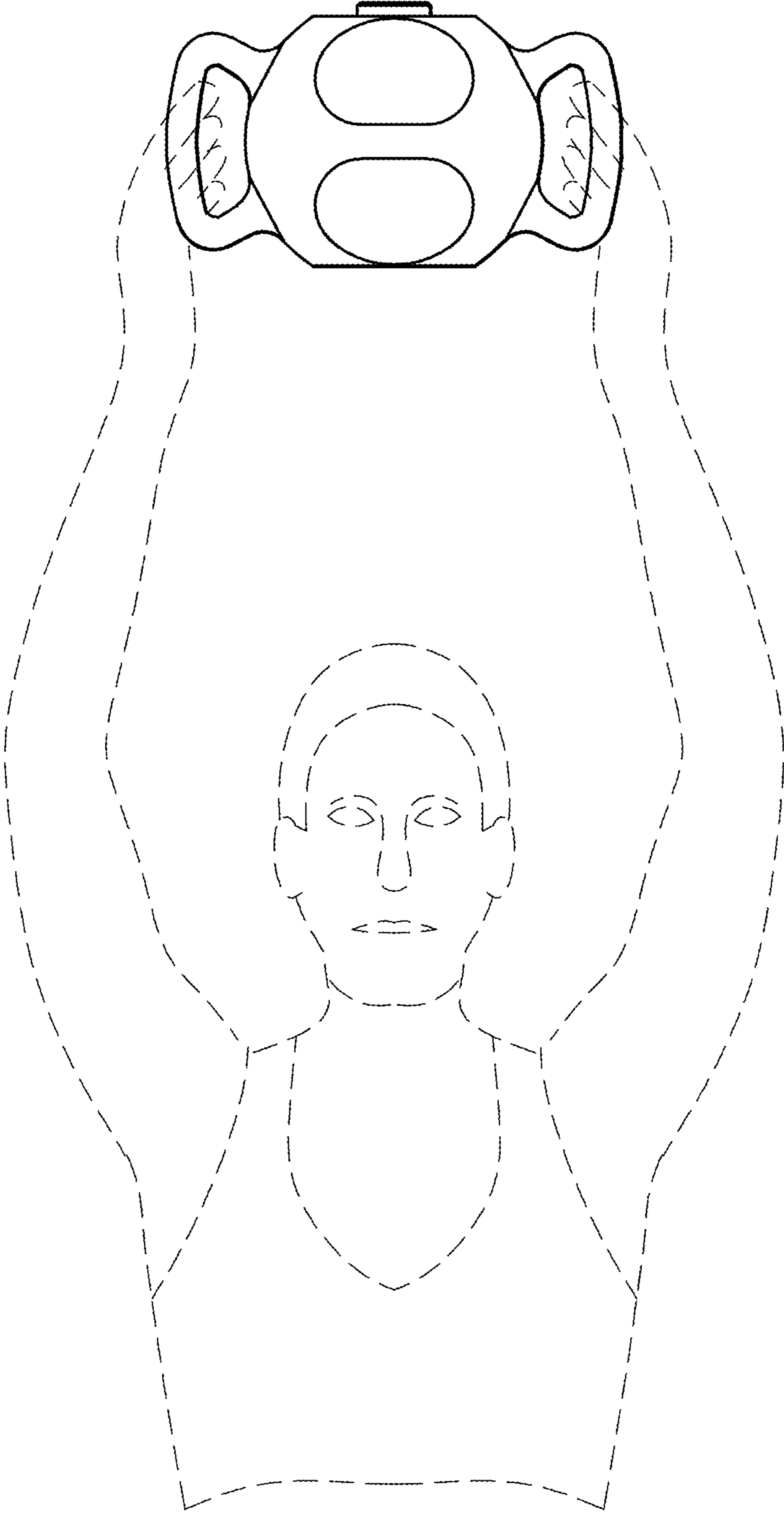


Fig. 7

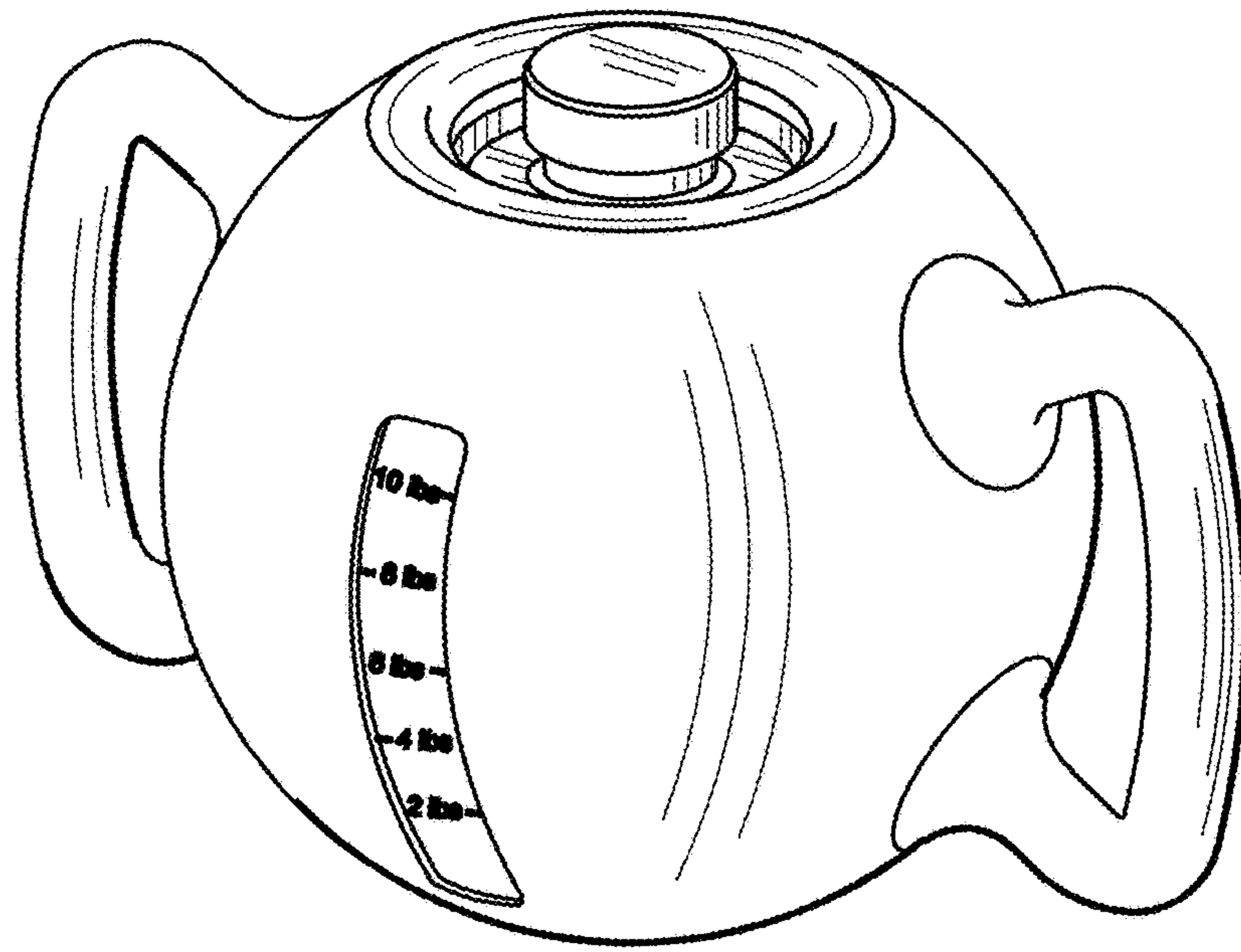


Fig. 8

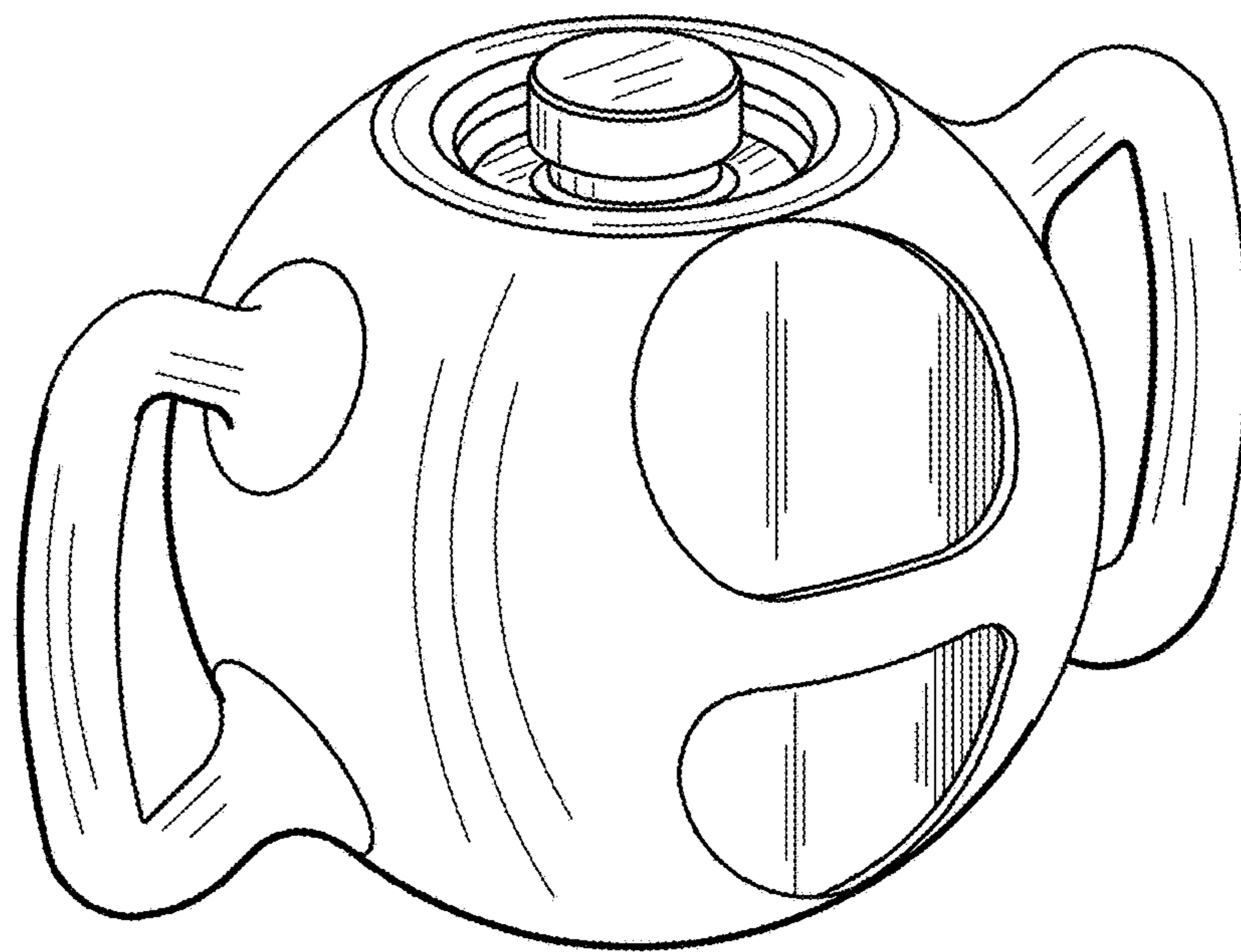


Fig. 9

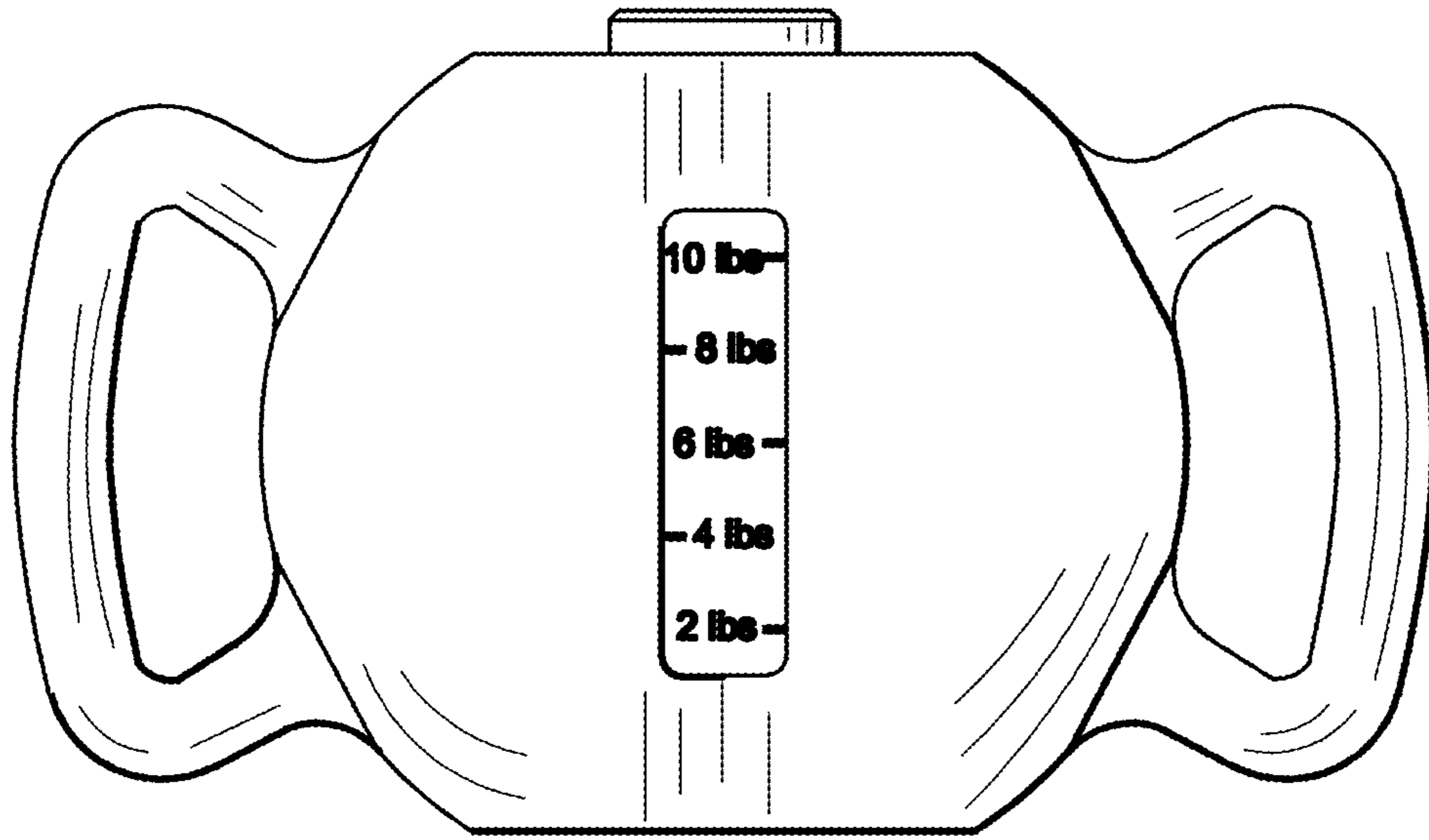


Fig. 10

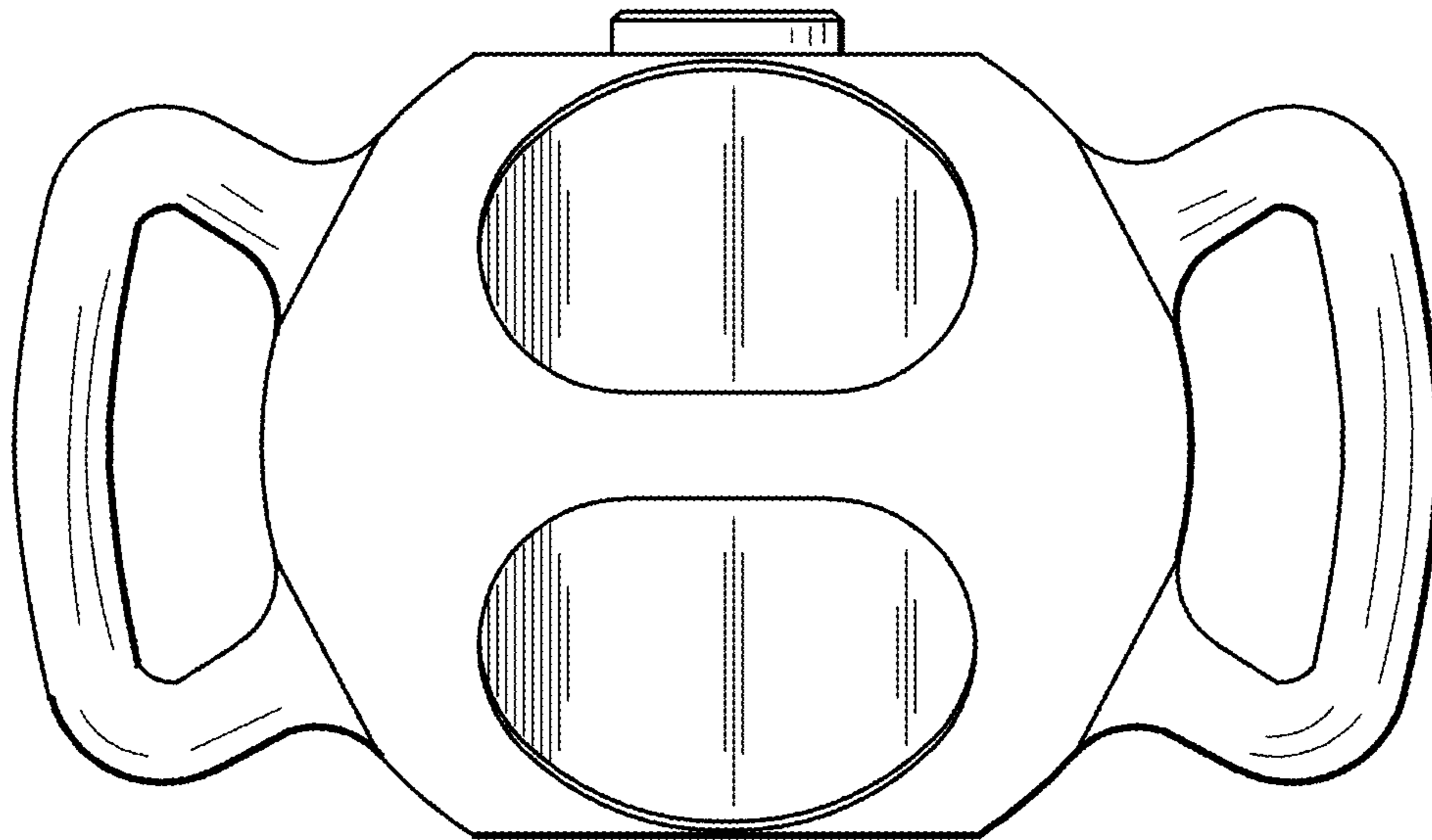


Fig. 11

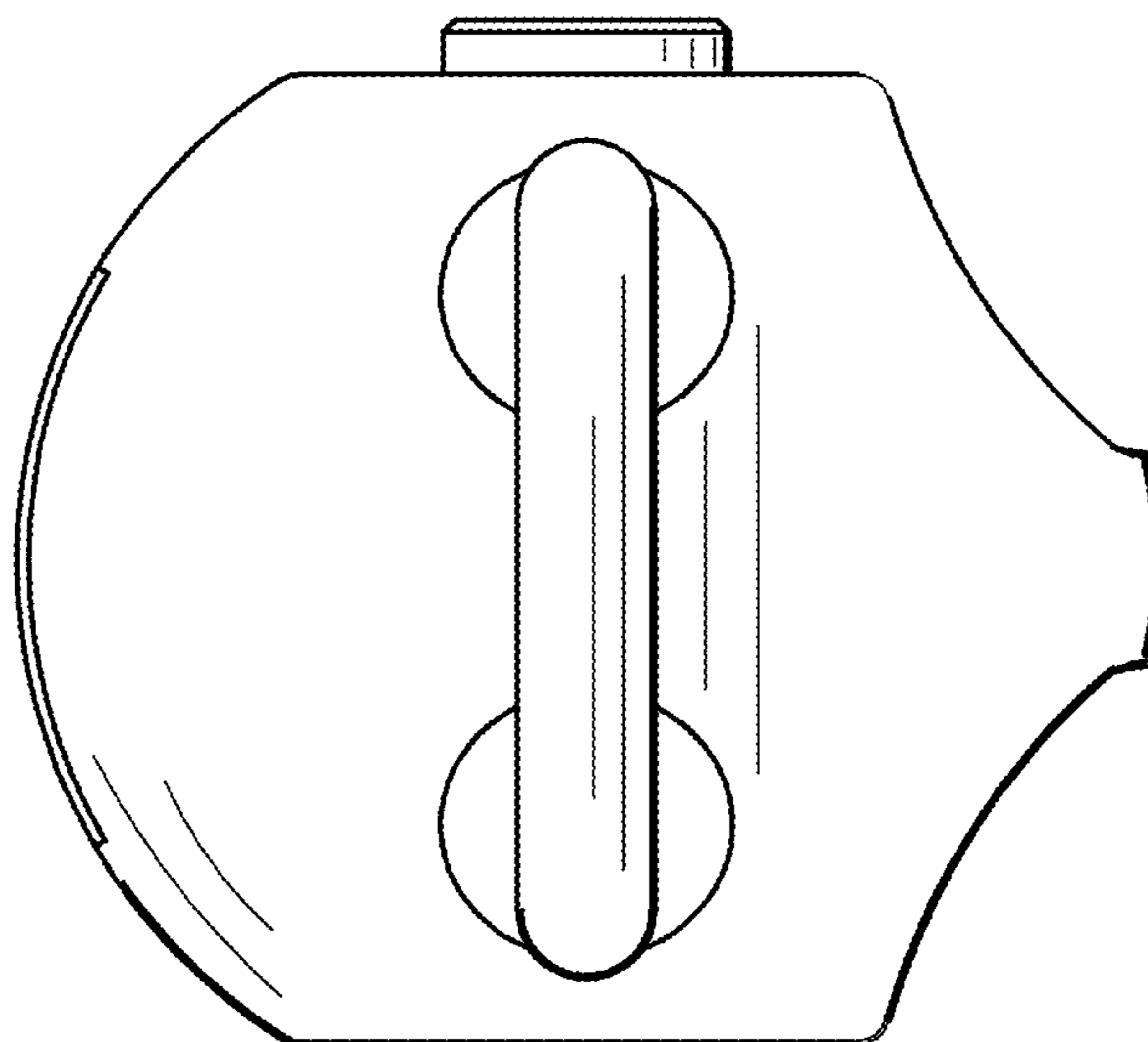


Fig. 12

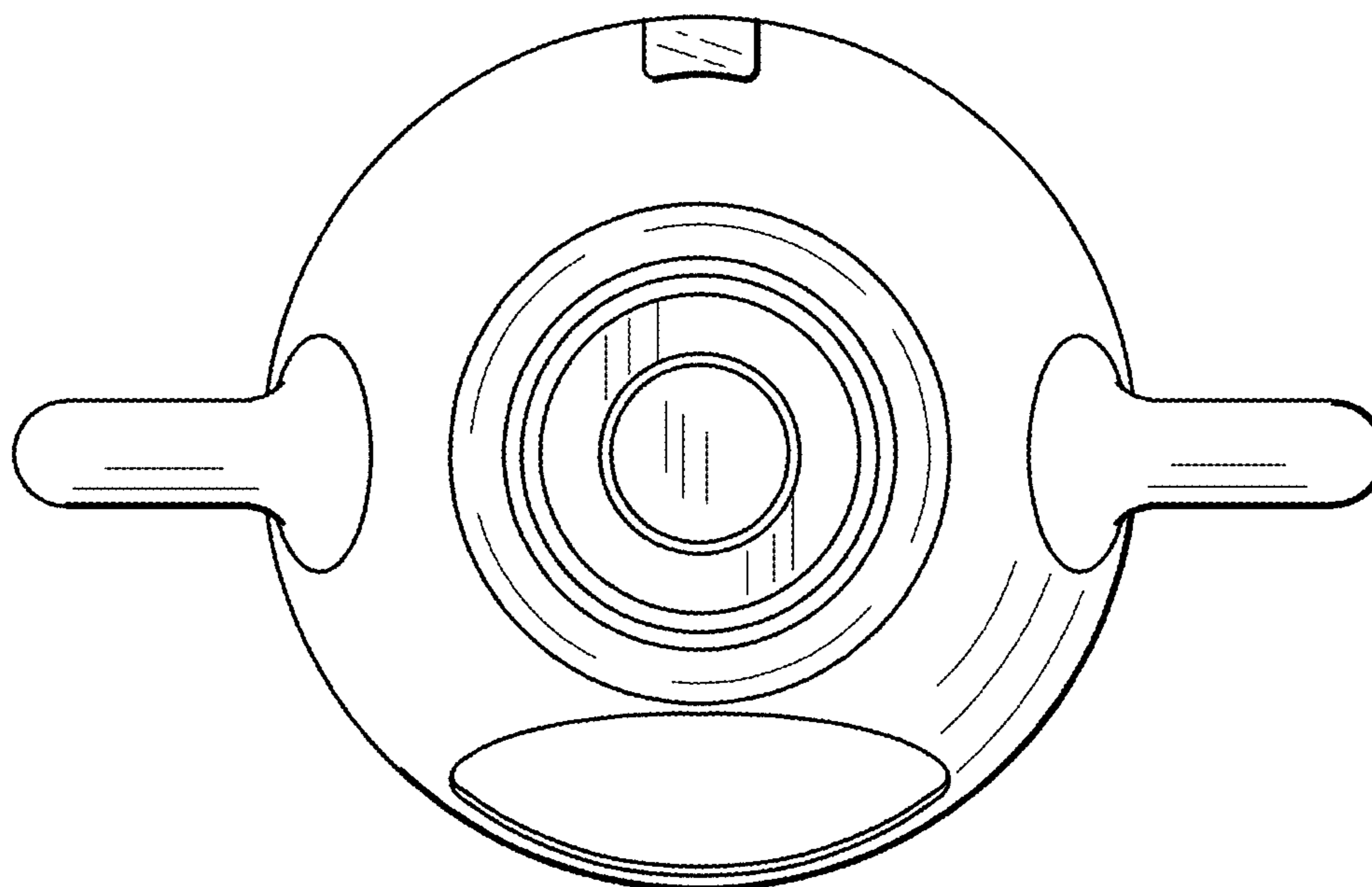


Fig. 13

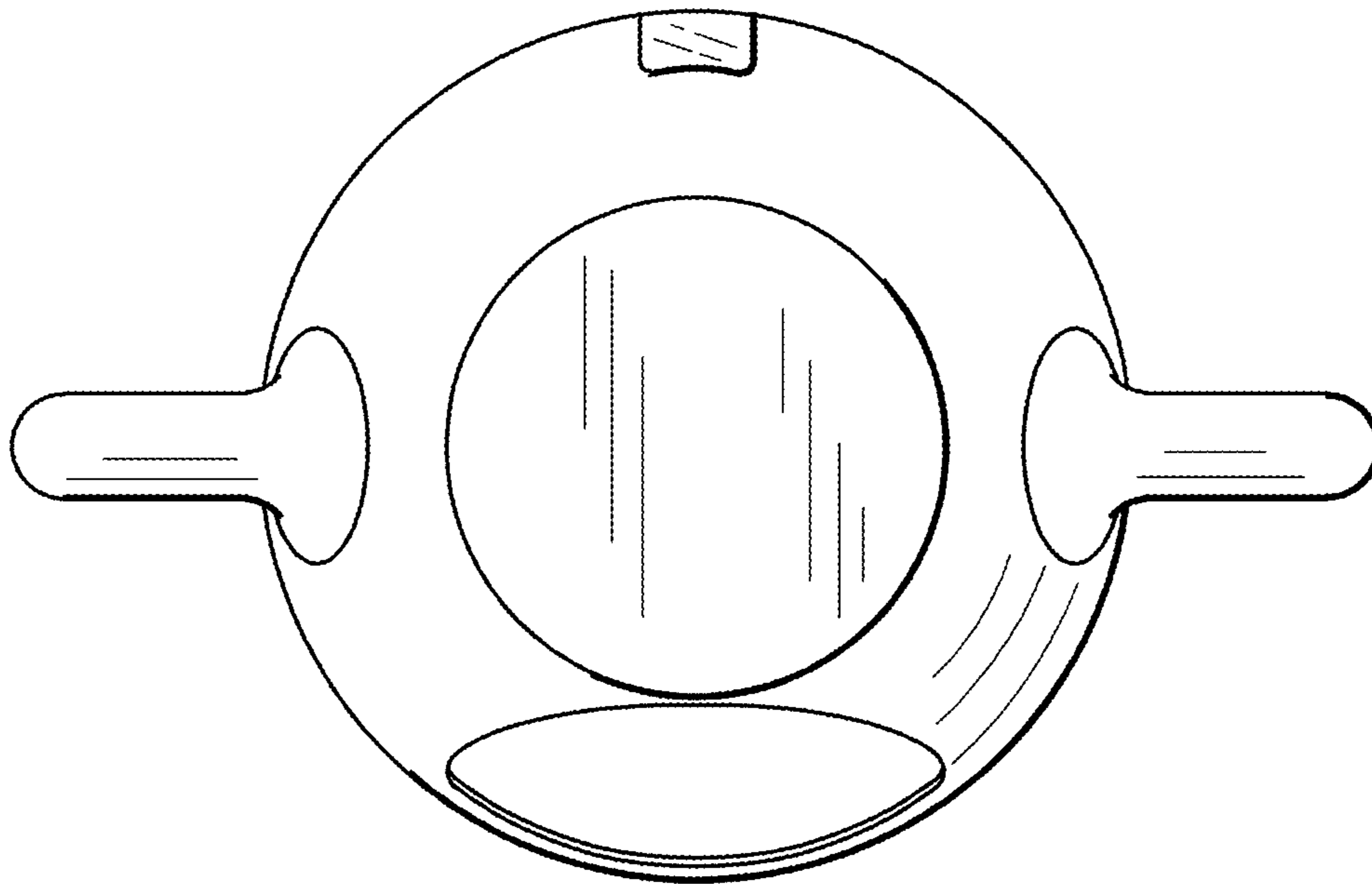


Fig. 14

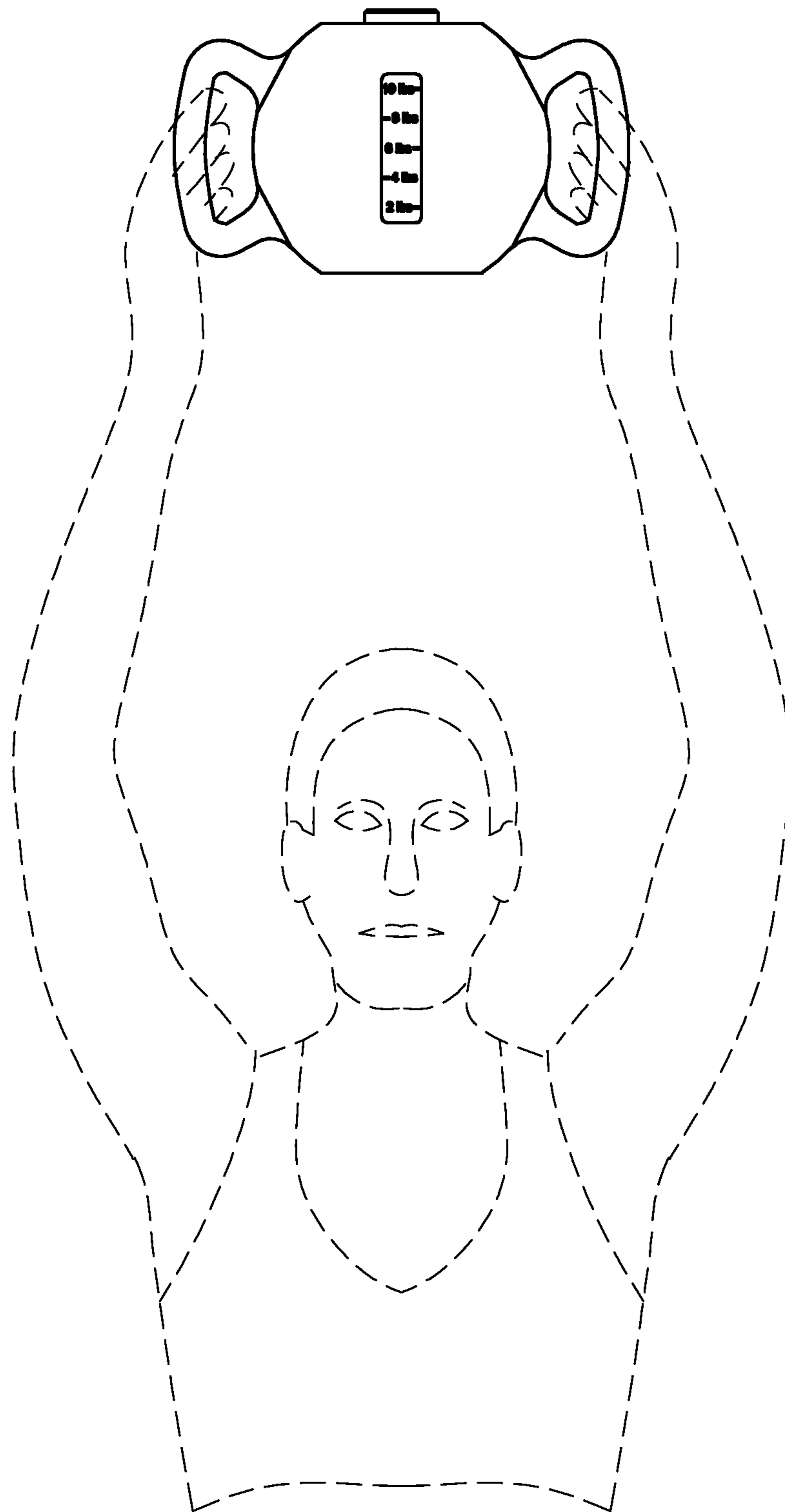


Fig. 15