



US00D789459S

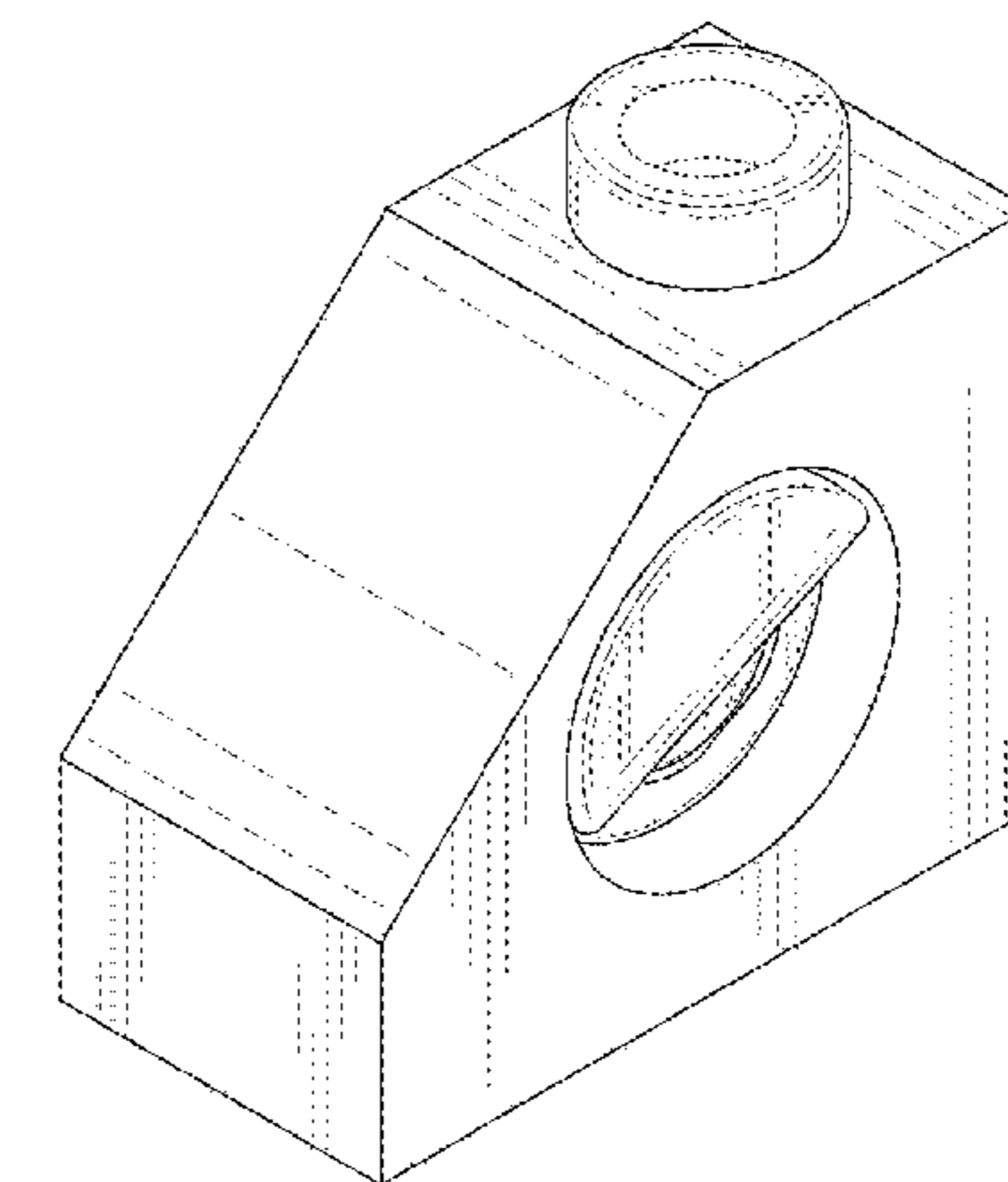
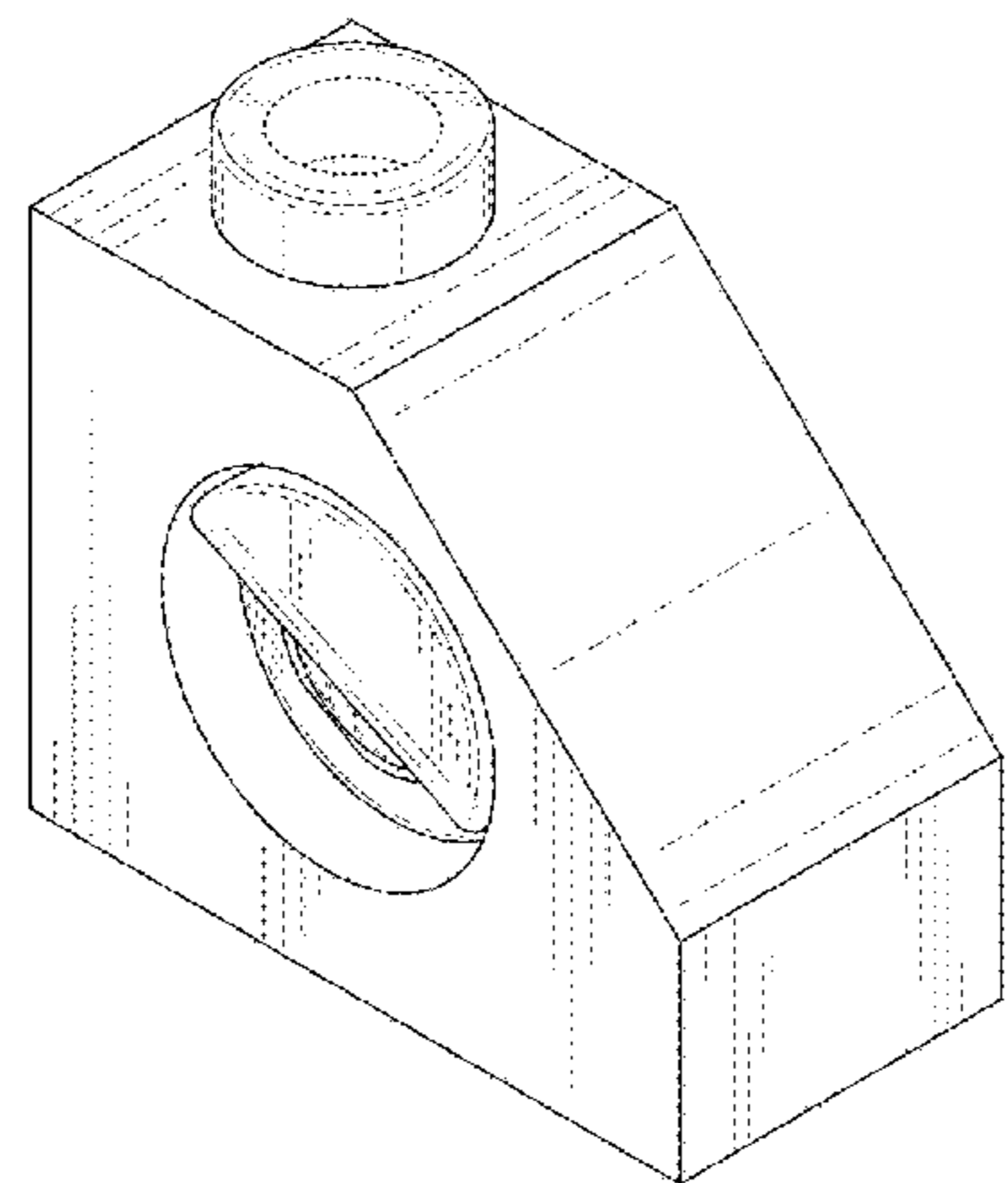
(12) **United States Design Patent**
Ramière et al.

(10) **Patent No.:** **US D789,459 S**
(45) **Date of Patent:** **** Jun. 13, 2017**

- (54) **CONSTRUCTION SET ELEMENT**
- (71) Applicant: **MEGA Brands Inc.**, Montreal (CA)
- (72) Inventors: **Anthony Ramière**, Montreal (CA);
Jonathan Brault, Rougemont (CA)
- (73) Assignee: **MEGA Brands Inc.**, Montreal, Quebec (CA)
- (**) Term: **15 Years**
- (21) Appl. No.: **29/539,001**
- (22) Filed: **Sep. 10, 2015**
- (51) **LOC (10) Cl.** **21-01**
- (52) **U.S. Cl.**
USPC **D21/505**
- (58) **Field of Classification Search**
USPC D21/386, 389, 404, 468, 470, 471,
D21/484-505; 446/69, 85, 102-128;
434/208, 259, 403; 273/153, 156, 160;
D25/113-116, 118
CPC A63H 33/00; A63H 33/04; A63H 33/06;
A63H 33/08; A63H 33/084; A63H
33/086; A63H 33/088; A63H 33/10;
A63H 33/105; A63H 33/108; A63H 33/52
See application file for complete search history.

- (56) **References Cited**
U.S. PATENT DOCUMENTS
1,216,840 A * 2/1917 Ramsey et al. A63H 33/105
446/122
3,034,254 A 5/1962 Christiansen
D204,286 S 4/1966 Stockton
D272,255 S * 1/1984 Chatani D21/502
D285,705 S 9/1986 Dideriksen
4,846,750 A * 7/1989 Tapdrup A63F 9/12
446/118
D304,042 S 10/1989 Poulsen
D308,233 S 5/1990 Fish, Jr.
D308,234 S 5/1990 Fish, Jr.
D311,938 S 11/1990 Andersen
D312,099 S 11/1990 Andersen
D312,105 S * 11/1990 Olsen D21/497

- D314,405 S 2/1991 Pedersen et al.
- D315,376 S 3/1991 Meyer
- D315,381 S * 3/1991 Meyer D21/505
- D317,480 S 6/1991 Skov et al.
- D317,482 S 6/1991 Michaelsen et al.
- D317,635 S 6/1991 Eggert et al.
- D318,077 S 7/1991 Larsen et al.
- D318,696 S 7/1991 Hoyer et al.
- D319,267 S 8/1991 Hoyer et al.
- D327,303 S * 6/1992 Rasmussen D21/617
- D329,068 S 9/1992 Rasmussen
- D330,055 S 10/1992 Jarnros
- D330,056 S 10/1992 Pagel
- D332,471 S 1/1993 Rahbek
- D332,472 S 1/1993 Rahbek
- D332,644 S 1/1993 Rahbek
- D337,355 S 7/1993 Voldmester
- D337,356 S 7/1993 Voldmester
- D343,426 S * 1/1994 Sher 446/128
- D346,627 S 5/1994 Bach
- D350,789 S 9/1994 Ryaa et al.
- D351,005 S 9/1994 Hojlund et al.
- D353,629 S 12/1994 Skov
- D354,529 S 1/1995 Skov
- D360,909 S 8/1995 Frederiksen
- D360,910 S 8/1995 Frederiksen
- D361,099 S 8/1995 Skov
- D361,100 S 8/1995 Skov et al.
- D362,474 S 9/1995 Voldmester et al.
- D363,095 S 10/1995 Voldmester
- D384,989 S 10/1997 Andersen
- 5,674,103 A 10/1997 Bean
- D409,260 S 5/1999 Toft
- D411,262 S 6/1999 Ufee
- D415,539 S * 10/1999 Rudy D21/505
- 6,132,281 A 10/2000 Klitsner et al.
- 6,200,187 B1 3/2001 Olsen et al.
- D455,463 S 4/2002 Martin et al.
- D456,048 S 4/2002 Sorensen
- D464,381 S 10/2002 Sorensen
- D512,748 S 12/2005 Hageman
- D537,484 S 2/2007 Ganderton
- D546,899 S 7/2007 Sorensen
- D546,902 S 7/2007 Ganderton
- D550,784 S 9/2007 Glickman et al.
- D552,190 S 10/2007 Glickman et al.
- D562,412 S 2/2008 Tremblay et al.
- D573,203 S * 7/2008 Chun D21/505
- D587,765 S 3/2009 Dawes
- 7,658,662 B2 2/2010 Tremblay et al.
- D614,247 S 4/2010 Clausen
- D614,707 S 4/2010 Ryaa
- D641,054 S 7/2011 Clausen



D647,698 S	11/2011	Cally	
D647,699 S	11/2011	Cally	
D660,597 S	5/2012	Leblanc	
D667,508 S	9/2012	Frederiksen	
D669,213 S	* 10/2012	Celia	D28/7
D676,653 S	2/2013	Leblanc	
D678,326 S	* 3/2013	Lee	D21/659
D680,176 S	4/2013	Chin	
D681,330 S	5/2013	Leblanc	
D684,364 S	6/2013	Leblanc	
D684,770 S	6/2013	Leblanc	
D689,954 S	9/2013	Rya	
D689,957 S	9/2013	Jensen	
8,528,489 B2	9/2013	Roy et al.	
D697,146 S	* 1/2014	Richards	D21/484
D699,439 S	2/2014	Leblanc	
D699,441 S	2/2014	Leblanc	
D699,442 S	2/2014	Leblanc	
D700,248 S	2/2014	Proulx et al.	
D701,921 S	4/2014	Andersen	
D707,554 S	6/2014	Lavoie	
D753,311 S	* 4/2016	Long	D24/186
D753,312 S	* 4/2016	Long	D24/186
D753,774 S	* 4/2016	Proulx	D21/505
2006/0027794 A1	* 2/2006	Heinz	B66F 7/243 254/88

OTHER PUBLICATIONS

Eye toy, posted on hewangdesign.com 2014 <<http://www.hewangdesign.com/blog/?p=301>>.*

Lego Duplo Creative Sorter, eye decoration, posted on geekalerts Oct. 23, 2012 <<http://www.geekalerts.com/lego-duplo-creative-sorter/>>.*

Lego Duplo Bricks and Books Set Review, posted on craftinessisnotoptional.com Jul. 11, 2012 <<http://www.craftinessisnotoptional.com/2012/07/lego-duplo-bricks-and-books-set-review.html>>.*

BricksABillion article. "Interview with Angus MacLane about CubeDudes." Oct. 6, 2009. Retrieved from the Internet: <[URL: https://web.archive.org/web/20091006020951/http://www.bricksabillion/interview-with-angus-maclane-about-cubedudes/](https://web.archive.org/web/20091006020951/http://www.bricksabillion/interview-with-angus-maclane-about-cubedudes/)>.

"Lego building instructions: Lego CubeDudes." Mar. 28, 2012. Retrieved from the Internet: <[URL: https://thebrickblogger.com/2012/03/lego-cubedudes/](https://thebrickblogger.com/2012/03/lego-cubedudes/)>.

Pixel Pops. "New Arrivals." Sep. 15, 2014. Retrieved from the Internet: <[URL: https://web.archive.org/web/20140915211347/http://www.mypixelpops.com/](https://web.archive.org/web/20140915211347/http://www.mypixelpops.com/)>.

Pixel Pops. "Kitten." Sep. 26, 2014. Retrieved from the Internet: <[URL: https://web.archive.org/web/20140926062439/http://www.mypixelpops.com/Products/New-Arrivals/Kitten](https://web.archive.org/web/20140926062439/http://www.mypixelpops.com/Products/New-Arrivals/Kitten)>.

Pixel Pops. "Parrot." Sep. 26, 2014. Retrieved from the Internet: <[URL: https://web.archive.org/web/20140926072032/http://www.mypixelpops.com/Products/New-Arrivals/Parrot](https://web.archive.org/web/20140926072032/http://www.mypixelpops.com/Products/New-Arrivals/Parrot)>.

Pixel Pops. "Panda" Sep. 26, 2014. Retrieved from the Internet: <[URL: https://web.archive.org/web/20140926072024/http://www.mypixelpops.com/Products/New-Arrivals/Panda](https://web.archive.org/web/20140926072024/http://www.mypixelpops.com/Products/New-Arrivals/Panda)>.

Pixel Pops. "Hedgehog." Sep. 26, 2014. Retrieved from the Internet: <[URL: https://web.archive.org/web/20140926130041/http://www.mypixelpops.com/Products/New-Arrivals/Hedgehog](https://web.archive.org/web/20140926130041/http://www.mypixelpops.com/Products/New-Arrivals/Hedgehog)>.

Pixel Pops. "Elephant." Sep. 26, 2014. Retrieved from the Internet: <[URL: https://web.archive.org/web/20140926060917/http://www.mypixelpops.com/Products/New-Arrivals/Elephant](https://web.archive.org/web/20140926060917/http://www.mypixelpops.com/Products/New-Arrivals/Elephant)>.

Pixel Pops. "Duck." Sep. 26, 2014. Retrieved from the Internet: <[URL: https://web.archive.org/web/20140926130037/http://www.mypixelpops.com/Products/New-Arrivals/Duck](https://web.archive.org/web/20140926130037/http://www.mypixelpops.com/Products/New-Arrivals/Duck)>.

Pixel Pops. "Zombie Invasion." Retrieved Sep. 30, 2015 from the Internet: <[URL: http://www.mypixelpops.com/Products/Pixel-Pops/Zombie-Invasion](http://www.mypixelpops.com/Products/Pixel-Pops/Zombie-Invasion)>.

Pixel Pops. "Forest Adventure." Retrieved Sep. 30, 2015 from the Internet: <[URL: http://www.mypixelpops.com/Products/Pixel-Pops/Forest-Adventure](http://www.mypixelpops.com/Products/Pixel-Pops/Forest-Adventure)>.

Pixel Pops. "Cupcake Bakery." Retrieved Sep. 30, 2015 from the Internet: <[URL: http://www.mypixelpops.com/Products/Pixel-Pops/Cupcake-Bakery](http://www.mypixelpops.com/Products/Pixel-Pops/Cupcake-Bakery)>.

Pixel Pops. "Pig." Retrieved Sep. 30, 2015 from the Internet: <[URL: http://www.mypixelpops.com/Products/Pixel/Pops/Pig](http://www.mypixelpops.com/Products/Pixel/Pops/Pig)>.

Pixel Pops. "Koala." Retrieved Sep. 30, 2015 from the Internet: <[URL: http://www.mypixelpops.com/Products/Pixel/Pops/Koala](http://www.mypixelpops.com/Products/Pixel/Pops/Koala)>.

Pixel Pops. "Giraffe." Retrieved Sep. 30, 2015 from the Internet: <[URL: http://www.mypixelpops.com/Products/Pixel/Pops/Giraffe](http://www.mypixelpops.com/Products/Pixel/Pops/Giraffe)>.

Pixel Pops. "Penguin." Retrieved Sep. 30, 2015 from the Internet: <[URL: http://www.mypixelpops.com/Products/Pixel/Pops/Penguin](http://www.mypixelpops.com/Products/Pixel/Pops/Penguin)>.

Pixel Pops. "Pug." Retrieved Sep. 30, 2015 from the Internet: <[URL: http://www.mypixelpops.com/Products/Pixel/Pops/Pug](http://www.mypixelpops.com/Products/Pixel/Pops/Pug)>.

Pixel Pops. "Lizard." Retrieved Sep. 30, 2015 from the Internet: <[URL: http://www.mypixelpops.com/Products/Pixel/Pops/Lizard](http://www.mypixelpops.com/Products/Pixel/Pops/Lizard)>.

"Slope Brick 33 3 x 2," Lego Part 3298, first produced 1971 according to: <[URL: http://www.peeron.com/inv/parts/3298](http://www.peeron.com/inv/parts/3298)>.

MacLane, Angus. "All of the CubeDude sculptures." Photographs uploaded to www.flickr.com from Sep. 21, 2009 through Dec. 21, 2010. Retrieved from the Internet: <[URL: https://www.flickr.com/photos/27826007@N05/albums/72157623336762161/with/5280621799/](https://www.flickr.com/photos/27826007@N05/albums/72157623336762161/with/5280621799/)>.

"Duplo Slope Brick 45 2 x 2 x 1 1/2," Lego Part 6474, first produced 1996 according to: <[URL: http://www.peeron.com/inv/parts/6474](http://www.peeron.com/inv/parts/6474)>.

"Slope Brick 45 2 x 1," Lego Part 3040b, first produced 1971 according to: <[URL: http://www.peeron.com/inv/parts/3040b?color=Black](http://www.peeron.com/inv/parts/3040b?color=Black)>.

"Slope Brick 33 3 x 1." Lego Part 4286. first produced 1982 according to: <[URL: http://www.peeron.com/inv/parts/4286](http://www.peeron.com/inv/parts/4286)>.

"Slope Brick 75 2 x 1 x 3," Lego Part 4460, first produced 1984 according to: <[URL: http://www.peeron.com/inv/parts/4460](http://www.peeron.com/inv/parts/4460)>.

"Slope Brick 18 4 x 2," Lego Part 30363, first produced 1999 according to: <[URL: http://www.peeron.com/inv/parts/30363](http://www.peeron.com/inv/parts/30363)>.

"Slope Brick 18 x 4 x 1." Lego Part 60477, first produced 2008 according to: <[URL: http://www.peeron.com/inv/parts/60477](http://www.peeron.com/inv/parts/60477)>.

"Slope Brick 65 2 x 1 x 2," Lego Part 60481, first produced 2008 according to: <[URL: http://www.peeron.com/inv/parts/60481](http://www.peeron.com/inv/parts/60481)>.

"Duplo Slope Brick 40 2 x 3 x 2," Lego Part 63871, first produced 2009 according to <[URL: http://www.peeron.com/inv/parts/63871](http://www.peeron.com/inv/parts/63871)>.

Design U.S. Appl. No. 29/515,647, filed Jan. 26, 2015.

Design U.S. Appl. No. 29/539,011, filed Sep. 10, 2015.

Excerpt of 1997 Mega Bloks Catalog, 3 pages.

Excerpt of 2009 Mega Bloks Catalog, 16 pages.

Excerpt of 2011 Mega Bloks Catalog, 12 pages.

Excerpt of 2012 Mega Bloks Catalog, 22 pages.

Excerpt of 2013 Mega Bloks Catalog, 3 pages.

Final Office Action mailed Jun. 22, 2016 in Design U.S. Appl. No. 29/515,647.

Amendment filed Mar. 21, 2016 in Design U.S. Appl. No. 29/515,647.

Office Action mailed Dec. 4, 2015 in Design U.S. Appl. No. 29/515,645.

Notice of Allowance mailed Nov. 30, 2015 in Design U.S. Appl. No. 29/515,649.

Office Action mailed Dec. 1, 2015 in Design U.S. Appl. No. 29/515,647.

* cited by examiner

Primary Examiner — Cynthia M Chin

(74) *Attorney, Agent, or Firm* — Plumsea Law Group, LLC

(57)

CLAIM

The ornamental design for a construction set element, as shown and described.

DESCRIPTION

FIG. 1 is a top isometric perspective view of a construction set element showing the new design;

FIG. 2 is a front elevational view of the construction set element of FIG. 1;
FIG. 3 is a rear elevational view of the construction set element of FIG. 1;
FIG. 4 is a right side elevational view of the construction set element of FIG. 1;
FIG. 5 is a left side elevational view of the construction set element of FIG. 1;
FIG. 6 is a top plan view of the construction set element of FIG. 1;
FIG. 7 is a bottom plan view of the construction set element of FIG. 1;
FIG. 8 is a front elevational view of the construction set element of FIG. 1, with its circular component in a second position;
FIG. 9 is a front elevational view of the construction set element of FIG. 1, with its circular component in a third position;
FIG. 10 is a front elevational view of the construction set element of FIG. 1, with its circular component in a fourth position;
FIG. 11 is a top isometric perspective view of another embodiment of a construction set element showing the new design;

FIG. 12 is a front elevational view of the construction set element of FIG. 11;
FIG. 13 is a rear elevational view of the construction set element of FIG. 11;
FIG. 14 is a right side elevational view of the construction set element of FIG. 11;
FIG. 15 is a left side elevational view of the construction set element of FIG. 11;
FIG. 16 is a top plan view of the construction set element of FIG. 11;
FIG. 17 is a bottom plan view of the construction set element of FIG. 11;
FIG. 18 is a front elevational view of the construction set element of FIG. 11, with its circular component in a second position;
FIG. 19 is a front elevational view of the construction set element of FIG. 11, with its circular component in a third position; and,
FIG. 20 is a front elevational view of the construction set element of FIG. 11, with its circular component in a fourth position.
The broken lines and unshaded areas form no part of the claimed design.

1 Claim, 20 Drawing Sheets

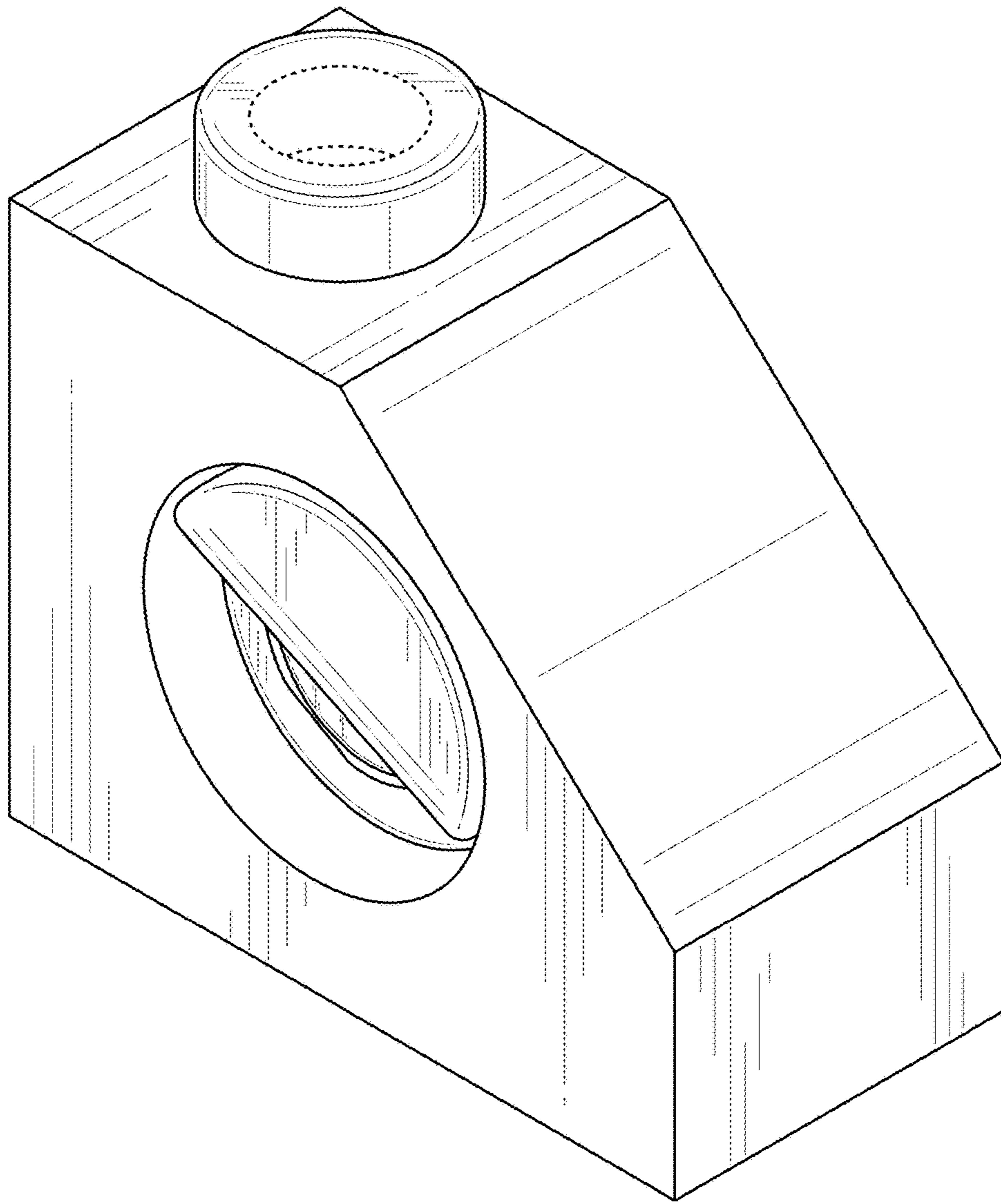


FIG. 1

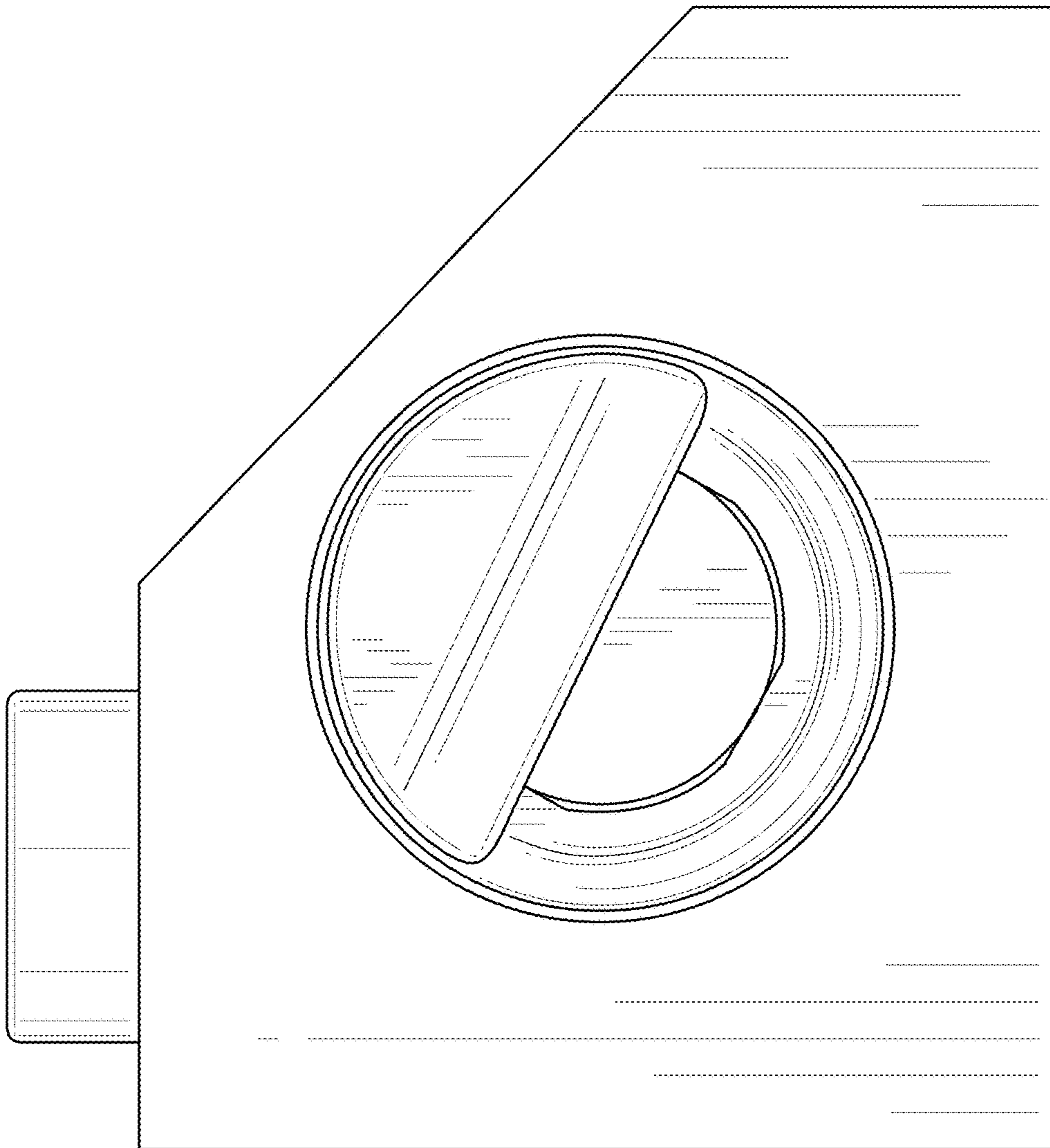


FIG. 2

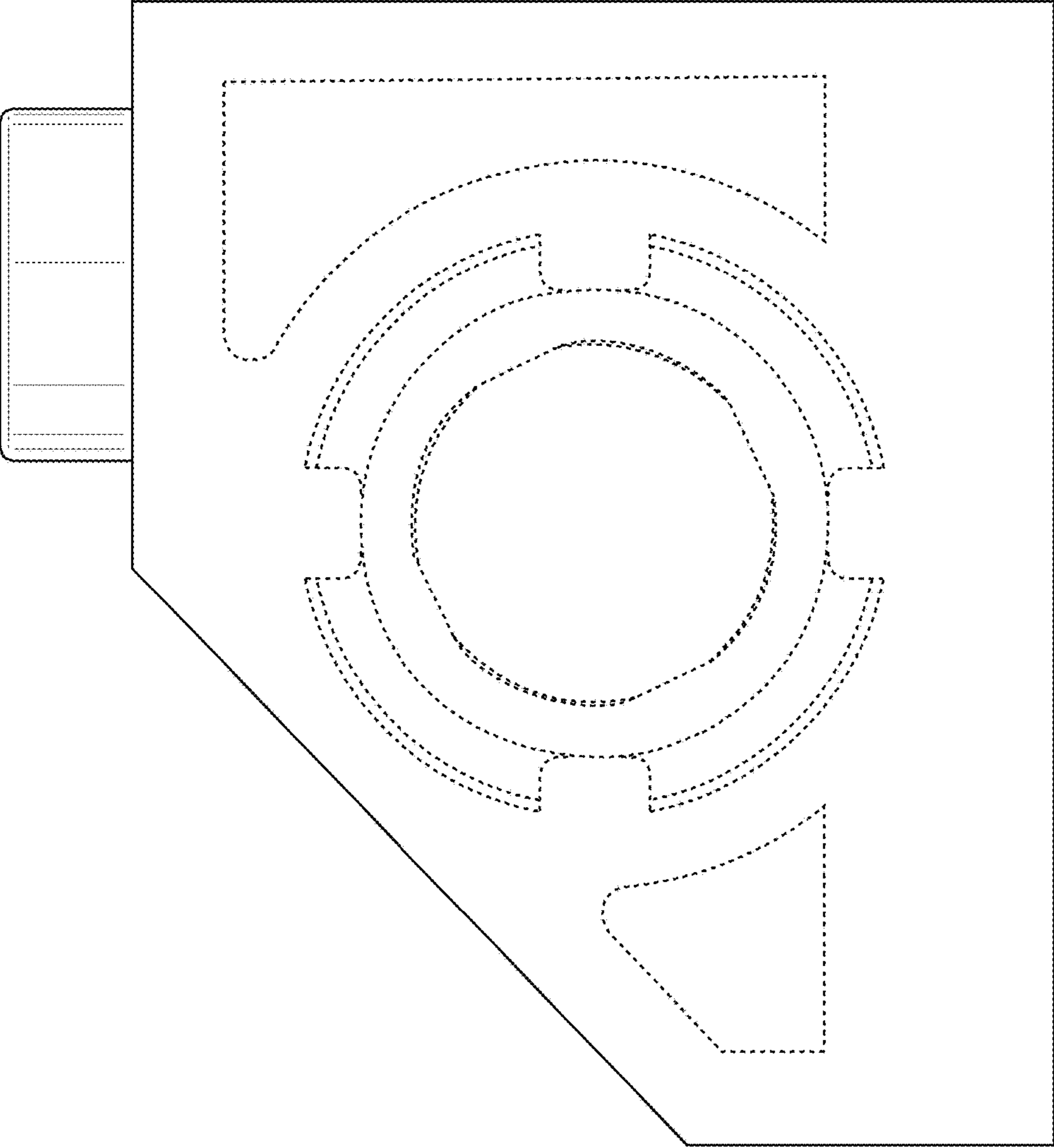


FIG. 3

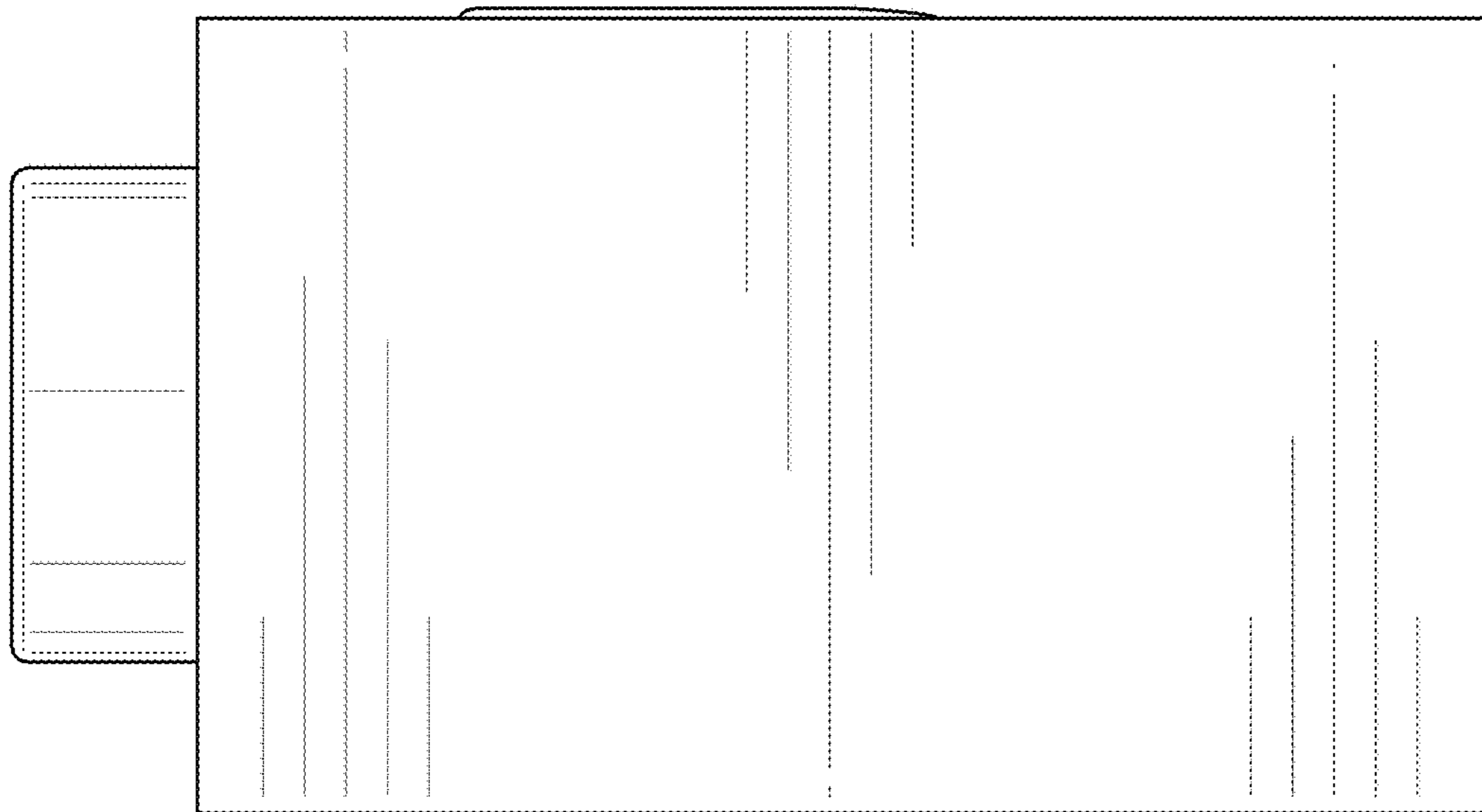


FIG. 4

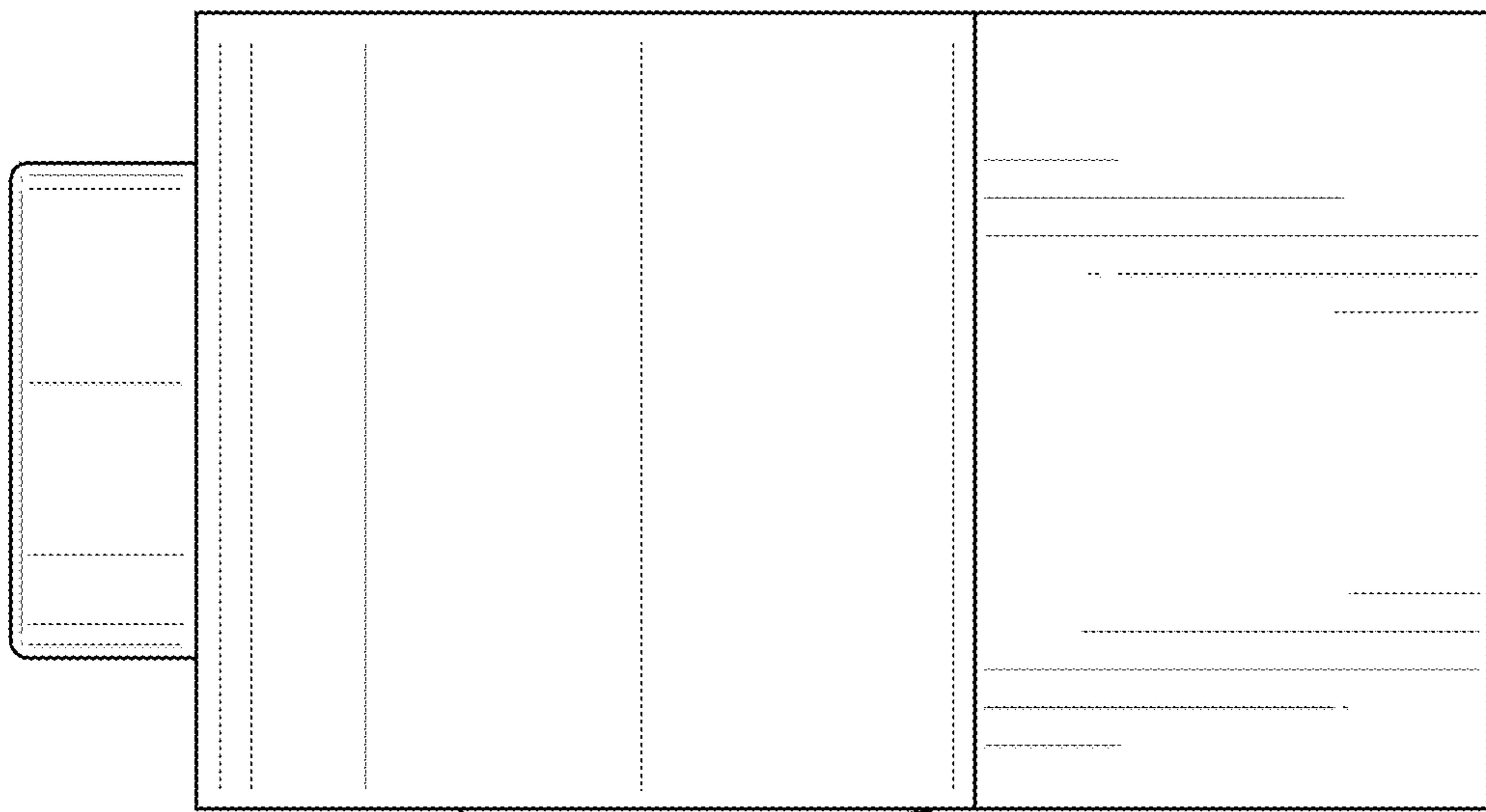


FIG. 5

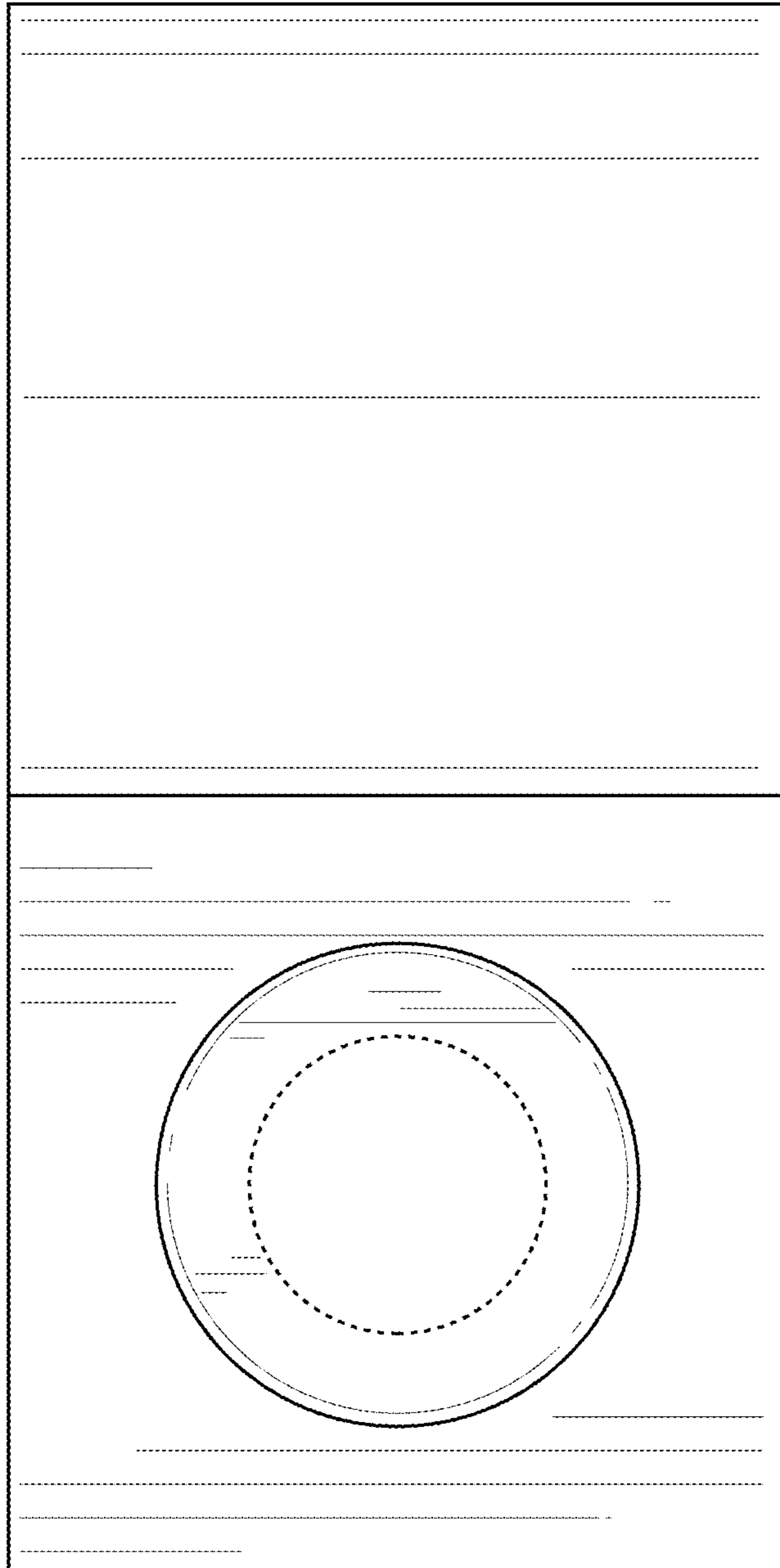


FIG. 6

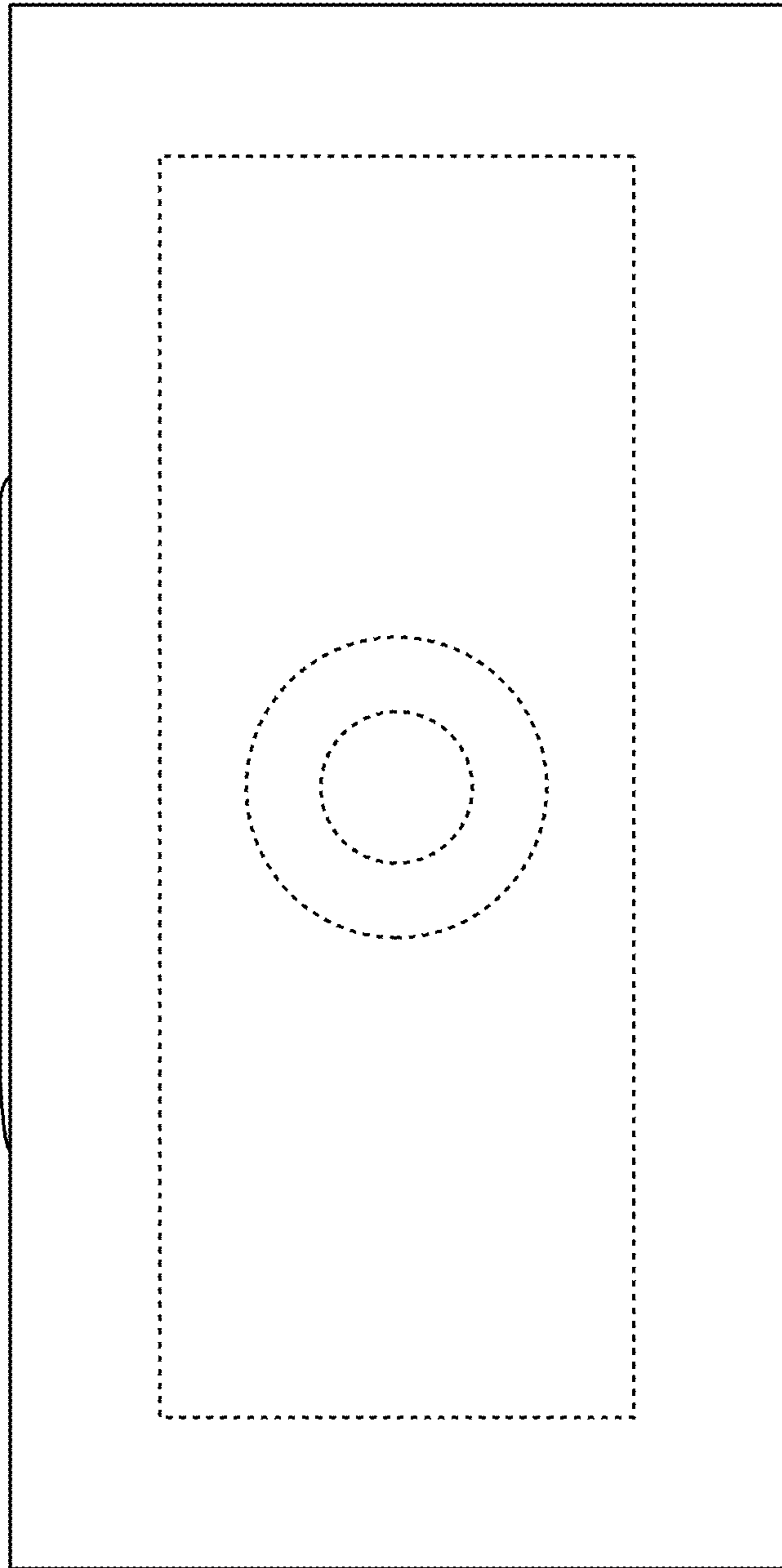


FIG. 7

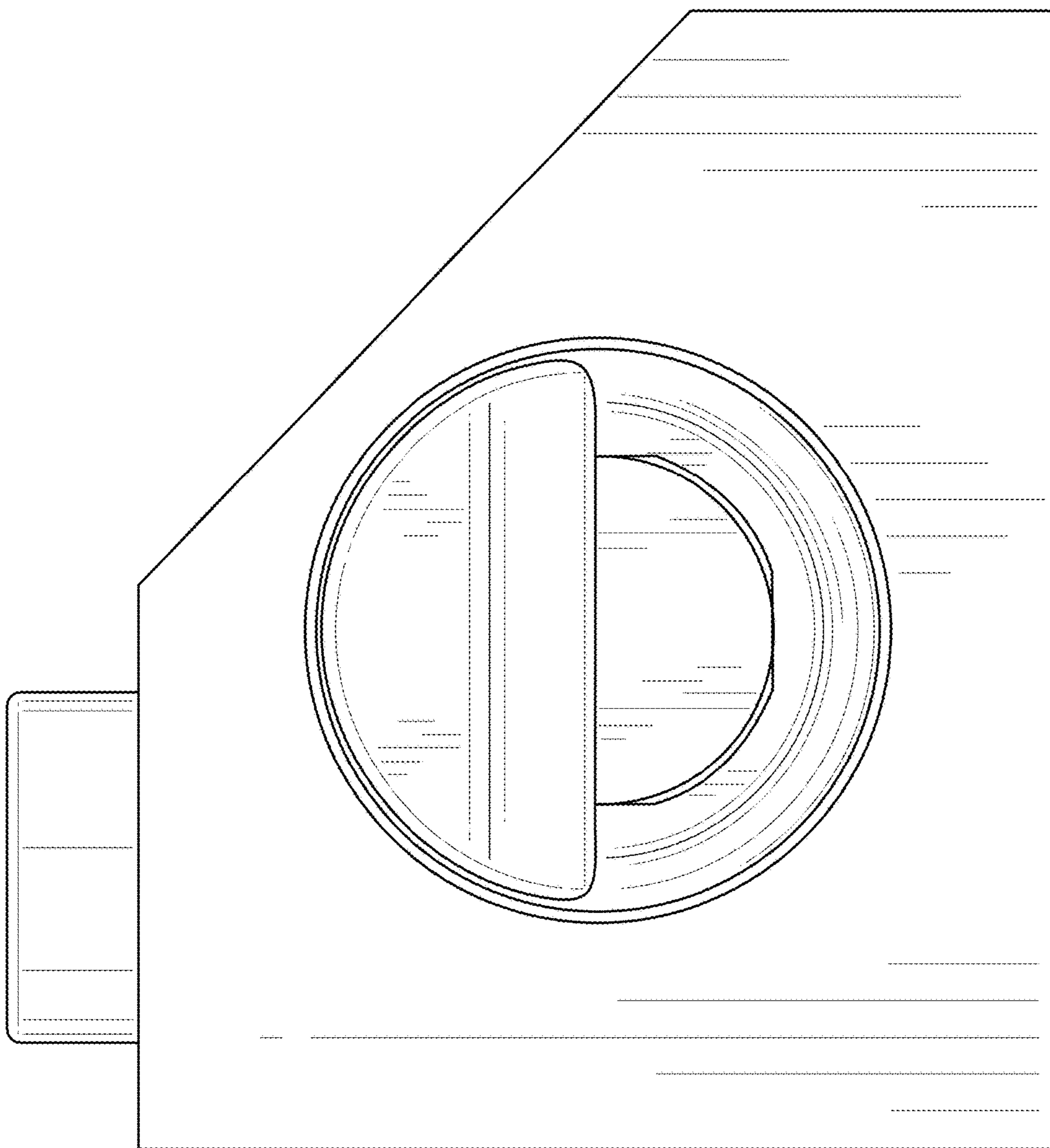


FIG. 8

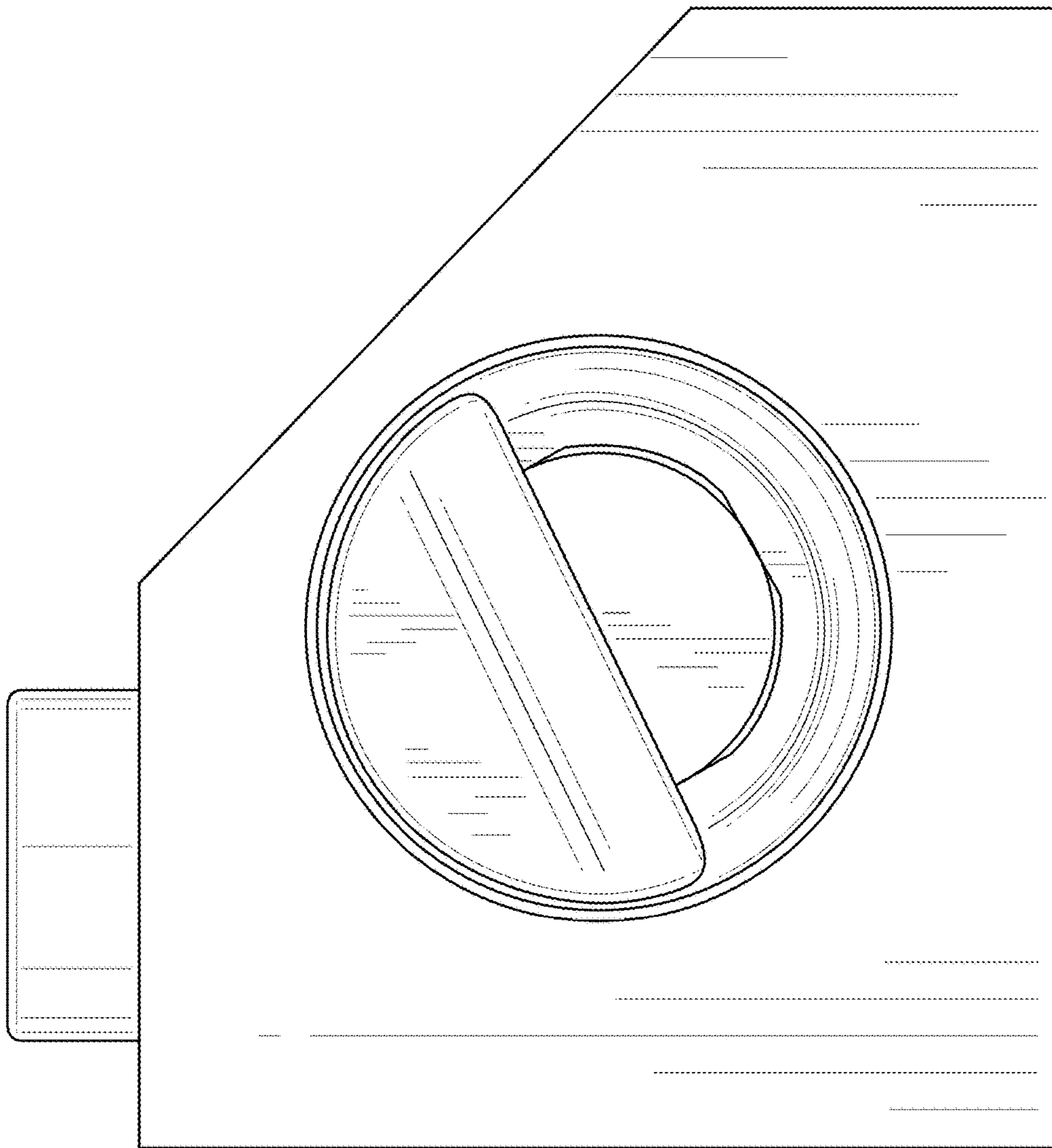


FIG. 9

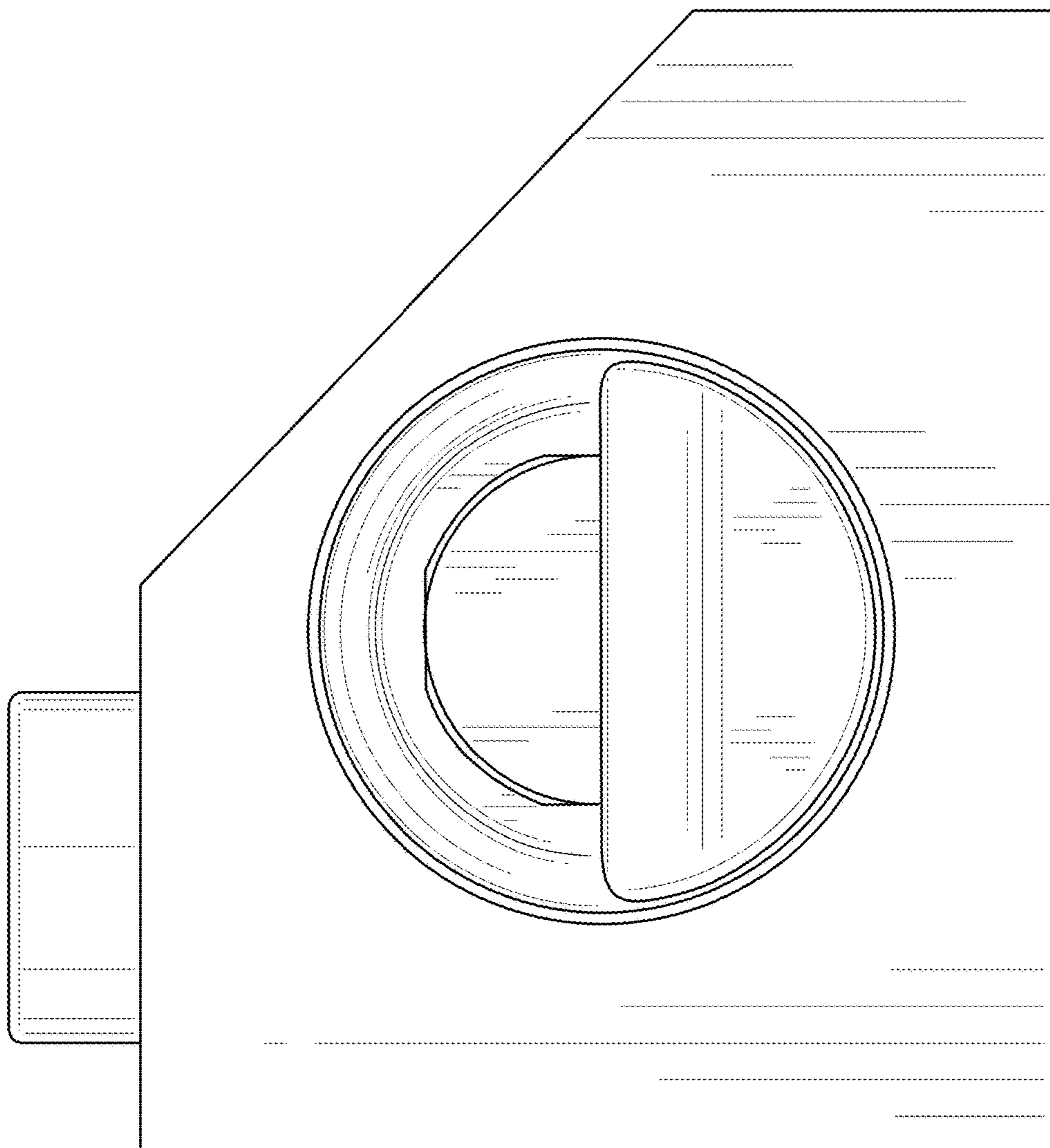


FIG. 10

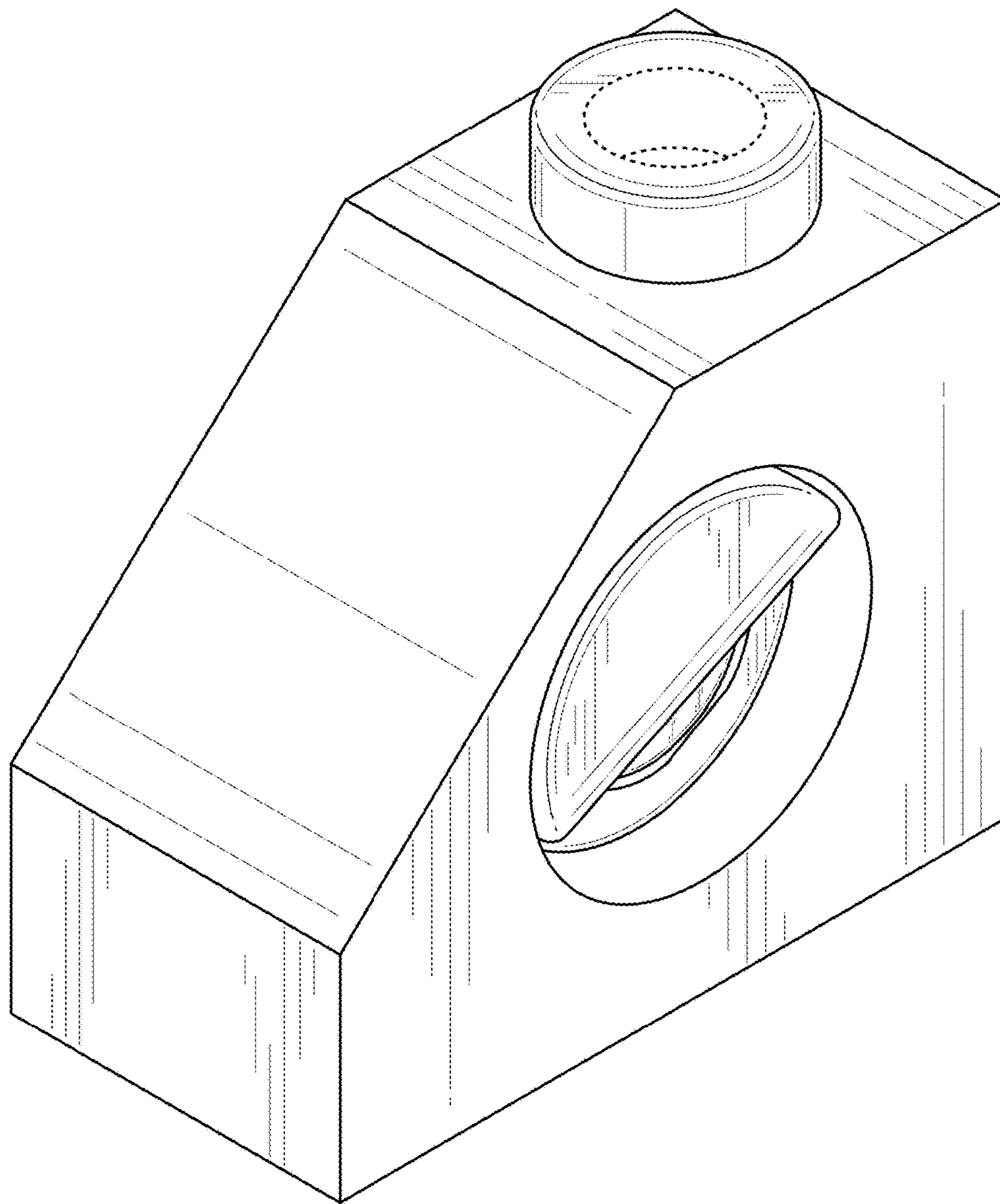


FIG. 11

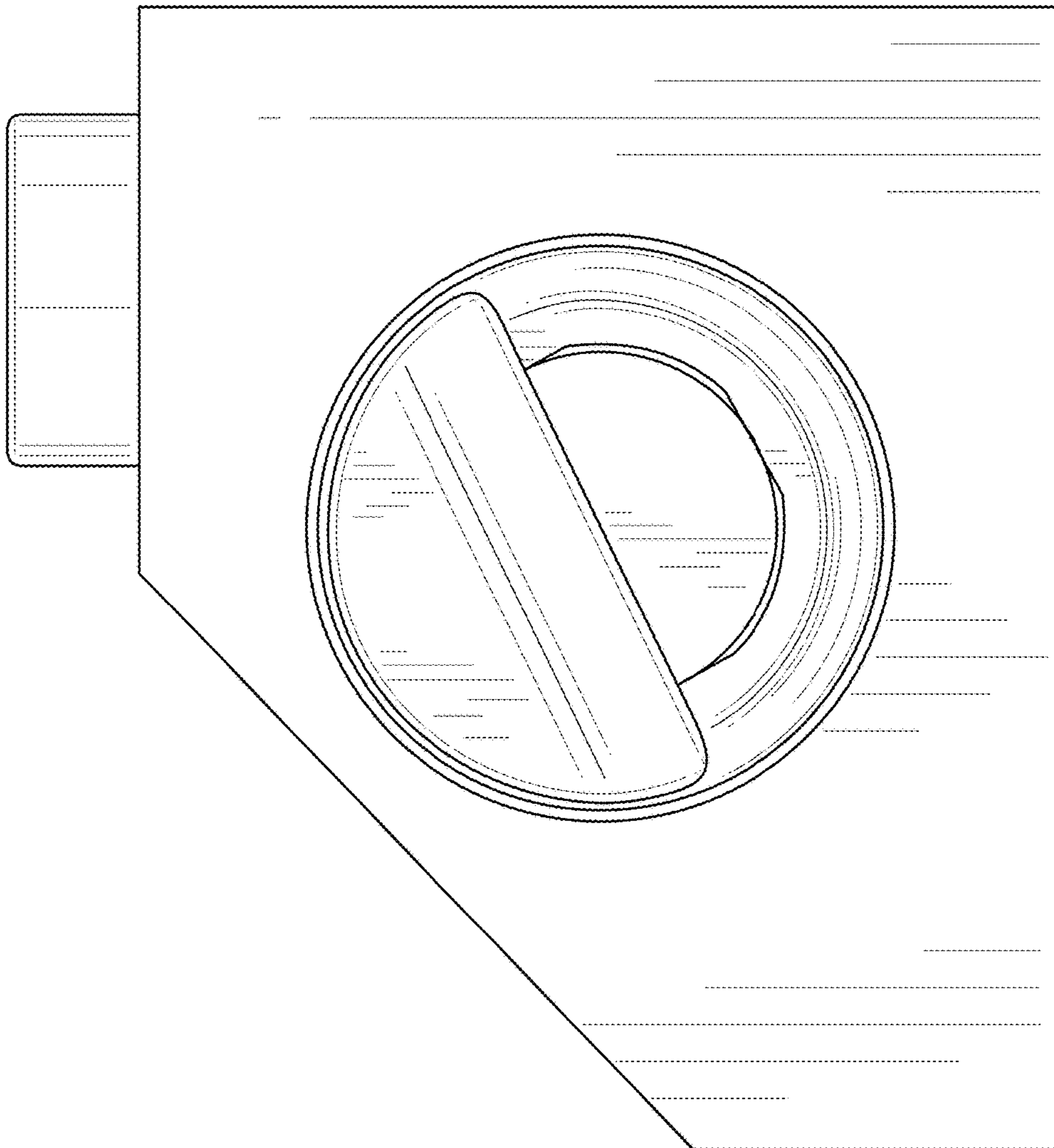


FIG. 12

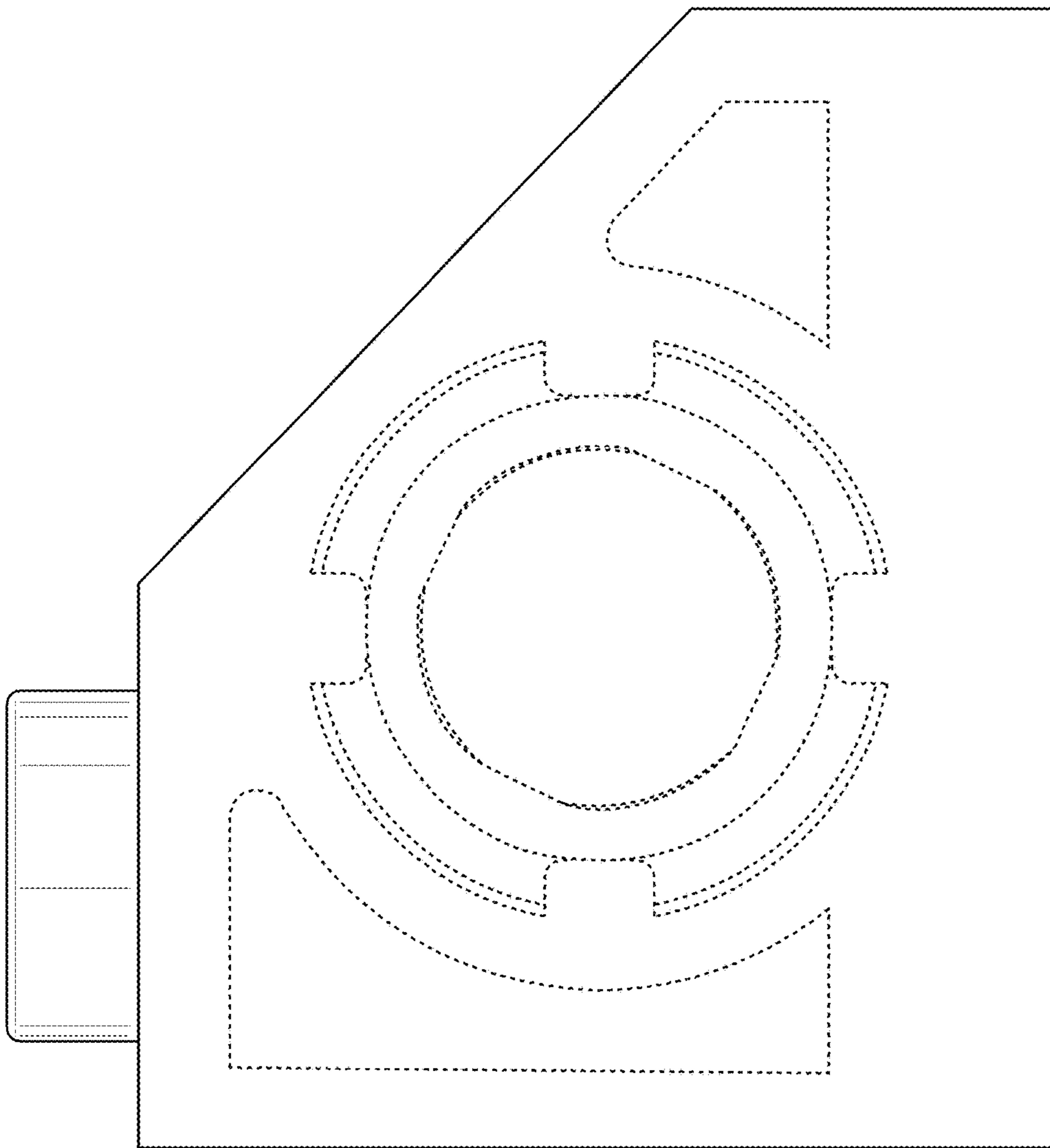


FIG. 13

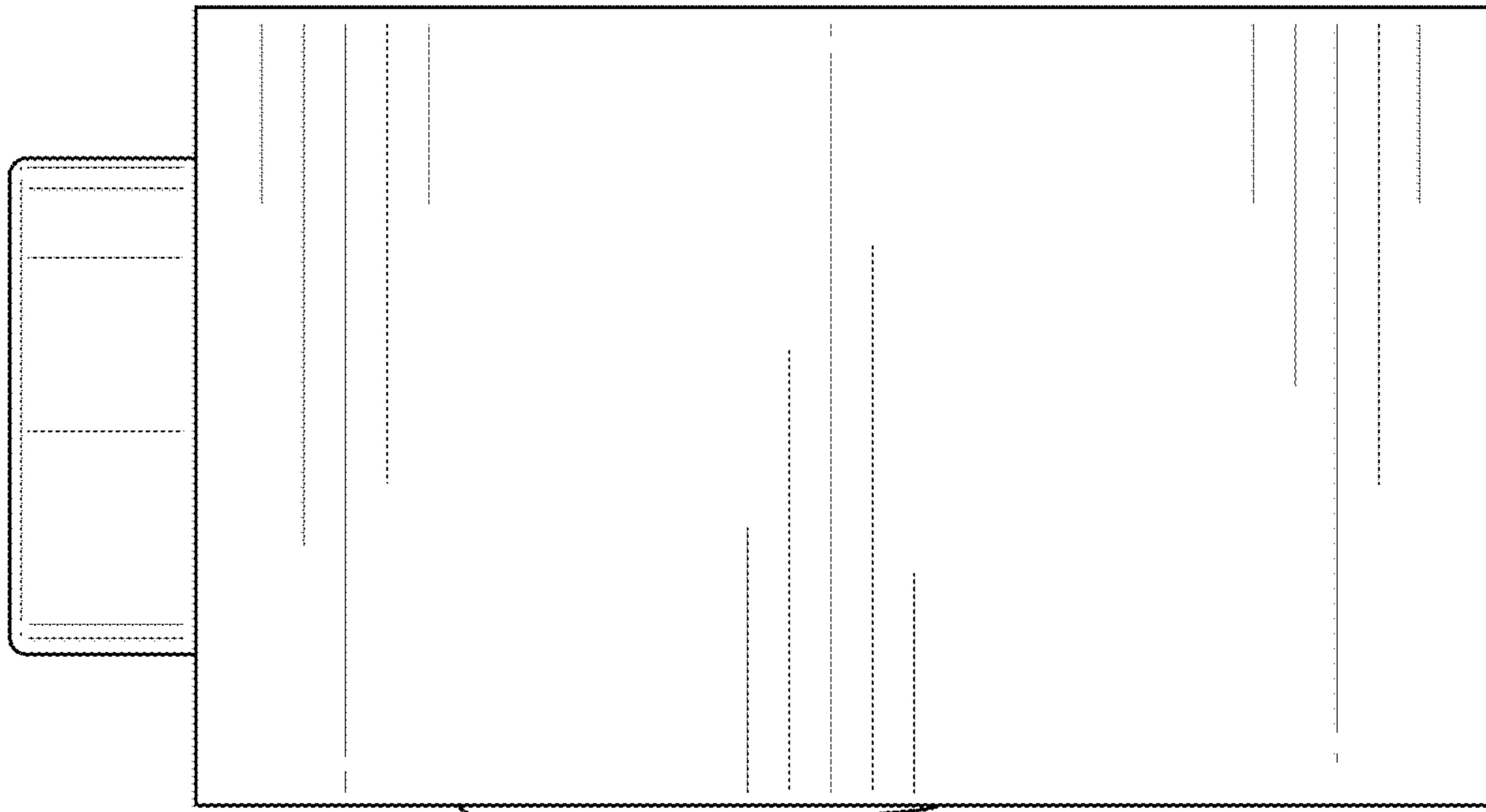


FIG. 14

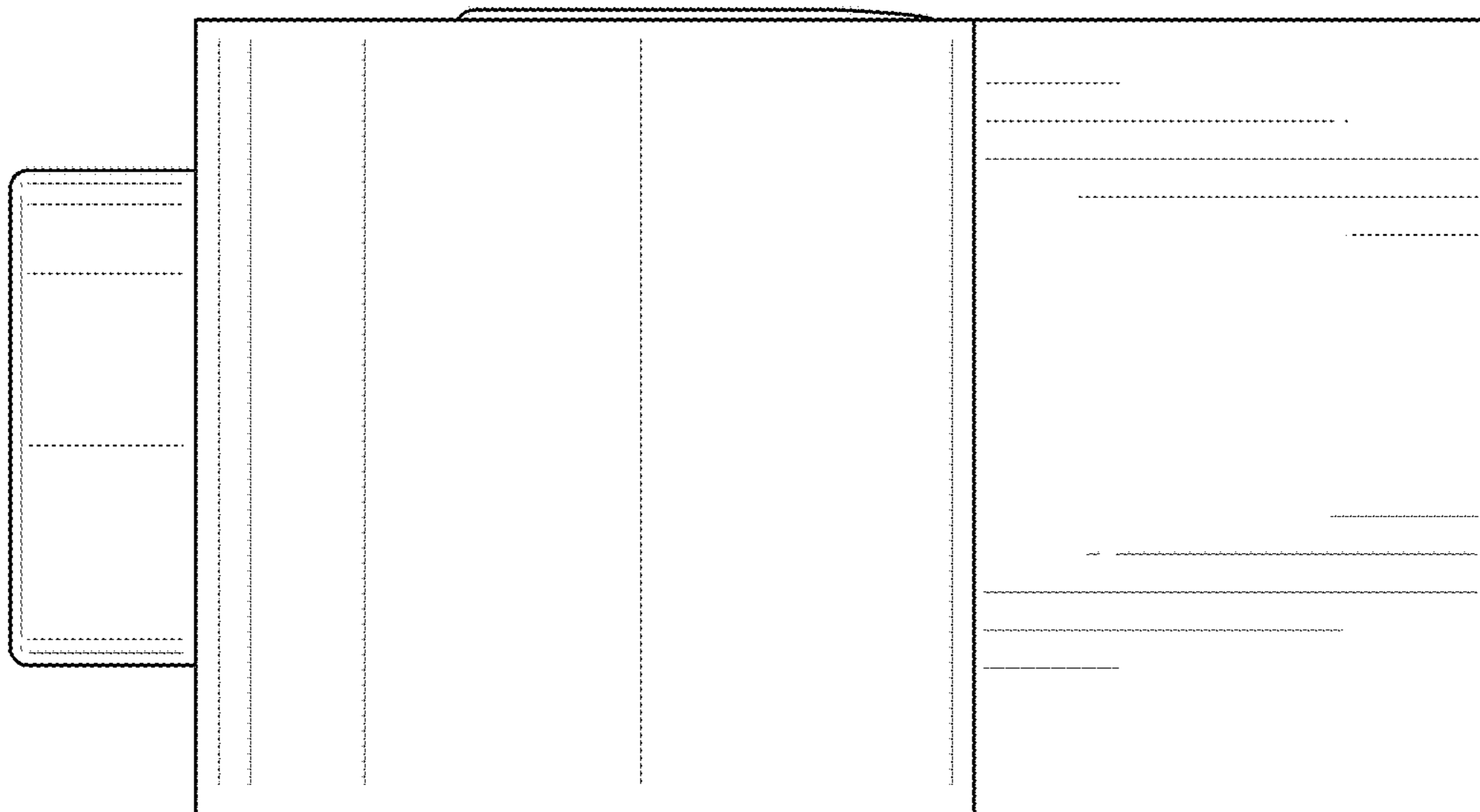


FIG. 15

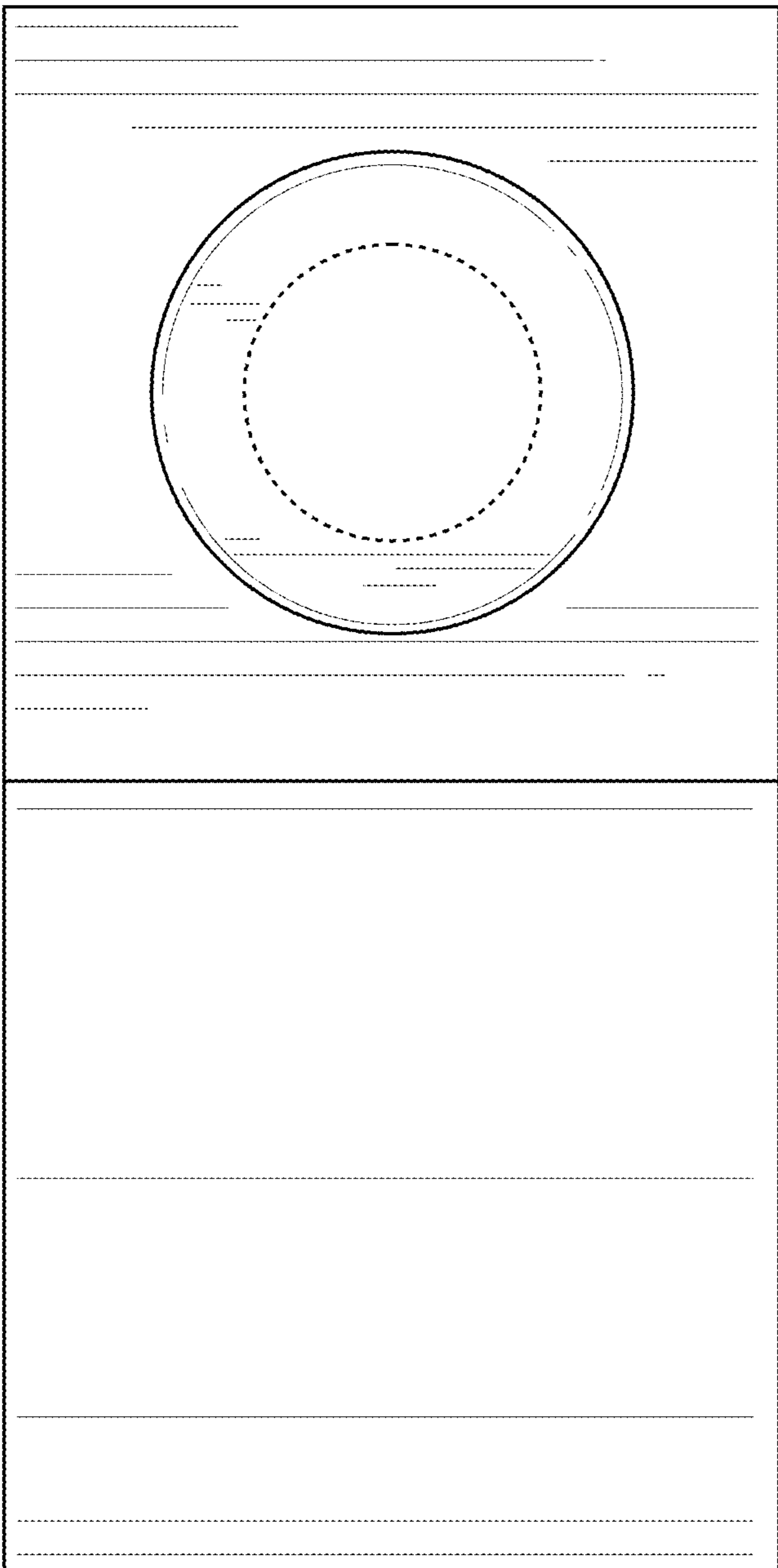


FIG. 16

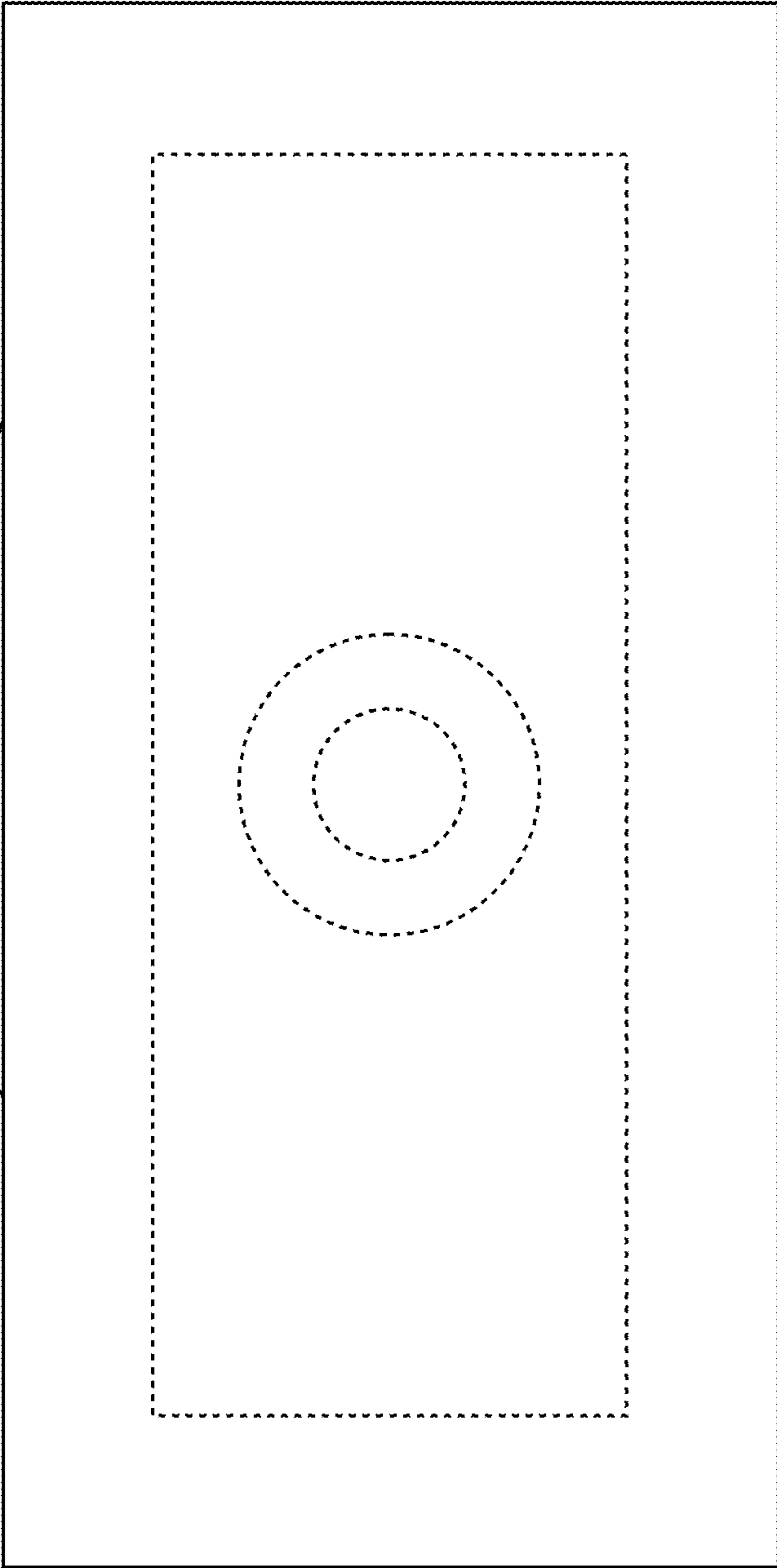


FIG. 17

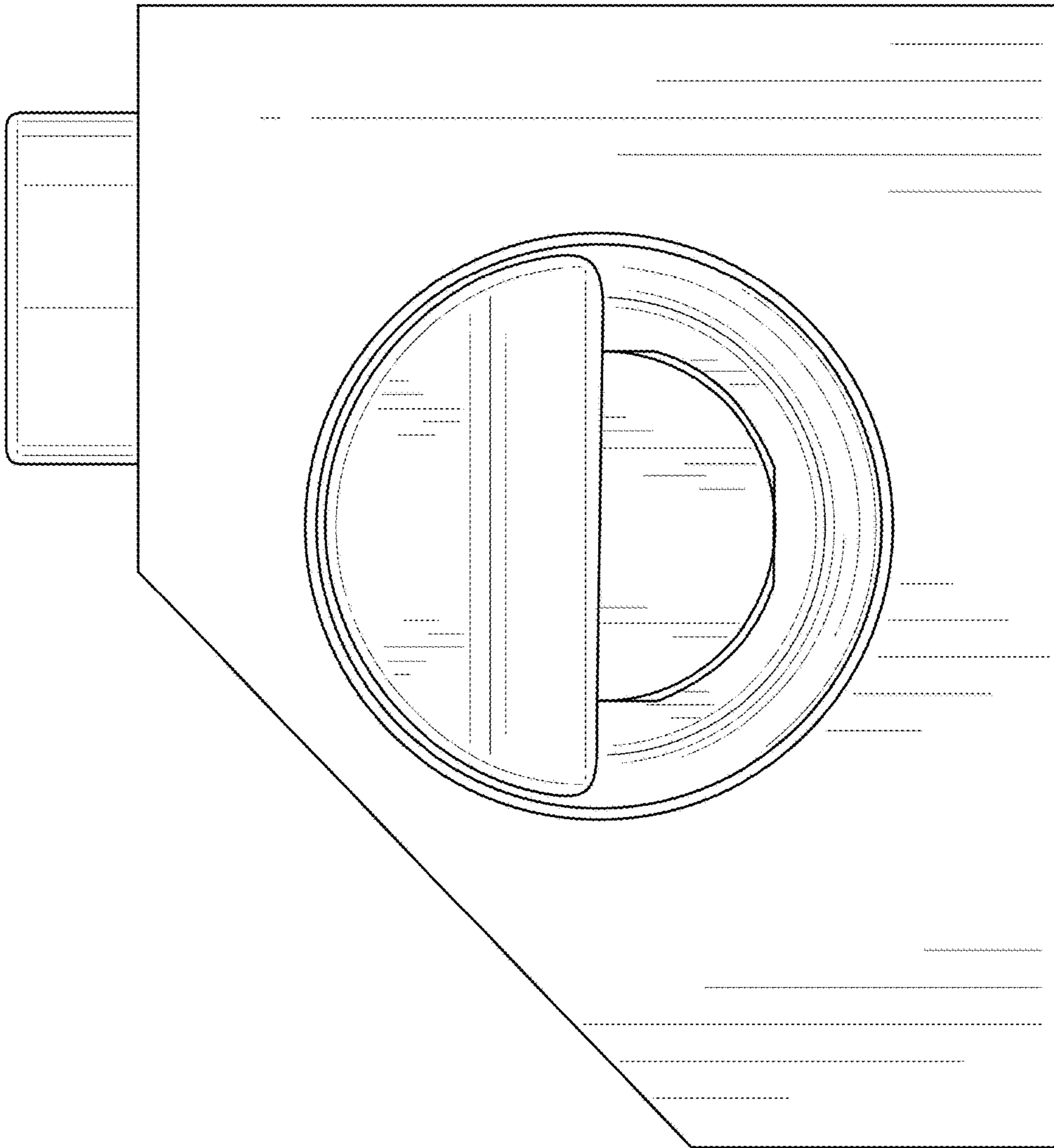


FIG. 18

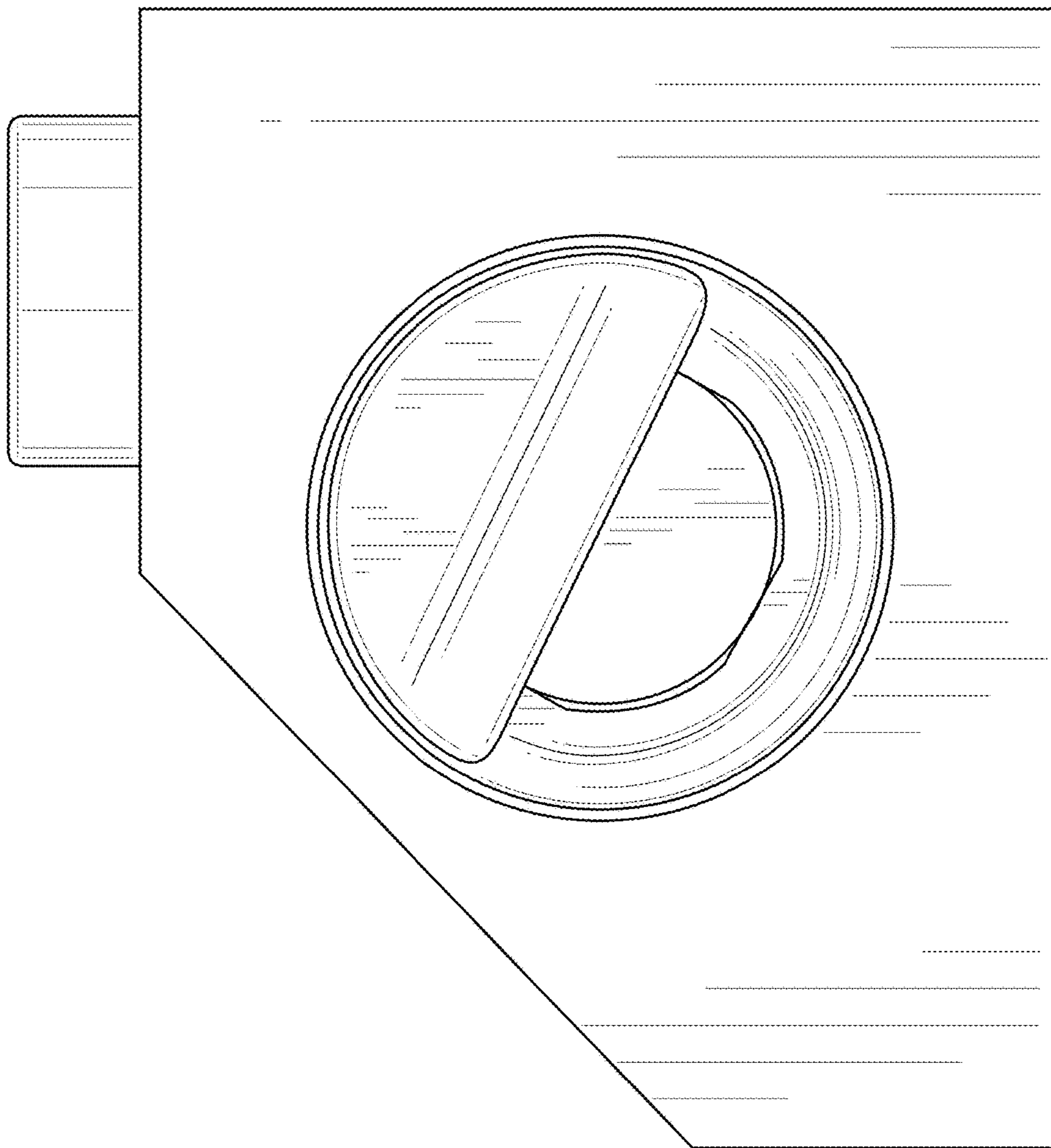


FIG. 19

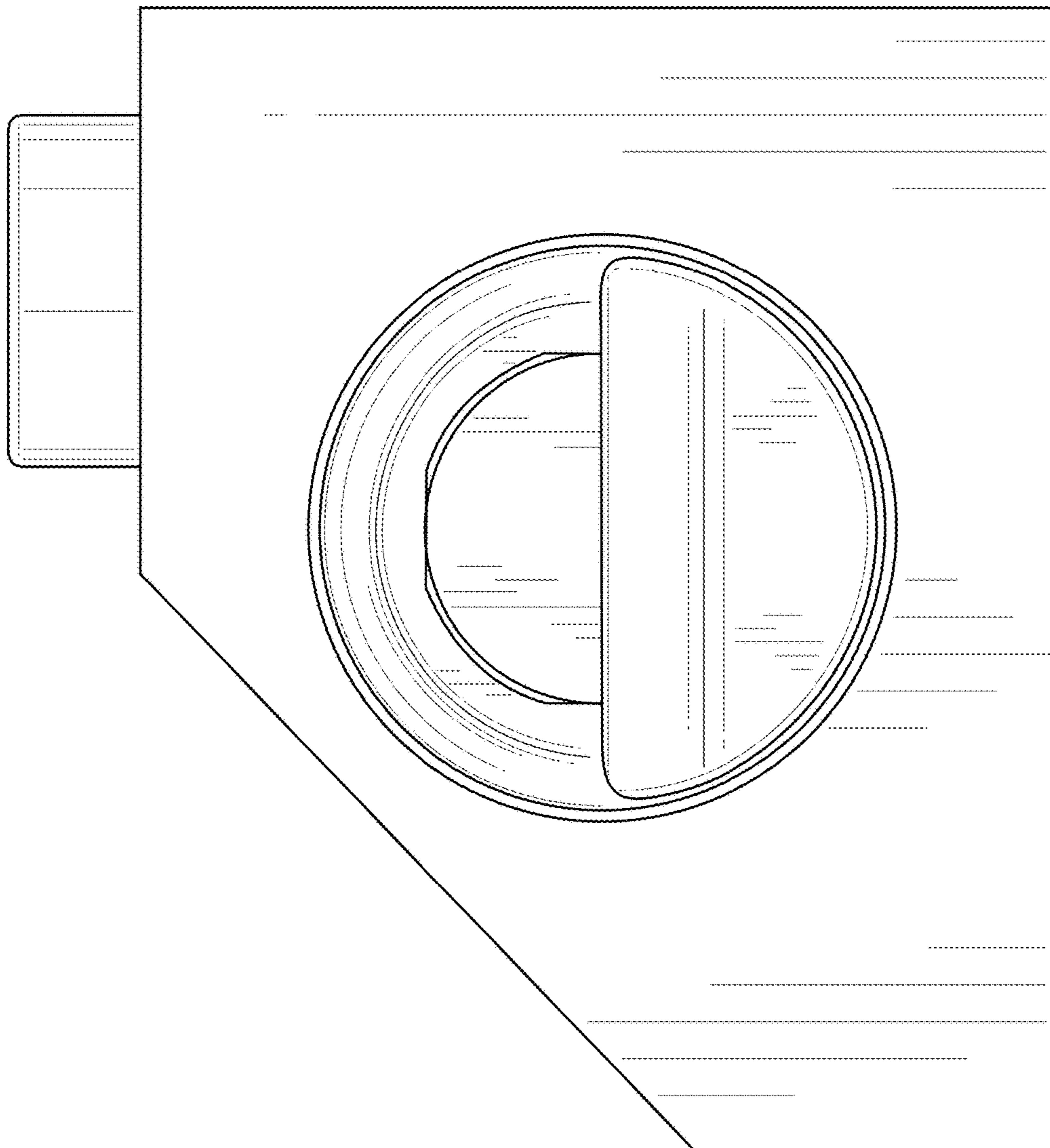


FIG. 20